

## 8" Ceiling Speakers

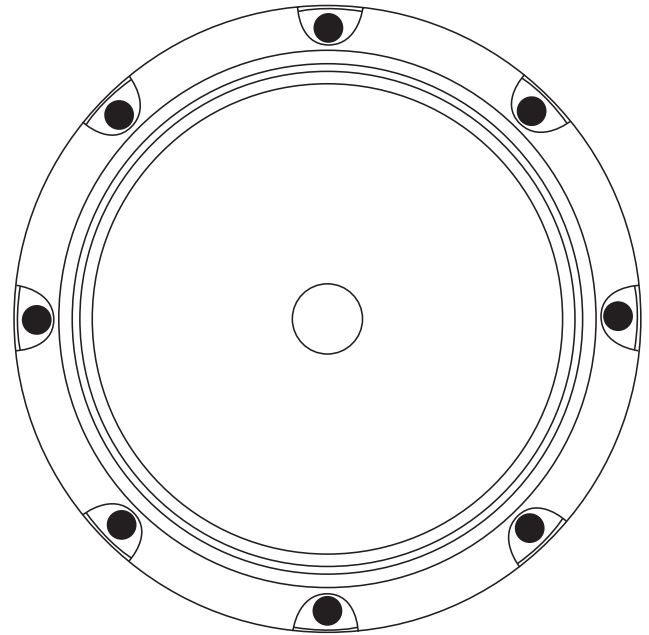
CF108-4T      CF108-4T-71  
CF108-4TWG      CF108-4TWG-71

### FEATURES – THE ALTEC LANSING DIFFERENCE

- Superior entry level 8 inch/ 200 mm loudspeaker
- 8 W EIA / 32 W peak power handling
- Corrosion-resistant frame
- Special moisture resistant cone material
- 4 W 25 V / 70 V factory-mounted < 1 dB insertion loss transformer
- International versions with factory-mounted 70 V/100 V transformers
- The "WG" model comes with factory-installed corrosion-resistant round white metal grille

### GENERAL PRODUCT DESCRIPTION

The Altec Lansing Professional CF108 series is the result of significant research into the applications of speech intelligibility and high fidelity music reproduction. The CF108 speakers are an excellent choice for standard ceiling height applications in educational facilities, shopping malls, restaurants, office buildings and commercial facilities. The moisture resistant 8 inch / 200 mm speaker features a corrosion-resistant speaker frame. To aid in the dispersion of higher frequencies, the loudspeaker employs an acoustically isolated free-edge HF cone. The 4 watt 25 V / 70 V transformer has a low <1 .0 dB insertion loss. Our international versions feature a < 0.6 dB insertion loss 4 W 70 V/100 V transformer. For convenience, the WG version features a factory-installed corrosion-resistant grille.



SPECIFICATION	DIMENSIONS	SHIPPING WEIGHT:
<b>Frequency Response</b> 82 – 17,000 Hz +/- 5dB	<b>CF108-4T/CF108-4T-71</b> Height: 3.31 in (87.5 mm) Diameter: 8.07 in (205 mm)	<b>CF108-4T</b> 3 lbs 15 oz (1.8 kg)
<b>Low frequency limit (-10 dB)</b> 65 Hz	<b>CF108-4TWG/CF108-4TWG-71</b> Height: 3.39 in (88.5 mm) Diameter: 12.87 in (327 mm)	<b>CF108-4TWG</b> 5 lbs 15 oz (2.7 kg)
<b>Power Handling</b> 8 W EIA, 32 W peak	<b>NET WEIGHT</b>	<b>CF108-4T-71</b> 4 lbs 5 oz (2.0 kg)
<b>Sensitivity (SPL - 1 W 1 m)</b> 98 dB	<b>CF108-4T</b> 3 lbs 8 oz (1.6 kg)	<b>CF108-4TWG-71</b> 6 lbs 5 oz (2.9 kg)
<b>Maximum Output (Maximum SPL)</b> 113 dB	<b>CF108-4TWG</b> 4 lbs 12 oz (2.2 kg)	<b>TRANSFORMER:</b>
<b>Magnet Weight</b> 0.63 lb (0.29 kg)	<b>CF108-4T-71</b> 3 lbs 12 oz (1.7 kg)	<b>CF108-4T/CF108-4TWG</b> 4 Watt 25 V/70 V with taps @ 4 W, 2 W, 1 W and 0.5 W
<b>Impedance</b> Nominal - 8 Ohms Minimal - 8.7 Ohms	<b>CF108-4TWG-71</b> 5 lbs (2.3 kg)	<b>CF108-4T-71/CF108-4TWG-71</b> 4 Watt 70 V/100 V with taps @ 4 W, 2 W, 1 W and 0.5 W

## ARCHITECTS & ENGINEERS SPECIFICATION

The loudspeaker shall be an Altec Lansing Professional CF108-4T / CF108-4TWG with an 8 inch (200 mm) full-range speaker with acoustically isolated free-edge HF cone and corrosion-resistant frame. The speaker shall have a power rating of 8 W EIA / 32 W peak. The frequency response shall be 82 to 17,000 Hz +/- 5dB with a sensitivity of 98 dB @ 1 W 1 m. The model numbers shall be Altec Lansing Professional CF108-4T with a 4 Watt 25 V/70 V factory-installed transformer, and a CF108-4TWG with a 4 Watt 25 V/70 V transformer and factory-installed corrosion resistant round, white metal grille. All transformers shall have a low < 1.0 dB insertion loss.

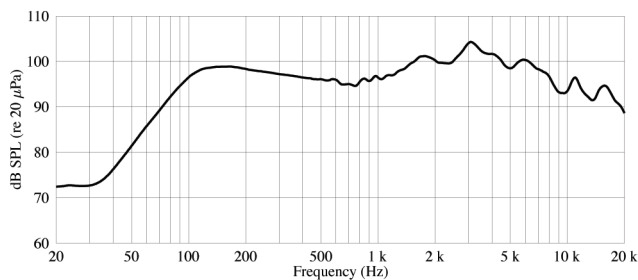
## ENCLOSURES AND BAFFLES

The CF108-series ceiling speakers will fit on standard 8 inch (200 mm) baffles, enclosures and back boxes.

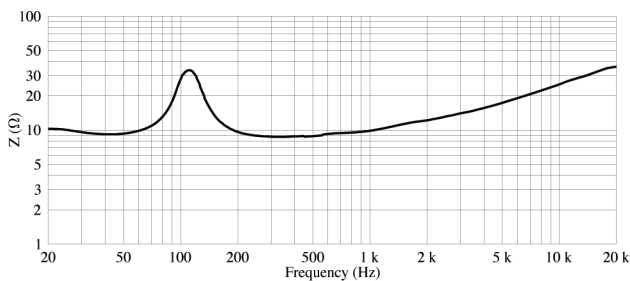
All measurements were made in a standard AES baffle for a 12 inch driver. The driver was housed in a 1.0 ft<sup>3</sup> (0.028 m<sup>3</sup>) enclosure.

Please note that larger volume enclosures will result in altered low frequency performance.

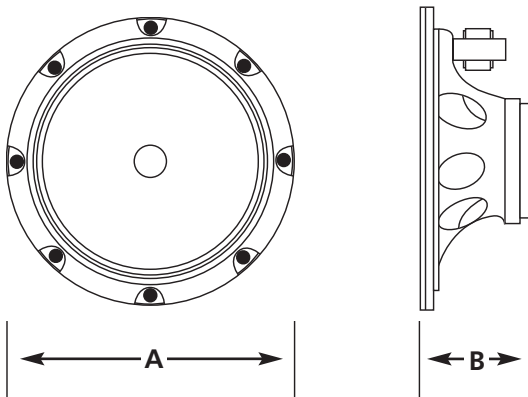
## Frequency Response (1 W 1 m on-axis)



## Impedance



## MOUNTING DIMENSIONS



	A	B
CF108-4T/ CF108-4T71	8.07 in (205 mm)	3.31 in (84 mm)
CF108-4TWG/ CF108-4T71WG	12.87 in (327 mm)	3.39 in (86 mm)

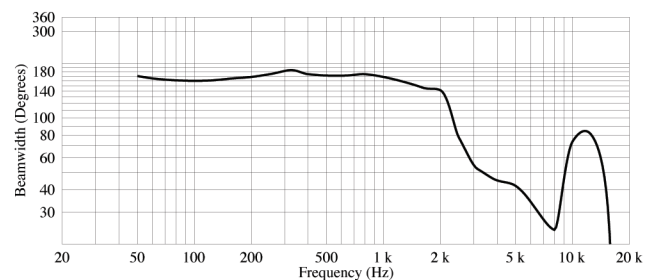
## SAFETY CONSIDERATION

1. Appropriate connectors with suitable ratings must be used to make all installation connections.
2. All unused taps must be insulated with suitable insulation.
3. Transformers and speaker combinations must be supplied by a suitable amplifier incorporating ungrounded outputs only and reinforced insulation (as per IEC60065) from output to mains.

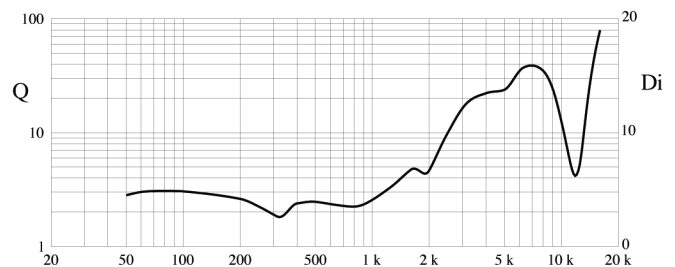
## ACCESSORIES

Altec Lansing recommends use of our 8 inch (200 mm) round and square metal enclosures, grilles and tile bridge. The CF108 Series will also fit on standard industry ceiling speaker hardware.

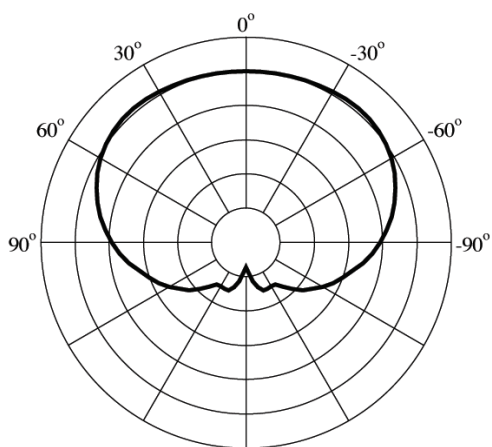
## Beamwidth



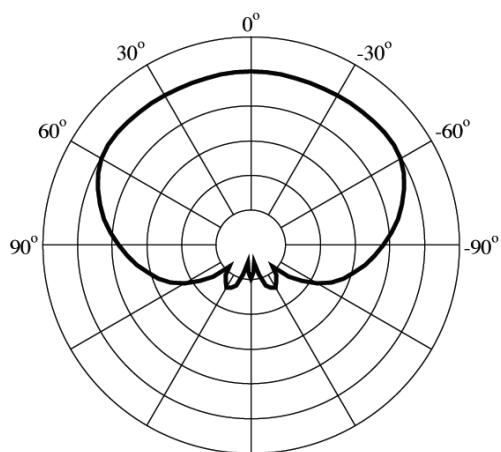
## Q & Directivity Index



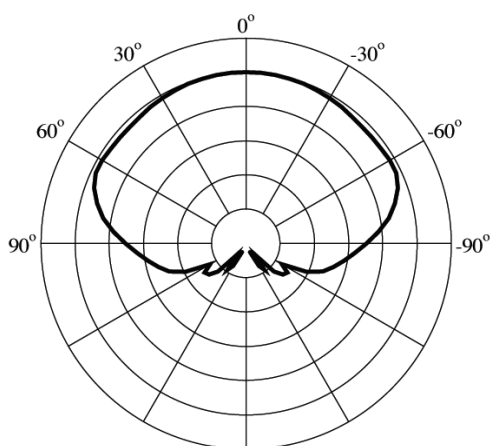
**One Octave Polar Response Charts**  
**6 dB/Division**



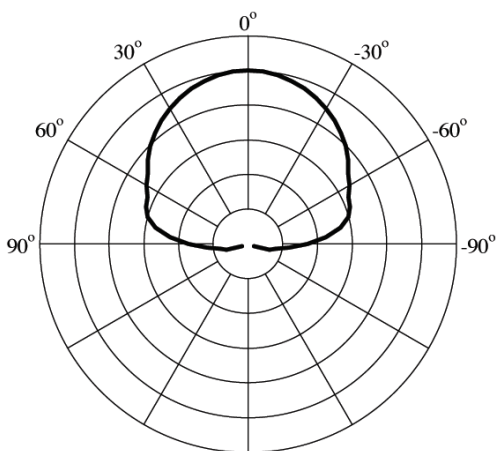
**250 Hz**



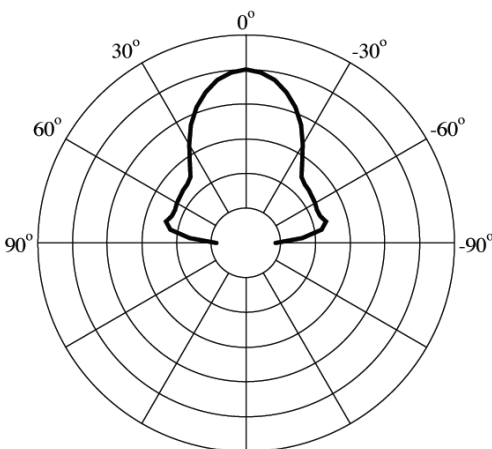
**500 Hz**



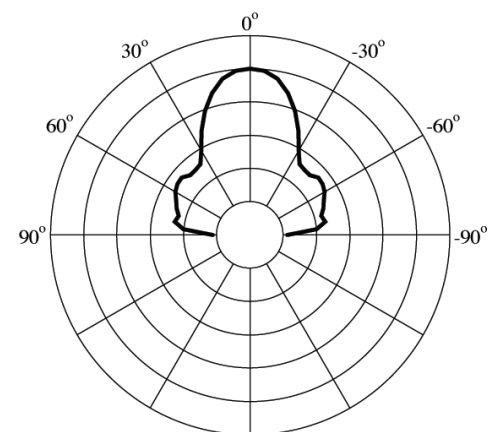
**1 kHz**



**2 kHz**



**4 kHz**



**8 kHz**

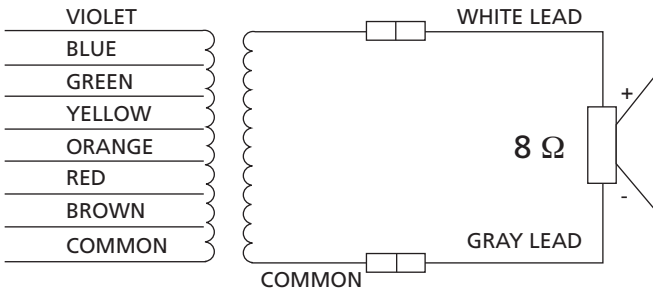
As we are continually striving to improve Altec Lansing products, specifications are subject to change without notice.

TRANSFORMER CHART

CF108

Utility 4 W Transformer (T404-27) Primary Taps	Utility 8 W Transformer (T408-27) Primary Taps	25 V Primary Tap Color Code	70 V Primary Tap Color Code	100 V Primary Tap Color Code
4.0 W	8.0 W	Brown	Yellow	Green
2.0 W	4.0 W	Red	Green	Blue
1.0 W	2.0 W	Orange	Blue	Violet
0.5 W	1.0 W	Yellow	Violet	N/A
Primary Common			Black	

WIRING DIAGRAM (CF108-4T/CF108-4TWG)

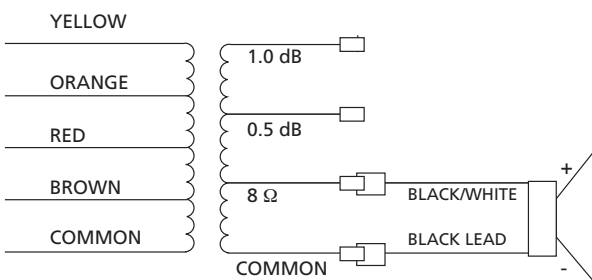


TRANSFORMER CHART

CF108-71

Premium 8 W(T508-71) / 4 W (T504-71) Transformer Primary Tap Color Code	70 V Primary Tap 4 W(T504-71)	100 V Primary Tap 4 W(T504-71)
Black	Common	Common
Brown	4.0 W	N/A
Red	2.0 W	4.0 W
Orange	1.0 W	2.0 W
Yellow	0.5 W	1.0 W

WIRING DIAGRAM (CF108-4T 71/CF108-4TWG-71)



**ALTEC  
LANSING**

PROFESSIONAL

© 2002 Altec Lansing Professional  
1000 W. Wilshire Blvd., Suite 362  
Oklahoma City, Oklahoma 73116

Phone: 1-405-848-3108 • Fax: 1-405-848-3217

Web: [www.altecpro.com](http://www.altecpro.com) • Email: [proinfo@alteclansing.com](mailto:proinfo@alteclansing.com)

## Free Manuals Download Website

<http://myh66.com>

<http://usermanuals.us>

<http://www.somanuals.com>

<http://www.4manuals.cc>

<http://www.manual-lib.com>

<http://www.404manual.com>

<http://www.luxmanual.com>

<http://aubethermostatmanual.com>

Golf course search by state

<http://golfingnear.com>

Email search by domain

<http://emailbydomain.com>

Auto manuals search

<http://auto.somanuals.com>

TV manuals search

<http://tv.somanuals.com>