



ALTEC LANSING

# PT8051

User's guide

Mode d'emploi

Guía del usuario



## **FCC Statement**

This product has been tested and complies with the specifications for a Class B digital device, pursuant to Part 15 of the FCC Rules. These limits are designed to provide reasonable protection against harmful interference in a residential installation. This equipment generates, uses, and can radiate radio frequency energy and, if not installed and used according to the instructions, may cause harmful interference to radio communications. However, there is no guarantee that interference will not occur in a particular installation. If this equipment does cause harmful interference to radio or television reception, which is found by turning the equipment off and on, the user is encouraged to try to correct the interference by one or more of the following measures:

- Reorient or relocate the receiving antenna
- Increase the separation between the equipment or devices
- Connect the equipment to an outlet other than the receiver's
- Consult a dealer or an experienced radio/TV technician for assistance

**Changes or modifications not expressly approved by the party responsible for compliance could void the user's authority to operate the equipment.**

## **FCC Radiation Exposure Statement**

This equipment complies with FCC radiation exposure limits set forth for an uncontrolled environment. This equipment should be installed and operated with minimum distance 20cm between the radiator and your body.

## **Industry Canada (Canada)**

This device complies with Canadian ICES-003 and RSS210 rules. Cet appareil est conforme aux normes NMB-003 et RSS210 d'Industry Canada.



The lightning flash with arrowhead, within an equilateral triangle, is intended to alert the user to the presence of uninsulated "dangerous voltage" within the product's enclosure that may be of sufficient magnitude to constitute a risk of electric shock to persons.



Caution: To prevent the risk of electric shock, do not remove cover (or back). No user-serviceable parts inside. Refer servicing to qualified service personnel.



The exclamation point within an equilateral triangle is intended to alert the user to the presence of important operating and maintenance (servicing) instructions in the literature accompanying the appliance.

## CAUTION

To prevent electric shock do not use this (polarized) plug with an extension cord, receptacle or other outlet unless the blades can be fully inserted to prevent blade exposure.

## WARNING

To reduce the risk of fire or electric shock, do not expose this appliance to rain or moisture.

## IMPORTANT SAFETY INSTRUCTIONS

1. Read these instructions.
2. Keep these instructions.
3. Heed all warnings.
4. Follow all instructions.
5. Do not use this apparatus near water — This apparatus shall not be exposed to dripping or splashing, and no objects filled with liquids, such as vases, shall be placed on the apparatus.
6. Clean only with dry cloth.
7. Do not block any ventilation openings. Install in accordance with the manufacturer's instructions. The apparatus should not be situated on a bed, sofa, rug or similar surface that may block the ventilation openings. The apparatus must not be placed in a built-in installation, such as a closed bookcase or cabinet that may impede the flow of air through the ventilation openings. Ventilation should not be impeded by covering the openings with items such as newspapers, tablecloths, curtains, etc.
8. Do not install near any heat sources such as radiators, heat registers, stoves, or other apparatus (including amplifiers) that produce heat.
9. No naked flame sources, such as lighted candles, should be placed on the apparatus.
10. Do not defeat the safety purpose of the polarized or grounding-type plug. A polarized plug has two blades with one wider than the other. A grounding type plug has two blades and a third grounding prong. The wide blade or the third prong are provided for your safety. If the provided plug does not fit into your outlet, consult an electrician for the replacement of the obsolete outlet.
11. Protect the power cord from being walked on or pinched — particularly at plugs, convenience receptacles, and the point where they exit from the apparatus.
12. Do not install in an area which impedes the access to the power plug. Disconnecting the power plug is the only way to completely remove power to the product and must be readily accessible at all times.
13. Power source — Use only power supplies of the type specified in the operating instructions or as marked on the appliance. If a separate power supply is included with this apparatus, do not substitute with any other power supply — use only manufacturer-provided power supplies.
14. Unplug this apparatus during lightning storms or when unused for long periods of time.
15. Refer all servicing to qualified service personnel. Servicing is required when the apparatus has been damaged in any way, such as power-supply cord or plug is damaged, liquid has been spilled or objects have fallen into the apparatus, the apparatus has been exposed to rain or moisture, does not operate normally, or has been dropped. For service, refer to qualified service personnel, return to the dealer, or call the Altec Lansing service line for assistance.
16. For products which incorporate batteries, please refer to local regulations for proper battery disposal.
17. Only use attachments/accessories specified by the manufacturer.
18. Use only with the cart, stand, tripod, bracket, or table specified by the manufacturer or sold with the apparatus. When a cart is used, use caution when moving the cart/ apparatus combination to avoid injury from tip-over.



## Altec Lansing One Year Limited Warranty (Two-Year Limited Warranty in the European Union and Asia)

**What Does The Warranty Cover?:** Altec Lansing warrants that its products shall be free from defects in materials or workmanship, with the exceptions stated below.

**What Is The Period Of Coverage?:** For units purchased in European Union or Asia, this warranty runs for two years from the date of purchase. For units not purchased in Europe or Asia, this warranty runs for one year from the date of purchase. The term of any warranties implied by law shall expire when your limited warranty expires. Some states and/or Member States in the European Union do not allow limitations on how long an implied warranty lasts, so the above limitation may not apply to you.

**What Does The Warranty Not Cover?:** This warranty does not cover any defect, malfunction or failure that occurs as a result of: improper installation; misuse or failure to follow the product directions; abuse; or use with improper, unintended or faulty equipment. (For information on proper installation, operation and use consult the manual supplied with the product. If you require a replacement manual, you may download a manual from [www.alteclansing.com](http://www.alteclansing.com).) Also, consequential and incidental damages are not recoverable under this warranty. Some states do not allow the exclusion or limitation of incidental or consequential damages, so the above limitation or exclusion may not apply to you.

**What Will Altec Lansing Do To Correct The Problem?:** Altec Lansing will, at its option, repair or replace any product that proves to be defective in material or workmanship. If your product is no longer being manufactured, or is out of stock, at its option, Altec Lansing may replace your product with a similar or better Altec Lansing product.

**How To Get Warranty Service:** To get a covered product repaired or replaced, you must contact Altec Lansing during the warranty period by email ([csupport@alteclansing.com](mailto:csupport@alteclansing.com)). You must include in your email, your name, address, email address, telephone number, date of purchase and a complete description of the problem you are experiencing. In the United States, you may alternatively contact Altec Lansing by telephone at 1-800-ALTEC88 — please be prepared to provide the same information. If the problem appears to be related to a defect in material or workmanship, Altec Lansing will provide you a return authorization and instructions for return shipment. Return shipments shall be at the customer's expense, and the return must be accompanied by the original proof of purchase. You should insure the shipment as appropriate because you are responsible for the product until it arrives at Altec Lansing.

**How Will State Law Affect Your Rights?:** This warranty gives you specific legal rights, and you may also have other rights which vary from state to state. Please note that in the European Union, you as a consumer might have other legal rights under national legislation of European Union Member States governing the sale of Altec Lansing's goods. Those rights are not affected by this guarantee.

The above limited warranties and remedies are sole warranties and remedies available to purchaser, if, and to the extent, valid and enforceable under the applicable law.

## Customer Service

The answers to most setup and performance questions can be found in the Troubleshooting guide. You can also consult the FAQs in the customer support section of our Web site at [www.alteclansing.com](http://www.alteclansing.com). If you live in North America and still can't find the information you need, please call our customer service team for assistance before returning the speakers to your retailer under their return policy.

Tel: 800-258-3288

Email: [csupport@alteclansing.com](mailto:csupport@alteclansing.com)

If you live outside of North America, please visit our website at [www.alteclansing.com](http://www.alteclansing.com) and select your region to locate your country's distributor.

For the most up-to-date information, be sure to check our Web site at [www.alteclansing.com](http://www.alteclansing.com).

## International Distribution

International customers: For information regarding the distribution of Altec Lansing products in your country, please visit [www.alteclansing.com](http://www.alteclansing.com) and click on your region.

## Disposal of Old Electrical & Electronic Equipment



This symbol on the product or on its packaging indicates that this product shall not be treated as household waste. Instead it shall be handed over to the applicable collection point for the recycling of electrical and electronic equipment. By ensuring this product is disposed of correctly, you will help prevent potential negative consequences for the environment and human health, which could otherwise be caused by inappropriate waste handling of this product. The recycling of materials will help to conserve natural resources. For more detailed information about recycling of this product, please contact your local city office or your household waste disposal service.

# PT8051 Surround Sound System

Thank you for purchasing the Altec Lansing PT8051 Wireless Surround Sound System.

The PT8051 is designed to replace the traditional A/V receiver and separate speakers and provide a complete, multi-channel surround system sound from just two components using DTS and Dolby Digital decoding to faithfully reproduce your favorite music and movie soundtracks. The PT8051 system's NXT Digital flat-panel driver technology accurately reproduces the full frequency range and delivers all the subtleties and spatial depth that today's digital formats are capable of. In addition, the PT8051's advanced wireless transmission means it's easy to experience theater quality surround effects without the need to run wires to the rear speakers.

The PT8051's design is well suited for use with today's large format LCD and plasma flat panel displays and both components can be wall mounted with them using the supplied brackets. A universal remote control is included that allows you to consolidate remote controls from various devices such as your TV, DVD player and VCR.

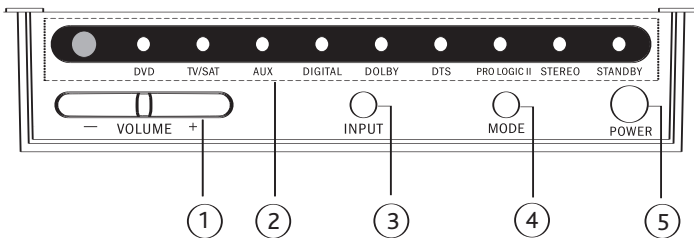
## Contents

Refer to the PT8051 Quick Connect Card to identify these items.

- PT8051 main and rear surround units
- Remote control and batteries
- A/V Cable
- Wall mount bracket (hardware not included)
- User's guide and quick connect instructions

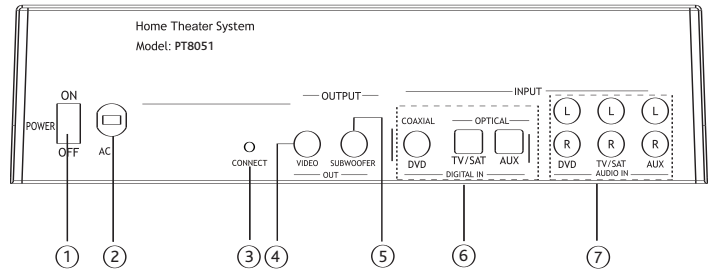
## Controls and Connections for Your PT8051

### Front Panel (Main Unit)



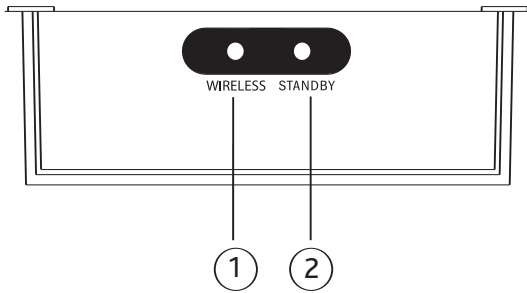
1. VOLUME +/-	Controls the volume level of all audio channels.
2. LEDs	Displays information about the operational status.
3. INPUT	Press to switch between input sources (DVD, TV/SAT, AUX, DVD digital, TV/SAT digital or AUX digital).
4. MODE	Press to select the surround (DOLBY, DTS or PRO LOGIC II) or stereo (STEREO) mode.
5. POWER	Press to power on the system or switch to standby.

### Rear Panel (Main Unit)



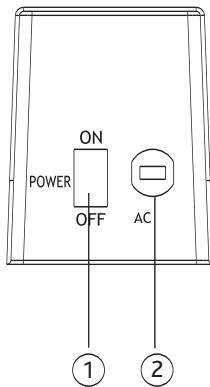
1. Power ON/OFF	Switches power on or off.
2. AC Power Cord	Connect to standard AC outlet. Refer to frequency and voltage range for Power Source as indicated on rear panel.
3. CONNECT	Press this button to manually synchronize the wireless audio link between the main and rear surround units. Under most circumstances it is not necessary to use this button as the units automatically synchronize when powered on.
4. VIDEO OUT	Used to display on-screen display information. Connect to composite video input of TV.
5. SUBWOOFER OUT	Use to connect an optional subwoofer if additional bass is required from the system.
6. DIGITAL INPUT: COAXIAL (DVD IN)	Use to connect a DVD player that has a coaxial digital output.
OPTICAL (TV/SAT IN)	Use to connect a digital satellite tuner or cable TV tuner that has an optical audio output.
OPTICAL (AUX IN)	Use to connect to an auxiliary sound source such as a PVR or second TV tuner that has an optical audio output. Can also be used to connect a DVD player that has an optical output but not a coaxial output.
7. AUDIO ANALOG INPUT: DVD IN	Use to connect to a DVD player with audio analog output.
TV/SAT IN	Use to connect to a TV or satellite tuner with audio analog output.

### Front Panel (Rear Surround Unit)



<p>1. WIRELESS</p>	<p>Illuminates in a steady state when the main and rear surround speakers are synchronized to indicate the wireless audio link is operating normally. Synchronization between the main and rear units will occur automatically when main unit is powered on provided the rear surround unit's power switch on the rear panel is in the on position. Flashes when the wireless connection between the main and rear surround speaker has become unsynchronized. To manually resynchronize the main and rear surround units press the CONNECT button on the rear panel of the main unit.</p>
<p>2. STANDBY</p>	<p>Illuminates when unit is plugged in and the POWER ON/OFF switch on the rear panel is in the ON position. This light will automatically switch from red to green once the main unit has been powered up.</p>

### Rear Panel (Rear Surround Unit)

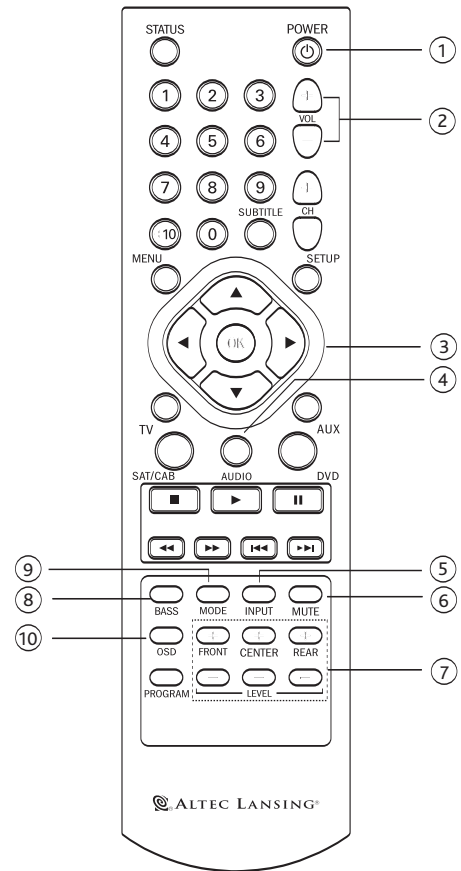


<p>1. Power ON/OFF</p>	<p>Switches power on or off.</p>
<p>2. AC Power Cord</p>	<p>Connect to standard AC outlet. Refer to frequency and voltage range for Power Source as indicated on rear panel.</p>

### Remote Control

This section describes the function of each control on the remote control used to control the PT8051.

Note: You can also control other components using the remote control once you set the appropriate remote control codes. See the "Programming device remote control codes" section of this manual.



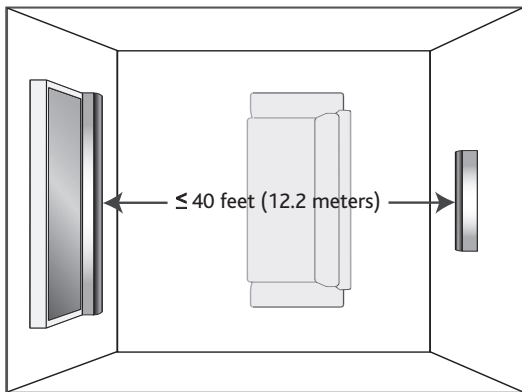
<p>1. POWER</p>	<p>Use to toggle between On and Standby modes.</p>
<p>2. VOL +/-</p>	<p>Increases or decreases the overall volume level of the unit.</p>
<p>3. ◀ ▶ ▲ ▼ and OK</p>	<p>Move to highlight items in the on-screen display (OSD) setup menu. Press OK to confirm.</p>
<p>4. AUDIO</p>	<p>Sets the remote's shared keys to control the PT8051 as opposed to DVD, TV, SAT/CAB or AUX devices.</p>
<p>5. INPUT</p>	<p>Press to cycle through inputs – DVD, TV/SAT, AUX, DVD digital, TV/SAT digital and AUX digital.</p>
<p>6. MUTE</p>	<p>Press to turn off or restore sound.</p>
<p>7. FRONT, CENTER, REAR +/- LEVEL</p>	<p>Increases or decreases the volume level of the individual channels for the main and rear surround units.</p>
<p>8. BASS</p>	<p>Enhances low frequency or bass output.</p>
<p>9. MODE</p>	<p>Use to select between DTS, Dolby Digital, Dolby Pro Logic II or stereo mode of the system depending on the sound modes available from your audio source.</p>
<p>10. OSD</p>	<p>Press to enter or exit the on-screen display (OSD) setup menu.</p>

## Installing the PT8051

This section provides guidelines for locating and installing your new PT8051.

The PT8051 creates a realistic surround sound experience from just two units. Usability is further enhanced by utilizing an advanced 2.4 GHz wireless transmission system that eliminates the need to run wires to the rear surround speakers. While placement is less critical than similar systems, the following general guidelines should be followed where possible to ensure best sound quality:

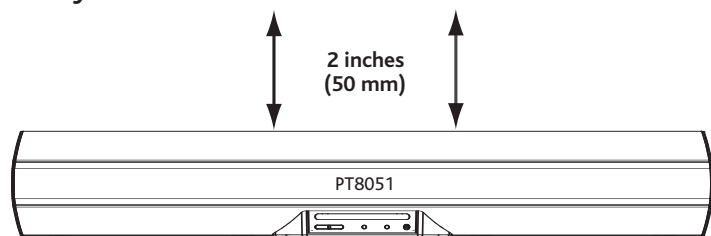
- Avoid placement where furniture or other items would obstruct the grill area.
- Center the PT8051 below the TV so that dialogue appears to be coming from it.
- The maximum allowable distance between the main and rear surround units is approximately 40 feet (12.2 meters).
- The rear surround unit should be placed behind the primary listening position to maximize the surround sound effects from the system. For maximum sound quality it should be placed at or near ear level when they are seated in the listening position.
- Avoid placing the PT8051 on or near surfaces that may vibrate.



### Locating the PT8051

The PT8051's front and rear units can be placed on suitable level surfaces or mounted on the wall using the supplied wall mounting brackets.

### Safety Notes:



- Be sure to leave adequate ventilation space – at least 2 inches (50mm) above both the main and rear surround units.
- We do not recommend installing this unit so that it is directly on the floor.
- The main unit of the PT8051 weighs approximately 18.1 lbs. (8.2 kg) and the rear surround unit weighs approximately 9.8 lbs. (4.4 kg.). Be sure to secure it where it will not fall and where it is out of the reach of children.
- Do not install the main or rear surround units directly above a cathode-ray tube (CRT) TV as stray magnetic fields may distort the TV.

## Wall Mounting

If you are mounting the PT8051 on the wall please follow these steps:

1. Determine a suitable wall location for mounting each speaker unit within reach of its AC cord.
2. Position and level the supplied metal mounting bracket in the desired location on the wall.
3. Being careful to avoid any items (wires, pipes, etc.) hidden inside the wall secure the metal mounting bracket using appropriate fasteners for the application. If you are unsure which type of fasteners to use or are unable to determine if there are items within the wall that could be damaged please consult a licensed contractor.
4. Place the speaker on the mounting bracket by aligning the two buttonholes on the rear of the speaker with the posts on the mounting bracket. Check to make sure the wall mount bracket and speaker are securely fixed in place.

Caution: The wall-mounting bracket should be installed only by qualified personnel. The mounting bracket can be installed on many different types of walls. When installed, the mounting bracket must support at least 100 lbs. (45 kg.). The installer must be sure that the installing surface can support the 100 lb. (45 kg.) weight requirement. The qualified installer must also determine and use the proper hardware to obtain the weight requirements for the wall.

### Placing the PT8051 on a Stand

You can mount your TV on a commercially-available stand and place the main unit of the PT8051 under your TV. Ensure that the stand being used can support the weight of the TV, the PT8051 and any other items it will be required to support.

Note: Consult the instructions supplied with the stand for details on how to install the stand and how to mount the PT8051 and the TV on the stand.

NOTE: Placement of this product on wood surfaces with certain types of finishes, such as clear varnish, may result in damage to the finish. Consult the furniture manufacturer's care instructions for direction as to the types of objects that may safely be placed on the wood surface. Altec Lansing shall not be responsible for any damage to wood surfaces from contact with this product.

## Setting Up the PT8051

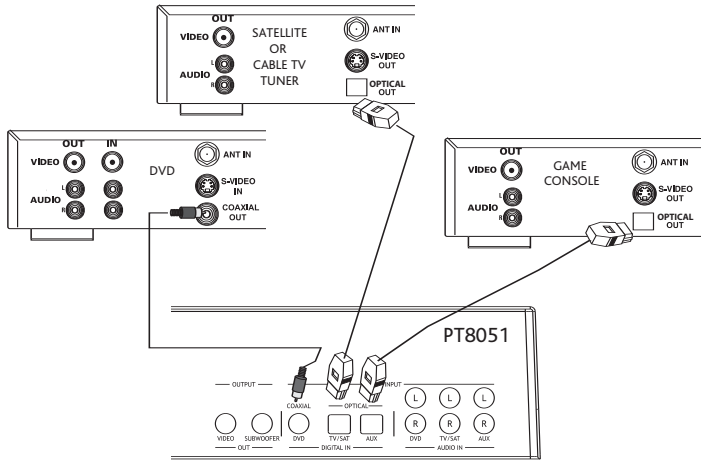
Warning: Do not insert the PT8051's power plug into a wall outlet until you connect other sources such as your TV, DVD player, satellite tuner or alternate audio source. Also, turn off audio sources before connecting them to the PT8051.

The PT8051 is designed to connect external components such as your DVD player, satellite TV tuner, cable TV tuner, VCR, game console and TV. The PT 7031 can be connected to the source equipment (DVD, VCR, etc.) using either a digital (coaxial or optical) or analog connection. In cases where there are both digital and analog outputs such as a DVD player we recommend using the digital output to ensure best sound quality and optimal surround sound reproduction.

### Connecting Devices Equipped with a Digital Audio Output (DVD Player, DVR, etc.)

The PT8051 can accept digital input signals using standard, commercially available optical or coaxial cables.

## Typical Digital Connections



To connect a digital audio source:

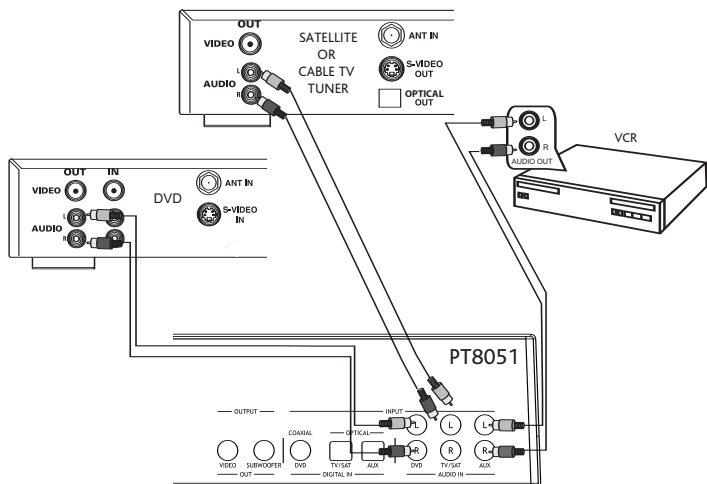
- Use a coaxial cable to connect the COAXIAL IN (DVD) jack on the PT8051 to the coaxial output jack on the DVD player.
- Use an optical cable to connect the OPTICAL IN (AUX) jack on the PT8051 to the optical output jack on a digital audio source such as a game console or digital video recorder.
- Use an optical cable to connect the OPTICAL IN (TV/SAT) jack on the PT8051 to the optical output jack on the satellite tuner or cable TV tuner.

Note: When connecting a DVD player we recommend using the coaxial input found on the rear of the PT8051. However, if your DVD player only has an optical output it can be connected to the AUX input.

## Connecting Devices Equipped with an Analog Audio Output (VCR or Similar Device)

To connect the PT8051 to a VCR or similar analog audio device, connect the cables as shown in the diagram below.

### Analog Audio Connections

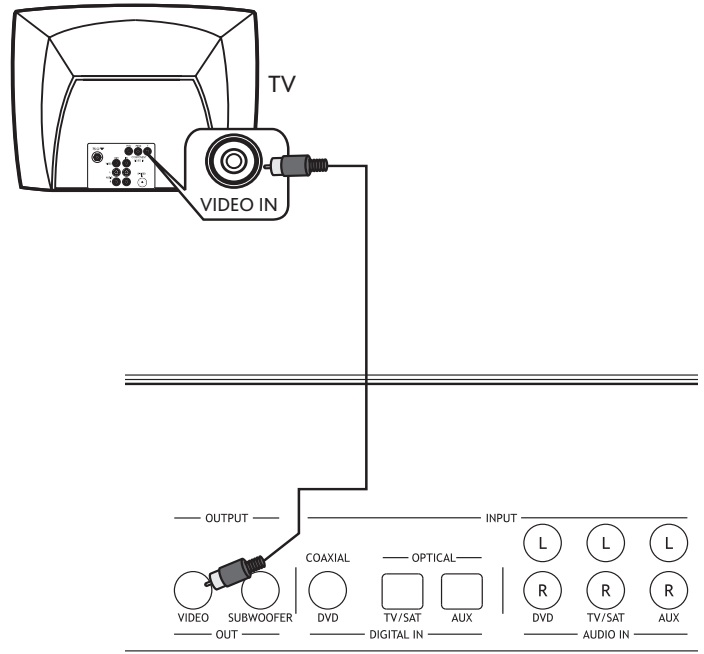


To connect audio from an analog (VCR, etc.) audio device:

- Use a standard stereo audio cable to connect the AUDIO IN (AUX) jacks on the PT8051 to the audio output jacks on the VCR or similar audio source. Ensure that the cables are connected correctly observing left (white) and right (red) connections at both the PT8051 and the source device.
- Use a standard stereo audio cable to connect the AUDIO IN (TV/SAT) jacks to the audio output jacks on the satellite TV or cable TV tuner. If your satellite TV or cable TV tuner has a digital output this input can be used for another device.

- Use a standard stereo audio cable to connect the AUDIO IN (DVD) jack to the audio output jack on the DVD player. If you have connected your DVD player using an optical or coaxial digital cable you can use this input for another device.

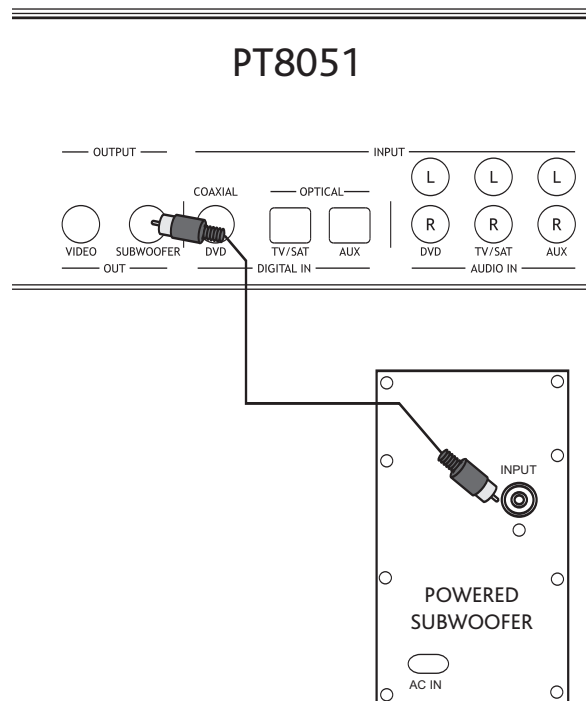
### Video Connection



To connect the video out:

- Using the supplied A/V cable, connect one yellow end to connect the VIDEO OUT on the PT8051 and the other yellow end to the video input jack on the TV. This connection allows you to view the on-screen display (OSD) on your TV screen when the corresponding input is selected.

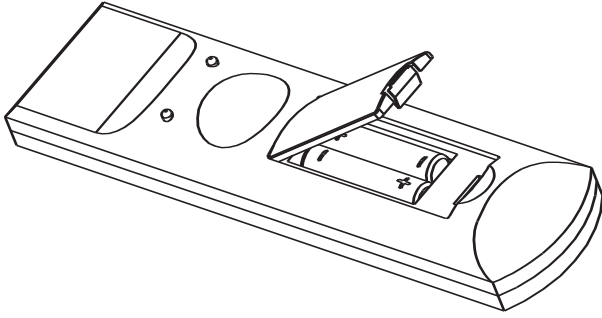
### Connecting a Subwoofer



To connect an optional subwoofer:

- Use an optional commercially available mono audio cable to connect the SUBWOOFER OUT jack on the rear of the PT8051 to the SUBWOOFER INPUT jack on the subwoofer.

## Setting up the Remote Control



### Installing Batteries

- Depress the latch on the back of the remote as shown to remove the battery cover.
- Insert two AAA batteries.
- Close the battery cover.

### Notes:

- Change all of the batteries if you notice that the operation range of the remote decreases or the indicator does not blink or its light becomes dim.
- Do not use old batteries together with new ones.
- Do not use different types of batteries such as alkaline and manganese batteries together. Read the packaging carefully as these different types of batteries may have the same shape and color.
- Exhausted batteries may leak. If the batteries have leaked, dispose of them immediately. Avoid touching the leaked material or letting it come into contact with skin or clothing. Clean the battery compartment thoroughly before installing new batteries.
- Do not throw away batteries with general house waste. Dispose of them correctly according to local regulations.

## Basic Operation

- After all audio and video connections are secure; you can plug in the PT8051's AC cords into a suitable AC outlet.
- Turn on the power switch on the rear panel of the PT8051's main and rear surround units to the on position. The PT8051 will enter into STANDBY mode. The power LED on front panel will turn red indicating that the unit is in standby mode.
- Press the POWER button on the front panel to power on the PT8051. The power LED will switch from red to green indicating the unit is on. The LED on the rear unit will illuminate once the main unit has been powered on.
- Begin playback on the DVD player or other device that you want to listen to.
- Select the desired input using the INPUT button on the front panel or remote control. The corresponding LED will illuminate to indicate the input that has been selected
- Select the desired audio mode by using the MODE button on the front panel or remote control. For most devices you can choose between surround sound or stereo modes.
- Adjust the system volume using the VOL +/- buttons on the remote control or front panel.

## Advanced Operation

### Setting Channel (Speaker) Levels

Individual levels can be set for front, center and rear or surround channels by using the corresponding +/- level buttons on the remote. These levels should be adjusted so that all channels are at a similar volume when the listener is seated using the Test Tone function as described in the Setup Menu section that follows.

Adjustments are made by:

- Pressing LEVEL (Front +/-, Center +/- and Rear +/-) for each channel to be set. The level of the channel will appear on the TV screen.
- The range for each level is -10 dB to +10 dB, in 1 dB steps. The initial volume is 00 dB.

### Setup Menu

The setup menu is displayed on your TV screen using the On-Screen Display (OSD). The OSD will only work if a video connection has been established as described in "video connection" section of this manual. You can customize your PT8051 for language, TV type, test tone setting, screen saver, and EQ. The setup menu can also be used to reset the unit to factory default settings if necessary.

### Displaying the On-screen Display

- Press the OSD button on the remote to display the setup menu.
- Use the ◀ ▶ ▲ ▼ buttons on the remote to toggle through the selections.
- Highlight your desired option.
- Press the OK button on the remote to confirm your selection.
- To exit the setup menu, press the OSD button or select EXIT SETUP from the menu.

### Setting the OSD Language

Select the language for on-screen display. The default setting for the OSD is ENGLISH.

-- SETUP MENU --	
OSD LANG	ENGLISH
TV TYPE	FRENCH
CENTER DELAY	GERMAN
REAR DELAY	SPANISH
TEST TONE	
SCREEN SAVER	
EQ	
DEFAULTS	
EXIT SETUP	
SET OSD LANGUAGE	

### TV Type Setting

The color system of the DVD system, DVD and TV should match. Only then will it be possible to play a DVD on this system. Before changing the TV system, determine the color system of your TV.

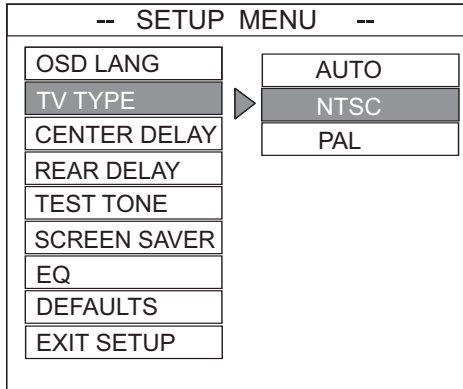
The default setting is NTSC. NTSC is used in several countries including the United States, Canada and Japan. PAL is used in most European and Asian countries.

**AUTO:** Select this if the connected TV is compatible with both NTSC and PAL. The output format will be in accordance with the video signal of the DVD disc.

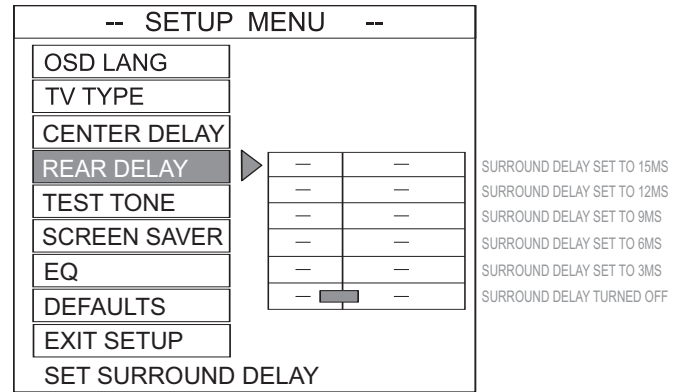


**NTSC:** Select this if the connected TV has the NTSC color system. It will change the video signal of a PAL disc and output it to NTSC format.

**PAL:** Select this setting if the connected TV has the PAL color system. It will change the video signal of an NTSC disc and output it to PAL format.

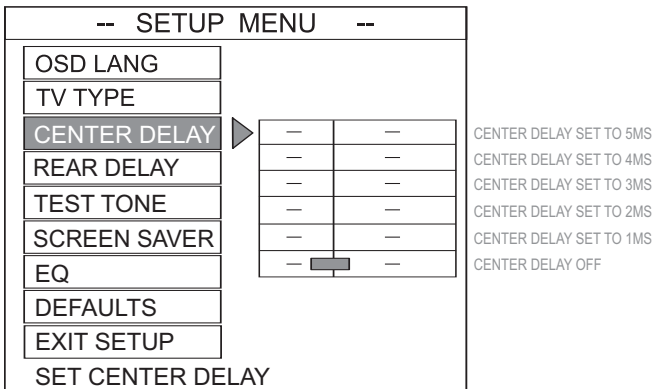


that are farther away from you, with respect to the music signal that is sent to all the speakers at the same instant. The default setting is REAR DELAY TURNED OFF.



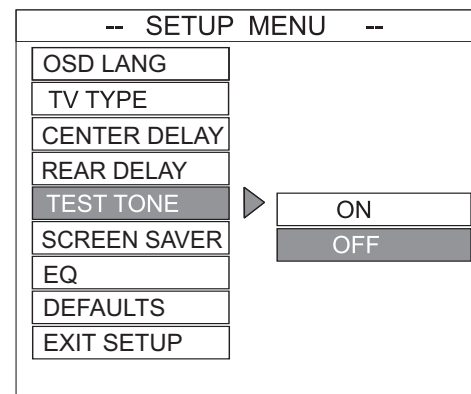
### Center Delay Setting

Used to set the delay time that is used for the CENTER channel. This setting is adjustable from 0 to 5 mS (milliseconds) in one millisecond increments. This setting is useful if your PT8051 main unit cannot be positioned near the TV. As a general rule one foot (30cm) is equal to a delay of approximately 1mS. Therefore if your PT8051 main unit was one foot from the screen you would set the CENTER delay for 1mS. It can also be adjusted so that the sound coming from the PT8051 is synchronized with the video image. The default setting is CENTER DELAY TURNED OFF.



### Test Tone Setting

When set to the ON position, the system will test the speaker output by using an internally generated test tone. The test signal is output sequentially through various channels. The default setting is OFF.



### Rear Delay Setting

Used to set the delay time that is used for the REAR (surround) channel. This setting is adjustable from 0 to 15mS (milliseconds) in three millisecond increments. This setting is used to accurately reproduce the surround information that is encoded on certain DVDs as the producer intended by allowing you to tailor the sound to your listening room size. In this case you would set the delay as follows; The delay in milliseconds for the rear (surround) speaker setting is equal to the number of feet closer that speaker is to your listening position than the main unit.

For an example, let's assume the main unit is 15 ft away from the main listening position and the rear (surround) unit is 5 feet away.

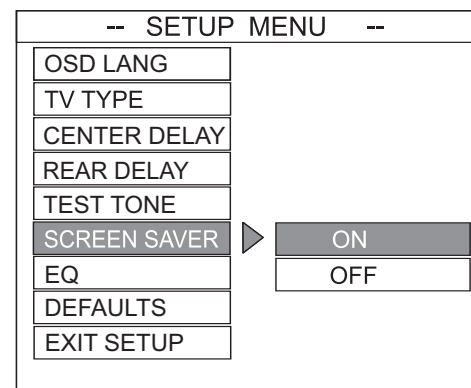
Surround's Delay = 15ft – 5ft = 10ft = 10mS of delay

In this case you would select 9 mS from the menu as it is closest to 10 mS.

The idea is to have the sound from the main and rear units reach your ears at the same time, in relation to the signal being sent to those speakers. For the speakers that are close to you, a delay has to be added so that their sound reaches your ears at the same time as the speakers

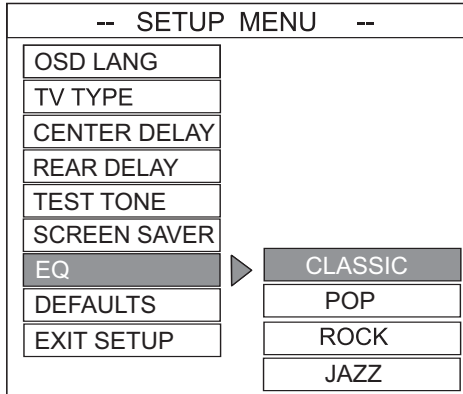
### Screen Saver Setting

When set to ON the PT8051 will automatically enter the screen saver mode when no changes have been made after five minutes. This is useful for preventing image burn from occurring that can damage certain plasma TVs. The default setting is ON.



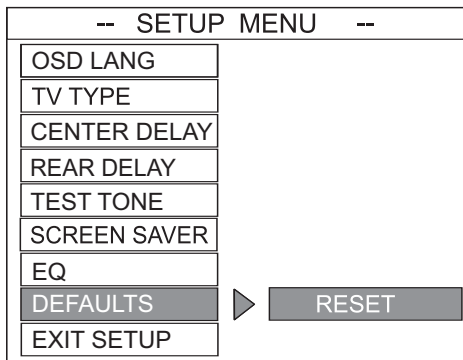
## EQ (Equalizer)

Use this function to select equalizer settings. Choose from CLASSIC, POP, ROCK, or JAZZ. The default setting is CLASSIC.



## Default Setting

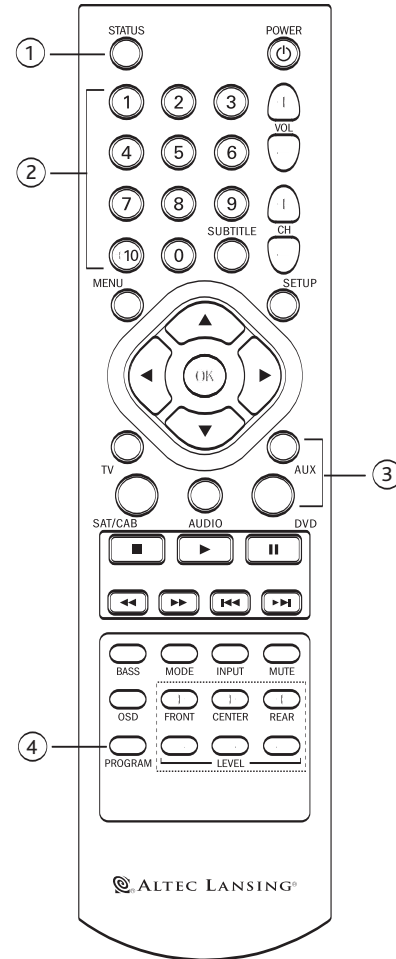
If RESET is selected, all the items in the setup menu will be reset to the factory default settings as previously indicated.



## Operating the PT8051 Remote Control

In addition to controlling your PT8051 you can program the remote control to operate audio/video components from other manufacturers.

Codes can be set up for each device to be controlled: TV, SAT/CAB, AUDIO, DVD, and AUX.



1. STATUS	Indicates operation of remote when specific buttons are pressed. Illuminates continuously to indicate remote is in program mode.
2. NUMERIC BUTTONS	Use to enter preprogrammed remote codes for other devices.
3. DEVICE BUTTONS	Use to program or switch remote modes for operating other devices.
4. PROGRAM	Use to enter program mode when programming remote control codes for other devices.

## Default Preprogrammed Remote Control Codes

Your PT8051 remote control is preset to the default codes listed in the table below. If your component is not listed please consult the list in the Preprogrammed Remote Control Codes section. You can also use the search procedure in the Searching for Remote Control Codes section of this manual.

Remote Button	Initial code	Equipment
TV	082	Philips TV
SAT/CAB	039	Philips Cable Box
AUDIO	900	Altec Lansing PT8051
AUX	144	Panasonic VCR
DVD	124	Sony DVD

## Programming Device Remote Control Codes

Find the brand, model and code number of your components in the Preprogrammed Remote Control Codes section of this manual, then follow these steps:

- While holding down the PROGRAM button, press the button for the device to be programmed, i.e., TV or DVD or CAB/SAT or AUX.
- The Status LED illuminates.
- Release both buttons.
- Enter the CODE NUMBER using the numeric buttons on the remote. If the CODE NUMBER is valid the LED will flash twice and then turn off, indicating the code has been programmed. If the code number is not valid the LED flashes twice and turns on;
- Check to see that the remote can control the device that was programmed by using the CH+/- or similar button to control the device that was programmed. If it does not control the device, repeat this procedure.

Note: If you want to leave the setup mode, press the device button (TV, SAT/CAB, DVD, etc.). If you do not press any buttons after 10 seconds, SETUP MODE exits automatically.

## Searching for Remote Control Codes

If you cannot find a code number from the Preprogrammed Remote Control Codes section of this manual that matches your equipment, the PT8051 remote can search its database for a suitable control code from the codes programmed into the remote. The PT8051 remote control will find the best possible component code for any audio source.

To search for codes follow these steps:

- Turn the device (TV, SAT/CAB, DVD, AUX, etc) that you wish to locate the remote control code for to the on position.
- On the PT8051 remote press and hold the PROGRAM button while pressing the device button you wish to search for (TV, SAT/CAB, DVD, AUX, etc).
- The STATUS LED on the PT8051 will illuminate and remain on.
- Press and release the PROGRAM button again. The LED will flash to indicate that the remote has entered the search mode.
- Aiming the PT8051 remote at the device you want to control repeatedly and slowly press and release the POWER button. The PT8051 will send a different POWER code to the device each time the POWER button is pressed.

- Once the device you wish to control powers off, immediately stop pressing the POWER button and press the device (TV, SAT/CAB, DVD, AUX, etc) button again.
- The PT8051 should now be programmed to control your device.
- You can verify this by turning the device on, and entering other applicable commands such as PLAY or STOP for a DVD player or CHANNEL +/- for a SATELLITE TV box.

Note: While the POWER button was used for searching here, you can use other commands such as the PLAY button for devices that do not have a POWER button. In this case the PT8051 uses the PLAY button to search. Simply use the PLAY button instead of the POWER button as described below ensuring that the device you wish to control is ready to enter the play mode and has a DVD or tape loaded, is on, etc.

## Troubleshooting

Symptom	Possible Problem	Solution
No power.	One or both power cords are not connected or the main or rear surround units have not been turned on.	Plug the PT8051's AC cords into a suitable AC outlet. Then, turn on the PT8051 by pushing the on/off switch in the rear of the unit for both the main and rear surround units.
	Power switch on the back panel is not turned on for one or both units.	Turn it on.
	A safety mechanism powered down the PT8051.	Unplug the PT8051 from the AC outlet briefly and then plug it in again so it will reset itself.
No sound comes from the PT8051.	The volume is set too low.	The "+/–" buttons on the top of the PT8051 remote are the master volume controls. Press and hold the "+" button to increase the volume.
	Loose or no cable connections on the PT8051 or source equipment.	Check that the cables are correctly and firmly seated on both the PT8051 and the source equipment.
	MUTE is on.	Be sure mute function is not activated.
No on-screen display.	Video cable is loose or not connected.	Check that the video cable is connected and properly seated at both the PT8051 VIDEO OUTPUT and the TV input.
	The wrong input is selected on the TV.	Select the correct input on the TV, the one that corresponds to where the VIDEO OUT cable from the PT8051 is connected.
No sound is coming from the rear surround unit.	Power switch on the back panel is not turned on for one or both units.	Turn it on.
	There is no surround information on the DVD soundtrack.	It is normal not to have surround sound information present at all times.
	The REAR +/- level is set too low.	Increase the REAR +/- level by using the remote control.
	The rear surround unit has lost synchronization with the main unit. This is indicated by a blinking green WIRELESS light on the rear surround unit.	Make sure that the front and rear units are within 40 feet (12.2 meters) of each other. To manually resynchronize the main and rear surround units press the CONNECT button on the rear of the front unit. Once synchronization has occurred the WIRELESS light on the rear surround unit will stop blinking and remain lit in a steady on state.

## Specifications

Power Supply Rating	120 V AC/60 Hz
Power Consumption	25W (Main Unit) 20W (Rear Surround Unit)
Signal-to-Noise Ratio	(A-weighted) >75dB
Dimensions (W x H x D)	40" x 6 <sup>3</sup> / <sub>4</sub> " x 6" (1016mm x 170mm x 152mm) 22" x 6 <sup>3</sup> / <sub>4</sub> " x 6" (560mm x 170mm x 152mm) (Rear Surround Unit)
Weight	18.1 lbs. (8.2 kg) (Main Unit) 9.8 lbs. (4.4 kg.) (Rear Surround Unit)
Output Power	125 Watts (5 x 25) Continuous Average Power
Drivers	Three NXT Digital 2" x 8" (50mm x 200mm) Flat Panel Drivers (Main Unit) 2.3" x 4" (58mm x 100mm) (Rear Surround Unit)
Digital Audio Inputs	Two Optical/One Coaxial
Analog Audio Inputs	Stereo x 3
Analog Audio Outputs	Subwoofer x 1
Video Output	Composite x 1
Frequency response	70 Hz – 20 kHz +/- 3dB
Wireless Transmission Frequency	2.4 GHz
Wireless Transmission Range (Maximum)	40 Feet (12.2 Meters)



Le symbole figurant un éclair dans un triangle équilatéral est destiné à attirer l'attention de l'utilisateur sur la présence d'une "tension dangereuse" non isolée pouvant être d'amplitude suffisante pour constituer un risque d'électrocution.



Attention : Pour prévenir tout risque d'électrocution, ne retirez pas le couvercle (ou le dos) de l'appareil. Il ne se trouve à l'intérieur aucune pièce susceptible d'être réparée par l'utilisateur. Confiez la réparation et l'entretien à un personnel qualifié.



Le point d'exclamation à l'intérieur d'un triangle équilatéral est destiné à prévenir l'utilisateur qu'il trouvera d'importantes instructions concernant l'utilisation et la maintenance (entretien) dans la documentation jointe à l'appareil.

## ATTENTION

Pour éviter tout risque d'électrocution, n'utilisez pas cette fiche (polarisée) avec une rallonge électrique, une prise de courant ou une autre sortie, si les lames ne peuvent pas être insérées complètement, afin d'éviter qu'elles ne soient exposées.

## AVERTISSEMENT

Afin de limiter le risque d'incendie ou d'électrocution, n'exposez pas cet appareil à la pluie ou à l'humidité.

## CONSIGNES DE SÉCURITÉ IMPORTANTES

1. Lisez ces instructions.
2. Conservez ces instructions.
3. Suivez l'ensemble des avertissements.
4. Respectez l'ensemble des instructions.
5. N'utilisez pas l'appareil à proximité d'un point d'eau. Cet appareil ne doit pas être exposé à des gouttes ou des éclaboussures. Aucun objet rempli de liquide (vase, par exemple) ne doit être placé sur l'appareil.
6. Nettoyez uniquement l'appareil à l'aide d'un chiffon sec.
7. N'obstruez pas les orifices de ventilation. Installez l'appareil conformément aux instructions du fabricant. L'appareil ne doit pas être placé sur un lit, un divan, un tapis ou une surface similaire pouvant obstruer les orifices de ventilation. L'appareil ne doit pas être inséré dans une installation intégrée, telle qu'une armoire ou une étagère fermée. Le flux d'air via les orifices de ventilation risquerait d'être bloqué. Les orifices ne doivent pas être recouverts avec des objets tels que des journaux, des nappes, des rideaux, etc. La ventilation risquerait d'être bloquée.
8. N'installez pas l'appareil à proximité de sources de chaleur telles que des radiateurs, des registres de chaleur, des fourneaux ou autres appareils produisant de la chaleur (amplificateurs inclus).
9. Aucune source de flammes nues (bougies allumées, par exemple) ne doit être placée sur l'appareil.
10. N'allez pas à la rencontre des objectifs de sécurité de la fiche polarisée ou mise à la terre. Les fiches polarisées disposent de deux lames (une plus large que l'autre). Les fiches de mise à la terre disposent de deux lames et d'une broche de mise à la terre. La lame plus large ou la broche est fournie pour votre sécurité. Si la fiche fournie ne correspond pas à votre prise électrique, consultez un électricien afin de remplacer la prise obsolète.
11. Faites-en sorte que le cordon d'alimentation ne puisse être piétiné ou plié, notamment aux points d'entrée et de sortie des fiches et des prises.
12. N'installez pas l'appareil dans une zone où l'accès à la fiche d'alimentation n'est pas garanti. Le débranchement de la fiche d'alimentation est la seule manière de mettre le produit complètement hors tension. Vous devez pouvoir accéder facilement à la fiche à tout moment.
13. Source d'alimentation — utilisez uniquement des blocs d'alimentation du type défini dans les instructions de fonctionnement ou indiqué sur l'appareil. Si un bloc d'alimentation distinct est fourni avec l'appareil, ne le remplacez par aucun autre bloc d'alimentation. Utilisez uniquement les blocs d'alimentation fournis par le fabricant.
14. Débranchez l'appareil en cas d'orage ou lorsque vous ne l'utilisez pas pendant des périodes de temps prolongées.
15. Confiez l'ensemble des travaux d'entretien à du personnel d'entretien qualifié. Des travaux d'entretien sont nécessaires lorsque l'appareil est endommagé (la fiche ou le cordon d'alimentation est endommagé, du liquide s'est renversé ou des objets sont tombés dans l'appareil, l'appareil a été exposé à la pluie ou à l'humidité, l'appareil ne fonctionne pas normalement ou l'appareil est tombé). Dans le cadre des travaux d'entretien, adressez-vous à du personnel d'entretien qualifié, retournez l'appareil au distributeur ou contactez la ligne d'assistance Altec Lansing.
16. Pour les produits comportant des piles, veuillez vous reporter aux réglementations locales pour mettre les piles au rebut de manière adaptée.
17. Utilisez uniquement les accessoires spécifiés par le fabricant.
18. Utilisez uniquement le chariot, le présentoir, le pied, le support ou la table spécifié(e) par le fabricant ou vendu(e) avec l'appareil. Si vous utilisez un chariot, déplacez avec précaution l'ensemble chariot-appareil afin d'éviter toute blessure en cas de chavirage.



## Garantie Altec Lansing limitée d'un an

### (garantie limitée de deux ans en Union européenne et en Asie)

Quels éléments sont couverts par la garantie ? Altec Lansing garantit que ses produits sont dépourvus de défauts au niveau des matériaux ou de la main d'oeuvre, à l'exception des conditions détaillées ci-dessous.

Quelle est la durée de la garantie ? Pour les appareils achetés en Union européenne ou en Asie, cette garantie est valable pendant deux ans à compter de la date d'achat. Pour les appareils non achetés en Union européenne ou en Asie, cette garantie est valable pendant un an à compter de la date d'achat. Les conditions des garanties légales implicites prennent fin à l'issue de la période de validité de la garantie limitée. Certains états et/ou états membres de l'Union européenne n'acceptent pas les restrictions relatives à la durée des garanties implicites. Il est donc possible que la restriction susmentionnée ne s'applique pas à votre cas.

Quels éléments ne sont pas couverts par la garantie ? Cette garantie ne couvre pas les défauts, mauvais fonctionnements ou anomalies qui peuvent survenir à l'aide des événements suivants : installation incorrecte, utilisation incorrecte ou non-respect des instructions se rapportant au produit, utilisation abusive ou utilisation avec un équipement incorrect, inadéquat ou défectueux (pour obtenir des informations relatives à l'installation, au fonctionnement et à l'utilisation du produit, consultez le manuel fourni avec le produit). Si vous avez besoin d'un manuel de remplacement, vous pouvez télécharger un manuel sous [www.alteclansing.com](http://www.alteclansing.com). En outre, les dommages consécutifs ou secondaires ne sont pas pris en charge par cette garantie. Certains états n'autorisent pas l'exclusion ou la restriction des dommages consécutifs ou secondaires, il est donc possible que l'exclusion ou la restriction susmentionnée ne s'applique pas à votre cas.

Que fera Altec Lansing pour corriger le problème ? Altec Lansing réparera ou remplacera, à sa discrétion, les produits qui s'avèrent défectueux au niveau des matériaux ou de la main d'oeuvre. Si votre produit n'est plus fabriqué ou n'est plus disponible en stock, Altec Lansing remplacera à sa discrétion votre produit par un produit Altec Lansing similaire ou de meilleure qualité.

Comment obtenir un service de garantie : pour obtenir la réparation ou le remplacement d'un produit sous garantie, vous devez contacter Altec Lansing par courrier électronique ([csupport@alteclansing.com](mailto:csupport@alteclansing.com)) au cours de la période de garantie. Le courrier électronique doit inclure votre nom, votre adresse, votre adresse électronique, votre numéro de téléphone, la date d'achat ainsi qu'une description détaillée du problème rencontré. Aux Etats-Unis, vous pouvez également contacter Altec Lansing par téléphone au 1-800-ALTEC88 — soyez prêt à fournir les mêmes informations. Si le problème s'avère lié à une anomalie au niveau des matériaux ou de la main d'oeuvre, Altec Lansing vous enverra une autorisation de retour et des instructions relatives au retour du produit. Le retour du produit s'effectue aux frais du client et le retour doit être accompagné de la preuve originale d'achat. Vous devez assurer l'expédition de manière adaptée : vous êtes en effet responsable du produit jusqu'à ce qu'il parvienne à Altec Lansing.

Dans quelle mesure les lois nationales affectent vos droits ? Cette garantie vous accorde des droits légaux spécifiques. Vous pouvez également disposer de droits qui varient d'un état à l'autre. Veuillez noter qu'au sein de l'Union européenne, vous, en tant que consommateur, pouvez disposer d'autres droits légaux selon la législation nationale des états membres de l'Union européenne gouvernant la vente des marchandises Altec Lansing. Ces droits ne sont pas affectés par cette garantie.

Les garanties et remèdes limités détaillés ci-dessus sont les seuls garanties et remèdes disponibles à l'acheteur si et dans la mesure où ils sont valables et applicables selon la loi en vigueur.

## Service clientèle

Les réponses à la plupart des questions relatives à la configuration et aux performances sont disponibles dans le guide de dépannage. Vous pouvez également consulter la foire aux questions de la section service clientèle de notre site Internet ([www.alteclansing.com](http://www.alteclansing.com)). Si vous vivez en Amérique du Nord et ne parvenez pas à trouver les informations dont vous avez besoin, veuillez demander l'aide de notre équipe d'assistance clientèle avant de renvoyer l'unité au détaillant selon la politique de retour en vigueur.

Tel: 800-258-3288

Courrier électronique : [csupport@alteclansing.com](mailto:csupport@alteclansing.com)

Si vous ne vivez pas en Amérique du Nord, veuillez consulter notre site Internet ([www.alteclansing.com](http://www.alteclansing.com)) et sélectionnez le pays dans lequel vous vivez pour localiser le distributeur de votre pays.

Pour obtenir les informations les plus récentes, veuillez consulter notre site Internet à l'adresse suivante [www.alteclansing.com](http://www.alteclansing.com).

## Distribution internationale

Clients internationaux : pour plus d'informations au sujet de la distribution des produits Altec Lansing dans votre pays, veuillez consulter le site Internet ([www.alteclansing.com](http://www.alteclansing.com)) et cliquez sur votre pays.

## Élimination de l'équipement électrique et électronique obsolète



Ce symbole sur le produit ou sur son emballage indique que ce produit ne sera pas traité en tant que déchet ménager. Ledit produit sera remis au point de collecte applicable au recyclage de l'équipement électrique et électronique. En vous assurant que ce produit est éliminé correctement, vous contribuerez à la prévention des conséquences néfastes potentielles pour l'environnement et la santé de l'homme qui sont susceptibles d'être engendrées par une mise au rebut inadéquate de ce produit dans le cas contraire. Le recyclage des matériaux contribuera à la préservation des ressources naturelles. Pour toute information complémentaire concernant le recyclage de ce produit, veuillez contacter votre mairie ou votre service local de traitement des déchets.

# Système PT8051 Surround

Nous vous remercions de votre acquisition du système PT8051 Surround sans fil d'Altec Lansing.

Le PT8051 a été conçu pour prendre la place du récepteur A/V traditionnel avec ses enceintes disposées séparément ; il offre une ambiance sonore complète, multicanaux, à partir de seulement deux composants utilisant les techniques DTS et le décodage Dolby Digital pour reproduire avec fidélité votre musique préférée et la piste sonore de vos films favoris. La technologie numérique de son pilote NXT flat-panel reproduit fidèlement la plage de fréquence et apporte toutes les subtilités et la profondeur spatiale du son dont sont capables les formats numériques d'aujourd'hui. De plus, le PT8051 utilise une technologie de pointe pour la transmission du son sans fil qui offre une ambiance sonore identique à celle des cinémas, sans avoir à tirer de câbles vers les enceintes arrière.

La conception du PT8051 est parfaitement adaptée aux écrans grand format LCD et plasma actuels, et le montage mural des deux composants est possible avec les supports fournis. Une télécommande universelle est incluse ; elle permet de rassembler sur une seule commande les fonctions de votre TV, lecteur DVD et magnétoscope.

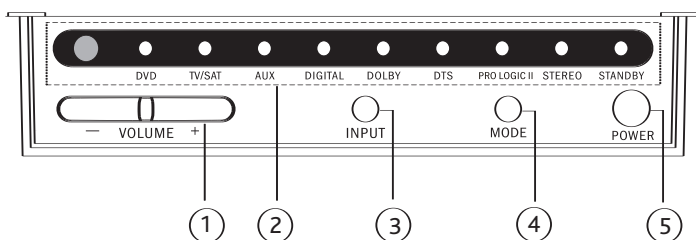
## Contenu

Pour identifier ces éléments, consultez le Programme de connexion rapide du PT8051.

- Composants du PT8051 ; console principale et unité « surround » arrière
- Télécommande et piles
- Câble A/V
- Supports de montage mural (les vis ne sont pas incluses)
- Mode d'emploi et instructions de branchement rapide

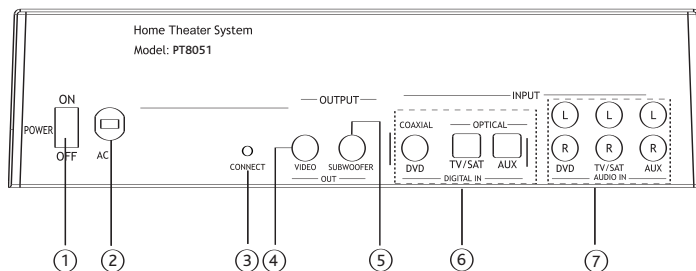
## Commandes et connexions de votre PT8051

### Panneau avant (console principale)



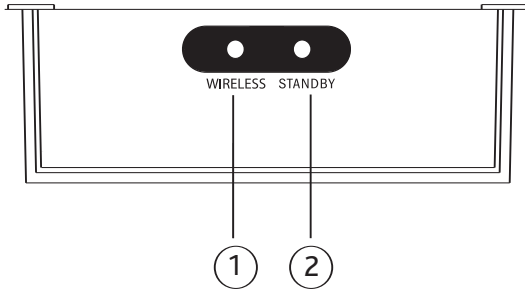
1. VOLUME +/-	Contrôle le niveau sonore de tous les canaux audio.
2. LED	Elles affichent les informations concernant l'état du système.
3. INPUT	Appuyer sur cette touche pour faire défiler les sources d'entrée audio : DVD, TV/SAT, AUX, DVD numérique, TV/SAT numérique ou AUX numérique).
4. MODE	Appuyer sur cette touche pour sélectionner le mode ambiophonique (DOLBY, DTS or PRO LOGIC II) ou stéréo (STEREO).
5. POWER	Appuyer sur cette touche pour mettre le système sous tension ou le faire passer en mode de veille.

### Panneau arrière (console principale)



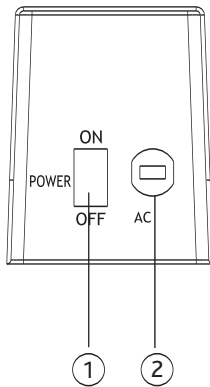
1. Mise sous/hors tension	Met le système sous ou hors tension (ON/OFF).
2. Cordon d'alimentation CA	Se connecte à une prise secteur (C.A.). Se reporter aux indications de fréquence et de plage pour la source de tension, sur le panneau arrière.
3. CONNECT	Appuyer sur cette touche pour synchroniser manuellement le lien audio sans fil entre la console principale et l'unité surround arrière. Dans la plupart des cas, il n'est pas nécessaire d'utiliser cette touche ; les deux composants se synchronisent automatiquement lors de la mise sous tension.
4. VIDEO OUT	Permet d'afficher les informations d'affichage sur écran. Connecter cette sortie à l'entrée vidéo mixte (composite) de la TV.
5. SUBWOOFER OUT	Permet de connecter un subwoofer (caisson de basses) optionnel si la présence d'un haut-parleur d'infra-graves est souhaitée.
6. ENTRÉE NUMÉRIQUE : COAXIAL (DVD IN)	Permet de connecter un lecteur de DVD équipé d'une sortie numérique coaxiale.
OPTICAL (TV/SAT IN)	Permet de connecter un tuner satellite numérique ou un tuner câble équipé d'une sortie audio optique.
OPTICAL (AUX IN)	Permet de connecter une source audio auxiliaire venant d'un enregistreur PVR ou d'un second tuner TV équipé d'une sortie audio optique. Permet aussi de connecter un lecteur DVD équipé d'une sortie optique, mais non d'une sortie coaxiale.
7. AUDIO ANALOG INPUT: DVD IN	Permet de connecter un lecteur DVD équipé d'une sortie audio analogique.
TV/SAT IN	Permet de connecter l'appareil à une TV ou à un tuner satellite équipé d'une sortie analogique.

## Panneau avant (unité surround arrière)



1. WIRELESS	Ce voyant s'allume et reste allumé lorsque les enceintes principales et surround arrière sont synchronisés, pour indiquer le fonctionnement normal de la liaison audio sans fil. La synchronisation entre l'unité principale et l'enceinte surround arrière se fait automatiquement lorsque l'unité principale est mise sous tension, pour autant que l'interrupteur « marche-arrêt » de l'enceinte arrière soit placé dans la position « marche » (ON). Ce voyant clignote lorsque la liaison sans fil entre les enceintes principales et l'enceinte arrière a perdu sa synchronisation. Pour resynchroniser manuellement les deux unités (principale et arrière), appuyez sur le bouton CONNECT qui se trouve sur le panneau arrière de l'unité principale.
2. STANDBY	Ce voyant (état de veille) clignote lorsque l'unité est branchée sur le secteur et que l'interrupteur POWER ON/OFF (marche/arrêt) du panneau arrière est placé sur la position ON (marche). Ce voyant passe automatiquement du rouge au vert dès que l'unité principale a été mise sous tension.

## Panneau arrière (unité surround arrière)

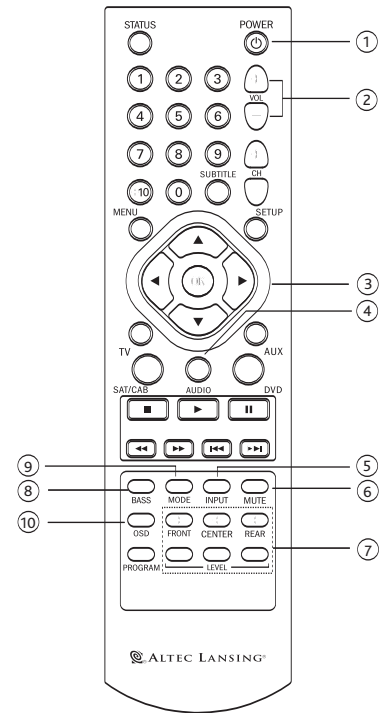


1. Mise sous/hors tension	Met le système sous ou hors tension (ON/OFF).
2. Cordon d'alimentation CA	Se connecte à une prise secteur (C.A.). Se reporter aux indications de fréquence et de plage pour la source de tension, sur le panneau arrière.

## Télécommande

Cette section décrit la fonction de chacune des commandes de la télécommande utilisée avec le PT8051.

Remarque : vous pouvez aussi contrôler chacun des autres composants de votre système avec cette télécommande une fois que vous l'aurez programmée avec les codes de commande à distance appropriés. Consultez la section « Programmation des codes de télécommande » de ce manuel.



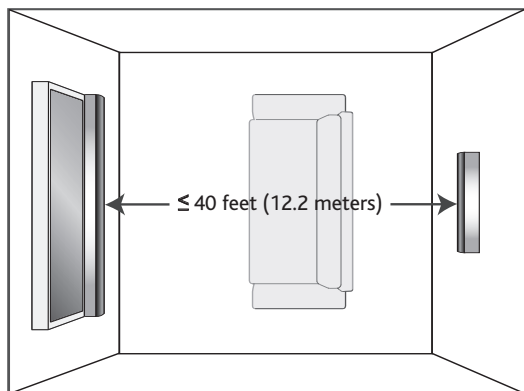
1. POWER	Permet de faire passer le système du mode actif au mode de veille.
2. VOL +/-	Augmente ou diminue le niveau du volume sonore global de l'appareil.
3. ◀ ▶ ▲ ▼ et OK	Permet de sélectionner les rubriques désirées sur le menu de configuration (setup) de l'affichage sur écran (On Screen Display ou OSD). Appuyez sur OK pour confirmer.
4. AUDIO	La télécommande ne contrôle que le PT8051, et non le DVD, la TV Satellite/Câble ou les appareils auxiliaires.
5. INPUT	Appuyer sur cette touche pour faire défiler les sources d'entrée audio : DVD, TV/SAT, AUX, DVD numérique, TV/SAT numérique ou AUX numérique).
6. MUTE	Appuyer sur cette touche pour couper le son ou le rétablir.
7. FRONT, CENTER, REAR +/- LEVEL	Augmente ou diminue le volume sonore de chaque canal pour l'unité principale et l'unité surround arrière.
8. BASS	Accentue les basses fréquences ou les tonalités graves émises par le système.
9. MODE	Permet de passer entre les modes DTS, Dolby Digital, Dolby Pro Logic II ou stéréo du système, en fonction des modes audio qui sont disponibles sur votre source audio.
10. OSD	Permet de sortir ou d'entrer en mode de sélection des rubriques désirées sur le menu de configuration (setup) de l'affichage sur écran (On Screen Display, OSD).

## Installation du PT8051

Cette section présente des recommandations pour le choix de l'emplacement et l'installation de votre nouveau PT8051.

Le PT8051 recrée une ambiance sonore réelle à partir de deux composants. Son utilité se voit encore étendue par l'adjonction d'un système de transmission sans fil haut niveau de 2.4 GHz qui élimine le besoin de tirer des câbles reliant l'unité principale à l'enceinte surround, située derrière l'auditeur. Bien que l'emplacement de l'appareil soit moins important que dans le cas de systèmes similaires, nous vous conseillons de suivre ces quelques recommandations pour assurer une qualité sonore optimale.

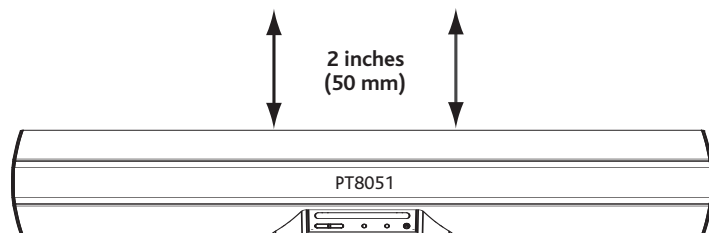
- Évitez de placer l'appareil derrière des meubles ou objets qui peuvent bloquer la grille.
- Positionnez le PT8051 en dessous de la TV, les dialogues paraîtront émaner de celle-ci.
- La distance maximum recommandée entre l'unité principale et l'enceinte surround arrière est approximativement 12.2 mètres.
- L'enceinte surround arrière devrait être placée derrière les auditeurs principaux afin d'obtenir une reproduction maximum des effets sonores du système. Pour obtenir la meilleure reproduction sonore, elle devrait se situer à hauteur des oreilles des auditeurs lorsqu'ils sont assis en position d'écoute.
- Évitez de placer le PT8051 sur, ou à proximité de surfaces susceptibles de vibrer.



## Placement du PT8051

Les deux composants du PT8051 peuvent être placés sur une surface plane ou montés sur leur support mural à l'aide du matériel fourni.

## Notice de sécurité du matériel :



- Assurez-vous de ménager un espace suffisant pour la ventilation – 5 cm au moins au-dessus de chacun des deux composants : l'unité principale et l'enceinte surround arrière.
- Il n'est pas recommandé de poser l'appareil directement sur le sol.
- L'unité principale du PT8051 pèse 8 kilos environ (18,1 livres). L'unité surround arrière pèse 4,5 kilos environ (9,8 livres). Assurez-vous de placer les unités en un endroit où elles sont protégées contre les chutes, et hors de portée des enfants.
- N'installez pas l'une ou l'autre des unités directement au-dessus d'un tube cathodique, les champs magnétiques pouvant parasiter la réception sur l'écran TV.

## Montage mural

Si vous choisissez de monter le PT8051 sur un mur, suivez ces étapes :

1. Choisissez un emplacement favorable pour chacun des composants, et de telle sorte que leur cordon d'alimentation puisse atteindre une prise de courant.
2. Positionnez, puis mettez à niveau les supports de montage aux endroits choisis sur le mur.
3. En évitant de toucher câbles, fils ou tuyaux éventuellement cachés à l'intérieur de la cloison, fixez le support au mur en vous servant des vis ou des douilles de centrage appropriées. Si vous ne trouvez pas les systèmes de fixation adéquats ou si vous êtes dans l'impossibilité de déterminer si la cloison contient fils ou tuyaux, consultez un homme de métier.
4. Placez l'enceinte sur le support de montage en faisant correspondre les deux orifices en forme de boutonnière à l'arrière de l'enceinte avec les montants du support. Vérifiez si le support de montage et l'enceinte sont fermement fixés au mur.

Attention : le support de montage ne doit être installé que par les personnes qualifiées. Le support de montage peut être installé sur plusieurs types de murs. Correctement installé, le support de montage peut supporter au moins 45 kg. (100 livres). L'installateur doit s'assurer que la paroi sur laquelle est monté le support est capable de supporter un poids de 45 kg. L'installateur qualifié doit aussi choisir les vis et matériels de fixation de manière à satisfaire aux tolérances de poids imposées par le type de mur ou cloison.

## Placement du PT8051 sur un socle ou trépied

Vous pouvez monter votre TV sur un socle ou trépied disponible dans le commerce et placer l'unité principale du PT8051 sous votre TV. Assurez-vous que le support utilisé est capable de supporter le poids de la TV, du PT8051 et de tous autres objets que vous posez dessus.

Remarque : consultez les instructions fournies avec le support choisi pour déterminer la manière d'y agencer le PT8051 et la TV.

Remarque : le placement de cet appareil sur les meubles en bois recouverts de certaines finitions, telles que les vernis transparents, est susceptible de les endommager. Consultez les instructions fournies par le fabricant du meuble pour déterminer les types d'objets qui peuvent être placés sur la surface de bois. Altec Lansing ne saurait être responsable pour tout dommage causé aux surfaces de bois mises en contact avec cet appareil.

## Installation du PT8051

Avertissement : ne branchez pas le cordon d'alimentation du PT8051 dans une prise de courant avant d'avoir branché d'autres sources audio, telles que votre TV, lecteur DVD, tuner satellite ou une autre source audio. Par ailleurs, mettez hors tension toutes les sources audio avant de les connecter au PT8051.

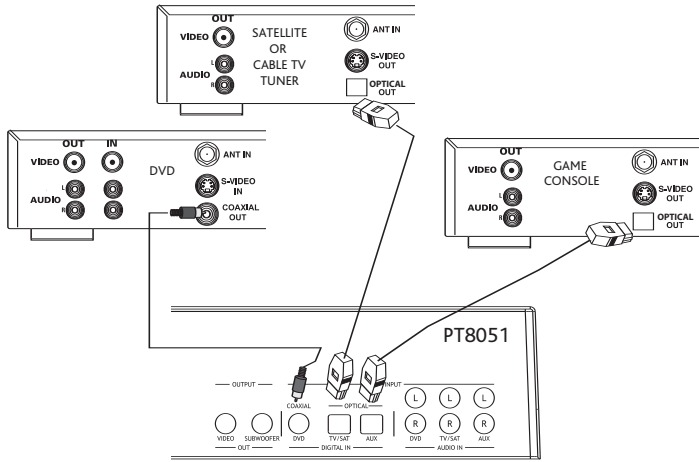
Le PT8051 est conçu pour connecter les composants périphériques tels que lecteurs DVD, TV satellites, tuners câble, magnétoscopes, consoles de jeux et télévisions. Le PT8051 peut se connecter aux matériels dont proviennent les signaux audio (DVD, magnéto, etc.) en utilisant soit une connexion numérique (coaxiale ou optique), soit une connexion analogique. Dans les cas où les composants externes possèdent à la fois des sorties numériques et des sorties analogiques, par exemple votre lecteur DVD, nous vous recommandons d'utiliser la sortie numérique pour assurer la meilleure qualité sonore possible, ainsi qu'une reproduction optimale de l'effet de son surround.

## Connexion d'appareils équipés d'une sortie numérique (lecteurs DVD, DVR, etc.)

Le PT8051 peut accepter les signaux numériques à l'entrée utilisant les câbles optiques ou coaxiaux standard, disponibles dans le commerce.



## Exemples de connexions numériques



Pour connecter l'appareil à une source audio numérique :

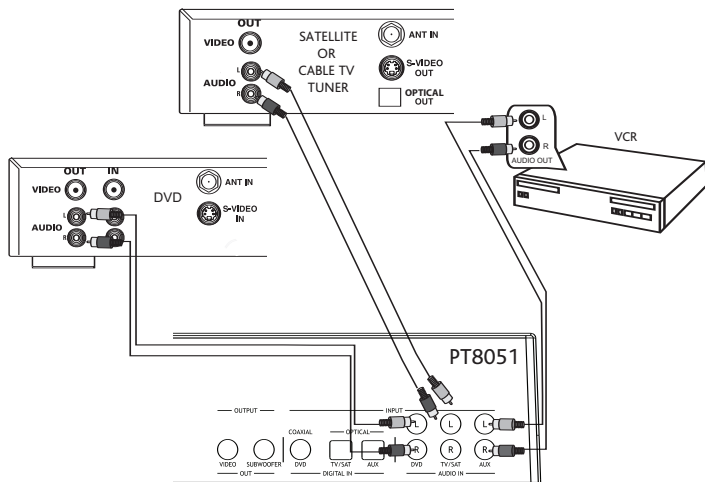
- Servez-vous d'un câble coaxial pour connecter la prise COAXIAL IN (DVD) du PT8051 au jack coaxial de sortie côté lecteur DVD.
- Utilisez un câble optique pour connecter la prise OPTICAL IN (AUX) du PT8051 à la prise optique de la source audio, par exemple une console de jeux ou un enregistreur vidéo numérique.
- Utilisez un câble optique pour connecter la prise OPTICAL IN (TV/SAT) du PT8051 à la prise de sortie optique du tuner satellite ou du tuner de télévision câblée.

Remarque : lors de la connexion d'un lecteur DVD, nous vous recommandons d'utiliser l'entrée coaxiale qui se trouve à l'arrière du PT8051. Toutefois, si votre lecteur DVD n'a qu'une sortie optique, celle-ci peut être connectée à l'entrée AUX.

## Connexion d'appareils équipés d'une sortie audio analogique (magnétoscopes ou appareils similaires)

Pour connecter le PT8051 à un magnétophone ou à un appareil audio analogique similaire, connectez les câbles comme indiqué sur le schéma ci-dessous.

### Connexions audio analogiques

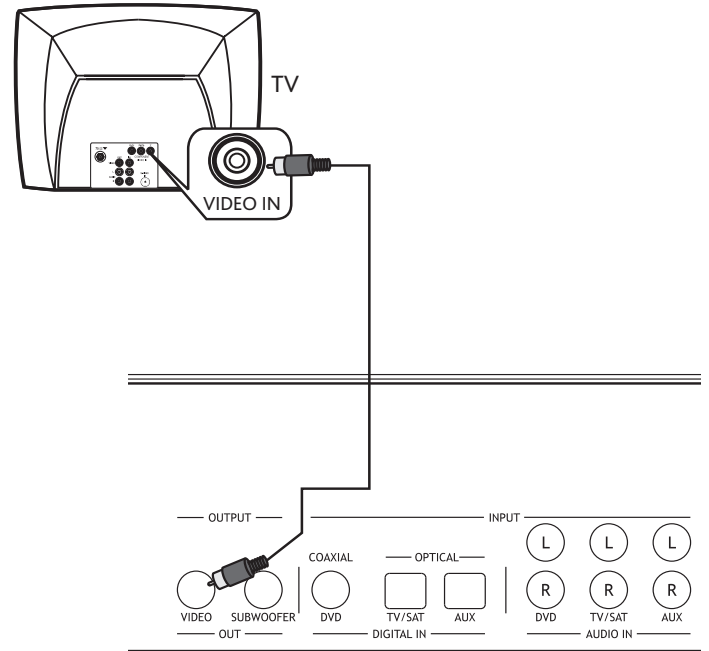


Pour connecter un signal audio provenant d'un appareil analogique (magnétophone, etc.) :

- Utilisez un câble audio stéréo standard pour connecter les prises AUDIO IN (AUX) du PT8051 aux prises de sortie audio du magnétophone ou source audio similaire. Assurez-vous que les câbles sont connectés correctement en vérifiant les connexions gauches et droites du côté du PT8051 comme de celui de l'appareil source.

- Utilisez un câble audio stéréo standard pour connecter les prises AUDIO IN (TV/SAT) aux prises sortie audio du tuner TV satellite ou câble. Si votre tuner TV satellite ou câble possède une sortie numérique, cette entrée peut servir pour un autre appareil.
- Utilisez un câble audio stéréo standard pour connecter la prise AUDIO IN (DVD) à la prise sortie audio du lecteur DVD. Si vous avez utilisé un câble optique ou un câble coaxial numérique pour connecter votre lecteur DVD, cette entrée peut servir pour un autre appareil.

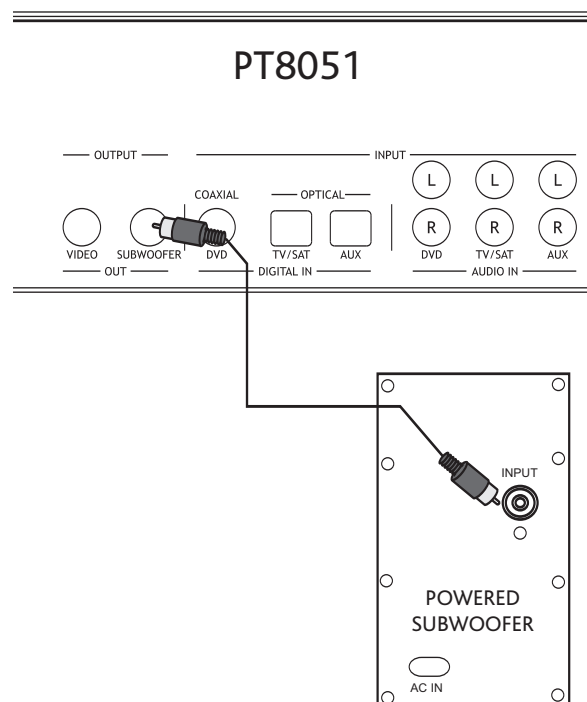
### Connexion vidéo



Pour connecter la sortie vidéo :

- Vous servant du A/V fourni, branchez l'une de ses extrémités codées en jaune à la prise VIDEO OUT du PT8051 et l'autre extrémité jaune à l'entrée vidéo de la TV. Cette connexion vous permet de visualiser l'affichage superposé sur écran (OSD) sur votre TV lorsque l'entrée correspondante est choisie.

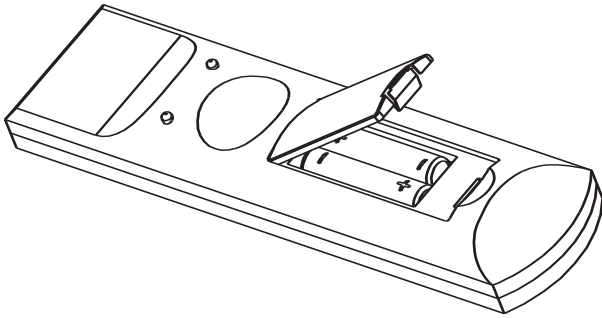
### Connexion d'un subwoofer



Pour connecter un subwoofer optionnel :

- Utilisez un câble audio mono optionnel du commerce pour connecter la prise de sortie SUBWOOFER OUT, sur l'arrière du PT8051, à la prise SUBWOOFER INPUT du subwoofer.

#### Préparation de la télécommande



#### Installation des piles

- Appuyez sur le levier, au dos de la télécommande, pour retirer le couvercle du compartiment des piles.
- Insérez deux piles AAA.
- Remettez le couvercle du compartiment des piles.

#### Remarques :

- Remplacez toutes les piles si vous remarquez que la distance de fonctionnement de la télécommande est diminuée, si le voyant lumineux ne clignote plus, ou si son intensité diminue.
- N'utilisez pas ensemble des piles déjà en partie usées et des piles neuves.
- N'utilisez pas ensemble de piles de types différents, par exemple des piles alcalines avec des piles au manganèse. Lisez attentivement l'emballage des piles, en effet ces piles de types différents peuvent être de formes et de couleurs similaires.
- Les piles usées peuvent présenter des fuites. Si les piles fuient, jetez-les immédiatement. Évitez de toucher ce liquide, ou de le mettre en contact avec la peau ou les vêtements. Nettoyez soigneusement le compartiment des piles avant d'y installer de nouvelles piles.
- Ne jetez pas les piles avec les ordures ménagères. Éliminez les piles conformément à la réglementation locale.

### Fonctionnement de base

- Une fois toutes les connexions vidéo assurées, vous pouvez brancher les cordons d'alimentation CA du PT8051 à leurs prises de courant secteur respectives.
- Mettez l'interrupteur marche/arrêt du panneau arrière du PT8051 en position « marche ». Le PT8051 passe en mode de veille (STANDBY). Le voyant LED d'alimentation du panneau avant s'allume en rouge, confirmant que l'appareil est en mode de veille.
- Appuyez sur le bouton POWER, sur le panneau avant du PT8051. Le voyant LED d'alimentation passe du rouge au vert, confirmant que l'appareil est allumé. Le voyant LED placé sur l'unité surround arrière s'allume une fois que l'unité principale a été mise sous tension.
- Commencez la lecture sur le lecteur DVD ou sur tout autre appareil que vous désirez écouter.
- Sélectionnez l'entrée audio adéquate en vous servant du bouton INPUT du panneau avant ou de la télécommande. Le voyant LED correspondant s'illumine pour confirmer la sélection de l'entrée.
- Sélectionnez le mode audio adéquat en vous servant du bouton MODE du panneau avant ou de la télécommande. Pour la plupart des appareils, vous avez le choix entre le mode surround et le mode stéréo.
- Réglez le volume du système à l'aide des boutons VOL +/- sur la télécommande ou sur le panneau avant.

### Fonctionnement avancé

#### Réglage du niveau des canaux (enceintes)

Les niveaux respectifs peuvent être réglés pour l'avant, le centre et l'arrière, ou pour les canaux surround, en utilisant les touches de réglage du niveau +/- sur la télécommande. Ces niveaux devraient être réglés pour que tous les canaux soient à un niveau de volume similaire lorsque l'auditeur est assis, en utilisant la fonction Test Tone, décrite à la section qui suit, consacrée au menu Setup, le menu de configuration.

Les réglages s'effectuent en :

- Appuyant sur LEVEL (Front [avant] +/-, Center [centre] +/- et Rear [arrière] +/-) pour chacun des canaux. Le niveau des canaux se superpose sur l'écran de la TV.
- La plage de réglage pour chaque canal va de -10 dB à +10 dB, par pas de 1 dB. Au départ, le volume est de 00 dB.

#### Menu Setup

Le menu Setup (configuration) s'affiche sur l'écran de votre TV, superposé à l'écran (OSD). Le menu sur écran ne fonctionne que si une connexion vidéo a été établie, comme nous l'avons décrit à la section « Connexion vidéo » de ce manuel. Il vous est possible de modifier la langue d'affichage de votre PT8051, le type de TV utilisé, le paramétrage de la tonalité de test, l'écran de veille et l'égalisateur EQ. Si nécessaire, le menu Setup peut aussi servir à remettre les réglages de l'appareil dans leur configuration à la sortie d'usine.

#### Affichage sur écran

- Pour afficher le menu Setup, appuyez sur la touche OSD (affichage sur écran) de la télécommande.
- Servez-vous des touches ◀ ▶ ▲ ▼ de la télécommande pour passer d'une sélection à l'autre.
- Mettez l'option désirée en surbrillance.
- Appuyez sur la touche OK de la télécommande pour confirmer votre sélection.
- Pour quitter le menu Setup, appuyez sur la touche OSD ou sélectionnez EXIT SETUP sur le menu.

#### Définition de la langue pour l'affichage sur écran

Sélectionnez la langue dans laquelle s'affiche le menu superposé sur l'écran. Le réglage par défaut du menu sur écran OSD est ENGLISH (anglais).

-- MENU DE CONFIGURATION --	
LANGUE OSD	ANGLAIS
TYPE TV	FRANÇAIS
RETARD CENTRE	ALLEMAND
RETARD ARRIÈRE	ESPAGNOL
TONALITÉ TEST	
ÉCRAN VEILLE	
ÉGALISATEUR	
VAL. DÉFAUT	
SORTIE CONFIG	

#### Définition du type de TV

Le système de couleurs choisi pour le PT8051 et la TV devrait être identique. Ce n'est qu'à ce moment qu'il sera possible d'utiliser la fonction OSD sur ce système. Avant de modifier le réglage du système TV, déterminez quel est le système couleur de votre TV.

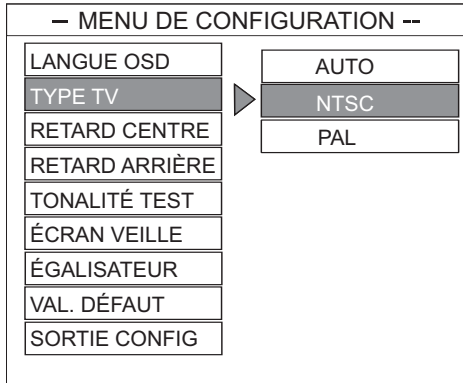
Le réglage par défaut est NTSC. NTSC est utilisé dans plusieurs pays, parmi lesquels les États-Unis, le Canada et le Japon. PAL est utilisé dans

la plupart des pays d'Europe et d'Asie.

**AUTO**: à sélectionner si la TV qui est connectée à l'appareil est à la fois compatible NTSC et PAL.

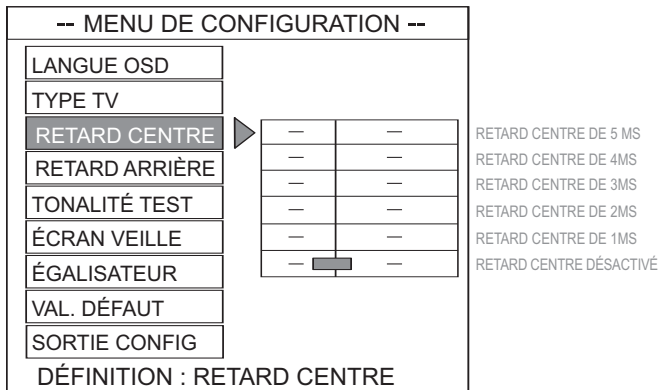
**NTSC**: à sélectionner si la TV qui est connectée à l'appareil a le système couleur NTSC.

**PAL**: à sélectionner si la TV qui est connectée à l'appareil a le système couleur PAL.



### Réglage « Retard canal central »

Ce réglage spécifie la durée du retard imposé au canal central (CENTER). Ce réglage est possible sur la plage de 0 à 5 ms (millisecondes), par pas d'une milliseconde. Ce réglage prend son utilité lorsque l'unité principale du PT8051 ne peut être placée près de l'écran de télévision. En règle générale, une distance de 30 cm est approximativement égale à 1 ms. Si donc l'unité principale de votre PT8051 se trouve se trouve à 30 cm de l'écran, vous pouvez régler le retard du canal central (CENTER DELAY) sur 1 ms. Ce paramètre peut aussi servir à synchroniser le son provenant du PT8051 et l'image vidéo. Le réglage d'usine est CENTER DELAY TURNED OFF (le retard du canal central est désactivé).



### Réglage « Retard arrière »

Ce réglage spécifie la durée du retard imposé au canal arrière (REAR). Ce réglage est possible sur la plage de 0 à 15 ms (millisecondes), par pas de trois millisecondes. Ce paramètre permet de reproduire exactement les données d'effet « surround » qui sont codées sur certains DVD par l'ingénieur du son afin de vous permettre d'adapter les effets sonores aux dimensions de votre salle d'écoute. Pour ce faire, vous procéderiez comme suit.

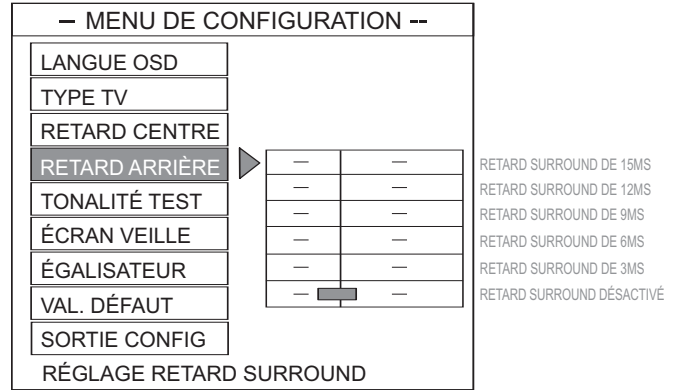
Le retard en millisecondes imposé à l'enceinte (surround) arrière est égal à la différence entre la distance séparant l'auditeur de l'unité principale et la distance séparant l'auditeur de l'enceinte surround arrière.

Supposons par exemple que l'unité principale se trouve à 5 m devant l'auditeur, et que l'enceinte surround se trouve à 1 m derrière lui.

Retard de l'enceinte surround = 5 m - 1 m = 4 m = 4 ms de retard.

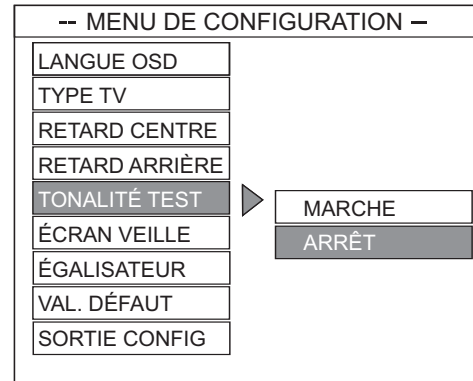
Dans ce cas, vous choisiriez « 3 mS » sur le menu, la valeur la plus proche de 4 ms.

Le principe est de faire parvenir à vos oreilles les sons de l'unité centrale, placée en face de vous, en même temps que ceux de l'enceinte arrière, par rapport au signal envoyé à ces enceintes. Dans le cas de la ou des enceintes placées le plus près de vous, un retard doit être introduit de telle sorte que le son parvienne à vos oreilles au même moment que le son des enceintes placées plus loin, par rapport au signal sonore envoyé à toutes les enceintes en même temps. Le réglage d'usine (réglage par défaut) est REAR DELAY TURNED OFF (le retard du canal arrière est désactivé).



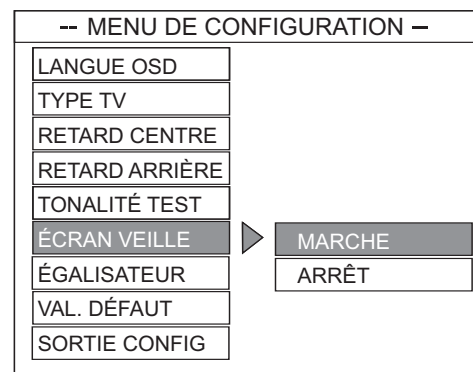
### Définition de la tonalité de test

Lorsque le réglage de ce paramètre est ON (activé), le système effectue le test de sortie audio sur les enceintes en utilisant une tonalité générée par l'appareil de manière interne. Le signal de test est envoyé séquentiellement sur plusieurs canaux. Le réglage par défaut est OFF (désactivé).



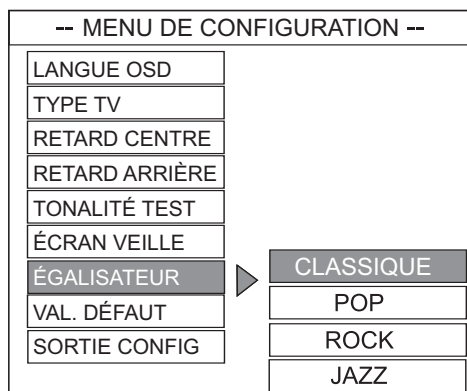
### Réglage de l'écran de veille

Lorsque ce réglage est ON (activé), le PT8051 passe automatiquement en mode d'écran de veille si aucun changement n'a été opéré après cinq minutes. Cette mise de l'écran en état de veille permet de minimiser le phénomène de marquage, qui peut endommager certaines TV au plasma. Le réglage par défaut est ON (activé).



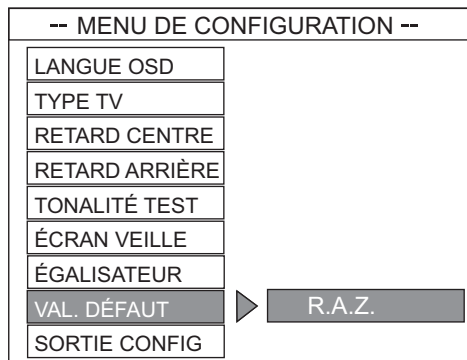
## EQ (Égalisateur)

Cette fonction permet de définir les paramètres de l'égalisateur de fréquence. Vous avez le choix entre CLASSIC (musique classique), POP, ROCK ou JAZZ. Le réglage par défaut est CLASSIC.



## Réglage par défaut

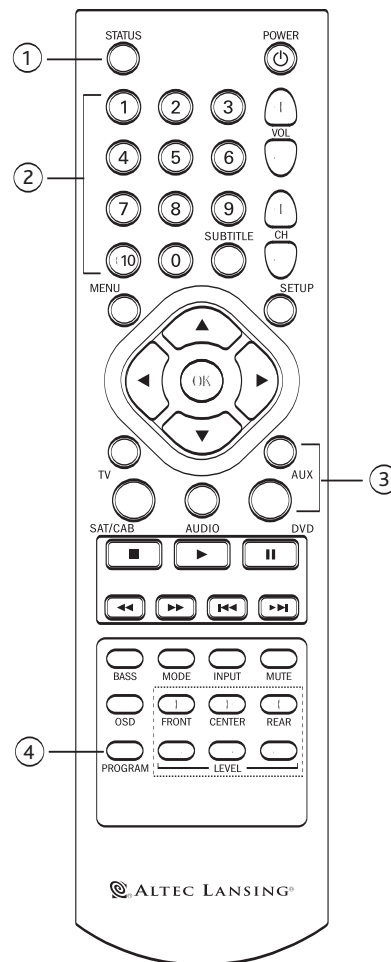
Si vous sélectionnez RESET, tous les paramètres du menu Setup seront remis en l'état où ils étaient à la sortie d'usine, comme indiqué précédemment.



## Fonctionnement de la télécommande du PT8051

Votre télécommande contrôle votre PT8051 ; vous pouvez aussi la programmer pour lui faire contrôler les autres composants audio et vidéo de votre système qui proviennent d'autres fabricants.

Il est possible de paramétrer des codes permettant le contrôle de chaque appareil : TV, SAT/CAB, AUDIO, DVD et AUX.



1. STATUS	Indique l'état dans lequel fonctionne la télécommande après l'appui sur certaines touches. Il s'allume en continu pour indiquer que la télécommande est en mode de programmation.
2. TOUCHES NUMÉRIQUES	Permettent d'entrer les codes de télécommande préprogrammés pour les autres appareils.
3. TOUCHES DES PÉRIPHÉRIQUES	Permettent de programmer les modes d'autres appareils ou de passer de l'un à l'autre.
4. PROGRAM	Indique l'état dans lequel fonctionne la télécommande après l'appui sur certaines touches. Il s'allume en continu pour indiquer que la télécommande est en mode de programmation.

## Code de contrôle préprogrammés par défaut

La télécommande de votre PT8051 contient les codes par défaut préprogrammés du tableau ci-dessous. Si l'appareil que vous utilisez ne figure pas dans la liste, veuillez consulter la liste de la section Codes de contrôle préprogrammés des pages suivantes. Vous pouvez aussi utiliser la procédure de recherche décrite à la section Recherche de codes de contrôle de télécommande.

Appareils	Code initial	Matériel
TV	082	TV Philips
SAT/CAB	039	Décodeur Philips
AUDIO	900	Altec Lansing PT8051
AUX	144	Magnétoscope Panasonic
DVD	124	DVD Sony

## Programmation des codes de télécommande

Cherchez la marque, le nom de modèle et le numéro de code de vos composants dans la section Codes de contrôle préprogrammés de ce manuel, puis procédez comme suit :

- Tout en maintenant l'appui sur la touche PROGRAM, appuyez sur la touche du type d'appareil que vous désirez programmer, à savoir TV, DVD, CAB/SAT ou AUX.
- La LED « Status » s'allume.
- Relâchez les deux touches.
- Entrez le NUMÉRO DE CODE de votre appareil en vous servant des touches numériques de la télécommande. Si le NUMÉRO DE CODE est correct, la LED clignote deux fois pour indiquer que le code a été programmé. Si le numéro de code n'est pas correct, la LED clignote deux fois et s'allume.
- Vérifiez si la télécommande est capable de contrôler l'appareil que vous venez de programmer en vous servant des touches CH+/- ou d'une touche similaire pour le contrôler. Si la télécommande ne contrôle pas l'appareil, recommencez l'opération.

Remarque : si vous désirez quitter le mode Setup, appuyez sur le bouton de l'appareil (TV, SAT/CAB, DVD, etc.). Si vous n'appuyez sur aucune autre touche pendant 10 secondes, la télécommande sort automatiquement du mode SETUP.

## Recherche de codes de contrôle de télécommande

Si vous ne trouvez pas dans la section Codes de contrôle préprogrammés de ce manuel le numéro de code correspondant à votre matériel, la télécommande du PT8051 peut chercher, dans la base de données qu'elle contient, un code de contrôle approprié. La télécommande du PT8051 trouvera le meilleur code de contrôle possible, et ce, pour n'importe quelle source audio.

Pour faire une recherche de codes, procédez comme suit :

- Allumez l'appareil pour lequel vous recherchez un code de contrôle (TV, SAT/CAB, DVD, AUX, etc.).
- Sur la télécommande du PT8051, appuyez et maintenez l'appui sur la touche PROGRAM tout en appuyant sur le bouton du type d'appareil que vous recherchez (TV, SAT/CAB, DVD, AUX, etc.).
- La LED « STATUS » du PT8051 s'allume et reste allumée.
- Appuyez sur le bouton PROGRAM, puis relâchez-le. La LED clignote pour indiquer que la télécommande vient de passer en mode de recherche.

- En pointant la télécommande du PT8051 vers l'appareil que vous désirez contrôler, appuyez et relâchez, lentement et à plusieurs reprises, le bouton de mise sous tension POWER. Le PT8051 envoie un code POWER (alimentation) différent à l'appareil chaque fois que vous appuyez sur la touche POWER.
- Une fois que l'appareil que vous désirez contrôler s'éteint, arrêtez immédiatement d'appuyer sur la touche POWER et appuyez une fois encore sur la touche du type d'appareil (TV, SAT/CAB, DVD, AUX, etc.).
- Le PT8051 devrait maintenant être correctement programmé pour contrôler votre appareil.
- Vous pouvez vérifier cette programmation en allumant l'appareil et en donnant une autre commande, telle que PLAY (lecture) ou STOP (arrêt), pour un lecteur de DVD, ou CHANNEL (canal) +/- pour un décodeur satellite.

Remarque : bien que, dans cet exemple, c'est la touche POWER qui est utilisée, vous pouvez utiliser d'autres commandes, telles que la touche PLAY pour les appareils qui n'ont pas de touche POWER. Dans ce cas, le PT8051 utilisera la touche PLAY pour faire sa recherche. Utilisez simplement le bouton PLAY à la place du bouton POWER, comme décrit ci-dessus, en vous assurant que l'appareil que vous désirez contrôler est prêt à entrer en mode de lecture et qu'un disque DVD ou une cassette est chargée, que l'appareil est bien allumé, etc.

## Dépannage

Symptôme	Problème possible	Solution
Pas d'alimentation.	L'un des cordons d'alimentation, ou les deux cordons ne sont pas branchés, ou l'unité principale et l'enceinte arrière n'ont pas été allumées.	Branchez le cordon d'alimentation CA du PT8051 dans une prise de courant alternatif appropriée. Ensuite, mettez le PT8051 sous tension en appuyant sur la touche ON/OFF (marche/arrêt) à l'arrière l'appareil ; faites ceci pour les deux composants.
	L'interrupteur d'alimentation du panneau arrière n'est pas en position de marche pour l'un, ou les deux composants.	Mettez-le en position « marche ».
	Un dispositif de sécurité a mis le PT8051 hors tension.	Débranchez le cordon d'alimentation du PT8051 de la prise de courant et rebranchez-le une nouvelle fois pour que l'appareil se réinitialise.
Le réglage du volume est trop faible.	Le réglage du volume est trop faible.	Les touches « + » et « - » situées sur la partie supérieure de la télécommande du PT8051 commandent le volume général. Maintenez la touche « + » enfoncée pour augmenter le niveau du volume.
	Câble mal connecté ou absent sur le PT8051 ou l'appareil source.	Vérifiez si les câbles sont correctement et fermement enfoncés côté PT8051 et côté appareil source.
	La fonction MUTE (muet) est activée.	Assurez-vous que la fonction MUTE n'est pas activée.
Pas d'affichage OSD sur écran.	Le câble vidéo est mal attaché ou est manquant.	Vérifiez si le câble vidéo est connecté et correctement enfiché dans la sortie VIDEO OUTPUT du PT8051 et dans l'entrée vidéo de la TV.
	La mauvaise entrée est sélectionnée sur la TV.	Sélectionnez l'entrée correcte sur la TV, celle qui correspond à l'endroit où le câble VIDEO OUT venant du PT8051 est connecté.
Aucun son n'est émis par l'enceinte.	L'interrupteur d'alimentation du panneau arrière n'est pas en position de marche pour l'un, ou les deux composants.	Mettez-le en position « marche ».
	Il n'y a pas de données d'effet « surround » sur la piste sonore du DVD.	Il est normal de ne pas entendre d'effet « surround » dans tous les cas.
	Le réglage du volume arrière (REAR) est trop faible.	Remontez le niveau du volume arrière (REAR +/-) en utilisant la télécommande.
	L'enceinte arrière a perdu sa synchronisation avec l'unité principale. Ceci est confirmé par le voyant WIRELESS (sans fil) qui clignote à l'arrière de l'enceinte surround arrière.	Assurez-vous que les deux composants, avant et arrière, se trouvent bien à une distance inférieure à 12,2 mètres (40 pieds) l'un de l'autre. Pour resynchroniser manuellement les deux unités (principale et arrière), appuyez sur le bouton CONNECT qui se trouve sur le panneau arrière de l'unité principale. Une fois la synchronisation effectuée, le voyant WIRELESS (sans fil), sur le panneau arrière de l'enceinte surround arrière, arrête de clignoter et reste allumé en permanence.

## Caractéristiques techniques

Tension d'alimentation nominale	120 V CA/60 Hz
Consommation de courant	25 W (unité princ.) 20 W (enceinte surround arr.)
Rapport signal/bruit	(pondéré A) >75 dB
Dimensions (L x P x H)	1016 mm x 170 mm x 152 mm (40 x 6 <sup>3</sup> / <sub>4</sub> x 6 po.) 560 mm x 170 mm x 152 mm (22 x 6 <sup>3</sup> / <sub>4</sub> x 6 po.) (unité surround arr.)
Poids	8,2 kg. (unité princ.) 4,4 kg. (unité surround arr.)
Puissance de sortie	125 Watts (5 x 25) tension moyenne continue
Amplificateurs	Trois pilotes numériques NXT Flat Panel 2 x 8 po (50 x 200 mm) (unité principale) 58 mm x 100 mm (2.3 x 4 po) (unité surround arr.)
Entrées audio numériques	Trois optiques/une coaxiale
Entrées audio analogiques	Stéréo x 3
Sorties audio analogiques	Subwoofer x 1
Sortie vidéo	Composite x 1
Réponse en fréquence	70 Hz à 20 kHz +/- 3dB
Fréquence de transmission sans fil	2,4 GHz
Portée de transmission sans fil	12,2 mètres (40 pieds)



La figura de relámpago que termina en punta de flecha y se encuentra dentro de un triángulo equilátero, tiene por finalidad alertar al usuario de la presencia de "voltaje peligroso" sin aislamiento en el interior del producto que podría tener potencia suficiente para constituir riesgo de choque eléctrico para las personas.



Precaución: Para evitar el riesgo de choque eléctrico, no retire la cubierta (o parte posterior). En su interior hay piezas que no debe manipular el usuario. El servicio debe realizarlo personal de servicio calificado.



El signo de exclamación que se encuentra dentro de un triángulo equilátero tiene por finalidad alertar al usuario de la presencia de importantes instrucciones de operación y mantenimiento (servicio) en la literatura que viene incluida con el artefacto.

## PRECAUCIÓN

Para evitar choques eléctricos no utilice este enchufe (polarizado) con una extensión, receptáculo u otra toma de corriente a menos que se pueda insertar completamente las cuchillas para evitar que estas queden expuestas.

## ADVERTENCIA

Para reducir el riesgo de incendio o choque eléctrico, no exponga el artefacto a la lluvia o humedad.

## INSTRUCCIONES IMPORTANTES DE SEGURIDAD

1. Lea estas instrucciones.
2. Guarde estas instrucciones.
3. Preste atención a todas las advertencias.
4. Siga todas las instrucciones.
5. No use este aparato cerca del agua — El aparato no debe estar expuesto a goteo o salpicaduras, y no se deben colocar encima objetos llenos de agua, como jarrones.
6. Limpie únicamente con un paño seco.
7. No bloquee ninguna abertura de ventilación. Efectúe la instalación según las instrucciones del fabricante. No coloque el aparato sobre una cama, sofá, alfombra o superficie similar que pueda bloquear las aberturas de ventilación. El aparato no se debe colocar en una instalación empotrada, como un estante o armario cerrado que pueda impedir el flujo de aire a través de las aberturas de ventilación. No impida la ventilación cubriendo las aberturas con artículos como periódico, manteles, cortinas, etc.
8. No instale el aparato cerca de fuentes de calor como radiadores, termorregistradores, hornos u otros aparatos (incluyendo amplificadores) que produzcan calor.
9. Las fuentes de llama descubierta, como velas encendidas, no se deben colocar sobre el aparato.
10. No anule el propósito de seguridad del enchufe tipo conector a tierra o polarizado. Un enchufe polarizado tiene dos puntas, una más ancha que la otra. Un enchufe de tipo conexión a tierra tiene dos cuchillas y una tercera cuchilla que se conecta a tierra. La cuchilla ancha o tercera cuchilla se proporciona para su seguridad. Si el enchufe proporcionado no encaja en su tomacorriente, consulte con un electricista para reemplazar el tomacorriente obsoleto.
11. Proteja el cordón de alimentación para que no lo pisen o presen — especialmente en los puntos de enchufes, receptáculos, y el lugar donde salen del aparato.
12. No lo instale en un área que impida el acceso al enchufe de alimentación. El único medio de impedir completamente el ingreso de suministro eléctrico al producto es desconectar el enchufe de alimentación que debe estar accesible en todo momento.
13. Fuente de alimentación — Use únicamente fuentes de alimentación del tipo especificado en las instrucciones de operación o como se indique en el artefacto. Si se incluye una fuente de alimentación separada con este aparato no la sustituya con ninguna otra fuente de alimentación — use únicamente fuentes de alimentación suministradas por el fabricante.
14. Desenchufe el aparato durante las tormentas eléctricas o cuando permanezca sin uso por largos periodos de tiempo.
15. Para realizar el servicio técnico acuda al personal de servicio calificado. Es necesario que se efectúe el servicio técnico cuando el aparato se haya dañado de alguna forma, como por ejemplo, cuando el cordón o enchufe de alimentación esté dañado o cuando se haya derramado líquido o se hayan caído objetos dentro del aparato, o que el mismo haya estado expuesto a la lluvia o humedad, no funcione normalmente o se haya dejado caer. Para efectuar el servicio técnico, envíe el artefacto al personal de servicio calificado, devuélvalo al distribuidor o llame a la línea de servicio de Altec Lansing para solicitar ayuda.
16. Para los productos que usan baterías, refiérase a las normas locales para disponer de ellas de manera adecuada.
17. Use solamente dispositivos/accesorios especificados por el fabricante.
18. Use solamente con el carro, plataforma, trípode, soporte o mesa especificados por el fabricante o que se vendan con el aparato. Cuando use un carro, tenga precaución al mover la combinación carro/aparato para evitar lesionarse si el sistema se da vuelta.



## Altec Lansing Garantía limitada de un año (Garantía limitada de dos años en la Unión Europea y Asia)

**¿Qué cubre la garantía?** Altec Lansing garantiza que sus productos no tendrán defectos de material o de mano de obra, con las excepciones que se indican a continuación. ¿Cuál es el periodo de cobertura? Para las unidades adquiridas en la Unión Europea o Asia, la garantía es de dos años, contados a partir de la fecha de compra. Para las unidades no adquiridas en la Unión Europea o Asia, la garantía es de un año, contado a partir de la fecha de compra. El término de cualquiera de las garantías de acuerdo a ley deberá expirar al vencimiento de la garantía limitada. Algunos estados y/o Estados Miembros de la Unión Europea no permiten limitaciones en el periodo de vigencia de la garantía, por lo tanto, las limitaciones antes mencionadas pueden no aplicarse a su caso.

**¿Qué es lo que no cubre la garantía?** La presente garantía no cubre cualquier defecto, mal funcionamiento o falla que resulte de: instalación inadecuada, mal uso o incumplimiento de las instrucciones del producto; abuso o uso con equipo inadecuado, no correspondiente o defectuoso. (Para obtener información sobre la instalación, operación y uso adecuado consulte el manual proporcionado con el producto. Si necesita un manual de reemplazo, puede descargar un manual visitando [www.alteclansing.com](http://www.alteclansing.com)). Asimismo, los daños incidentales e indirectos no son recuperables de acuerdo con esta garantía. Algunos estados no permiten exclusiones o limitaciones por daños incidentales o indirectos, por lo tanto, dicha limitación o exclusión es posible que no sea aplicable a su caso.

**¿Qué hará Altec Lansing para corregir el problema?** Altec Lansing, de acuerdo a su criterio, reparará o reemplazará cualquier producto que presente defectos en el material o en la mano de obra. Si su producto ya no se fabrica más, o está agotado, de acuerdo a su criterio, Altec Lansing puede reemplazarlo con otro producto similar o mejor de Altec Lansing.

**Cómo obtener servicio de garantía:** Para obtener el reemplazo o reparación de un producto en garantía, debe ponerse en contacto con Altec Lansing durante el periodo de garantía vía correo electrónico a ([csupport@alteclansing.com](mailto:csupport@alteclansing.com)). En su correo electrónico debe colocar su nombre, dirección, dirección de correo electrónico, número de teléfono, fecha de compra y una descripción completa del problema experimentado. En los Estados Unidos, también puede comunicarse con Altec Lansing llamando al teléfono 1-800-ALTEC88 — por favor esté listo para proporcionar la misma información. Si el problema aparenta ser un defecto en el material o mano de obra, Altec Lansing le proporcionará una autorización de devolución y las instrucciones para el envío de la misma. Los envíos de devolución deberán ser pagados por el cliente, y el envío deberá incluir el comprobante de compra original. Deberá asegurar el envío en forma adecuada puesto que usted es el responsable del producto hasta que éste llegue a Altec Lansing.

**¿Cómo afectará la legislación estatal sus derechos?** Esta garantía le brinda derechos legales específicos, y además puede contar con otros derechos que pueden variar de estado a estado. Tome nota que en la Unión Europea, en su calidad de consumidor, podría tener otros derechos de ley de acuerdo a la legislación nacional de los Estados Miembros de la Unión Europea que rigen la venta de mercadería de Altec Lansing. Esos derechos no se verán afectados por la presente garantía.

Las garantías y recursos limitados antes mencionados constituyen las garantías y recursos exclusivos disponibles para el comprador, siempre y cuando, y en la medida en que tengan validez y sean exigibles bajo la ley aplicable.

## Servicio al cliente

En la Guía de solución de problemas encontrará respuestas a la mayoría de las preguntas sobre configuración y rendimiento. De igual manera, puede consultar la sección de las FAQ (Preguntas y respuestas frecuentes) de nuestro sitio Web en [www.alteclansing.com](http://www.alteclansing.com). Si vive en América del Norte y todavía no puede encontrar la información que necesita, comuníquese con nuestro equipo de servicio al cliente para que le proporcione ayuda antes de devolver los parlantes a su distribuidor en virtud de la política de devolución.

Teléfono: 800-258-3288

Correo electrónico: [csupport@alteclansing.com](mailto:csupport@alteclansing.com)

Si no vive en América del Norte, por favor visite nuestro sitio Web en [www.alteclansing.com](http://www.alteclansing.com) y seleccione su región para ubicar al distribuidor de su país.

Para obtener la información más actualizada, asegúrese de visitar nuestro sitio Web en [www.alteclansing.com](http://www.alteclansing.com).

## Distribución internacional

Clientes internacionales: Para obtener información sobre la distribución de los productos Altec Lansing en su país, visite [www.alteclansing.com](http://www.alteclansing.com) y haga clic en su región.

## Cómo disponer de equipo eléctrico y electrónico antiguo



Este símbolo en el producto o en su empaque indica que este producto no debe tratarse como un desecho doméstico. Por el contrario, debe entregarse en el punto de recolección apropiado para el reciclado de equipo eléctrico y electrónico. Al asegurar que este producto se desecha correctamente, ayudará a prevenir consecuencias potencialmente negativas para el medio ambiente y la salud humana que de otra manera pudiera causar el manejo incorrecto en la disposición apropiada de este producto. El reciclado de materiales ayudará a conservar los recursos naturales. Para obtener información más detallada sobre el reciclado de este producto, póngase en contacto con su oficina local de la ciudad o servicio de desecho doméstico de desperdicios.

# Sistema de Sonido Envolverte PT8051

Gracias por comprar el Wireless Surround Sound System (Sistema de Sonido Envolverte Inalámbrico) PT8051 de Altec Lansing.

El PT8051 está diseñado para reemplazar el receptor A/V tradicional con parlantes separados y suministrar sonido envolvente completo de canales múltiples desde solo dos componentes usando decodificación DTS, Dolby Digital para reproducir fielmente su música favorita y la banda sonora de las películas. La tecnología de amplificador de pantalla plana Digital NXT del sistema PT8051 reproduce de manera exacta el rango de frecuencia completa y suministra todas las sutilezas y la profundidad espacial que poseen los formatos digitales de hoy en día. Además, la transmisión avanzada inalámbrica del PT8051 significa que es fácil experimentar los efectos envolventes de la calidad de teatro sin necesidad de utilizar cables para los parlantes posteriores.

El diseño PT8051 se adapta bien al uso con las presentaciones de pantallas planas de plasma y LCD de formato grande actuales y ambos componentes se pueden adosar a la pared con estas mismas pantallas usando los soportes suministrados. Se incluye un control remoto universal el cual le permite consolidar los controles remotos de varios dispositivos tales como TV, reproductor de DVD y VCR.

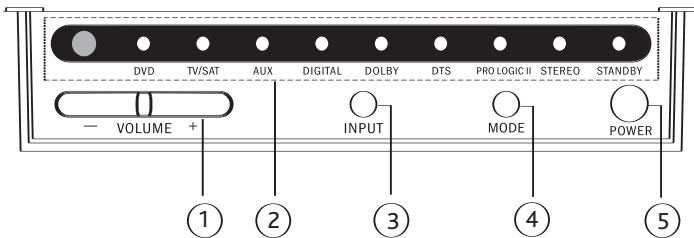
## Contenido

Refiérase a la Tarjeta Quick Connect del PT8051 para identificar estos artículos.

- Unidades envolventes principal y posterior del PT8051
- Control remoto y baterías
- Cable A/V
- Soportes para adosar a la pared (hardware no incluido)
- Guía de usuario e instrucciones de conexión rápida

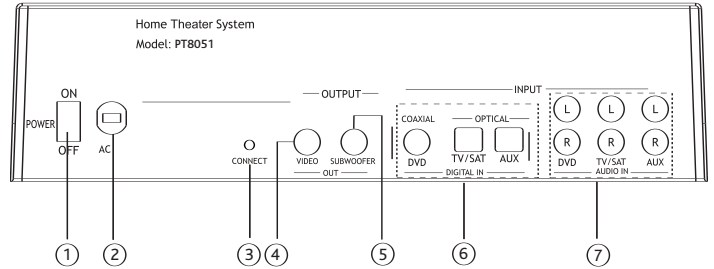
## Controles y conexiones para su PT8051

### Panel frontal (Unidad principal)



1. VOLUMEN +/-	Controla el nivel de volumen de todos los canales de audio.
2. Los indicadores LED	Presenta información sobre el estado de las operaciones.
3. ENTRADA	Mantenga presionado el interruptor entre las fuentes de entrada (DVD, TV/SAT, AUX, DVD digital, TV/SAT digital o AUX digital).
4. MODO	Presione para seleccionar el modo envolvente (DOLBY, DTS o PRO LOGIC II) o estéreo (STEREO).
5. ENCENDIDO	Presione para encender el sistema o cambie a standby (en espera).

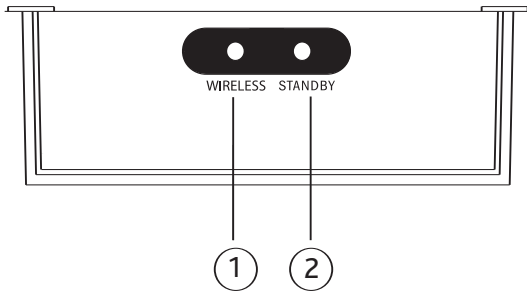
### Panel posterior (Unidad principal)



1. ENCENDIDO/APAGADO	Enciende o apaga el sistema.
2. Cable de alimentación de CA	Conecte a la salida de CA estándar. Consulte el rango de frecuencia y voltaje para la fuente de alimentación que aparece en el panel posterior.
3. CONNECT (CONECTAR)	Presione este botón para sincronizar manualmente el vínculo de audio inalámbrico entre las unidades envolventes principal y posterior. La mayoría de las veces no es necesario usar este botón ya que las unidades se sincronizan automáticamente al encender el sistema.
4. VIDEO OUT (SALIDA DE VIDEO)	Se utiliza para mostrar información de presentación en pantalla. Se conecta a la entrada compuesta de video del TV.
5. SUBWOOFER OUT (SALIDA DE PARLANTE SECUNDARIO PARA GRAVES)	Se utiliza para conectar un parlante secundario para graves opcional si se necesita que el sistema brinde graves adicionales.
6. DIGITAL INPUT (ENTRADA DIGITAL): COAXIAL (DVD IN) (EN DVD)	Se utiliza para conectar el reproductor de DVD que tiene una salida digital coaxial.
ÓPTICA (TV/SAT IN) (EN AUX)	Se usa para conectar un sintonizador digital satelital o sintonizador de TV por cable que tiene una salida de audio óptica.
ÓPTICO (AUX IN)	Se utiliza para conectar a una fuente de sonido auxiliar como una PVR o segundo sintonizador de TV que tiene una salida de audio óptica. También se puede usar para conectar a un reproductor de DVD que tenga una salida óptica pero no una salida coaxial.
7. ENTRADA ANALÓGICA DE AUDIO: DVD IN (EN DVD)	Se utiliza para conectar a un reproductor de DVD con audio una salida analógica.
TV/SAT IN (EN TV/SAT)	Se utiliza para conectar a un sintonizador satelital o de TV con salida de audio analógica.

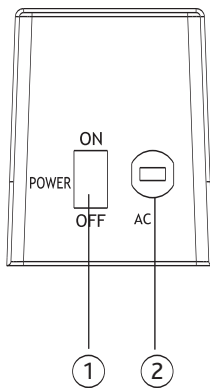


## Panel frontal (Unidad envolvente posterior)



<p>1. INALÁMBRICO</p>	<p>Se ilumina de manera constante cuando los parlantes de sonido envolvente principal y posterior se encuentran sincronizados para indicar que el vínculo de audio inalámbrico está operando normalmente. La sincronización entre la unidad principal y unidad posterior ocurre automáticamente al encender la unidad principal siempre que el interruptor de encendido de la unidad de sonido envolvente posterior ubicada en el panel posterior se encuentre en la posición on (encendido). Produce una luz intermitente cuando las conexiones inalámbricas entre el parlante de sonido envolvente principal y posterior no se encuentra sincronizado. Para volver a sincronizar manualmente las unidades de sonido envolvente principal y posterior, presione el botón CONNECT (CONECTAR) ubicado en el panel posterior de la unidad principal.</p>
<p>2. STANDBY (EN ESPERA)</p>	<p>Se ilumina cuando la unidad se encuentra enchufada y el interruptor POWER ON/OFF (ENCENDIDO/APAGADO) ubicado en el panel posterior está en la posición ON (ENCENDIDO). Esta luz pasará automáticamente de rojo a verde al encenderse la unidad principal.</p>

## Panel posterior (Unidad envolvente posterior)

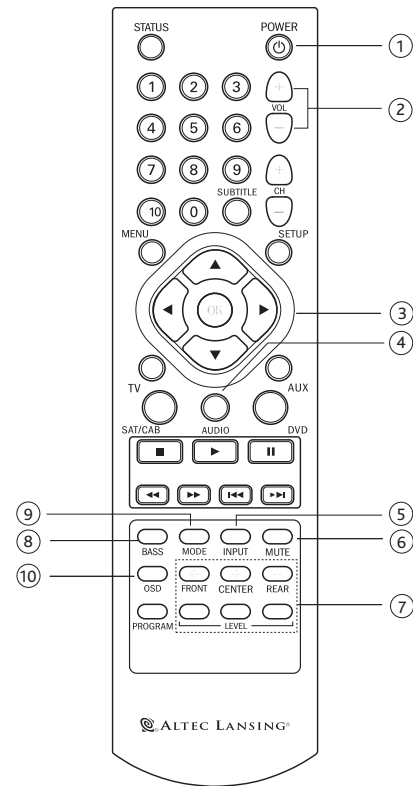


<p>1. ENCENDIDO/APAGADO</p>	<p>Enciende o apaga el sistema.</p>
<p>2. Cable de alimentación de CA</p>	<p>Conecte a la salida de CA estándar. Consulte el rango de frecuencia y voltaje para la fuente de alimentación que aparece en el panel posterior.</p>

## Control remoto

La presente sección describe la función de cada control en el control remoto usado para controlar el PT8051.

Nota: También puede controlar los demás componentes usando el control remoto una vez que haya establecido los códigos de control remoto adecuados. Revise la sección "Programación de los códigos de control remoto de los dispositivos" de este manual.



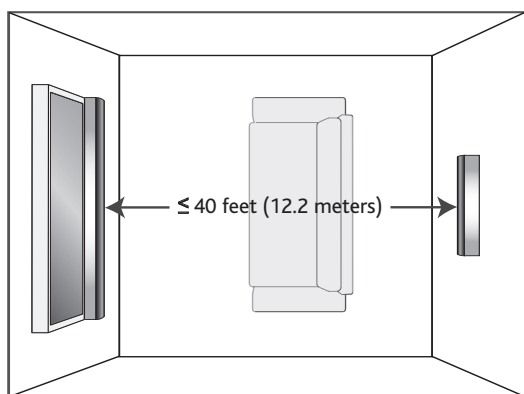
<p>1. ENCENDIDO</p>	<p>Utilice para cambiar entre los modos On (encendido) y Standby (en espera).</p>
<p>2. VOL +/-</p>	<p>Aumenta o disminuye el nivel de volumen general de la unidad.</p>
<p>3. ◀ ▶ ▲ ▼ y OK</p>	<p>Mueva para destacar los ítems en el menú de presentación en pantalla (OSD). Presione OK para confirmar.</p>
<p>4. AUDIO</p>	<p>Configura las claves compartidas del control remoto para controlar el PT8051 en oposición a los dispositivos DVD, TV, SAT/CAB o AUX.</p>
<p>5. INPUT (ENTRADA)</p>	<p>Presione para moverse a través de las entradas – DVD, TV/SAT, AUX, DVD digital, TV/SAT digital y AUX digital).</p>
<p>6. MUTE (SILENCIO)</p>	<p>Presione para apagar o restaurar el sonido.</p>
<p>7. NIVEL +/- FRONTAL, CENTRAL, POSTERIOR</p>	<p>Aumenta o disminuye el nivel de volumen de los canales individuales para las unidades envolventes principal y posterior.</p>
<p>8. GRAVES</p>	<p>Mejora la frecuencia baja o salida de graves del sistema.</p>
<p>9. MODO</p>	<p>Se usa para seleccionar entre el DTS, Dolby Digital, Dolby Pro Logic II o modo estéreo del sistema dependiendo de los modos de sonido disponibles desde su fuente de audio.</p>
<p>10. OSD</p>	<p>Presione para entrar o salir del menú de presentación en pantalla (OSD).</p>

## Instalación del sistema PT8051

Esta sección le brinda las indicaciones para ubicar e instalar su nuevo PT8051.

El PT8051 crea una experiencia de sonido envolvente realista provenientes de solo dos unidades. Se ha mejorado más la capacidad de uso al emplear un sistema de transmisión inalámbrico avanzado 2.4 GHz que elimina el uso de cables para los parlantes envolventes posteriores. Si bien la colocación es menos difícil que la de otros sistemas similares, en lo posible, se debe seguir las siguientes indicaciones generales para asegurar la mejor calidad de sonido;

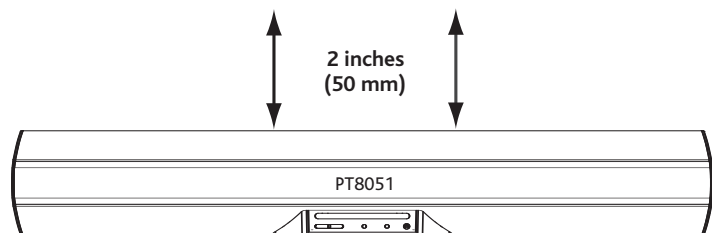
- Evite una ubicación en donde los muebles u otros artículos pueden obstruir el área de la rejilla.
- Coloque en el centro el PT8051 debajo del TV de modo que parezca que el diálogo proviene de allí.
- La distancia máxima permitida entre las unidades envolventes principal y posterior es de aproximadamente 40 pies (12.2 metros).
- La unidad envolvente posterior se debe ubicar detrás de la posición primaria de escucha para maximizar los efectos del sonido envolvente desde el sistema. Para maximizar la calidad del sonido se debe colocar al nivel de sus oídos o cerca del mismo cuando se encuentren en posición de escucha.
- Evite ubicar el PT8051 sobre o cerca de superficies que puedan vibrar.



### Ubicación del PT8051

Las unidades principal y posterior del PT8051 se pueden ubicar en una superficie de nivel apropiado o adosarse a la pared usando los soportes para montaje suministrados.

### Notas de seguridad:



- Asegúrese de dejar espacio de ventilación adecuado –mínimo 2 pulgadas (50mm) sobre ambas unidades envolventes principal y posterior.
- No recomendamos instalar esta unidad directamente sobre el piso.
- La unidad principal del PT8051 pesa aproximadamente (18.1 lb.) (8.2 kg) y la unidad envolvente posterior pesa aproximadamente (9.8 lb.) (4.4 kg). Asegúrela para que no se caiga y se encuentre fuera del alcance de los niños.
- No instale las unidades envolventes principal y posterior directamente sobre un TV de tubo de rayos catódicos (CRT) ya que los campos magnético dispersos pueden distorsionar la imagen del TV.

## Montaje en la pared

Si está adosando el PT8051 a la pared, siga los siguientes pasos:

1. Determine una ubicación conveniente en la pared para adosar cada unidad del parlante dentro del alcance del cable de CA.
2. Ubique y nivele los soportes de montaje de metal suministrados en la ubicación deseada en la pared.
3. Teniendo cuidado de evitar cualquier artículo (cables, tubos, etc.) escondidos dentro de la pared, asegure el soporte de montaje de metal usando los sujetadores apropiados para la aplicación. Si no está seguro de qué tipo de sujetador usar o no es capaz de determinar si hay artículos dentro de la pared que se pueden dañar, consulte a un contratista licenciado.
4. Coloque el parlante en el soporte de montaje, alineando los dos agujeros inferiores ubicados en la parte posterior del parlante con los postes sobre el soporte de montaje. Verifique y asegúrese de que el soporte de montaje en la pared y el parlante se encuentren firmemente asegurados en el lugar correspondiente.

**Precaución:** Solo personal calificado, debe instalar los soportes de montaje en la pared. El soporte de montaje se puede instalar en diferentes tipos de paredes. Una vez instalado, el soporte de montaje debe poder sostener por lo menos 100 lb. 45 kg). El instalador debe asegurar que la superficie de instalación pueda sostener el requerimiento de 100 libras (45 kg.) de peso. El instalador calificado también debe determinar y usar el hardware adecuado para obtener los requerimientos de peso para la pared.

### Ubicación del PT8051 sobre un pedestal

Puede montar su TV en un pedestal disponible a nivel comercial y colocar la unidad principal del PT8051 debajo de su TV. Asegúrese de que el pedestal que se use pueda soportar el peso del TV, el PT8051 y cualquier otro artículo que deba sostener.

**Nota:** Consulte las instrucciones que vienen con el pedestal para obtener los detalles de cómo instalar el pedestal y el PT8051, además del TV en el pedestal.

**Nota:** La colocación de este producto en superficies de madera con determinados tipos de acabados, tales como barniz claro, puede dañar el acabado. Revise las instrucciones de cuidado del fabricante del mueble para saber qué tipos de objetos se pueden colocar de manera segura sobre la superficie de madera. Altec Lansing no se responsabiliza por los daños ocasionados a las superficies de madera originados por contacto con este producto.

## Instalación del PT8051

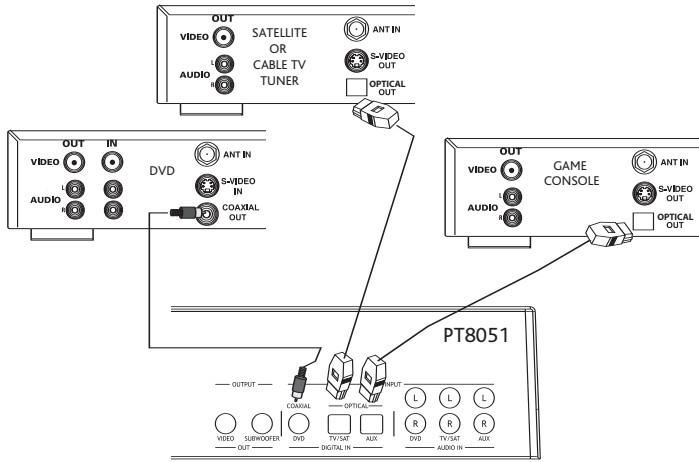
**Advertencia:** No introduzca los enchufes de alimentación del PT8051 en un tomacorriente de pared hasta que conecte otras fuentes tales como su TV, reproductor de DVD, sintonizador satelital o fuente de audio alterna. Asimismo, apague las fuentes de audio antes de conectarlas al PT8051.

El PT8051 se ha diseñado para conectarse a componentes externos tales como su reproductor de DVD, sintonizador satelital de TV, sintonizador de TV por cable, VCR, consola de juegos y TV. El PT8051 se puede conectar al equipo de fuente (DVD, VCR, etc.) usando tanto una conexión digital (coaxial u óptica) o analógica. Cuando hay salidas tanto digitales y analógicas como las de un reproductor de DVD, recomendamos usar la salida digital para asegurar la mejor calidad de sonido y una reproducción de sonido envolvente óptima.

### Conexión de dispositivos equipados con una salida de audio digital (reproductor de DVD, DVR, etc.)

El PT8051 puede aceptar señales digitales de entrada usando cables coaxiales y ópticos estándares disponibles comercialmente.

## Conexiones digitales comunes



Para conectar una fuente de audio digital:

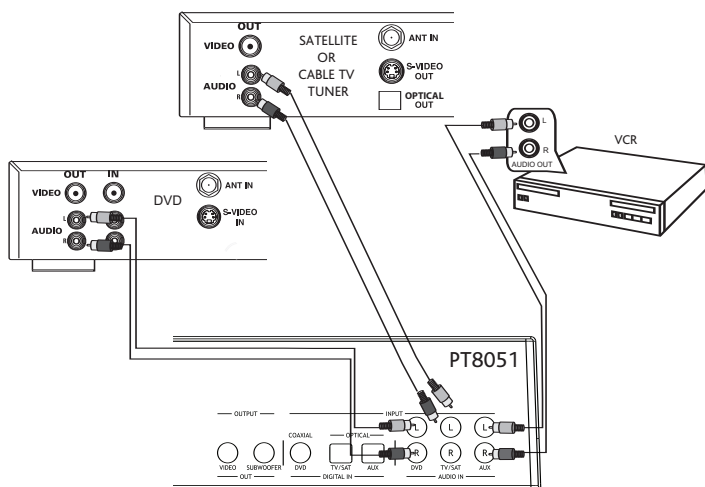
- Use un cable coaxial para conectar la clavija COAXIAL IN (EN COAXIAL) (DVD) en el PT8051 a la clavija de salida coaxial en el reproductor de DVD.
- Use un cable óptico para conectar la clavija OPTICAL IN (EN ÓPTICA) (AUX) en el PT8051 a la clavija de salida óptica en una fuente de audio digital como una consola de juego o grabador de video digital.
- Use un cable óptico para conectar la clavija OPTICAL IN (EN ÓPTICA) (TV/SAT) en el PT8051 a la clavija de salida óptica del sintonizador satelital o sintonizador de TV por cable.

Nota: Al conectar un reproductor de DVD recomendamos usar la entrada coaxial que se encuentra en la parte posterior del PT8051. Sin embargo, si su reproductor de DVD solo tiene una salida óptica se puede conectar a la entrada AUX.

## Conexión de los dispositivos equipados con una salida de audio analógica (VCR o dispositivo similar)

Para conectar el PT8051 a un VCR o dispositivo de audio analógico, conecte los cables según se muestra en el diagrama que aparece a continuación.

### Conexiones de audio analógicas



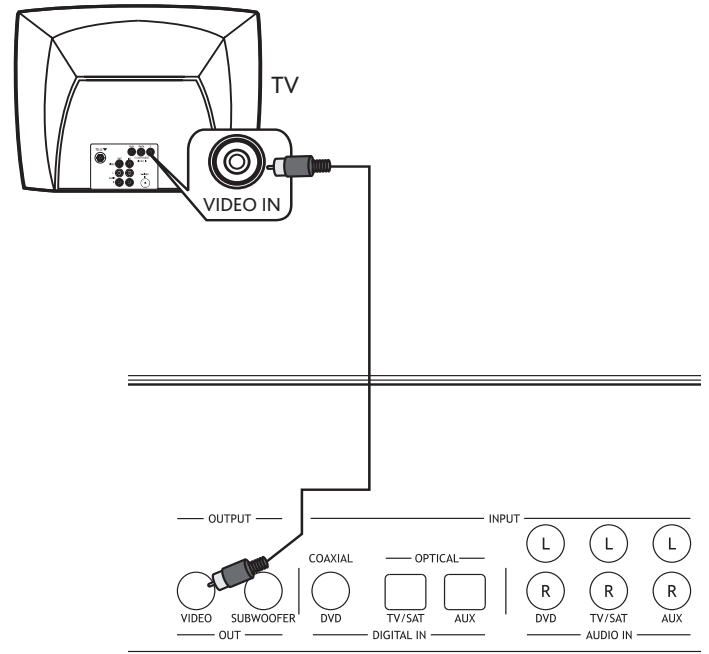
Para conectar el audio desde un dispositivo de audio analógico (VCR, etc.):

- Use un cable de audio estéreo estándar para conectar las clavijas AUDIO IN (EN AUDIO) (AUX) en el PT8051 a las clavijas de salida de audio en el VCR o fuente de audio similar. Asegúrese de que los cables estén conectados correctamente respetando las conexiones derecha e izquierda tanto en el PT8051 como en el dispositivo de fuente.
- Use un cable estéreo estándar de audio para conectar las clavijas AUDIO IN (EN AUDIO) (TV/SAT) a las clavijas de salida de audio en

el sintonizador satelital de TV o TV por cable. Si su sintonizador de TV satelital o TV por cable tiene una salida digital, esta salida se puede usar para otro dispositivo.

- Use un cable estéreo estándar de audio para conectar la clavija AUDIO IN (EN AUDIO) (DVD) a la clavija de salida de audio en el reproductor de DVD. Si ha conectado su reproductor de DVD usando un cable óptico o coaxial, puede usar esta entrada para otro dispositivo.

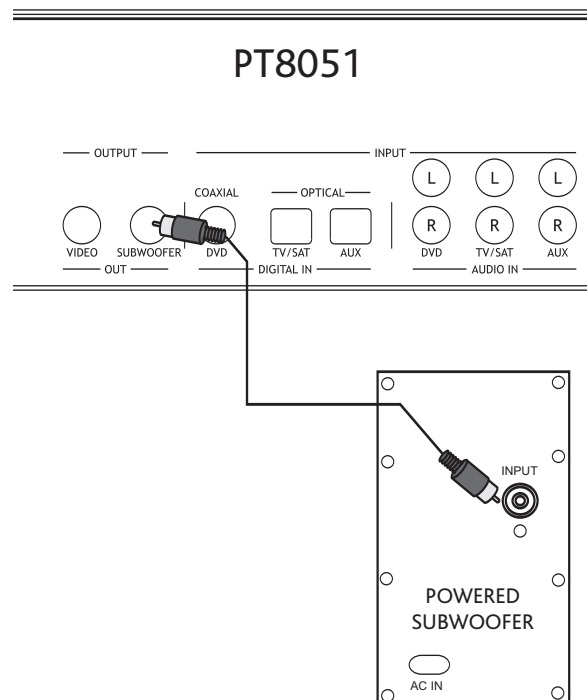
## Conexión de vídeo



Para conectar la salida de vídeo:

- Usando el cable A/V suministrado, conecte uno de los extremos amarillos para conectar el VIDEO OUT (SAL VIDEO) en el PT8051 y el otro extremo amarillo a la clavija de entrada de vídeo en el TV. Esta conexión le permite ver la presentación en pantalla (OSD) en su pantalla de TV cuando se selecciona la entrada correspondiente.

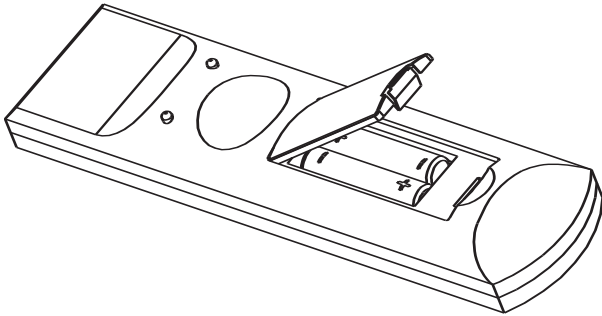
## Conexión de un parlante secundario para graves



Para conectar un parlante secundario para graves opcional:

- Utilice un cable opcional de audio mono disponible comercialmente para conectar la clavija SUBWOOFER OUT (SAL PARLANTE SECUNDARIO PARA GRAVES) ubicada en la parte posterior del PT8051 a la clavija SUBWOOFER INPUT (ENTRADA AL PARLANTE SECUNDARIO PARA GRAVES) en el parlante secundario para graves.

#### Instalación del control remoto



#### Instalación de las baterías

- Oprima el seguro ubicado en la parte posterior según se muestra en la figura para retirar la cubierta de la batería.
- Introduzca dos baterías AAA.
- Cierre la cubierta de la batería.

#### Notas:

- Cambie todas las baterías si se da cuenta que el rango de operación del control remoto disminuye o el indicador no oscila o la luz que sale del mismo se debilita.
- No use baterías usadas con nuevas.
- No use diferentes tipos de baterías tales como las personas alcalinas y de manganeso juntas. Lea el empaque cuidadosamente puesto que, es posible que, estos tipos de baterías diferentes tengan el mismo tamaño y color.
- Las baterías gastadas pueden tener fugas. Si las baterías han sufrido fugas, deséchelas inmediatamente. Evite tocar el material de fuga o que haga contacto con la piel o ropa. Limpie el compartimiento de la batería meticulosamente antes de instalar nuevas baterías.
- No tire las baterías junto con los desechos domésticos. Deséchelas correctamente de acuerdo a las regulaciones locales.

### Operación básica

- Después de asegurar todas las conexiones de audio y video; puede enchufar los cables de CA del PT8051 a una salida de CA conveniente.
- Encienda el interruptor de encendido ubicado en las unidades envolventes principal y posterior del PT8051 a la posición ON (encendido). El PT8051 ingresará al modo STANDBY (EN ESPERA). El indicador LED del panel frontal se pondrá rojo lo que indica que la unidad se encuentra en el modo standby (en espera).
- Presione el botón POWER (ENCENDIDO) en el panel frontal para encender el PT8051. El indicador LED cambiará de rojo a verde indicando que la unidad está encendida. El indicador LED ubicado en la parte posterior de la unidad se iluminará cuando se haya encendido la unidad principal.
- Encienda el reproductor de DVD u otro dispositivo que desee escuchar.
- Seleccione la entrada deseada usando el botón INPUT (ENTRADA) en el panel frontal o control remoto. El indicador LED correspondiente se iluminará indicando la entrada que se ha seleccionado.
- Seleccione el modo de audio deseado usando el botón MODE (MODO) en el panel frontal o control remoto. En la mayoría de los dispositivos puede escoger entre los modos envolventes virtual y estéreo.
- Ajuste el volumen del sistema usando los botones VOL +/- en el control remoto o panel frontal.

### Operación avanzada

#### Configuración de los niveles de los canales (Parlante)

Se puede ajustar niveles individuales para los canales envolventes frontales, centrales y posteriores usando los botones de niveles +/- en el control remoto. Estos niveles se deben ajustar de modo que todos los canales tengan un volumen similar para cuando el oyente esté sentado y usando la función Test Tone (Tono de prueba) según se describe en la sección Instalación del Menú siguiente.

Los ajustes se hacen al:

- Presionar LEVEL (NIVEL) (Frontal +/-, Centro +/- y Posterior +/-) para cada canal que se va a establecer. El nivel de cada canal debe aparecer en la pantalla de TV.
- El rango de cada nivel es -10 dB a +10 dB, en 1 dB pasos. El volumen inicial es 00 dB.

#### Menú de instalación

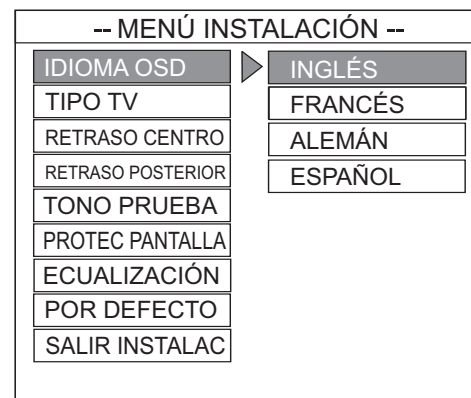
El menú de instalación se presenta en la pantalla de su TV usando la Presentación en pantalla (OSD). El OSD solo funcionará si se ha establecido una conexión de video de acuerdo a lo descrito en la sección "conexión de video" de este manual. Usted puede personalizar su PT8051 para el idioma, tipo de TV, ajuste de tono de prueba, protector de pantalla y EQ. El menú de instalación también se puede usar para restaurar la unidad a los parámetros de fábrica de ser necesario.

#### Presentación en pantalla

- Presione el botón OSD en el control remoto para presentar el menú de instalación.
- Use los botones en el control remoto para moverse a través de las selecciones.
- Ilumine la opción deseada.
- Presione el botón OK en el control remoto para confirmar su selección.
- Para salir del menú de instalación, presione el botón OSD o seleccione EXIT SETUP (SALIR DE INSTALACIÓN) desde el menú.

#### Configuración del idioma OSD

Seleccione el lenguaje para la presentación en pantalla. La configuración por defecto para el OSD es INGLÉS.



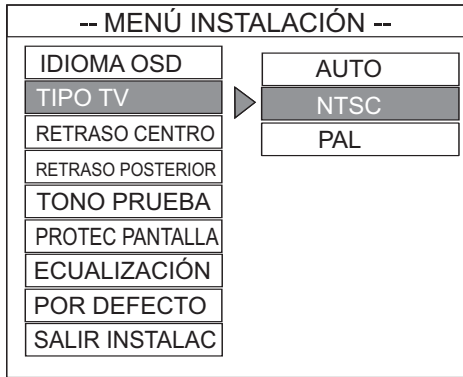
#### Configuración del tipo de TV

El sistema de color del sistema PT8051 y el TV debe coincidir. Solo, entonces, será posible reproducir la característica OSD en este sistema. Antes de cambiar el sistema de TV, determine el sistema de color de su TV. La configuración por defecto es NTSC. El NTSC se usa en varios países incluyendo los Estados Unidos, Canadá y El PAL se usa en la mayoría de los países europeos y asiáticos.

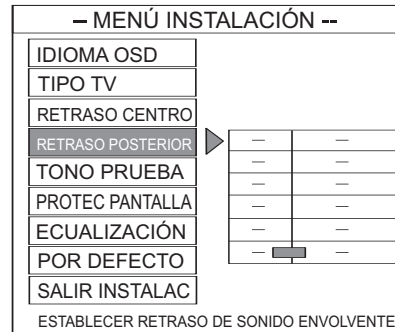
**AUTO:** Seleccione éste si el TV conectado es compatible tanto con NTSC como con PAL.

**NTSC:** Seleccione este sistema si el TV conectado cuenta con el sistema de color NTSC.

**PAL:** Seleccione este sistema si el TV conectado cuenta con el sistema de color PAL.



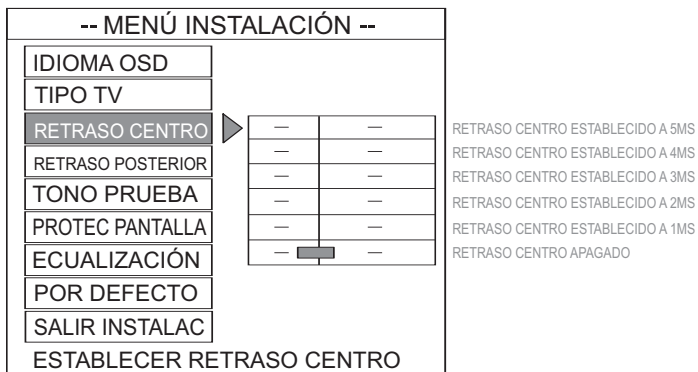
La idea es hacer que el sonido de las unidades principal y posterior llegue a sus oídos al mismo tiempo que cuando se emite la señal de sonido desde dichos parlantes. Para los parlantes que se encuentran cerca de usted, debe agregar un retraso de modo que el sonido llegue a sus oídos al mismo tiempo que el sonido de los parlantes que se encuentran más lejos de usted, en relación a la señal musical que se envía de los parlantes en el mismo instante. La configuración por defecto es REAR DELAY TURNED OFF (RETRASO POSTERIOR APAGADO).



RETRASO DE SONIDO ENVOLVENTE ESTABLECIDO A 15MS  
 RETRASO DE SONIDO ENVOLVENTE ESTABLECIDO A 12MS  
 RETRASO DE SONIDO ENVOLVENTE ESTABLECIDO A 9MS  
 RETRASO DE SONIDO ENVOLVENTE ESTABLECIDO A 6MS  
 RETRASO DE SONIDO ENVOLVENTE ESTABLECIDO A 3MS  
 RETRASO DE SONIDO ENVOLVENTE APAGADO

### Configuración de retraso centro

Se usa para configurar el tiempo de retraso que se usa para el canal CENTER (CENTRAL). Esta configuración se puede ajustar de 0 a 5 mS (milésimas de segundos) en incrementos de un milésimas de segundos. Esta configuración es útil si su unidad principal PT8051 no se puede colocar cerca del TV. Como regla general un pie (30cm) equivale a un retraso de 1mS aproximadamente. Por lo tanto, si la unidad principal PT8051 se encuentra a un pie de la pantalla, debe configurar el retraso CENTER (CENTRO) para 1mS. Además, se puede ajustar de modo que el sonido proveniente del PT8051 esté sincronizado con la imagen de video. La configuración por defecto es CENTER DELAY TURNED OFF (RETRASO CENTRO APAGADO).



### Configuración de retraso posterior

Se usa para configurar el tiempo de retraso que se usa para el canal (envolvente) REAR (POSTERIOR). Esta configuración se puede ajustar de 0 a 15 mS (milésimas de segundos) en incrementos de tres milésimas de segundos. Esta configuración se usa para reproducir de manera exacta la información de sonido envolvente que se encuentra codificada en algunos DVD de acuerdo a las intenciones del productor al permitirle ajustar el sonido al tamaño del ambiente en el que se encuentra. En este caso, debe configurar los retrasos como se indica a continuación:

El retraso en milésimas de segundo para la configuración del parlante posterior (envolvente) equivale al número de pies más cerca que ese parlante se encuentra en relación a su posición de escucha que la unidad principal.

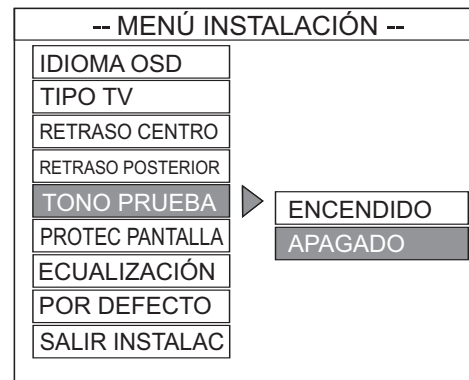
Por ejemplo, consideremos que la unidad principal se encuentra a 15 pies de la posición principal de escucha y que la unidad (envolvente) posterior se encuentra a 5 pies.

Retraso del sonido envolvente = 15ft - 5ft = 10ft = 10mS de retraso.

En este caso seleccionaría 9 mS del menú puesto que es la medida más cercana a 10 mS.

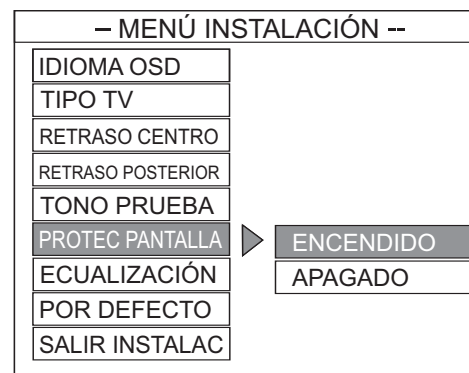
### Configuración del Tono de prueba

Cuando se configura en la posición ON (ENCENDIDO), el sistema probará la salida del parlante usando un tono de prueba generado internamente. La señal de prueba sale de manera secuencial a través de varios canales. La configuración por defecto es OFF (APAGADO).



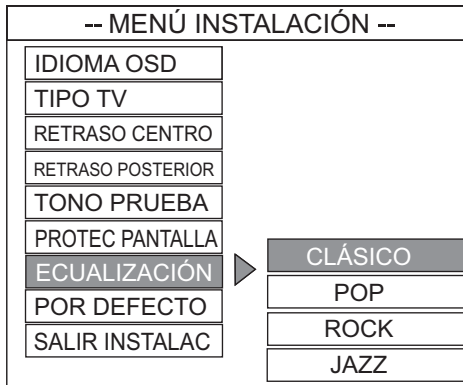
### Configuración del protector de pantalla

Cuando se configure en ON (ENCENDIDO) el PT8051 ingresa automáticamente al modo protector de pantalla si es que no se realiza ningún cambio después de cinco minutos. Esta función es útil para evitar que se queme la imagen que puede dañar algunos TV de plasma. La configuración por defecto es ON (ENCENDIDO).



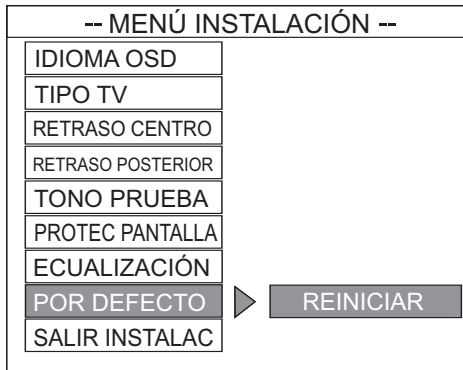
## EQ (Ecuador)

Use esta función para seleccionar las configuraciones de ecualizador. Elija entre; CLASSIC (CLÁSICO), POP, ROCK o JAZZ. La configuración por defecto es CLASSIC (CLÁSICO).



## Configuración por defecto

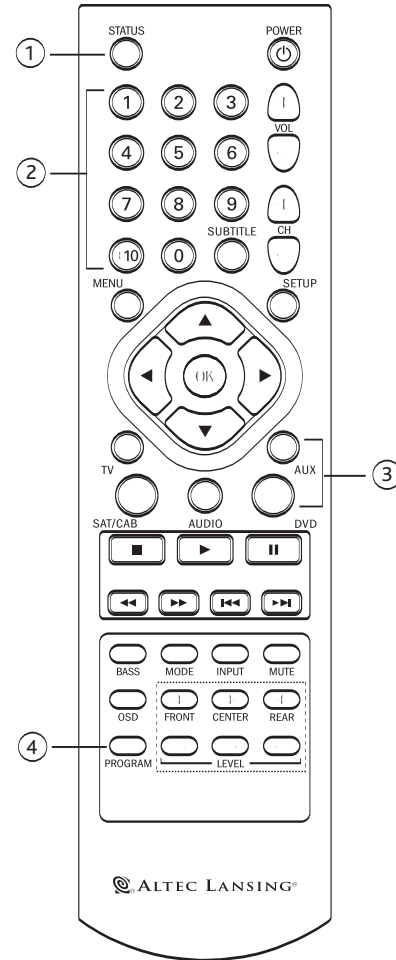
Si se selecciona RESET (RESTAURAR), todos los ítems del menú de instalación se restaurarán a las configuraciones de fábrica según se indicó anteriormente.



## Operación del control remoto del PT8051

Además de controlar su PT8051, usted puede programar el control remoto para operar los componentes de audio/video de otros fabricantes.

Se pueden instalar los códigos para cada dispositivo a controlar: TV, SAT/CAB, AUDIO, DVD y AUX.



1. ESTADO	Indica la operación del control remoto cuando se presionan botones específicos. Se ilumina en forma continua para indicar que el control remoto se encuentra en modo programa.
2. BOTONES NUMÉRICOS	Utilice para ingresar códigos del control remoto preprogramados para otros dispositivos.
3. BOTONES DE DISPOSITIVOS	Utilice para programar o cambiar los modos del control remoto para operar otros dispositivos.
4. PROGRAMA	Utilice para ingresar al modo programa al programar los códigos del control remoto para otros dispositivos.

## Códigos de control remoto preprogramados por defecto

El control remoto de su PT8051 se configura previamente con los códigos por defecto enumerados en el cuadro que aparece a continuación. Si su componente no se encuentra en la lista, revise la lista en la sección de Códigos del control remoto preprogramados. También puede usar el procedimiento de búsqueda en la sección Búsqueda para códigos de control remoto de este manual.

Botón remoto	Código inicial	Equipo
TV	082	TV Philips
SAT/CAB	039	Caja de cables Philips
AUDIO	900	PT8051 de Altec Lansing
AUX	144	VCR Panasonic
DVD	124	DVD Sony

## Programación de los códigos del control remoto de los dispositivos

Encuentre la marca, modelo y número de código de sus componentes en la sección de Códigos del control remoto preprogramados de este manual, luego siga los siguientes pasos:

- Manteniendo presionado el botón PROGRAM (PROGRAMA), presione el botón para el dispositivo que se va a programar por Ej., TV o DVD o CAB/SAT o AUX.
- El indicador LED se ilumina.
- Suelte ambos botones.
- Ingrese el NÚMERO DE CÓDIGO usando los botones numéricos en el control remoto. Si el NÚMERO DE CÓDIGO es válido el indicador LED destellará dos veces y luego se apagará indicando que se ha programado el código. Si el número del código no es válido el indicador LED destellará dos veces y se encenderá;
- Verifique si el control remoto puede controlar el dispositivo que se programó usando el botón CH+/- o similar para controlar el dispositivo que se programó. Si no controla el dispositivo, repita este procedimiento.

Nota: Si desea mantener el modo de configuración, presione el botón del dispositivo (TV, SAT/CAB, DVD, etc.). Si no presiona ningún botón en 10 segundos, saldrá automáticamente del SETUP MODE (MODO INSTALACIÓN).

## Búsqueda de códigos de control remoto

Si no puede encontrar un número de código en la sección Códigos del control remoto preprogramados de este manual que coincida con su equipo, el control remoto del PT8051 puede buscar en su base de datos un código de control remoto adecuado en los códigos programados en el control remoto. El control remoto del PT8051 encontrará el código de componente más adecuado para cualquier fuente de audio.

Para buscar los códigos siga los siguientes pasos:

- Coloque el dispositivo (TV, SAT/CAB, DVD, AUX, etc.) para el que desea ubicar el código del control remoto en la posición ON (encendido).
- En el control remoto del PT8051 presione y mantenga presionado el botón PROGRAM (PROGRAMA) a la vez que presiona el botón del dispositivo para el que desea efectuar la búsqueda (TV, SAT/CAB, DVD, AUX, etc.).
- EL indicador del STATUS LED (LED DE ESTADO) del PT8051 se iluminará y se mantendrá encendido.

- Suelte ambos botones.
- Presione y suelte el botón PROGRAM (PROGRAMA) nuevamente. El indicador LED destellará para indicar que el control remoto ha ingresado al modo búsqueda.
- Enfocando el control remoto del PT8051 al dispositivo que desea controlar presione y libere en forma repetida y lenta el botón POWER (ENCENDIDO). El PT8051 enviará un código POWER diferente al dispositivo cada vez que se presiona el botón POWER (ENCENDIDO).
- Una vez que el dispositivo que desea controlar se apaga, inmediatamente deje de presionar el botón POWER (ENCENDIDO) y presione el botón del dispositivo (TV, SAT/CAB, DVD, AUX, etc.) nuevamente.
- Ahora se debe programar el PT8051 para controlar su dispositivo.
- Usted puede verificar esto encendiendo el dispositivo e ingresando otros comandos aplicables tales como PLAY (REPRODUCIR) o STOP (DETENER) para un reproductor de DVD o CHANNEL (CANAL) +/- para un casillero del TV Satelital.

Nota: Mientras se usó el botón POWER para hacer la búsqueda aquí, puede usar otros comandos tales como el botón PLAY (REPRODUCIR) para dispositivos que no cuentan con un botón POWER. En este caso el PT8051 usa el botón PLAY (REPRODUCIR) para efectuar la búsqueda. Simplemente use el botón PLAY (REPRODUCIR) en lugar del botón POWER según se describe a continuación, asegurando que el dispositivo que desea controlar está listo para ingresar al modo reproducir y cuenta con una DVD o cinta cargada, se encuentra encendido, etc.

## Solución de problemas

Síntoma	Problema posible	Solución
Sin energía.	Uno o ambos cables de alimentación no se encuentran conectados o no se han encendido las unidades envolventes principal y posterior.	Enchufe los cables de CA del PT8051 en una salida de CA apropiada. Luego, encienda el PT8051 presionando el interruptor de encendido/apagado que se encuentra en la parte posterior de la unidad tanto para la unidad principal como para la unidad posterior.
	El interruptor de alimentación en el panel posterior no está encendido para una o ambas unidades.	Enciéndalo.
	Un mecanismo de seguridad apagó el PT8051.	Desenchufe el PT8051 de la salida de CA brevemente y, luego, enchúfelo nuevamente de modo que se restaure la configuración.
No sale ningún sonido del PT8051.	El volumen está fijado demasiado bajo.	Los botones "+/-" ubicados en la parte superior del sistema PT8051 son los controles del volumen maestro. Presione y mantenga presionado el botón "+" para aumentar el volumen.
	Sin conexiones de cable o cables sueltos en el PT8051 o equipo de la fuente.	Verifique que los cables se encuentren colocados correcta y firmemente tanto en el PT8051 como en el equipo de la fuente.
	MUTE (SILENCIO) está activado.	Asegúrese de que la función mute (silencio) no esté activada.
No hay presentación en pantalla.	El cable de video está suelto o no está conectado.	Verifique que el cable de video esté conectado y colocado de manera adecuada tanto en el VIDEO OUTPUT (SALIDA DE VIDEO) del PT8051 como en la entrada de TV.
	Se ha seleccionado la entrada incorrecta en el TV.	Seleccione la entrada correcta en el TV, la que corresponda a donde esté conectado el cable VIDEO OUT (SALIDA DE VIDEO) del PT8051.
La unidad envolvente posterior no emite ningún sonido.	El interruptor de alimentación del panel posterior no está encendido para una o amabas unidades.	Enciéndalo.
	No hay ninguna información de sonido envolvente en la banda sonora del DVD.	Es normal que no haya todo el tiempo información de sonido envolvente.
	El nivel REAR +/- (POSTERIOR +/-) está configurado demasiado bajo.	Aumente el nivel REAR +/- (POSTERIOR +/-) usando el control remoto.
	La unidad envolvente posterior ha perdido la sincronización con la unidad principal. Esto se indica mediante una luz WIRELESS (INALÁMBRICA) verde oscilante en la unidad de sonido envolvente posterior.	Asegúrese de que las unidades frontal y posterior se encuentren a una distancia de 40 pies (12.2 metros) una de la otra. Para volver a sincronizar manualmente las unidades de sonido envolvente principal y posterior, presione el botón CONNECT (CONECTAR) ubicado en la parte posterior de la unidad frontal. Una vez que se ha efectuado la sincronización la luz WIRELESS (INALÁMBRICA) ubicada en la unidad de sonido envolvente posterior dejará de oscilar y permanecerá iluminada de manera constante.

## Ficha Técnica

Especificación de suministro de potencia	120 V AC/60 Hz
Consumo de energía	25W (Unidad principal) 20W (Unidad envolvente posterior)
Proporción señal-ruido	(A-ponderado) >75dB
Dimensiones (W x H x D)	40" x 6 <sup>3</sup> / <sub>4</sub> " x 6" (1016mm x 170mm x 152mm) 22" x 6 <sup>3</sup> / <sub>4</sub> " x 6" (560mm x 170mm x 152mm) (Unidad envolvente posterior)
Peso	18.1 libras. (8.2 kg) (Unidad principal) 9.8 libras. (4.4 kg) (Unidad envolvente posterior)
Potencia de salida	125 vatios (5 x 25) potencia continua promedio
Amplificadores	Tres amplificadores de pantalla plana NXT Digital 2" x 8" (50mm x 200mm) (Unidad principal) 2.3" x 4" (58mm x 100mm) (Unidad envolvente posterior)
Entradas de audio digital	Dos ópticas/una coaxial
Entradas de audio analógicas	Estéreo x 3
Salidas de audio analógicas	Parlante secundario para graves x 1
Salida de video	Compuesto x 1
Frecuencia de respuesta	70 Hz – 20 kHz +/- 3 dB
Frecuencia de transmisión inalámbrica	2.4 GHz
Rango de transmisión inalámbrica (máxima)	40 pies (12.2 metros)





**Preprogrammed Remote Control Codes/Codes de contrôle préprogrammés/Códigos de control remoto preprogramados**

Brand/Device Marque/Appareil Marca/Dispositivo	TV	AUX	SAT/CAB	DVD/CD/VCD	
	TV	VCR Magnétoscope VCR	SATELLITE/CABLE SATELLITE/CÂBLE SATÉLITE/CABLE	CD	DVD/VCD
ABC			008, 017, 018, 019, 023, 032 040, 049, 130, 140		
Acre					135(DVD)
Acoustic Research				044	
ADC				045, 046	
ADCOM				038	
Addsion	081				
Admiral	063, 136, 177, 180, 206, 207	066			
Adventura	160	038			
Aelanta			089		
AEON			055		
Aiko	103				
Aiwa	006, 007, 008	032, 034, 035, 036, 038, 107, 108, 120		050, 069	109
Akai	113, 114, 164, 181, 190	033, 057, 084, 100, 111, 112, 113, 114, 115, 143		016, 139	
Akiba		119			
Alfa Gold			185		
Alleron	136				
Amark	178, 179, 202				
Ambassador	098				
American High		045, 072			
Amstrad	030, 098	107, 038			
Amusewell					116
Anam	068, 083, 148, 177, 253				
Anitech		119			
Anvision			022, 042, 046		
AOC	005, 014, 029, 048, 100, 113, 136, 152, 176, 177, 188, 190, 200, 202, 204, 214				
APO			067		
Archer	202		069		
ASA		045, 047			
Asha		103			
ASIA Giant			054, 064, 166		
Asuka		047			
ATLE				052	
Audio Dynamics		025, 109, 113, 142			
Audiovox	177, 202	047, 109			
AWA	040, 082, 193				
Baird		019, 038			
Basic Line		119			
Beaemark		103			
BESTLINK			051, 091		
Belcor	100, 114				
Bell & Howell	063, 136, 177, 195	019, 020, 066			

**Preprogrammed Remote Control Codes/Codes de contrôle préprogrammés/Códigos de control remoto preprogramados**

Brand/Device Marque/Appareil Marca/Dispositivo	TV	AUX	SAT/CAB	DVD/CD/VCD	
	TV	VCR Magnétoscope VCR	SATELLITE/CABLE SATELLITE/CÂBLE SATÉLITE/CABLE	CD	DVD/VCD
BENJAMIN			151		
Blaupunkt		006, 083			
Blue Star	054				
BPL	054				
Bradford	177				
Brockwood	100				
Broksonic	177, 202, 234	055, 056, 110, 112			
Bush		119			
Cablestar			022, 042, 046		
California Audio Lab				003	
Calix		047			
Canon		072, 137			
Candle/Citizen	086, 103, 113, 114, 132, 148, 160, 171, 176, 178, 188, 209	038, 046, 047, 072, 103, 109, 138, 139, 141	048		
Capehart		139			
Caravell				077 (VCD)	
Carver	037, 060	045, 144		069	
CASIO				138	
CCE		119			
Celebrity	046				
Centurion	114, 175				
Century			075		
CGE		038			
Changhong	018				
Channel Master			096		
Chaparral	210				
Chun Yun	005, 014, 029, 041, 076, 089, 100, 113, 121, 202, 204, 214, 242				
Chung Hsin	005, 014, 020, 024, 073, 081, 121, 190, 204	049			
Cimline		119			
Clairtone	048				
Colortyme	113, 149, 176	025, 109			
Colour Voice			005		
Colt		119			
Concerto	113, 176				
Contec/Cony	048, 107, 148, 157 173, 177, 192, 201		034		
Coronado	178, 179				
Craig	148, 177	047, 070, 103, 119, 141			
Crown	177, 178	119			
Curtis Mathes	037, 051, 063, 065, 113, 114, 129, 140, 171, 175, 176, 178, 180, 195	025, 051, 072, 094, 109, 111, 120, 121, 137, 141			

**Preprogrammed Remote Control Codes/Codes de contrôle préprogrammés/Códigos de control remoto preprogramados**

Brand/Device Marque/Appareil Marca/Dispositivo	TV	AUX	SAT/CAB	DVD/CD/VCD	
	TV	VCR Magnétoscope VCR	SATELLITE/CABLE SATELLITE/CÂBLE SATÉLITE/CABLE	CD	DVD/VCD
CXC	148, 177				
Cybernex		103			
Dae Ryung			019		
Daewoo	086, 100, 103, 113, 114, 118, 153, 167, 174, 176, 178, 188, 190, 194, 214, 217, 235, 251, 252	020, 105, 106, 138, 139, 150, 152, 153, 154, 155			133 (DVD)
Dansai		119			
Daytron	100, 103, 113, 114, 175, 176, 178, 188	105			
DBS			169		
DBX		025, 109, 113, 142			
Decca		038, 045			
De Graaf		064			
Denon				001	
Diamond			043, 133		
Disco Vision					115
Distar	061				115
Drake			082, 083, 084, 096, 126, 127, 147, 160, 161		
DSS			168		
Dual		113			
Dumont	100, 236	103, 150			
Dynamic Bass				039	
Dynatech		038, 066, 097, 107, 109, 120			
Eagle			009, 019, 030, 042, 046, 141		
Eastern			041, 059, 060, 061, 062, 070, 156		
EchoStar			092, 097, 099, 100, 101, 102, 1003		
Electroband	046, 048				
Electrohome	044, 046, 048, 068, 100, 113, 176, 178, 188, 190, 195	047, 049, 100, 103			
Electrohonic		047			
Emerex		060			
Emerson	048, 054, 084, 097, 098, 100, 112, 113, 137, 138, 139, 141, 136, 148, 157, 158, 169, 176, 177, 178, 179, 188, 195, 206, 209, 234	035, 038, 046, 047, 049, 052, 055, 056, 072, 079, 098, 099, 100, 101, 102, 107, 110, 111, 112, 116, 120, 130, 131, 132, 133, 134, 135, 136, 140, 150		038	
Envision	113, 114, 176				
Ether	089, 100, 202				
EUROSTAR			150		
Everquest			016		
Ferguson		113			
Fidelity		038			
Finlandia		019, 045			
Finlux	136	019, 038, 045, 064, 107			
Firstline		049, 119, 150			

**Preprogrammed Remote Control Codes/Codes de contrôle préprogrammés/Códigos de control remoto preprogramados**

Brand/Device Marque/Appareil Marca/Dispositivo	TV	AUX	SAT/CAB	DVD/CD/VCD	
	TV	VCR Magnétoscope VCR	SATELLITE/CABLE SATELLITE/CÂBLE SATÉLITE/CABLE	CD	DVD/VCD
Fisher	117, 168, 195	019, 020, 047, 070, 088, 092, 093, 117		029	
Fortec Star			186, 187		
Fuji		060, 072, 083, 084			
Funai/Fullness	011, 029, 030, 039, 040, 042, 136, 148, 177	038, 039, 040, 103, 107, 119, 120			
Funtach			170, 171		
Futuretech	177				
GAB		119			
Garrard		038			
G.E.	051, 054, 061, 065, 068, 083, 100, 108, 113, 131, 141, 143, 145, 146, 176, 180, 184, 187, 222, 235	051, 072, 085, 086, 094, 098, 103, 137, 141			
GEC		045			
Gemini			016, 131, 132, 134, 135		
General (Fujitsu)	033, 136	043	017, 023, 093, 120, 130		
General Instrument/ Jerrold			001, 003, 011, 012, 013, 014, 016, 017, 023, 050, 093, 125, 128, 129, 130, 135, 140, 163, 180		
Gibraltar	100, 114				
Gintai	205				
GMI			052, 071, 073, 142, 155		
Golden			030		
Goldstar	096, 100, 113, 157, 171, 175, 176, 178 179, 184, 188, 190, 191, 223	025, 046, 047, 091, 109	030		015
Goodmans	136	037, 038, 047, 119			
Go Video		103			
Gradiente		038			
Graetz		113			
Granada	164	066, 072			
Grandin	054, 177	038, 047, 119			
Grundig		045		069	
Grunpy	136, 177				
Haitai					105
Hallmark	100, 113, 136, 176				
Hamlin			010, 019, 020, 123, 133		
Harley Davidson		038			
Harman Kardon		025, 109			
Harvard	100, 136, 177	119			
Harwood		119			
Hawaii					117
HCM	054				
Head Quarter		020			
Hinari	136	103, 119			
Hi-Q		070			
Hisawa	054				

**Preprogrammed Remote Control Codes/Codes de contrôle préprogrammés/Códigos de control remoto preprogramados**

Brand/Device Marque/Appareil Marca/Dispositivo	TV	AUX	SAT/CAB	DVD/CD/VCD	
	TV	VCR Magnétoscope VCR	SATELLITE/CABLE SATELLITE/CÂBLE SATÉLITE/CABLE	CD	DVD/VCD
Hitachi	004, 014, 019, 034, 069, 086, 095, 099, 100, 107, 113, 157, 162, 164, 173, 176, 178, 179, 184, 188, 201, 203, 204, 207, 214, 224, 225, 238	011, 038, 064, 065, 069, 095, 107, 113, 120	023, 032, 119, 121	017, 038	115
Hwalin			124, 164		
Hypson	054				
Hyundai					118
IEEC			009, 058, 065, 066, 141		
Ima	177				
IMC			173		
Imperial		038			
Infinity	037, 082, 167				
Inkei				007	
Instant Replay		067, 072			
Interfunk		045			
ITT		019, 020, 103, 113			
Janeil	160				
Jasco			048, 069		
JBL	037, 082, 160, 167			078, 079	
JCB	046				
JCL		072			
JC Penney	047, 050, 051, 065, 100, 101, 113, 114, 131, 141, 145, 171, 175, 176, 178, 180, 184, 187, 190, 201, 202	006, 025, 047, 064, 067, 072, 088, 095, 103, 109, 127, 128, 137, 141, 142			
Jean	014, 057, 089, 100, 202, 204, 205, 214				
JEBSEE			047, 068		
Jensen	113, 176	062, 113			
JVC	022, 023, 024, 067, 075, 081, 093, 107, 129, 157, 165, 166, 187, 201	016, 017, 018, 020, 025, 030, 046, 062, 087, 088, 096, 109, 113, 127, 139, 142, 151		008, 027, 031	129 (DVD)
Kaisui	054	119			
Kale vision			134		
Kawasho	113, 176				
KEC	171, 177	047			
Kenwood	100, 113, 114, 176	020, 025, 030, 062, 088, 096, 109, 113, 127, 139, 142		018, 019, 028, 051	059, 060, 130 (DVD)
KLH		119			
Kloss Novabeam	060, 109, 114, 160				
KMC	178, 179, 188				
Kodak		047, 072			
KOKA			055, 057, 118, 144		
Kolin	005, 014, 020, 024, 041, 073, 081, 121, 190, 204				
KONKA	243				

**Preprogrammed Remote Control Codes/Codes de contrôle préprogrammés/Códigos de control remoto preprogramados**

Brand/Device Marque/Appareil Marca/Dispositivo	TV	AUX	SAT/CAB	DVD/CD/VCD	
	TV	VCR Magnétoscope VCR	SATELLITE/CABLE SATELLITE/CÂBLE SATÉLITE/CABLE	CD	DVD/VCD
Krell				069	
KTV	048, 113, 114, 128, 177, 178, 179, 188, 209				
Kyocera				046	
Legend					099
LEON			052		
LG	114, 156, 179, 223, 248	046	052		
Lloyd		038, 107, 109, 116, 119, 120			
Lloytron	178				
Loewe	082				
Lodgenet	063				
Logik	063, 177	119			
Luxman	113, 176			032	
Luxor		019, 020, 037, 049			
LXI	037, 057, 065, 082, 100, 101, 175, 195, 206	038, 046, 047			
Macom			081, 096, 119, 120		
Magnavox	037, 060, 082, 100, 109, 113, 114, 127, 131, 132, 162, 163 167, 175, 176, 178, 179	045, 047, 072, 075, 123, 137, 144	004, 005, 006, 007, 008, 037, 038, 039, 042, 046	022, 056, 069	059
Magnin		103			
Majestic	063, 236				
Marantz	037, 060, 082, 109, 113, 114, 125, 176, 190	025, 045, 072, 088, 109, 127, 129, 142, 144		003, 040, 069	
Marta		025, 046, 047			
Matsui	098, 178	055, 116		069	
Matsushita		045, 072			
MCS				003	
Megatron	100, 164, 202				
MEI	048	072			
Memorex	063, 100, 195	019, 020, 038, 046, 047, 066, 070, 072, 103, 107, 108, 120	024		
Metz		006			
MGA/Mitsubishi	005, 020, 021, 044, 090, 097, 100, 113, 114, 117, 136, 141, 175, 176, 188, 190, 206, 226, 227	014, 015, 029, 030, 049, 062, 063, 064, 087, 089, 090, 096, 100	158	025	131 (DVD)
MGN Technology		103			
Micro Formula			107		
Midland	065, 178, 187, 236	085			
Mina			157		
Minolta		064, 095			
Mission				069	
Motorola	037, 083, 187, 206	066, 072			
Montgomery Ward		066, 097			
Movie Time			016		
Minutz	131, 184				
MTC	048, 100, 113, 114, 171, 176, 190	038, 103, 107, 120, 141			

**Preprogrammed Remote Control Codes/Codes de contrôle préprogrammés/Códigos de control remoto preprogramados**

Brand/Device Marque/Appareil Marca/Dispositivo	TV	AUX	SAT/CAB	DVD/CD/VCD	
	TV	VCR Magnétoscope VCR	SATELLITE/CABLE SATELLITE/CÂBLE SATÉLITE/CABLE	CD	DVD/VCD
MultiTech	136, 177	038, 085, 107, 119, 120, 141			
Multivision	124				
Myland					119, 120
NAD	057, 092, 100, 101				
NEC	031, 032, 041, 061, 068, 079, 080, 100, 113, 114, 160, 175, 176, 187, 190	019, 020, 025, 026, 030, 041, 042, 046, 062, 088, 096, 109, 113, 121, 126, 127, 129, 139, 142		033	
Nesco	136				
Newave	089, 106, 205, 206	046			
Nikko	100, 103, 114	047			
Noblex		103			
Nokia		019, 020, 103	188		
Novavision			019, 040, 089		
Nordmende		113			
NSC			036, 134		
NSM				069	
NTC	103				
OAK			033, 034, 139		
Olympus		072			
Omega			016		
Onking	209				
Onkyo				010, 011, 012, 013	
Onwa	177				
Optimus	092, 195, 207	019, 047, 066		019, 039, 041, 042, 043	125 (DVD)
Optonica	206, 207	037			
ORBIT			095		
Orion	136, 177, 234	035, 055, 110, 112, 116			
PACE 500			183		
PACE 5000			184		
PACIFIC			178		
Panasonic	010, 015, 016, 017	006, 007, 008, 012	003, 019, 024	003, 020	061, 062, 112
(National)	028, 037, 050, 058, 068, 082, 083, 088, 089, 094, 108, 122, 130, 145, 159, 161, 167, 187, 247	027, 028, 031, 050, 067, 072, 112, 118, 137	114, 148, 175		121 (DVD), 122
Panda					108
Pansat			094		
Paragon (Zenith)			021, 024, 117		
PATHER			009		
PBI	107				
Pentax		064, 095			
Philco	037, 060, 068, 082, 100, 109, 113, 114, 127, 132, 154, 157, 162, 163, 167, 176, 178, 179, 190	045, 072, 075, 123, 137			
Philips	036, 037, 056, 060, 068, 082, 100, 109, 113, 114, 122, 132, 154, 156, 157, 162, 163, 167, 176, 179, 198, 215, 216	037, 045, 067, 072, 144, 145, 146	004, 005, 006, 007, 008, 037, 038, 039, 042, 046, 122, 152	068 (Tuner), 070 (REC) 071 (VCD) 022, 052, 069	071 (DVD)



**Preprogrammed Remote Control Codes/Codes de contrôle préprogrammés/Códigos de control remoto preprogramados**

Brand/Device Marque/Appareil Marca/Dispositivo	TV	AUX	SAT/CAB	DVD/CD/VCD	
	TV	VCR Magnétoscope VCR	SATELLITE/CABLE SATELLITE/CÂBLE SATÉLITE/CABLE	CD	DVD/VCD
Pilco		072			
Pilot	114, 171, 178	047			
Pioneer	074, 092, 100, 108, 113, 123, 176, 187, 228	030, 044, 062, 064, 074, 091, 123, 139, 142	002, 022, 115, 116	004, 020, 140	059, 064, 065, 098, 115, 125(DVD)
Polestar	103				
Popular Mechanic			068		
Portland	100, 103, 113, 176, 178, 179, 188, 190	105, 138, 139			
Praxis	211				
Premier			035		
Priceclub	171				
Primestar			093		
Proline		038			
Prosat			088		
Protec		119			
Proton	014, 041, 076, 100, 104, 113, 126, 157, 176, 178, 188, 196, 202, 204, 205, 214	006, 067		069	
Prism	083, 187				
Pulsar	100, 103, 236	047, 103	024, 030		
Pulser	100, 103, 236				
QED				069	
Quarter		020			
Quartz		020, 088			
Quasar	050, 068, 083, 108, 146, 187	006, 072, 137		003, 020	
RAMPAGE			174		
Randex		047			
Radio Shack	051, 065, 087, 107, 114, 148, 157, 175, 177, 178, 195, 207	037, 038, 047, 066, 070, 072, 088, 093, 097, 100, 103, 107, 120		023	
Radix		047			
Randtek			042, 046		
RCA	047, 051, 065, 066, 068, 100, 105, 113, 143, 152, 176, 180, 190, 206, 213, 222, 229, 230	051, 064, 066, 067, 069, 071, 072, 086, 094, 095, 103, 118, 120, 124, 141, 148, 149	044, 086, 114, 168, 182	029, 038	058, 127 (DVD) 132 (DVD)
RC-AK			095		
Realistic	100, 107, 114, 169, 175, 177, 178, 195, 207	019, 020, 037, 038, 046, 047, 066, 070, 072, 088, 093, 097, 100, 103, 107, 120, 137	110	038, 039, 040, 041	
Regal			019, 020, 123, 133		
Regency			037, 041, 123		
Rembrandt			017, 134		
Rhapsody	048				
Ricoh		072, 083			
ROTEL				047, 048	
Runco	114, 171, 236	047	024		
SABA		113			
SAE				069	

**Preprogrammed Remote Control Codes/Codes de contrôle préprogrammés/Códigos de control remoto preprogramados**

Brand/Device Marque/Appareil Marca/Dispositivo	TV	AUX	SAT/CAB	DVD/CD/VCD	
	TV	VCR Magnétoscope VCR	SATELLITE/CABLE SATELLITE/CÂBLE SATÉLITE/CABLE	CD	DVD/VCD
Saisho	098	101			
Salora		089			
Sampo	024, 041, 042, 052, 073, 086, 100, 106, 113, 114, 142, 175, 176, 178, 205, 206, 214	023, 066, 097			
Samsung	070, 100, 107, 113, 114, 140, 144, 157, 167, 170, 171, 175, 176, 178, 179, 188, 189, 190, 197, 200, 214, 237, 240, 249, 250	059, 085, 086, 103, 104, 111, 115, 133, 141, 150	004, 022, 030, 098, 134		110, 113, 128 (DVD)
Samsux	178				
Sanky		066			
Sansui		062, 113, 119, 122, 142		021, 035, 069, 137	
Sanyo	014, 024, 025, 026, 027, 034, 035, 040, 041, 049, 051, 110, 117, 120, 168, 173, 175, 186, 195, 204, 214, 218, 231, 232, 241	019, 020, 021, 022, 068, 070, 088, 103		022, 036, 039, 055	
Schaub Lorenz		113			
Scientific Atlanta			013, 019, 040, 089, 112, 113, 172		
Scimitsu	100				
Scotch	100				
Scott	100, 114, 136, 137, 148, 157, 175, 177, 178	049, 063, 079, 089, 101, 110, 112, 132, 134, 150			
Sears	030, 037, 051, 057, 065, 067, 100, 101, 110, 111, 113, 117, 136, 168, 171, 175, 176, 178, 179, 195, 201, 235	019, 020, 046, 047, 064, 070, 072, 088, 092, 093, 095, 117			
Sega					115
SEI		045			
SET	098				
Sharp	009, 038, 043, 059, 087, 106, 113, 133, 157, 173, 176, 178, 179, 188, 192, 206, 207, 208	024, 037, 058, 066, 097, 100, 138	137	019, 040	111
Sherwood				007, 023, 040, 053, 54	
Shinco					107
Shintom		038, 064, 083, 084, 103, 119			
Shogun	100	103			
Sigma			034		
Signal			016, 030		
Signature	037, 063, 065, 100		017, 023		
Simpson	060, 114, 132				
Singer	187	047, 103, 119			
Sinudyne	098				

**Preprogrammed Remote Control Codes/Codes de contrôle préprogrammés/Códigos de control remoto preprogramados**

Brand/Device Marque/Appareil Marca/Dispositivo	TV	AUX	SAT/CAB	DVD/CD/VCD	
	TV	VCR Magnétoscope VCR	SATELLITE/CABLE SATELLITE/CÂBLE SATÉLITE/CABLE	CD	DVD/VCD
Sky Giant			063, 075, 138, 153		
SL Marx			030		
Sony	000, 001, 012, 013, 014, 024, 045, 046, 073, 097, 181, 198, 202, 204, 214, 232, 244, 245, 246	000, 001, 002, 003, 004, 005, 060, 072, 081, 082, 083, 084	169	000, 037, 049, 136	049, 063, 114, 124 (DVD)
Soundesign	100, 113, 132, 136, 176, 177				
Sowa	005, 014, 024, 057, 068, 072, 073, 172, 199, 200, 204, 214				
Space TV			035		
Spectricon	100, 114, 177, 202				
Sprucer			114, 148		
Squareview	030				
SSS	100, 113, 177				
Standard			134		
Starcom			016, 023, 130		
Stargate			016, 030		
Starlite	100, 177				
Starquest			016		
STS		064	080		
Sun Moon Star 2400			181		
Supra	178				
Supre-Macy	132, 160, 178				
Supreme	046				
Sylvania	037, 060, 082, 085, 100, 109, 113, 114, 127, 131, 132, 162, 163, 167, 175, 176	045, 049, 067, 072, 075, 089, 120, 123, 137	031, 032	022, 069	
Symphonic	030, 136, 137, 148, 177	038, 107, 120			
Synco	014, 024, 073, 198, 202, 204, 206, 214				
TADA			053, 162		
TADIRAN			030		
Taicom			055		
Tai Wah	064, 212				
Tandy	065, 178, 206, 207	088, 120			
Tashiko	205	046			
Tatung	005, 010, 014, 020, 024, 037, 041, 057, 068, 072, 073, 083, 101, 172, 187, 199, 200, 202, 204, 214	013, 038, 062, 113, 127			134 (DVD)
Tay Shoen			058, 154		
Teac		038, 107, 113, 120, 127		002, 006, 014, 030, 040	
Technics	050, 083, 108, 187	006, 072		003, 030	
TECHNOSAT			149		
TECHNOVISION	151				
Techwood	050, 083, 113, 176, 187, 202				
Teco	002, 014, 028, 029, 061, 077, 078, 079, 086, 091, 183, 187, 204				

**Preprogrammed Remote Control Codes/Codes de contrôle préprogrammés/Códigos de control remoto preprogramados**

Brand/Device Marque/Appareil Marca/Dispositivo	TV	AUX	SAT/CAB	DVD/CD/VCD	
	TV	VCR Magnétoscope VCR	SATELLITE/CABLE SATELLITE/CÂBLE SATÉLITE/CABLE	CD	DVD/VCD
Tedalex			104		
Teknika	037, 055, 063, 100, 103, 113, 132, 136, 157, 160, 167, 171, 176, 177, 178, 179, 188, 190, 201	038, 043, 046, 047, 072, 080, 107, 120	025		
Telecaption II	136, 147, 178				
Telefunken		113			
Telerent	063, 178				
Teleview			030		
Tera	014, 076, 100, 113, 176, 204, 205, 214				
Texscan			029, 031, 032		
Theta Digital		114			
Thomson/ProScan	051, 065, 180	051, 113			126 (DVD)
Thorn		113			
TMK	098, 101, 113, 176	098, 103, 111, 116			
Tocom			000, 001, 008, 111		
Tomashi	054				
Toshiba	003, 010, 018, 020, 024, 041, 057, 101, 102, 147, 150, 168, 171, 172, 195, 199, 200, 201, 207, 214	009, 010, 013, 048, 049, 061, 064, 089, 093, 113, 117, 134, 150	024, 074, 078, 081, 105	024, 026	059, 064, 123 (DVD)
Tosonic	048				
Totevision	178	046, 047, 103, 141	112		
Trans PX			048, 069, 072, 075, 112, 117, 136, 179		
Tri-vision			011, 109, 125, 137		
Tri-Lex	071 (MPEG Card)				
Triumph	098	116			
Tuntex	100				
Tusa			016		
TV 86			030		
U-MEN	187				
Uniden			079		
Unika			004, 006, 028		
Unitech		103, 141			
United Cable			130		
United Satellite			077, 079		
Universal	065, 131, 184		026, 027		
UPMOST	155 (MPEG Card)				
Veccom			107		
Vector Research	114	025, 063, 089, 109, 142			
Victor	067, 081, 165	063, 142, 150			
Videocon	003, 018				
Video Concepts		025, 100, 109, 142, 150			
Videosonic		038, 103, 119, 141			
Videotronic		072			
Videoway			024, 108		

**Preprogrammed Remote Control Codes/Codes de contrôle préprogrammés/Códigos de control remoto preprogramados**

Brand/Device Marque/Appareil Marca/Dispositivo	TV	AUX	SAT/CAB	DVD/CD/VCD	
	TV	VCR Magnétoscope VCR	SATELLITE/CABLE SATELLITE/CÂBLE SATÉLITE/CABLE	CD	DVD/VCD
Vidikron	037				
Vidtech	100, 113, 190				
Viewstar			004, 005, 006, 007, 008, 037, 038, 039, 042, 046		
Viking	160				
Visa	115				
Vortec			098		
Walmart			068		
Warner Amex			022		
Wards	037, 051, 060, 063, 082, 087, 100, 109, 113, 114, 116, 131, 132, 136, 137, 162, 163, 175, 176, 178, 184, 190, 207	037, 038, 046, 064, 066, 070, 072, 094, 097, 100, 103, 107, 119, 120, 125, 141			
Warton	081				
Winer			054, 087, 090		
WISO			026, 056, 145		
XR-1000		038, 072, 103, 119			
Yamaha	100, 113, 114, 176, 190	025, 088, 109, 113, 127, 142		005, 009, 034	
Yorx	114, 175				
Zenith	062, 063, 103, 219, 233, 236	047, 062, 083, 084	021, 024, 076, 082, 083, 084, 106, 117, 126, 147	080	057
Zentek			068		
Zonda	202				
Others	053, 054, 119, 151, 182, 185, 209, 220, 221	052, 053, 054, 055, 056, 073, 076, 077, 078	045, 047, 085, 143, 146, 159, 176, 177		072, 073, 074, 097, 100, 101







This Class B digital apparatus complies with Canadian ICES-003. • Cet appareillage digital de Classe B est conforme au ICES-003 canadien.

© 2007 Altec Lansing

ALTEC, ALTEC LANSING, the Altec Lansing logo, the swirl design, and The Voice of the Theatre logo are registered trademarks or trademarks of Altec Lansing. Manufactured under license from Dolby Laboratories. Dolby and the double-D symbol are trademarks of Dolby Laboratories. NXT and the NXT logo are registered trademarks of NXT plc. Manufactured under license from one or more of the following DTS, Inc. U.S. Pat. Nos.: 5,451,942; 5,956,674; 5,974,380; 5,978,762; 6,226,616; 6,487,535 and other U.S. and world-wide patents issued and pending. "DTS" and "DTS Digital Surround" are registered trademarks of DTS, Inc. Copyright 1996, 2002-2006, DTS, Inc. All Rights Reserved. All other trademarks appearing herein are the property of their respective owners.

ALTEC, ALTEC LANSING, le logo Altec Lansing, le tourbillon et le logo The Voice of the Theatre sont des marques déposées ou des marques de commerce de Altec Lansing. Fabrication sous licence des Laboratoires Dolby. Dolby et le symbole DD sont des marques de commerce des Laboratoires Dolby. NXT et le logo NXT sont des marques déposées de NXT plc. Fabrication sous licence à partir d'un ou plusieurs des brevets américains DTS, Inc suivants : 5 451 942 ; 5 956 674 ; 5 974 380 ; 5 978 762 ; 6 226 616 ; 6 487 535 et autres brevets américains et internationaux délivrés et en instance. "DTS" et "DTS Digital Surround" sont des marques déposées de DTS, Inc. Copyright 1996, 2002-2006, DTS, Inc. Tous droits réservés. Toutes les autres marques de commerce apparaissant ci-contre sont la propriété de leurs propriétaires respectifs.

Corporate Headquarters 535 Rte. 6 & 209, Milford, PA 18337-0277, USA • 866-570-5702 • 570-296-4434 • Fax 570-296-6887  
Europe 13 Rue Beaumont, L-1219 Luxembourg, Luxembourg  
Asia/Pacific 25 Canton Road, Tsim Sha Tsui, Kowloon, Hong Kong  
Designed in USA. Made in China



A12418 R02



## Free Manuals Download Website

<http://myh66.com>

<http://usermanuals.us>

<http://www.somanuals.com>

<http://www.4manuals.cc>

<http://www.manual-lib.com>

<http://www.404manual.com>

<http://www.luxmanual.com>

<http://aubethermostatmanual.com>

Golf course search by state

<http://golfingnear.com>

Email search by domain

<http://emailbydomain.com>

Auto manuals search

<http://auto.somanuals.com>

TV manuals search

<http://tv.somanuals.com>