

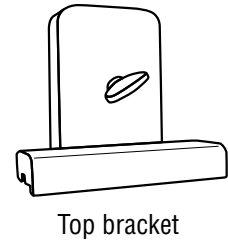
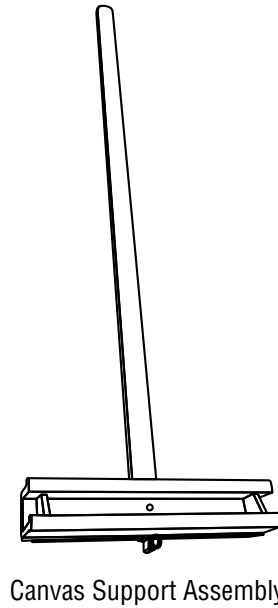
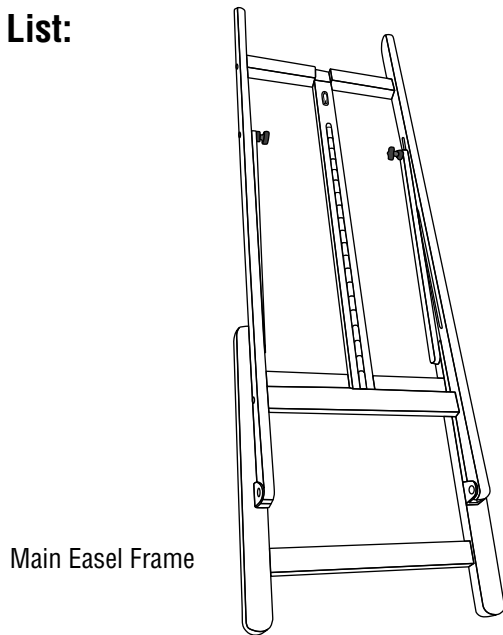


# Heritage™ H-Frame Easel

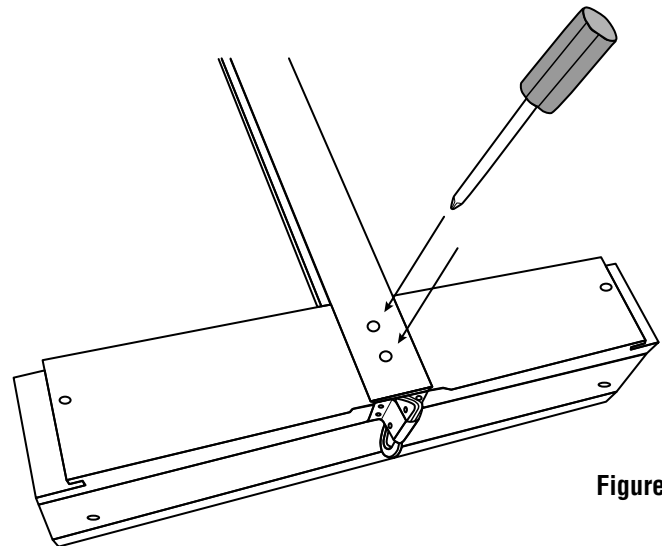
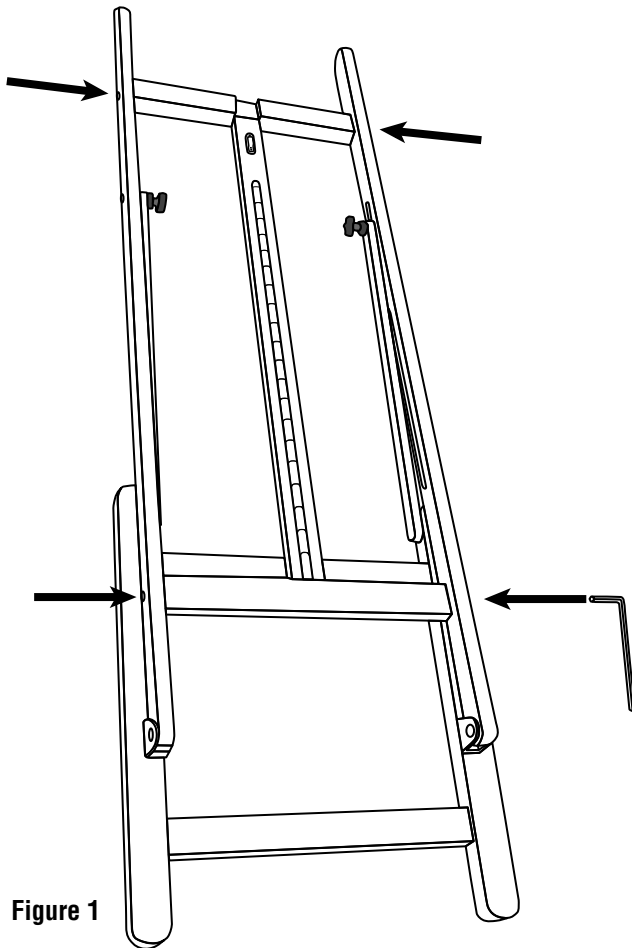
## Assembly Instructions

For HWE150

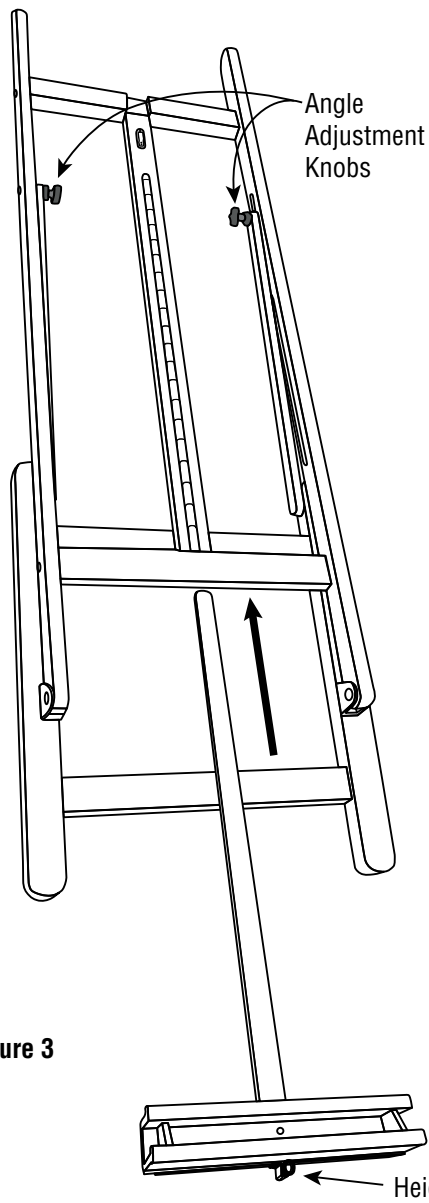
### Parts List:



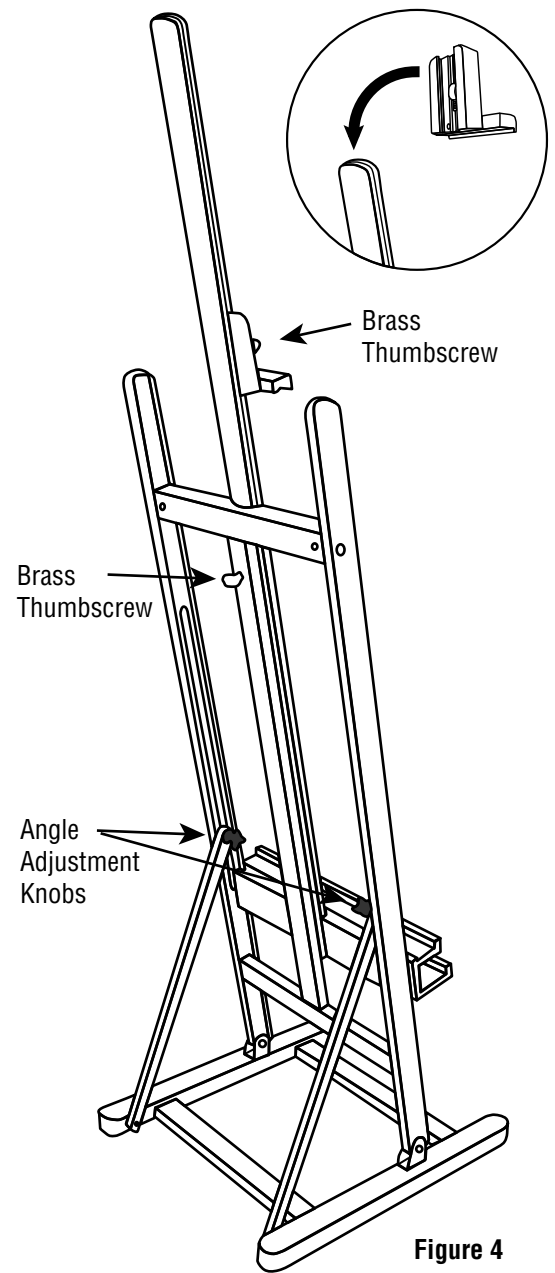
### To Assemble



- 1** Unwrap and lay out all parts.
- 2** Some hardware may have loosened during transportation. For best results, we suggest that you tighten the four Allen bolts in sides of main easel frame, as shown in Figure 1, and tighten the two Phillips screws in the back of canvas support assembly, as shown in Figure 2.



**Figure 3**



**Figure 4**

- 3** Lay main easel frame flat on floor with brass height adjustment track facing up.
- 4** Carefully slide canvas support assembly from below into slots and tracks in main frame, as shown in Figure 3. Pull spring-loaded height-adjustment ring and set in the third track position for the time being.
- 5** Loosen the two angle adjustment knobs and slowly lift frame into the vertical position, as shown in Figure 4. Tighten knobs when desired angle is reached.
- 6** Slide top bracket down over main vertical track and secure with brass thumbscrew at desired height, as shown in Figure 4.
- 7** Your easel is now ready to use. Enjoy!

## To Adjust Height

- 1** Loosen brass thumbscrew on back of main vertical track.
- 2** Pull spring-loaded height-adjustment ring to release locking mechanism from brass track. Slide canvas support assembly up or down until desired height is reached.
- 3** Retighten brass thumbscrew.

Please save these instructions for future reference.

## Free Manuals Download Website

<http://myh66.com>

<http://usermanuals.us>

<http://www.somanuals.com>

<http://www.4manuals.cc>

<http://www.manual-lib.com>

<http://www.404manual.com>

<http://www.luxmanual.com>

<http://aubethermostatmanual.com>

Golf course search by state

<http://golfingnear.com>

Email search by domain

<http://emailbydomain.com>

Auto manuals search

<http://auto.somanuals.com>

TV manuals search

<http://tv.somanuals.com>