

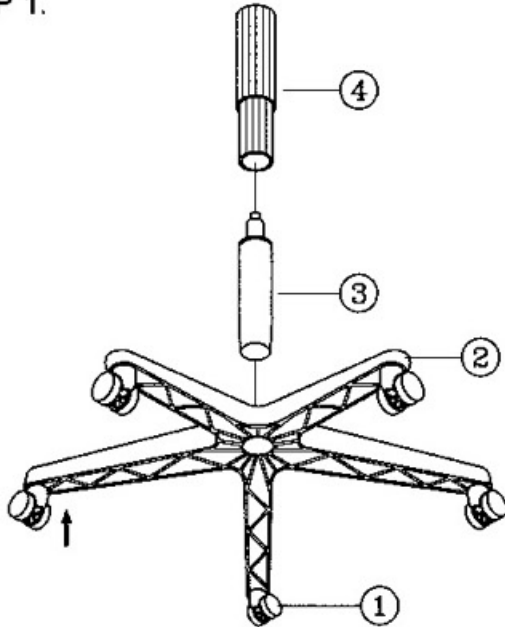


Assembly Instruction for Ergonomic Swivel Office / Task Chair "PREMO" No. CH444

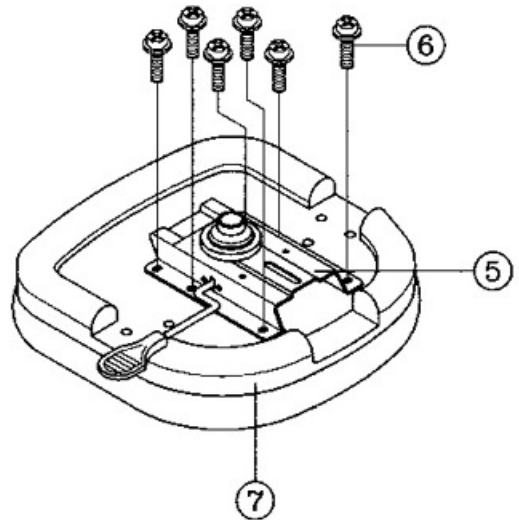
PART LIST

KEY QTY	DESCRIPTION	KEY QTY	DESCRIPTION	KEY QTY	DESCRIPTION	
1	5	Caster	7	1	Seat	
2	1	Base	8	1	Backrest	
3	1	Seat Post	9	1	Connector Bar + Bellow	
4	1	Seat Post Cover	10	1	Backrest Bellow	
5	1	Mechanism	11	1	Backrest Height Adj. Knob + Washer	
6	6	Mechanism Screw				
				12	1	Backrest Depth Adj. Knob + Washers
				13	1	Knob for Inward & Outward

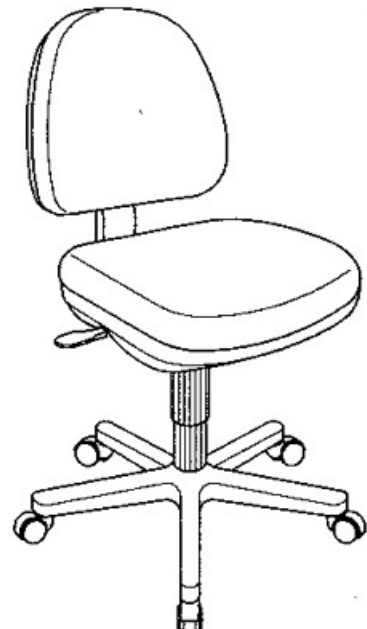
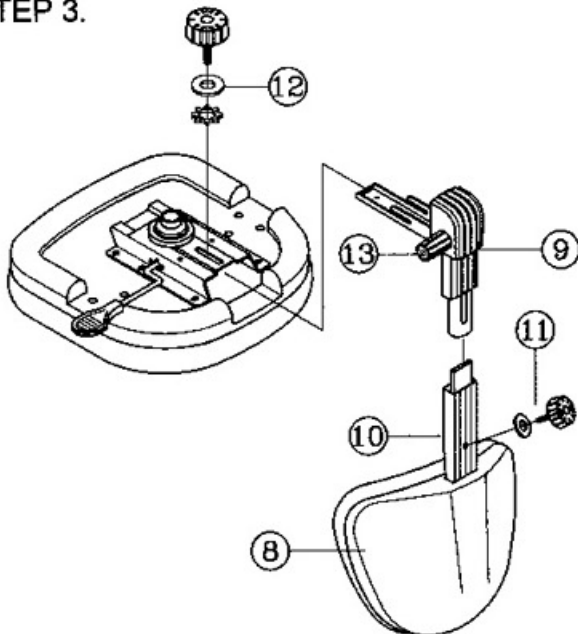
STEP 1.



STEP 2.



STEP 3.



Free Manuals Download Website

<http://myh66.com>

<http://usermanuals.us>

<http://www.somanuals.com>

<http://www.4manuals.cc>

<http://www.manual-lib.com>

<http://www.404manual.com>

<http://www.luxmanual.com>

<http://aubethermostatmanual.com>

Golf course search by state

<http://golfingnear.com>

Email search by domain

<http://emailbydomain.com>

Auto manuals search

<http://auto.somanuals.com>

TV manuals search

<http://tv.somanuals.com>