

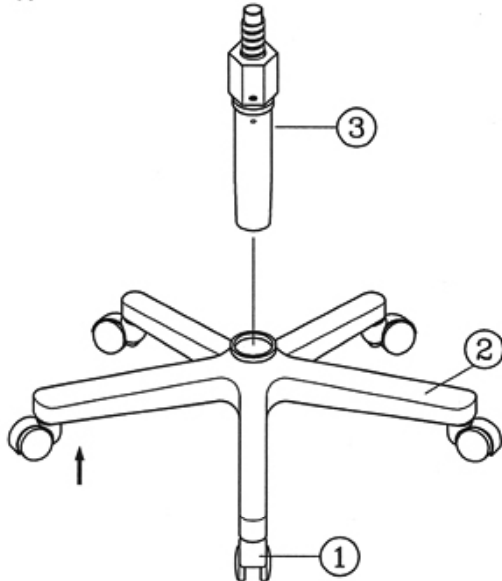


Assembly Instructions for No. CH445 Chair

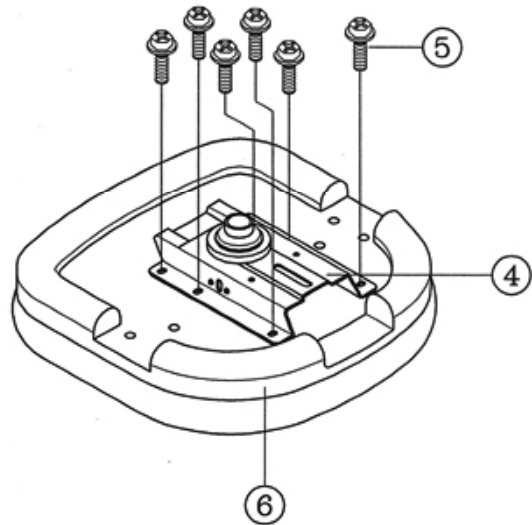
PART LIST

KEY QTY	DESCRIPTION	KEY QTY	DESCRIPTION	KEY QTY	DESCRIPTION
1	5 Casters	6	1 Seat	11	1 Backrest Depth Adj. Knob + Washers
2	1 Base	7	1 Backrest	12	1 Backrest Height Adj. Knob + Washer
3	1 Gas Cylinder	8	1 Backrest Connector+Cover		
4	1 Seat Plate	9	1 Backrest Support Cover		
5	6 Seat Plate Screws	10	1 Angle Adj Knob		

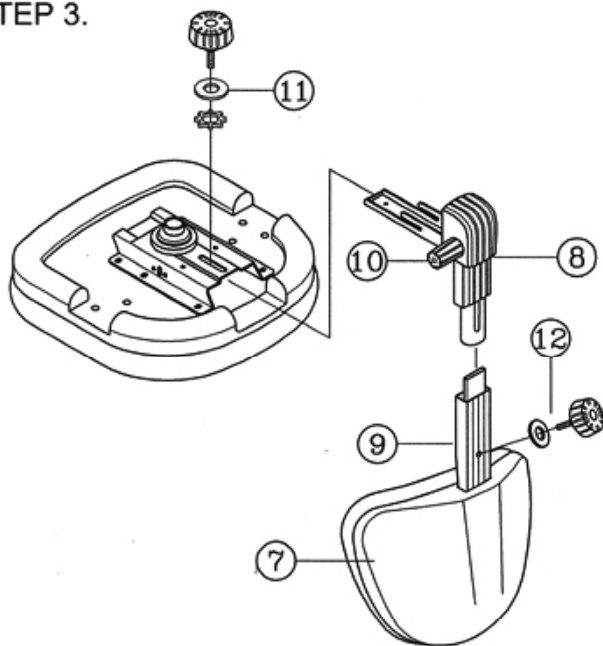
STEP 1.



STEP 2.



STEP 3.



Free Manuals Download Website

<http://myh66.com>

<http://usermanuals.us>

<http://www.somanuals.com>

<http://www.4manuals.cc>

<http://www.manual-lib.com>

<http://www.404manual.com>

<http://www.luxmanual.com>

<http://aubethermostatmanual.com>

Golf course search by state

<http://golfingnear.com>

Email search by domain

<http://emailbydomain.com>

Auto manuals search

<http://auto.somanuals.com>

TV manuals search

<http://tv.somanuals.com>