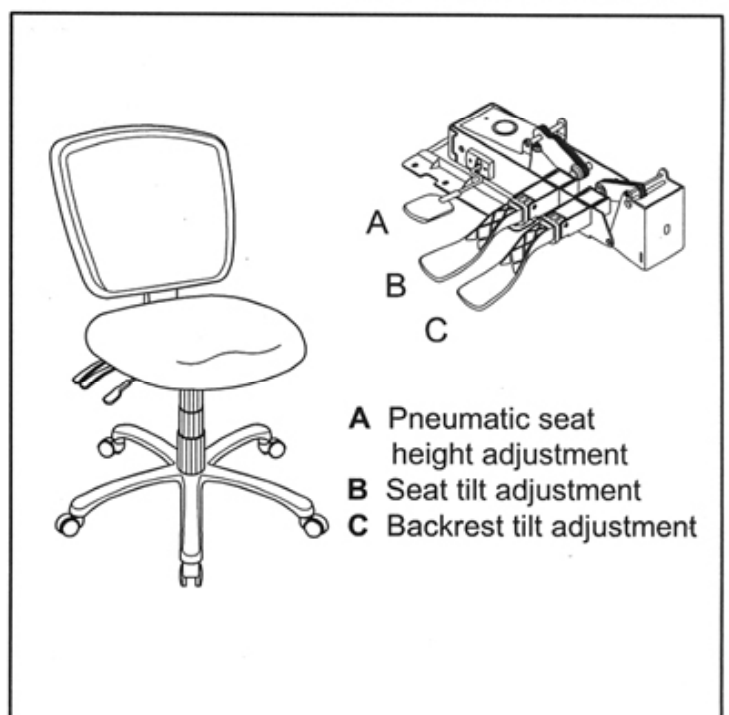
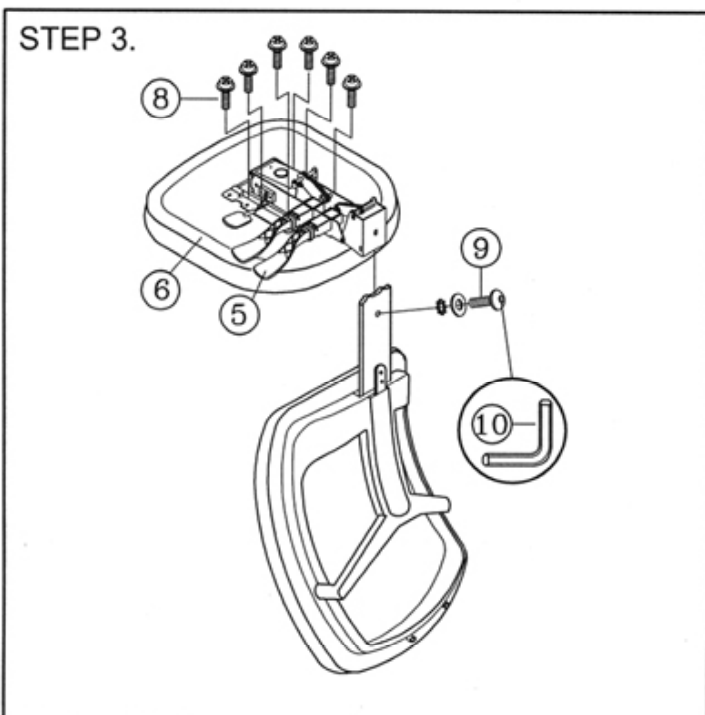
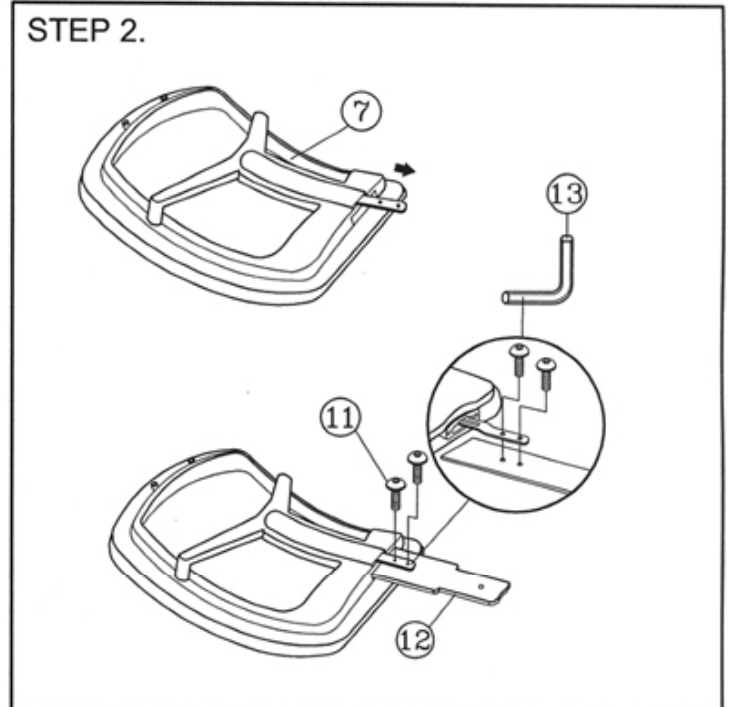
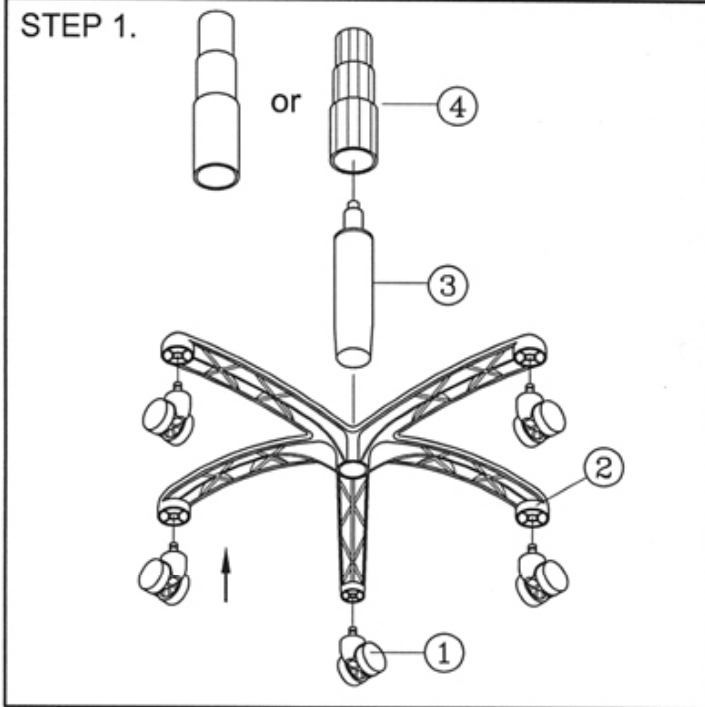




Assembly Instructions for "STANDARD" Chair No. CH728

PART LIST

KEY QTY	DESCRIPTION	KEY QTY	DESCRIPTION	KEY QTY	DESCRIPTION	
1	5	Caster	6	1	Seat	
2	1	Base	7	1	Backrest	
3	1	Seat Post	8	6	Mechanism Screw	
4	1	Seat Post Cover	9	1	Backrest Tight Screw + Washers	
5	1	Mechanism				
				10	1	M6 Size Allen Wrench
				11	2	Backrest Screw
				12	1	Backrest Post
				13	1	M5 Size Allen Wrench



Free Manuals Download Website

<http://myh66.com>

<http://usermanuals.us>

<http://www.somanuals.com>

<http://www.4manuals.cc>

<http://www.manual-lib.com>

<http://www.404manual.com>

<http://www.luxmanual.com>

<http://aubethermostatmanual.com>

Golf course search by state

<http://golfingnear.com>

Email search by domain

<http://emailbydomain.com>

Auto manuals search

<http://auto.somanuals.com>

TV manuals search

<http://tv.somanuals.com>