

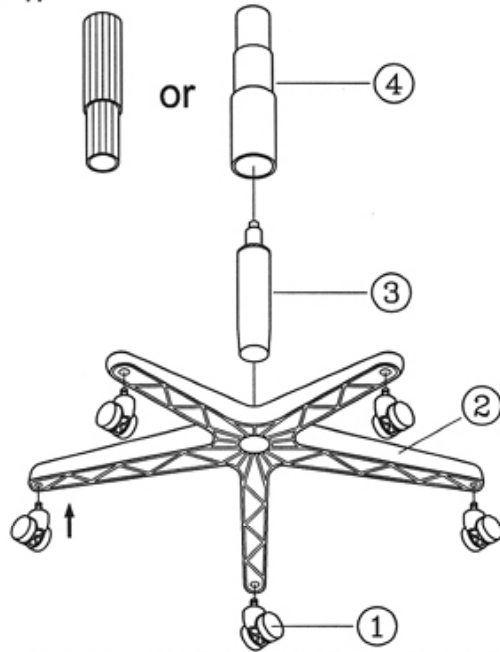


Assembly Instructions for Chair No. CH750

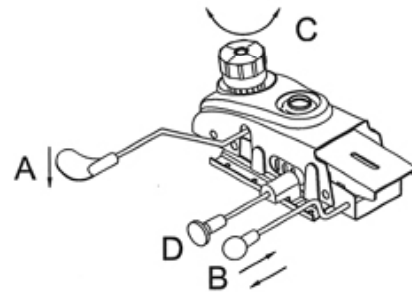
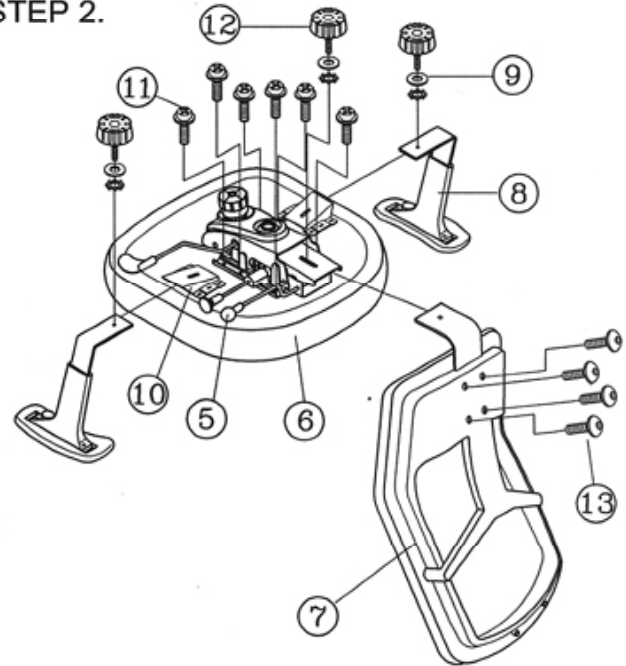
PART LIST

KEY	QTY	DESCRIPTION	KEY	QTY	DESCRIPTION	KEY	QTY	DESCRIPTION
1	5	Casters	6	1	Seat	10	2	Arm Bracket
2	1	Base	7	1	Backrest	11	6	SEat Plate Screws
3	1	Gas Cylinder	8	2	Armrest	12	1	Backrest Tight Knob + Washers
4	1	Cylinder Cover	9	2	Arm Width Adjustment Knob + Washers	13	4	Backrest Screws
5	1	Seat Plate						

STEP 1.



STEP 2.



MECHANISM OPERATING INSTRUCTION WHILE SEATING :

- (A) **SEAT HEIGHT ADJUSTMENT :**
Pull lever up and downward . Release lever when desired position is reached.
- (B) **BACK TILT ADJUSTMENT :**
Pull lever horizontally . Move backrest to tilt . To lock in upright position , push lever in.
- (C) **TILT TENSION ADJUSTMENT KNOB :**
Rotate knob clockwise / counterclockwise to adjust tilt tension based on body weight.
- (D) Pull handle bar out , allows seat to slide forward and backward . Release handle bar to lock desired seat position.



Free Manuals Download Website

<http://myh66.com>

<http://usermanuals.us>

<http://www.somanuals.com>

<http://www.4manuals.cc>

<http://www.manual-lib.com>

<http://www.404manual.com>

<http://www.luxmanual.com>

<http://aubethermostatmanual.com>

Golf course search by state

<http://golfingnear.com>

Email search by domain

<http://emailbydomain.com>

Auto manuals search

<http://auto.somanuals.com>

TV manuals search

<http://tv.somanuals.com>