

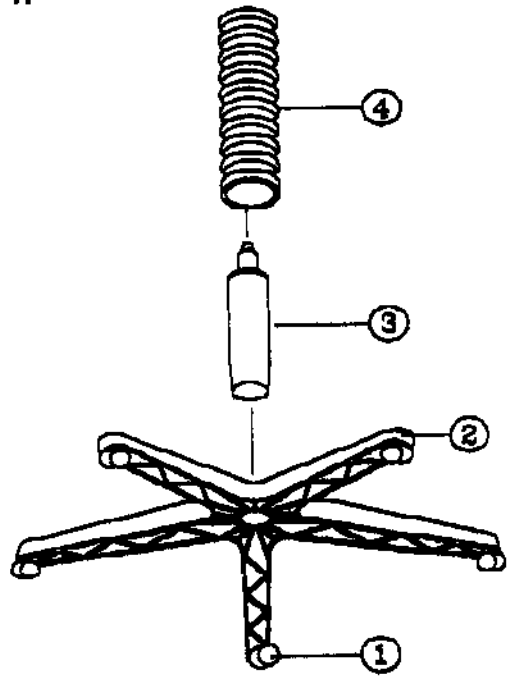


Assembly Instructions for "Monarch" Drafting Chair No. DC555-40

PARTS LIST

KEY	QTY	DESCRIPTION
1	6	CASTER
2	1	BASE
3	1	SEAT POST
4	1	SEAT POST COVER
5	1	MECHANISM
6	6	MECHANISM SCREW
7	1	FOOTREST
8	1	SEAT
9	1	UP & DOWN KNOB
10	1	BACKREST
11	1	BACKREST POST + COVER
12	1	PLASTIC STOPPER
13	1	MECHANISM PLASTIC BELLOW

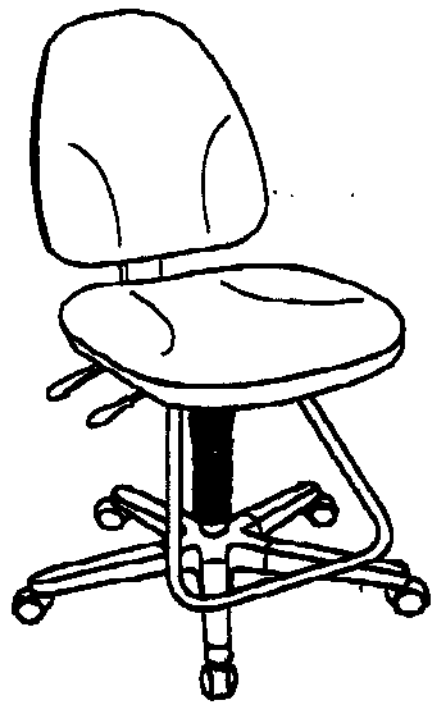
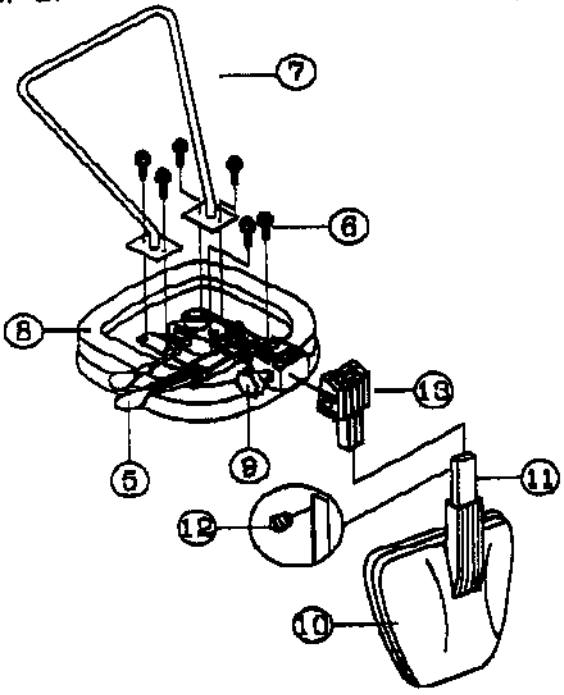
STEP 1.



PREVENTIVE MAINTENANCE AND WARNING

- USE THIS PRODUCT ONLY FOR SEATING ONE PERSON AT A TIME.
- DO NOT USE CHAIR AS STEP STOOL/LADDER.
- DO NOT USE CHAIR UNLESS ALL BOLTS, SCREWS AND KNOBS ARE TIGHT.
- AT LEAST EVERY SIX MONTHS, CHECK ALL BOLTS, SCREWS AND KNOBS TO BE SURE THEY ARE TIGHT.
- IF ANY PARTS ARE MISSING, BROKEN, DAMAGED OR WORN, STOP USE OF THE PRODUCT UNTIL REPAIRS ARE MADE USING FACTORY AUTHORIZED PARTS.
- FAILURE TO FOLLOW THESE WARNINGS CAN RESULT TO SERIOUS INJURY.

STEP 2.



Free Manuals Download Website

<http://myh66.com>

<http://usermanuals.us>

<http://www.somanuals.com>

<http://www.4manuals.cc>

<http://www.manual-lib.com>

<http://www.404manual.com>

<http://www.luxmanual.com>

<http://aubethermostatmanual.com>

Golf course search by state

<http://golfingnear.com>

Email search by domain

<http://emailbydomain.com>

Auto manuals search

<http://auto.somanuals.com>

TV manuals search

<http://tv.somanuals.com>