

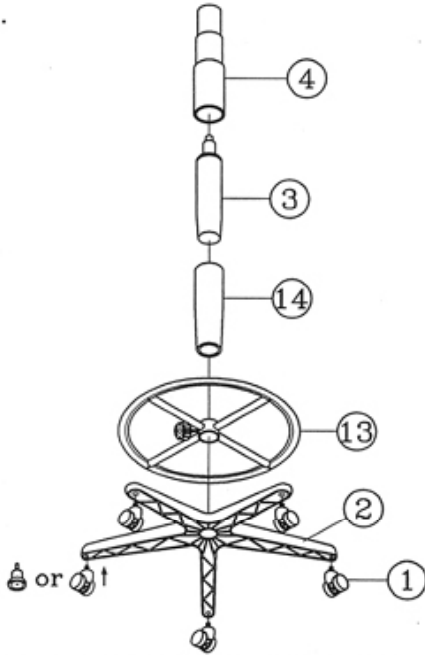


Assembly Instructions for Chair No. DC724

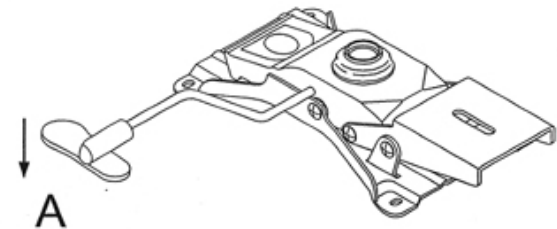
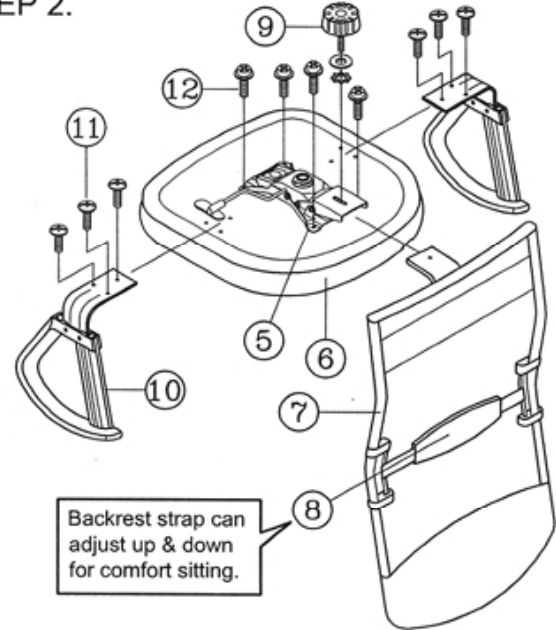
PART LIST

KEY QTY	DESCRIPTION	KEY QTY	DESCRIPTION	KEY QTY	DESCRIPTION
1	5 Casters	7	1 Backrest	12	4 Seat Plate Screws
2	1 Base	8	1 Lumbar Support Strap	13	1 Footrest + Height Adjustment Knob
3	1 Gas Cylinder	9	1 Seat Depth Adjustment Knob + Washers	14	1 Extension Tube
4	1 Cylinder Cover				
5	1 Seat Plate	10	2 Armrests		
6	1 Seat	11	6 Armrest Screws		

STEP 1.



STEP 2.



MECHANISM OPERATING INSTRUCTION WHILE SEATING :

- (A) SEAT HEIGHT ADJUSTMENT :
Pull lever up and downward . Release lever when desired position is reached.



Free Manuals Download Website

<http://myh66.com>

<http://usermanuals.us>

<http://www.somanuals.com>

<http://www.4manuals.cc>

<http://www.manual-lib.com>

<http://www.404manual.com>

<http://www.luxmanual.com>

<http://aubethermostatmanual.com>

Golf course search by state

<http://golfingnear.com>

Email search by domain

<http://emailbydomain.com>

Auto manuals search

<http://auto.somanuals.com>

TV manuals search

<http://tv.somanuals.com>