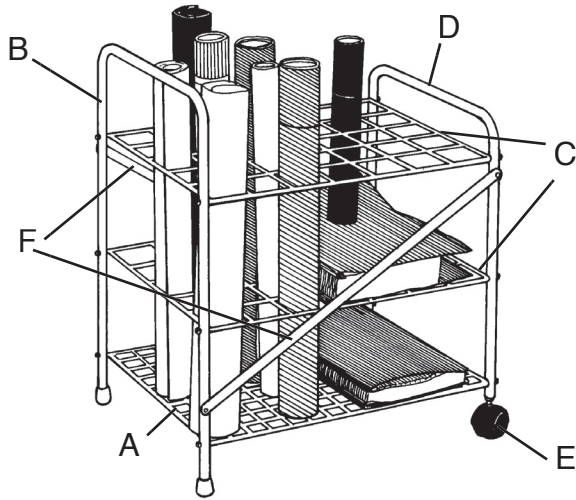
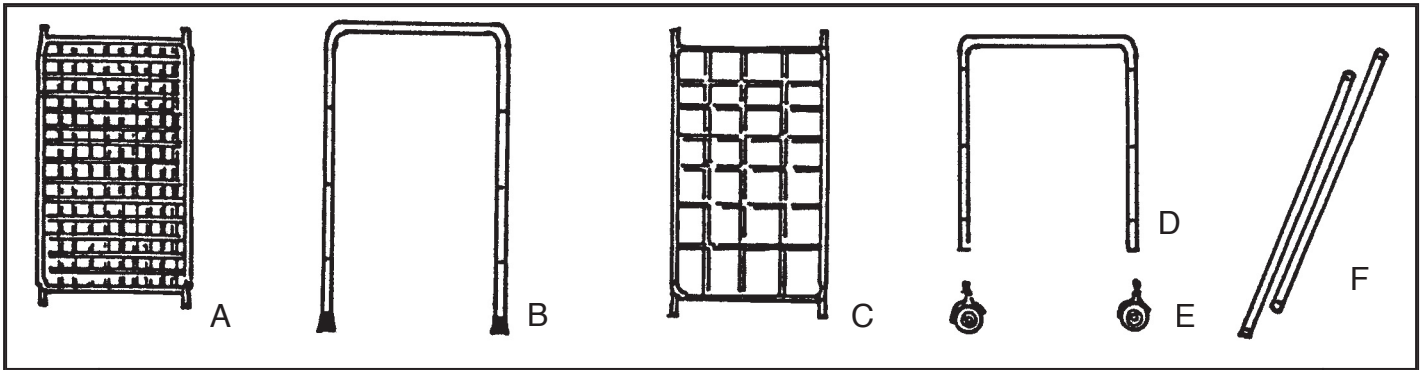




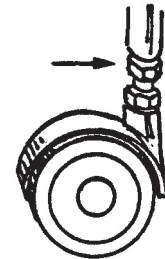
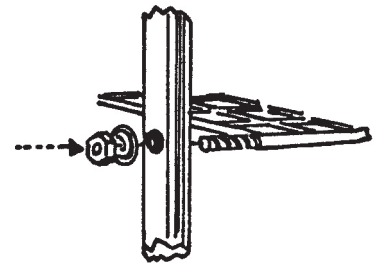
Assembly Instructions for Mobile File Cart No. WTF35



CONTENTS		
Key	Qty.	Description
A	1	Grid Tray with small openings
B	1	Frame Section with rubber feet
C	2	Grid Tray with large openings
D	1	Frame Section
E	2	Covered Casters with lock nuts
F	2	Side Braces (left and right)
G	1	Dust Protector bottom cover (Optional)
	12	Nuts,
	4	Screws



1. Attach grid tray with small openings(A), to bottom of large frame section(B).
2. Attach remaining two trays(C).
3. Secure smaller frame section(D) in the same manner.
4. Using enclosed screws, attach left and right side braces(F) at opposite angles for support.
5. Twist casters(E) into place.
6. Optional white dust protector may be placed on the bottom tray if desired. To hold dust protector in secure position use transparent tape at each corner.



Free Manuals Download Website

<http://myh66.com>

<http://usermanuals.us>

<http://www.somanuals.com>

<http://www.4manuals.cc>

<http://www.manual-lib.com>

<http://www.404manual.com>

<http://www.luxmanual.com>

<http://aubethermostatmanual.com>

Golf course search by state

<http://golfingnear.com>

Email search by domain

<http://emailbydomain.com>

Auto manuals search

<http://auto.somanuals.com>

TV manuals search

<http://tv.somanuals.com>