



PXB Board Instructions

Thank you for purchasing an Alvin PXB Portable Drawing Board.

With proper care and handling, your PXB will provide you with years of accurate and productive use.

PXB Boards are available in the following sizes:

PXB21	16" x 21"
PXB24	18" x 24"
PXB26	20" x 26"
PXB31	23" x 31"
PXB36	24" x 36"
PXB42	30" x 42"



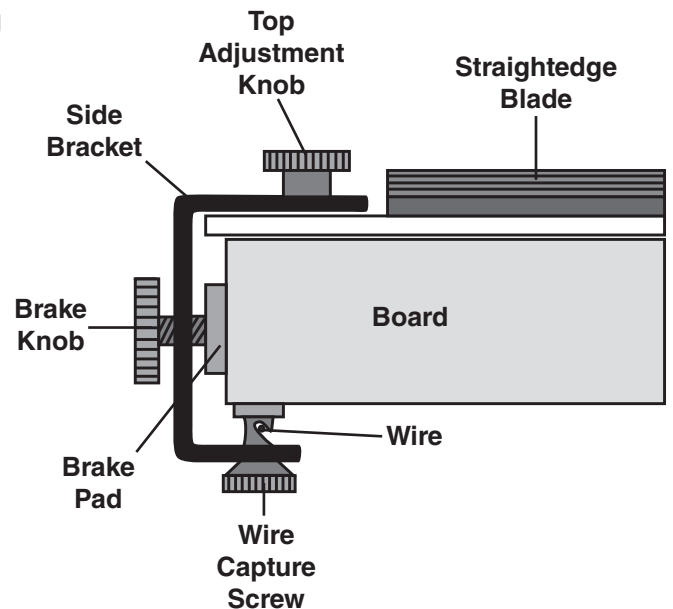
Care and Handling

- ◆ Keep all adjustment knobs tight to ensure straightedge stays parallel
- ◆ Clean board surface and underside of blade with mild detergent and soft cloth. Wipe dry
- ◆ Avoid direct exposure to sunlight or extreme heat
- ◆ Protect your PXB from damage by storing and transporting in a protective case
- ◆ Do not move straightedge with brakes tightened; always move straightedge with a smooth, easy motion

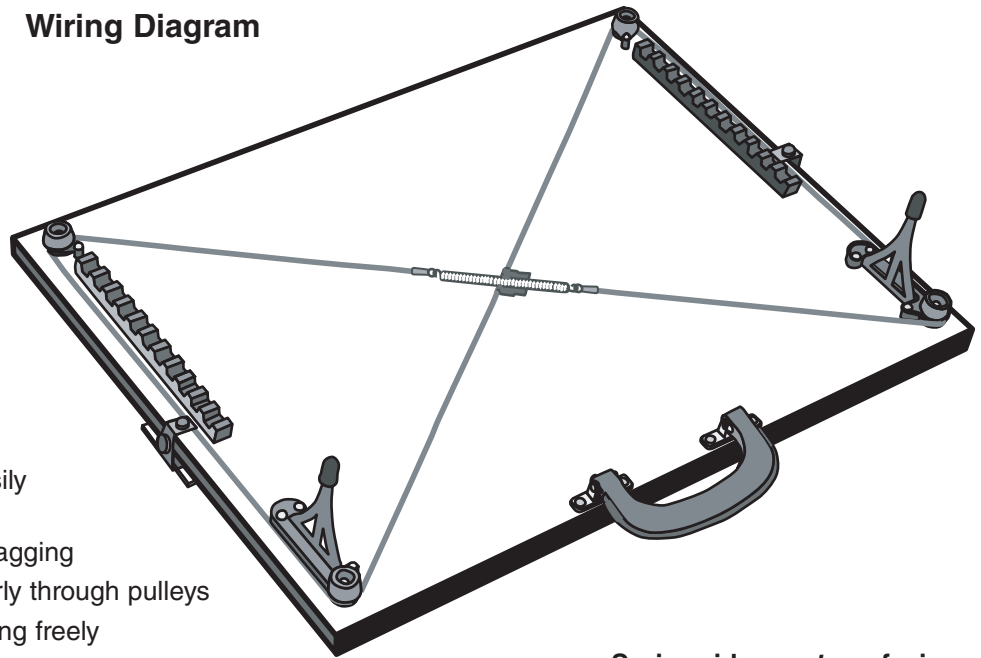
Adjustments

It is recommended that you follow this sequence when making adjustments to the position of the straightedge blade:

1. Set the brakes for optimum braking strength
 - ◆ Unscrew brake knobs as far as they will go.
 - ◆ Retighten brake knobs one full revolution only
 - ◆ Loosen top adjustment knobs
 - ◆ Push metal side brackets toward the center until both brake pads rest against edges of board
 - ◆ Retighten top adjustment knobs
 - ◆ Brakes are now set and ready to use. Simply tighten and loosen brake knobs as necessary
 - ◆ Be sure to keep top adjustment knobs tightly secured or the brakes will not function
2. Set straightedge blade parallel to edge of board
 - ◆ Loosen one wire capture screw on either side of the blade
 - ◆ Pivot the blade until it is in the desired parallel position
 - ◆ Retighten wire capture screw



Wiring Diagram



Troubleshooting

- ◆ If brakes do not hold firmly, follow brake setting instructions on page 1
- ◆ If straightedge is not parallel, follow adjustment instructions on page 1
- ◆ If straightedge does not slide easily up and down
 - ◆ Check that brakes are not dragging
 - ◆ Check that wires pass properly through pulleys
 - ◆ Check that pulleys are spinning freely
 - ◆ Check that spring is not running into pulleys

Spring rides on top of wire

Replacing or Resetting the Wire

- ◆ Blade should be positioned in center of board when rewiring and spring should be centered
- ◆ Attach eyelet to one end of wire. Connect eyelet to spring
- ◆ Thread wire around pulleys as shown in wiring diagram
- ◆ Extend spring approximately 1" beyond unstretched length
- ◆ Secure wire to second eyelet and trim excess

Spare Parts

Spare parts can be ordered from your local Alvin dealer.
Visit our website www.alvinco.com for a dealer in your area

- | | |
|--------------|--|
| PXP | Kit contains wire, spring, metal side brackets, top adjustment knobs, screws and cable eyelets |
| BX21 | 21" straightedge blade for PXB21 |
| BX24 | 24" straightedge blade for PXB24 |
| BX26 | 26" straightedge blade for PXB26 |
| BX31 | 31" straightedge blade for PXB31 |
| BX36 | 36" straightedge blade for PXB36 |
| BX42 | 42" straightedge blade for PXB42 |
| BX-2 | Metal side brackets. Set of 2 |
| KN6 | Top adjustment knobs. Set of 6 |
| PHX | Carrying handle |
| TF2 | Rubber grip track. Set of 2 |
| BX-SM | Folding legs for PXB21, 24, and 26. Set of 2 |
| BX-LG | Folding legs for PXB31, 36, and 42. Set of 2 |



Alvin & Company, Inc. Bloomfield, CT • Grand Prairie, TX

www.alvinco.com

Oct 2005

Free Manuals Download Website

<http://myh66.com>

<http://usermanuals.us>

<http://www.somanuals.com>

<http://www.4manuals.cc>

<http://www.manual-lib.com>

<http://www.404manual.com>

<http://www.luxmanual.com>

<http://aubethermostatmanual.com>

Golf course search by state

<http://golfingnear.com>

Email search by domain

<http://emailbydomain.com>

Auto manuals search

<http://auto.somanuals.com>

TV manuals search

<http://tv.somanuals.com>