

# ***Amana***<sup>®</sup>

## **Gas Cooktop Owner's Manual**

### **AKS3020\***

### **AKS3040\***

\* Additional letters or numbers representing specific models or colors may follow each model number.

English .....	2
Français .....	14

Para recibir un manual en español gratis, envíe por correo o por fax su nombre, dirección, y número de modelo a:

Amana Appliances  
Consumer Communications/Spanish Manual  
2800 220th Trail  
PO Box 8901  
Amana, Iowa 52204-0001  
USA  
Número de fax 1-319-522-8158

### **Please Read Manual Before Operating Cooktop**

#### **Important**

Save for local electrical inspector's use.

#### **Installer**

Leave this manual and other literature with consumer for future use.

#### **Customer**

Keep these instructions for future reference. If appliance changes ownership, be sure this manual accompanies cooktop.

# Contents

---

Model Identification .....	2
Parts and Accessories .....	2
Service .....	2
Asure™ Extended Service Plan .....	2
Important Safety Information .....	3
ALL APPLIANCES .....	3
SURFACE COOKING UNITS .....	3
Delayed Ignition .....	4
VENTILATION HOOD .....	4
In Case of Fire .....	4
Precautions .....	4
Installation .....	5
Unpacking Cooktop .....	5
Countertop Cutout Dimensions .....	5
Securing Cooktop to Countertop .....	6
Converting Type 1 Pressure Regulator for Use with LP/Propane .....	7
Converting Type 2 Pressure Regulator for Use with LP/Propane .....	7
Converting Burners for Use with LP/Propane .....	7
Converting Type 1 Pressure Regulator for Use with Natural Gas .....	7
Converting Type 2 Pressure Regulator for Use with Natural Gas .....	7
Converting Burners for Use with Natural Gas .....	8
Gas Supply Pressure .....	8
Gas Connection .....	8
Testing for Gas Leaks .....	9
Place Grates and Burner Caps .....	9
Electrical Installation Requirements .....	9
Operation .....	10
Operating Burners .....	10
Cooking Utensils .....	11
Adjusting Surface Burner Flame .....	12
Adjusting Air Shutter .....	12
Adjusting Surface Burner Low Flame Size .....	12
Operating Surface Burner during a Power Failure ....	12
Cleaning Cooktop, Burners, and Grates .....	12
Warranty .....	13

## Model Identification

Complete enclosed registration card and promptly return. If registration card is missing, call Consumer Affairs Department at 1-800-843-0304 inside U.S.A. 319-622-5511 outside U.S.A. When contacting Amana, provide product information located on rating plate. Rating plate is located on bottom of cooktop. Record the following:

Model Number: \_\_\_\_\_  
Manufacturing Number: \_\_\_\_\_  
Serial or S/N Number: \_\_\_\_\_  
Date of purchase: \_\_\_\_\_  
Dealer's name and address: \_\_\_\_\_  
\_\_\_\_\_

## Parts and Accessories

Purchase replacement parts and additional accessories (e.g., refrigerator shelves, dryer racks, or cooktop modules) over the phone. To order accessories for your Amana product, call 1-800-843-0304 inside U.S.A. or 319-622-5511 outside U.S.A.

## Service

Keep a copy of sales receipt for future reference or in case warranty service is required. Any questions or to locate an authorized servicer, call 1-800-NAT-LSVC (1-800-628-5782) inside U.S.A. 319-622-5511 outside U.S.A. Warranty service must be performed by an authorized servicer. Amana Appliances, also recommends contacting an authorized servicer if service is required after warranty expires.

## Before Calling for Service

Review Owner's Manual before calling for service. If problems are not caused by defective workmanship or materials, or if part is customer replaceable, you could be charged for a service call though product is under warranty.

- If you hear gas hissing but burner does not click, check electrical supply.
- If burner flame is large and yellow, check if cooktop needs conversion to LP or natural gas.
- If burner flame is weak or noisy, see "Adjusting Surface Burner Flame" section of manual.

## Asure™ Extended Service Plan

Amana Appliances offers long-term service protection for this new range. Asure™ Extended Service Plan is specially designed to supplement Amana's strong warranty. This plan covers parts, labor, and travel charges.

Call 1-800-528-2682 for information.

# IMPORTANT SAFETY INFORMATION



## WARNING

This gas appliance contains or produces a chemical or chemicals which can cause death or serious illness and which are known to the state of California to cause cancer, birth defects or other reproductive harm. To reduce the risk from substances in the fuel or from fuel combustion make sure this appliance is installed, operated, and maintained according to the instructions in this booklet.



## WARNING

To avoid risk of electrical shock, personal injury, or death, make sure your cooktop has been properly grounded and always disconnect it from main power supply before any servicing.



## WARNING

To avoid death, personal injury or property damage, information in this manual must be followed exactly.

Do not store or use gasoline or other flammable vapors and liquids in the vicinity of this or any other appliance.

### WHAT TO DO IF YOU SMELL GAS

- Do not try to light any appliance.
- Do not touch any electrical switch; do not use any phone in your building.
- Immediately call your gas supplier from a neighbor's phone. Follow the gas supplier's instructions.
- If you cannot reach your gas supplier, call the fire department.

Installation and service must be performed by a qualified installer, service agency or the gas supplier.



## CAUTION

Do not obstruct the flow of combustion or ventilation air.

## ALL APPLIANCES

1. Proper Installation —Be sure your appliance is properly installed and grounded by a qualified technician.
2. Never Use Appliance for Warming or Heating the Room.
3. Do Not Leave Children Alone—Children should not be alone or unattended in the area where the appliance is in use. They should never be allowed to sit or stand on any part of the appliance.
4. Wear Appropriate Apparel—Loose fitting or hanging garments should never be worn while using appliance.
5. User Servicing—Do not repair or replace any part of the appliance unless specifically recommended in the manual. All other servicing should be referred to a qualified technician.
6. Storage in or on Appliance—Flammable materials should not be stored in oven or near surface units.
7. Do Not Use Water on Grease Fires—Smother fire or flame, or use dry chemical or foam-type extinguisher.
8. Use Only Dry Potholders—Moist or damp potholders on hot surfaces may result in burns from steam. Do not let potholder touch elements. Do not use a towel or other bulky cloth.

## SURFACE COOKING UNITS

1. Use Proper Pan Size—This appliance is equipped with one or more surface burners of different sizes. Select utensils having flat bottoms large enough to cover the surface burner flame. The use of undersized utensils will expose a portion of the burner flame to direct contact and may result in ignition of clothing. Proper relationship of utensil to burner will also improve efficiency.
2. Never Leave Surface Burners Unattended—Boilover causes smoking and greasy spillovers that may ignite.
3. Protective Liners—Do not use aluminum foil to line around burners. Improper installation of these liners may result in a risk of electrical shock, or fire.
4. Glazed Cooking Utensils—Only certain types of glass, ceramic, earthenware, or other glazed utensils are suitable for rangetop service without breaking due to sudden change in temperature.
5. Utensil Handles Should be Turned Inward and Not Extend Over Adjacent Surface Burners—To reduce the risk of burns, ignition of flammable materials, and spillage due to unintentional contact with the utensil, the handle of a utensil should be positioned so that it is turned inward, and does not extend over adjacent surface units.

---

## Delayed Ignition

### Surface Burners

Burner should ignite within 4 seconds. If burner does not ignite within 4 seconds turn control knob to *OFF* position and follow directions in "Placing Grates and Burner Caps" section. Try burner again. If burner still does not ignite in 4 seconds, contact an authorized servicer.

## VENTILATION HOOD

1. Clean Ventilation Hood Frequently—Grease should not be allowed to accumulate on hood or filter.
2. When flaming foods under hood, turn fan off. The fan, if operating, may spread the flame.

## In Case of Fire

Fires can occur as a result of over cooking or excessive grease. Though a fire is unlikely, if one occurs, proceed as follows:

### Surface Burner Fire

1. Smother the fire with a nonflammable lid or baking soda, or use a Class ABC or BC extinguisher. Not water. Not salt. Not flour.
2. As soon as it is safe to do so, turn the surface burner controls to *OFF*.
  - As an added precaution, turn off gas supply and power at main circuit breaker or fuse box.

## Precautions

- Do not cook food directly on rangetop surface, always use cookware.
- Do not mix household cleaning products. Chemical mixtures may interact with objectionable or even hazardous results.
- Do not put plastic items on warm cooking areas. They may stick and melt.
- Do not slide rough metal objects across rangetop surface. Scratching or metal marking can result.
- Do not use damp sponge or dishcloth to clean rangetop when range is hot. Steam from sponge or dishcloth can burn.
- Do not leave fat heating unless you remain nearby. Fat can ignite if overheated by spilling onto hot surfaces.
- Do not allow pots to boil dry as this can cause damage to cooking surface and pan.
- Do not use rangetop surface as a cutting board.

# Installation

## Unpacking Cooktop

- Remove all packing and printed material packed with cooktop.
- Slide cooktop out of box.
- To avoid damage, do not slide cooktop across countertop.
- Remove grates, burner grates, burner bowls, and pressure regulator from box.

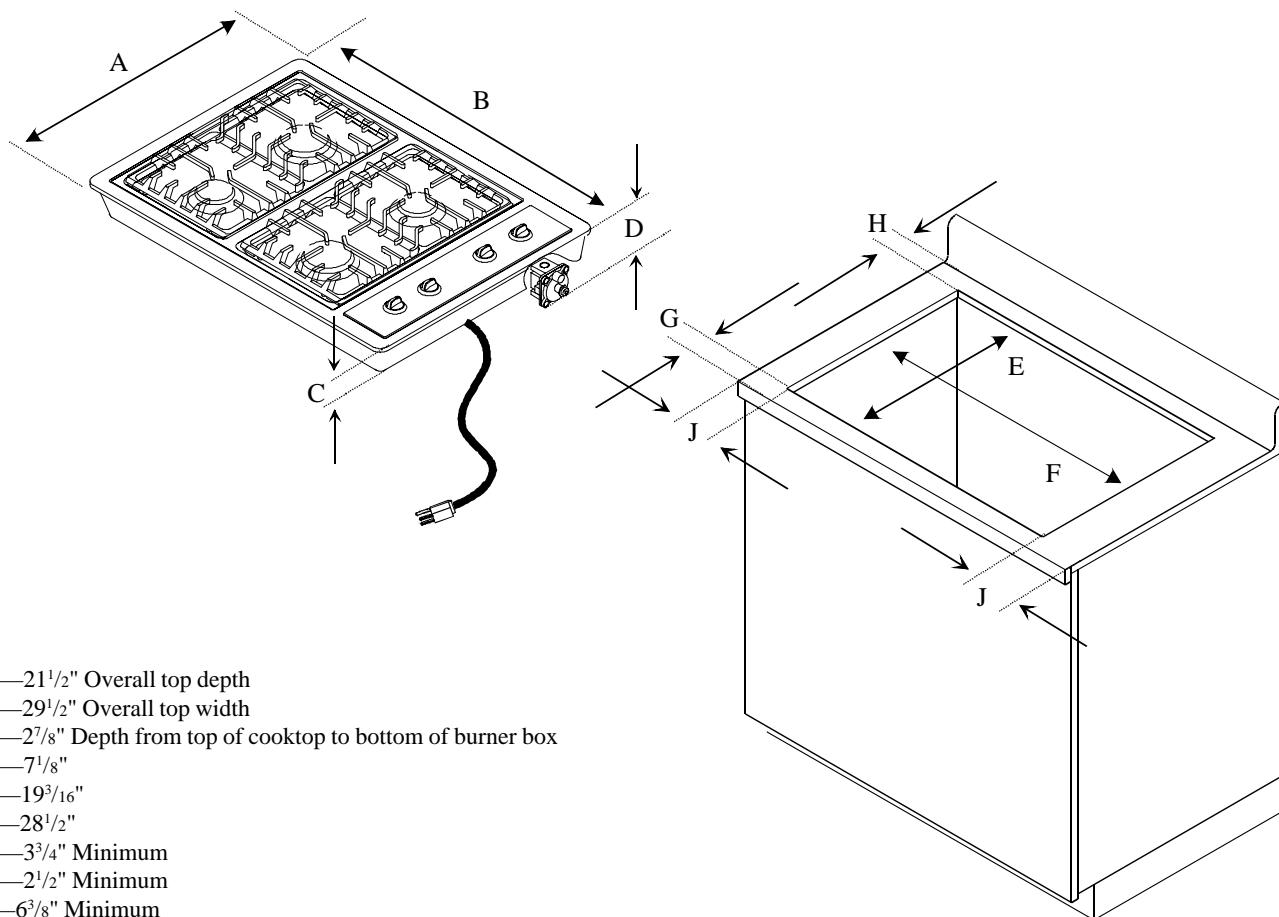
## Countertop Cutout Dimensions

Prepare countertop opening according to dimensions shown in diagram. Given dimensions provide +  $\frac{1}{16}$ " to -0 clearance. Area beneath cooktop must be accessible for adjustment of gas pressure regulator.

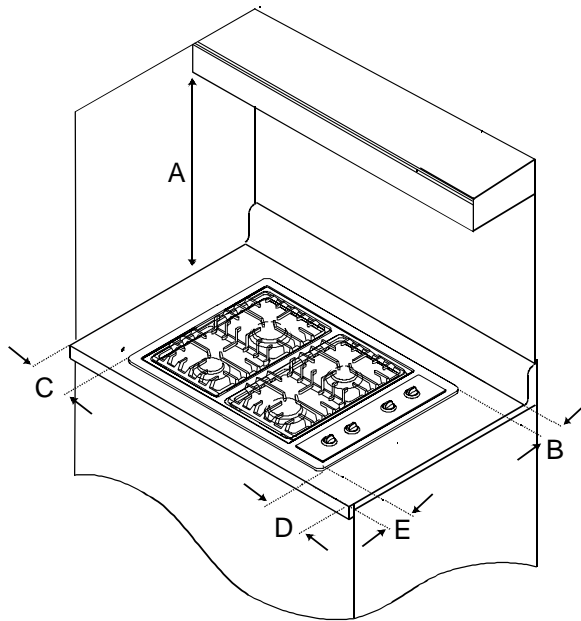


### WARNING

To avoid property damage or personal injury, observe the following specifications.

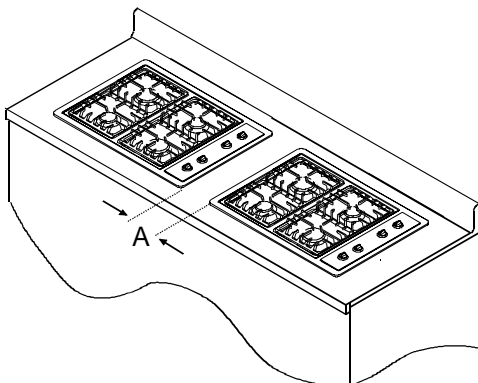


Cooktop and Countertop Dimensions



- A—30 inches between cooking surface and unprotected wood or metal cabinet above cooktop. 24 inches between cooking surface and protected wood or metal cabinet above cooktop. Cabinet bottom must be protected by at least ¼ inch thick millboard with not less than No. 28 MSG sheet steel, .015 inch thick stainless steel, .024 inch thick aluminum, or .020 inch thick copper.
- B—1 3/8" minimum to rear wall from edge of cooktop.
- C—5 7/8" minimum to left side wall from edge of cooktop.
- D—5 7/8" minimum to right side wall from edge of cooktop.
- E—2 1/2" minimum front dimension to front of countertop.

**Minimum Clearances to Combustible Surfaces**  
(All dimensions are for cooktop installed with controls on the right side.)



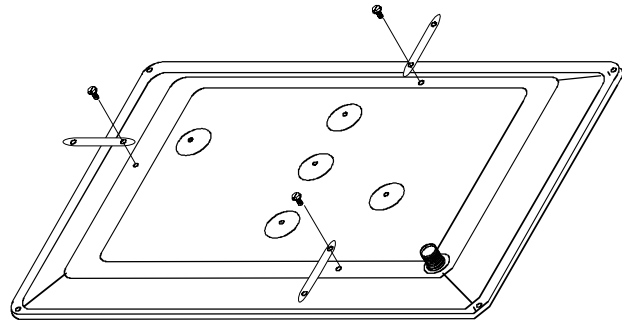
A—Minimum of 6 1/4" must separate side flanges of cooktops installed side by side.

**Cooktops Installed Side by Side**

**Securing Cooktop to Countertop**

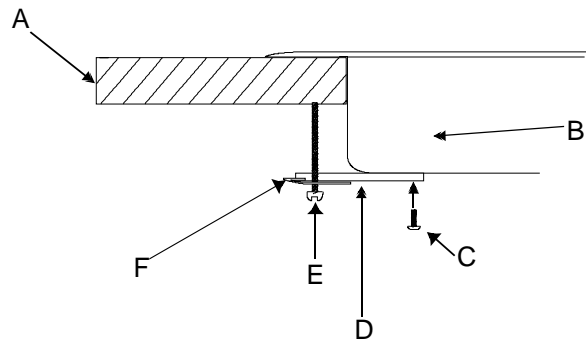
Mounting brackets enclosed in packet are to be attached to bottom of cooktop. Brackets will be used to secure cooktop to countertop.

1. Insert cooktop in countertop cutout.
2. Locate 3 screw holes for mounting brackets on the bottom of burner box as shown below.



Mounting Brackets

3. Secure mounting brackets to burner box with mounting bracket screws provided.
  - Flat side of bracket mounts against bottom of burner box.
  - Tinnerman nut extends beyond burner box.
  - Do not overtighten mounting bracket screws.
4. Install 3 adjusting screws into tinnerman nuts. Using blade screwdriver, tighten each adjusting screw so cooktop is secure against the countertop.



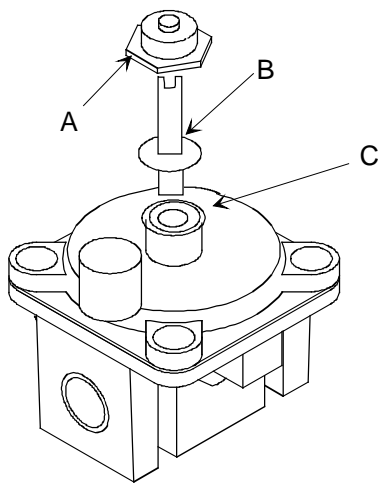
- A—Countertop
- B—Burner box
- C—Mounting bracket screw
- D—Mounting bracket
- E—Adjusting screw
- F—Tinnerman nut

**Securing Cooktop to Countertop**

## Converting Type 1 Pressure Regulator for Use with LP/Propane

This cooktop arrives from factory adjusted for use with natural gas. If using LP/propane gas, cooktop must be converted.

1. Remove pressure regulator cap using  $\frac{5}{8}$ " wrench.
2. Remove plastic insert from pressure regulator cap.
  - Plastic insert fits tightly in cap.
3. Reverse plastic insert and carefully push plastic insert firmly into hole in pressure regulator cap.
  - Insert must show "LPG10" or "LP10".
4. Place pressure regulator cap on pressure regulator and tighten.
  - Insert should not disturb spring in body of regulator.

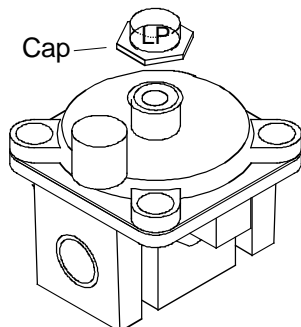


A—Cap  
B—Plastic Insert (LP setting)  
C—Spring Location

Type 1 Pressure Regulator

## Converting Type 2 Pressure Regulator for Use with LP/Propane

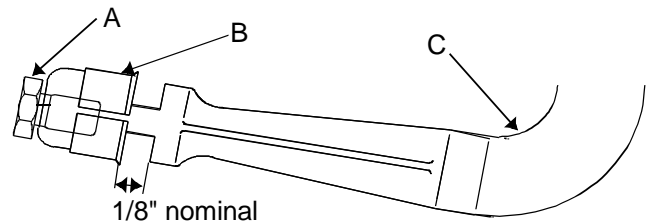
1. Remove pressure regulator cap using wrench.
2. Reverse pressure regulator cap.
  - Cap must show "LP".
3. Place pressure regulator cap on pressure regulator and tighten.



Type 2 Pressure Regulator

## Converting Burners for Use with LP/Propane

1. Remove control knobs, grates, caps, and burner bowls.
2. Remove burners by removing burner screw with phillips screwdriver. Unplug burners from burner wires.
3. Lift maintop off burner box to expose air shutters.
  - Orifice hoods will be visible.



A—Orifice Hood  
B—Air Shutter  
C—Venturi Tube

Converting Burners for Use with LP/Propane

4. Turn orifice hoods clockwise approximately  $1\frac{1}{2}$  to 2 turns (close) until snug against pin.
  - Do not overtighten hoods to avoid damaging hoods.
5. Reassemble cooktop.
6. Adjust burner flame if necessary.
  - See "Adjusting Surface Burner Flame" section.

## Converting Type 1 Pressure Regulator for Use with Natural Gas

1. Remove pressure regulator cap using a  $\frac{5}{8}$ " wrench.
2. Remove plastic insert from pressure regulator cap.
  - Plastic insert fits tightly in cap.
3. Reverse plastic insert and carefully push plastic insert firmly into hole in pressure regulator cap.
  - Insert must show "NAT" or be blank.
4. Place pressure regulator cap on pressure regulator and tighten.
  - Insert should not disturb spring in body of regulator.

## Converting Type 2 Pressure Regulator for Use with Natural Gas

1. Remove pressure regulator cap using  $\frac{5}{8}$ " wrench.
2. Reverse pressure regulator cap.
  - Cap must show "NAT" or be blank.
3. Place pressure regulator cap on pressure regulator and tighten.

## Converting Burners for Use with Natural Gas

1. Remove control knobs, grates, caps, and burner bowls.
2. Remove burners by removing burner screw with Phillips screwdriver. Unplug burners from burner wires.
3. Lift maintop off burner box to expose air shutters.
4. Turn orifice hoods counterclockwise (open) approximately 1 1/2 to 2 turns.
5. Reassemble cooktop.
6. Adjust burner flame if necessary.
  - See "Adjusting Surface Burner Flame" section.

## Gas Supply Pressure

### CAUTION

To avoid property damage, maximum gas supply pressure must not exceed 14" WCP.

- Appliance and individual shutoff valve must be disconnected from the gas supply piping system during any pressure testing of that system at test pressures in excess of 1/2 psig (3.5kPa)(14" WCP).
- Appliance must be isolated from gas supply piping system by closing manual shutoff valve during any pressure testing of the gas supply piping system at test pressures equal to or less than 1/2 psig (3.5kPa) (14" WCP).
- Gas supply pressure for checking regulator setting must be at least 1" WCP above manifold pressure shown on rating label.
- Must use pressure regulator supplied with cooktop.

## Gas Connection

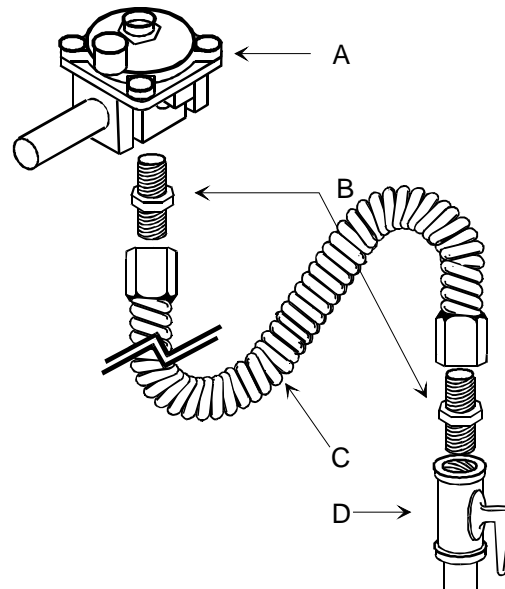
Connect gas supply to regulator using hard pipe or a flexible connector. Pressure regulator supplied with this appliance has a 1/2" NPT female connection.

- A manual shutoff, not supplied with cooktop, must be installed in an accessible location outside of cooktop.
- Use joint compound that is resistant to action of propane gas on all male pipe threads.
- Use supplied pressure regulator only.
- Do not overtighten gas fitting when attaching to pressure regulator. Overtightening may crack regulator.
- Support pressure regulator with wrench when installing gas fitting.

### WARNING

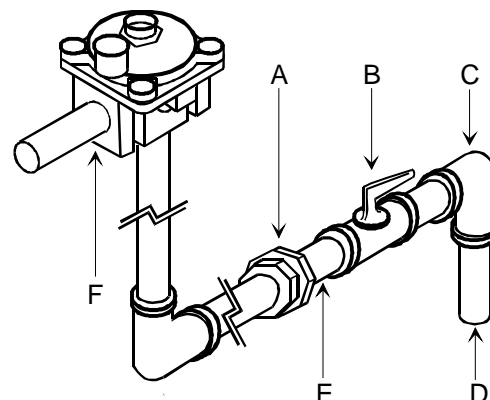
To avoid property damage or personal injury, only use a new flexible connector that is AGA/CGA design certified.

- Do not use an old connector.
- Do not reuse a connector after moving appliance.



A—Regulator  
B—Adaptor  
C—Flexible Connector  
D—Manual Shut Off Valve

### Flexible Connection



A—Union  
B—Manual Shut Off Valve  
C—Reducing Elbow (3/4-inch to 1/2-inch)  
D—3/4-inch Stub  
E—1/2-inch Nipple  
F—Regulator

### Hardpipe Connection



## Testing for Gas Leaks

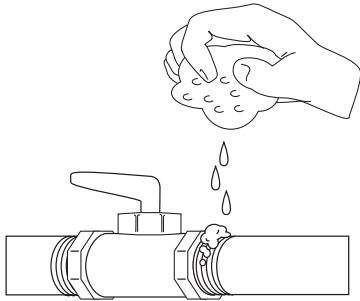


### WARNING

To avoid property damage or serious personal injury, never use a lighted match to test for gas leaks.

After final gas connection is made, test all connections in gas supply piping and cooktop for gas leaks.

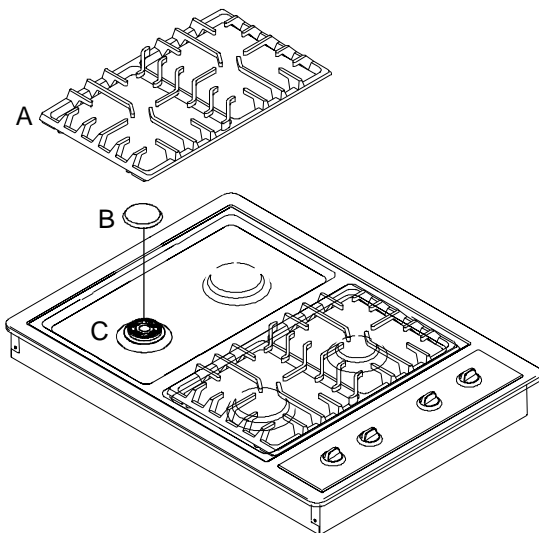
1. Place soap suds on connection.
  - Bubbles appear if leak is present.



### Testing for Gas Leaks

2. Tighten joint if leak is at factory fitting.
  - If leak is not at factory fitting, unscrew, apply more joint compound, and tighten to correct leak.
3. Retest connection for leak after tightening.
  - Retest any connections that were disturbed.

## Place Grates and Burner Caps



- A—Burner grate  
B—Burner cap  
C—Burner base

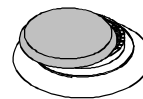
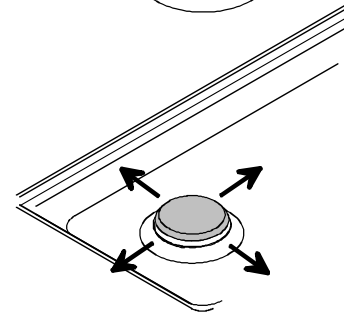
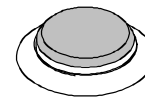
### Place Grates and Burner Caps

To make sure cap is properly aligned and leveled, move burner cap around on burner base. Pegs in the burner base fit into recess in underside of burner cap. Burner cap must be correctly seated on burner base for proper operation of burner.

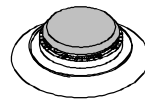
Make sure proper cap size is on each burner base. Burner does not burn properly if wrong size burner cap is placed on burner base.

Turn on burners to check for proper operation. See *Operating Surface Burners* section for burner operating instructions.

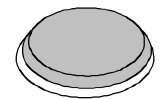
### Correct



Not centered



Too small



Too large

### Burner Caps

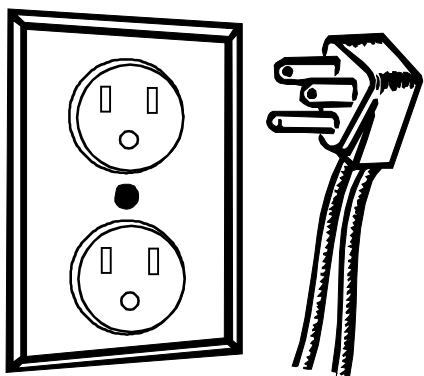
## Electrical Installation Requirements

Installation of this product must conform with local codes or in absence of local codes, with current Canadian Gas Installation Code CAN/CGA-B149.2. If an external electrical source is used when appliance is installed, it must be electrically grounded in accordance with local codes or, in absence of local codes, with current National Electrical Code ANSI NFPA 70, or CSA Standard C22.1, Canadian Electrical Code, Part 1.

All electrical connections are to be made in accordance with CSA Standards Z240.6.1 electrical requirements for mobile homes.

# Operation

Use a dedicated 120 volt, 60 hertz, 3-prong receptacle protected by a 15 amp circuit breaker or time delay fuse. A qualified electrician should confirm the outlet is properly grounded. Cooktop includes 4-foot power cord attached to bottom of cooktop.



Grounded Plug and Receptacle

If a 2-prong outlet is encountered, cooktop owner must replace outlet before using cooktop. Do not cut off cord or remove grounding prong.

When installed in mobile housing, installation is to be in accordance with CSA standard Z241.1 gas equipped mobile housing. All electrical connections are to be made in accordance with CSA standards Z240.6.1 electrical requirements for mobile homes.

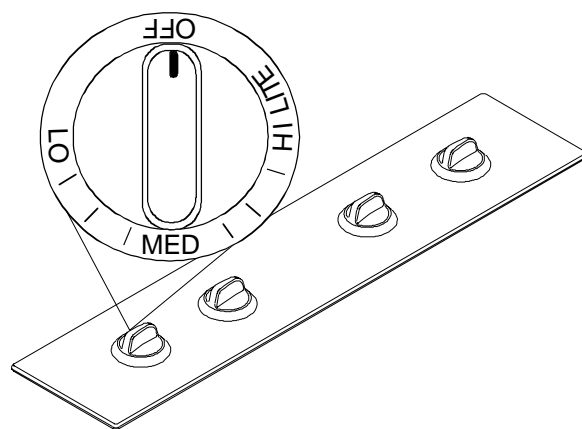
The installation of appliances designed for manufactured (mobile) home installation must conform with Manufactured Home Construction and Safety Standard, Title 24 CFR, Part 3280, or when such standard is not applicable, the Standard for Manufactured Home Installation, ANSI225.1/NFPA 501A-Latest Edition, or with local codes or the standard CAN/CSA-z240MH, "Mobile Homes", and with local codes where applicable.

The installation of appliances is to be in accordance with CAN1-B149.1 or B149.2 installation code for gas burning appliances and equipment and/or local codes. Part 1 and/or local codes.

All electrical connections are to be made in accordance with CSA C22.1 Canadian Electrical Code.

## Operating Burners

1. Push and turn burner control knob to "LITE" position.
  - Burner sparks until turned from "LITE".
2. Turn burner control knob to desired setting.
3. Turn burner control knob to "OFF" position when finished.
  - Refer to cooktop rating plate for individual burner ratings.



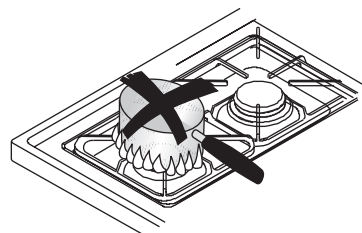
Surface Burner Controls

## Delayed Ignition

Burner should ignite within 4 seconds. If burner does not ignite within 4 seconds turn control knob to *OFF* position and follow directions in "Placing Grates and Burner Caps" section. Try burner again. If burner still does not ignite in 4 seconds, contact an authorized servicer.

## Burner Flame Size

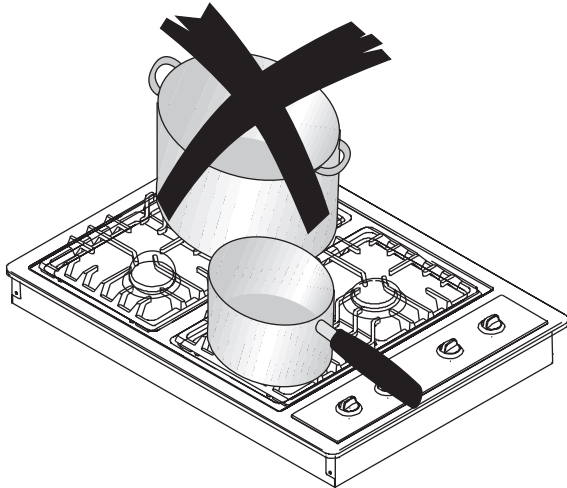
- While turning the burner control knob, watch the burner flame.
- Flame size should match the size of the pan. Do not allow the flame to extend up the sides of the pan. Flames that extend up the sides of the pan can ignite clothing, make handle hot, or burn.



Burner Flame Size

## Cooking Utensils

- Use proper pan size. Do not use a pan that has a smaller bottom than surface burner. Do not use utensils that overhang grate by more than 1 inch.



### Proper Pan Size

- Use care when using glazed cooking utensils. Some glass, earthenware, or other glazed utensils break due to sudden temperature changes.
- Select utensils without broken or loose handles.
- Handles should not be heavy enough to tilt pan.
- Do not use stove top grills on your range. Stove top grills cause incomplete combustion and can create levels of carbon monoxide above allowable standards.
- Do not use a wok with a ring stand. Use flat bottom wok.

Utensil Material Characteristic		
Type	Temperature Response	Uses
Aluminum	Heats and cools quickly	Frying, braising, roasting
Cast Iron	Heats and cools slowly	Low heat cooking, frying
Copper Tin Lined	Heats and cools quickly	Gourmet cooking, wine sauces, egg dishes
Enamelware	Depends on base metal	Low heat cooking
Ceramic (Glass)	Heats and cools slowly	Low heat cooking
Stainless Steel	Heats and cools at moderate rate	Soups, sauces, vegetables, general cooking

To avoid pan wobbling, use a pan with a flat bottom. Determine if pan has a flat bottom.

1. Rotate a ruler along bottom of pan. If pan is not flat, gaps between bottom of pan and edge of ruler occur.
2. A small groove or mark on a pan does not effect cooking times. However, if a pan has a gap, formed rings, or an uneven bottom, it does not cook efficiently and in some cases may not boil liquid.

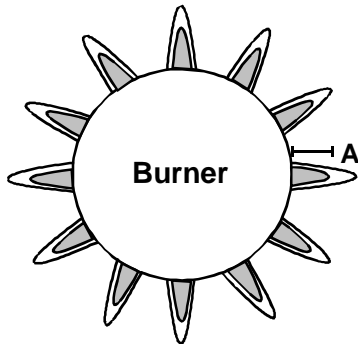
### Flat Pan

### Wok

## Adjusting Surface Burner Flame

Properly adjusted surface burner flames are clean and blue with a distinct inner cone approximately  $\frac{1}{4}$  inch to  $\frac{1}{2}$  inch long. See "Operating Burners" section for burner operating instructions.

- If burner flame is blowing or noisy, reduce airflow to burner by adjusting air shutter.
- If burner flame is yellow and does not hold its shape, increase airflow to burner by adjusting air shutter.

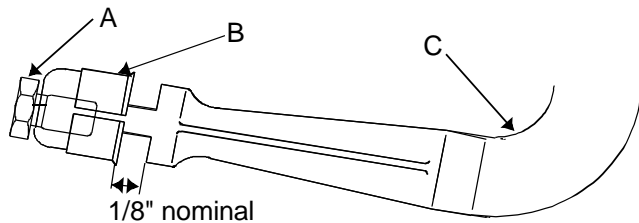


A— $\frac{1}{4}$ " to  $\frac{1}{2}$ " inner cone length

Surface Burner Flame

## Adjusting Air Shutter

1. Remove control knobs, grates, caps, and burner bowls.
2. Remove burners by removing burner screw with phillips screwdriver. Unplug burners from burner wires.
3. Lift top up off burner box to expose air shutters.
4. Slide air shutter open or closed depending on appearance of burner flame.
  - If flame is yellow and does not hold its shape, open air shutter.
  - If flame is blowing or noisy, close air shutter.



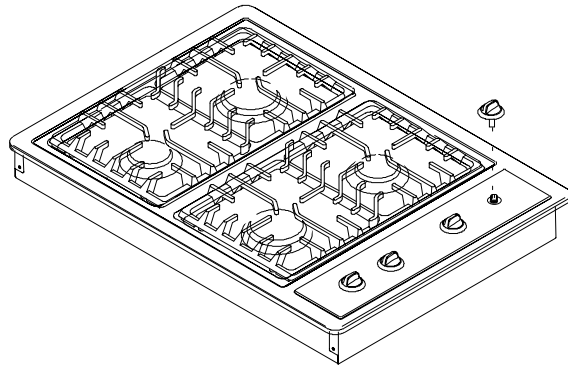
A—Orifice Hood  
B—Air Shutter  
C—Venturi Tube

Air Shutter

5. Reassemble.
6. After adjustment retest burner flame.

## Adjusting Surface Burner Low Flame Size

1. Push and turn burner control knob to "LITE" position.
  - Burner sparks until turned from "LITE".
2. Set burner control knob to low setting.
3. Remove burner control knob.
4. While holding valve stem stationary, turn screw in center of burner control stem until flame is adjusted.
  - Use small blade screwdriver.



Adjusting Surface Burner Low Flame Size

5. Replace burner control knob.
6. Turn surface burner control on and off to test burner flame.
7. If flame is adjusted too low, flame may be easily extinguished. Flame may be extinguished by drafts, door opening or closing, heating and cooling vents, ceiling fans, etc.

## Operating Surface Burner during a Power Failure

Although the system that lights the burners is electric, surface burners can be ignited during a power failure. Never attempt to light bake or broil burners during power failure.

1. Hold ignited match at base of desired burner.
2. Push in burner control knob and turn to *LITE* position.
3. After gas ignites, remove match from burner and turn burner control knob to desired setting.

## Cleaning Cooktop, Burners, and Grates

Clean cooktop, caps, and grates using damp cloth and soapy water. If necessary, clean with nonabrasive cleaners or pads. Dry thoroughly when finished to avoid rusting.

- Do not use harsh powders, oven cleaners, scouring pads, or steel wool.

# Warranty

## **Amana**<sup>®</sup> COOKING PRODUCTS (excluding wall ovens)

### **FULL ONE YEAR WARRANTY LIMITED SECOND YEAR WARRANTY ON ALL PARTS LIMITED THIRD THRU FIFTH YEAR WARRANTY ON GLASS/CERAMIC TOP, ELECTRIC SURFACE ELEMENTS, OR GAS SURFACE BURNERS**

#### **FIRST YEAR**

Amana Appliances will repair or replace, including related labor and travel, any part (f.o.b. Amana, Iowa) which proves to be defective as to workmanship or materials.

#### **SECOND YEAR**

Amana Appliances will provide replacement part, part only (f.o.b. Amana, Iowa), which proves defective as to workmanship or materials.

#### **THIRD THRU FIFTH YEAR**

Amana Appliances will provide replacement glass/ceramic cooktop, part only (f.o.b. Amana, Iowa), which proves defective as to workmanship or materials.

#### **THIRD THRU FIFTH YEAR**

Amana Appliances will provide replacement electric surface elements or gas surface burners, part only (f.o.b. Amana, Iowa), which proves defective as to workmanship or materials.

#### **OWNER'S RESPONSIBILITIES:**

- Provide any defective part to an authorized Amana servicer.
- Provide proof of purchase.
- Provide normal care and maintenance, including cleaning as instructed in owner's manual.
- Replace owner replaceable items where directions appear in the owner's manual.
- Make product accessible for service.
- Pay for premium service costs for service outside servicer's normal business hours.
- Pay for service calls related to product installation and customer education.
- Pay for servicer's labor and travel expenses under limited warranty provisions.

#### **ITEMS NOT COVERED:**

- Normal product maintenance and cleaning.
- Light bulbs.
- Damages which occur in shipment.
- General rebuilding or refurbishing that is not a legitimate warranty repair.
- Failures caused by:
  - Unauthorized service.
  - Grease or other material buildup due to improper cleaning or maintenance.
  - Accidental or intentional damage.
  - Connection to an improper gas or power supply.
  - Acts of God.
  - Use of improper pans, containers, or accessories that cause damage to the product.

#### **WARRANTY LIMITATIONS:**

- Begins at date of original purchase.
- Product used on a commercial, rental, or leased basis are not covered by this warranty.
- Applies to product used within the United States or in Canada if product has appropriate agency listing when shipped from the factory.
- Service must be performed by an authorized Amana servicer.
- Adjustments covered during first year only.

#### **WARRANTY IS VOID IF:**

- Serial plate is defaced.
- Product is altered by user.
- Product is not installed or used according to manufacturer's instructions.

#### **IN NO EVENT SHALL AMANA APPLIANCES BE LIABLE FOR INCIDENTAL OR CONSEQUENTIAL DAMAGES\***

\*This warranty gives you specific legal rights and you may have others which vary from state to state. For example, some states do not allow the exclusion or limitation of incidental or consequential damages so this exclusion may not apply to you.

For answers to questions regarding the above or to locate an authorized Amana<sup>®</sup> servicer, contact:

Amana Appliances  
2800 220th Trail  
PO Box 8901  
Amana, Iowa 52204-0001  
USA  
1-800-843-0304 inside U.S.A.  
1-319-622-5511 outside U.S.A.

# Table des matières

Identification du modèle .....	14
Pièces et accessoires .....	14
Service après-vente .....	14
Renseignements de sécurité importants .....	15
TOUS APPAREILS .....	15
BRÛLEURS .....	15
Allumage retardé .....	16
HOTTE .....	16
En cas d'incendie .....	16
Précautions .....	16
Mise en service .....	17
Déballage de la plaque de cuisson .....	17
Dimensions de la découpe .....	17
Espaces de dégagement minimum par rapport aux surfaces inflammables .....	18
Installation de la surface de cuisson sur le comptoir .....	18
Conversion d'un détendeur de type 1 au gaz propane/GPL .....	19
Conversion d'un détendeur de type 2 au gaz propane/GPL .....	19
Conversion des brûleurs au gaz propane/GPL .....	20
Conversion d'un détendeur de type 1 au gaz naturel .....	20
Conversion d'un détendeur de type 2 au gaz naturel .....	20
Conversion des brûleurs au gaz naturel .....	20
Pression de l'alimentation en gaz .....	20
Raccordement au gaz .....	21
Vérification des fuites de gaz .....	22
Remise en pace des chapeaux des brûleurs .....	22
Alimentation électrique .....	22
Fonctionnement .....	23
Fonctionnement des brûleurs .....	23
Plats de cuisson .....	24
Réglage de l'obturateur .....	25
Réglage de la hauteur de la flamme à feu doux ....	25
Allumage des brûleurs en cas de panne de secteur .....	25
Nettoyage de la plaque de cuisson, des brûleurs et des grilles .....	25
Garantie .....	26

## Identification du modèle

Remplir la carte d'enregistrement jointe et la retourner dans les plus brefs délais. Au cas où cette carte manquerait, appeler le service à la clientèle ( Consumer Affairs Department ) au 1-800-843-0304 pour les États-Unis ou au 1-319-622-5511 en dehors des États-Unis. Lors de toute communication avec Amana, fournir les renseignements concernant l'appareil. Ces renseignements apparaissent sur la plaque nominale située sur le bas de la plaque de cuisson. Noter les renseignements suivants :

Numéro du modèle : \_\_\_\_\_

Numéro de fabrication : \_\_\_\_\_

Numéro de série : \_\_\_\_\_

Date d'achat : \_\_\_\_\_

Nom et adresse du détaillant : \_\_\_\_\_

## Pièces et accessoires

Des pièces de rechange et accessoires supplémentaires (ex., clayettes de réfrigérateur, égouttoirs ou modules de plaque de cuisson) peuvent être commandés par téléphone. Pour obtenir un accessoire Amana, appeler le 1-800-843-0304 depuis les États-Unis et le 1-319-622-5511 de l'étranger.

## Service après-vente

Garder une copie de la facture pour référence ultérieure ou en cas d'utilisation de la garantie. Pour toutes questions ou pour localiser un réparateur agréé, appeler le 1-800-NAT-LSVC (1-800-628-5782) pour les États-Unis ou le 1-319-622-5511 hors des États-Unis. Toute prestation de garantie doit être effectuée par un réparateur agréé. Amana recommande également de contacter un réparateur agréé même lorsque la garantie vient à expiration.

## Avant d'appeler le service de dépannage

Relire le Manuel de l'utilisateur avant d'appeler le service de dépannage. Si le problème n'est pas dû à un défaut de matériaux ou de main-d'oeuvre ou si la pièce peut être remplacée par l'utilisateur, le dépannage peut donner lieu à une facturation, même si l'appareil est encore sous garantie.

- S'il sort du gaz du brûleur mais que celui-ci ne produit pas de déclics, vérifier l'alimentation en électricité.
- Si le brûleur produit une flamme jaune plus grande que la normale, vérifier si la plaque de cuisson doit être convertie au gaz GPL ou au gaz naturel.
- Si le brûleur produit une flamme faible ou bruyante, voir sous « Réglage de la flamme des brûleurs ».

# RENSEIGNEMENTS DE SÉCURITÉ IMPORTANTS



## MISE EN GARDE

Cette plaque de cuisson contient ou produit une ou plusieurs substances chimiques qui peuvent provoquer le décès ou des maladies graves, ou qui sont reconnus dans l'état de Californie comme pouvant provoquer le cancer, des malformations congénitales ou d'autres maladies de l'appareil reproducteur. Afin de réduire les risques présentés par les substances présentes dans le gaz ou les produits de combustion, veiller à ce que cette plaque de cuisson soit mise en service, utilisée et entretenue suivant les indications de ce manuel.



## MISE EN GARDE

Pour éviter tout risque d'électrocution, de blessure, voire de décès, veiller à ce que la plaque de cuisson soit correctement mise à la terre et toujours la débrancher du secteur électrique au niveau du compteur avant tout dépannage.



## ATTENTION

Ne pas bloquer les conduits d'air nécessaires à l'aération et à la combustion.



## MISE EN GARDE

Afin d'éviter décès, blessures ou dégâts matériels, suivre attentivement les instructions contenues dans ce manuel.

Ne pas entreposer ni utiliser d'essence ni d'autres liquides ou gaz inflammables à proximité de cet appareil ou de tout autre appareil électro-ménager.

### QUE FAIRE SI ON SENT UNE ODEUR DE GAZ

- Ne pas allumer d'appareil.
- Ne pas actionner d'interrupteur électrique; ne pas utiliser le téléphone de votre logement.
- Appeler immédiatement le fournisseur de gaz en lui téléphonant de chez un voisin. Suivre ses instructions.
- S'il n'est pas possible de joindre le fournisseur de gaz, appeler les pompiers.

La mise en service et les réparations doivent toujours être effectuées par un installateur ou un service de dépannage agréé ou encore un fournisseur de gaz.

## TOUS APPAREILS

1. Mise en service correcte : veiller à ce que l'appareil soit correctement mis en service et relié à la terre par un technicien qualifié.
2. Ne jamais utiliser l'appareil comme appareil de chauffage.
3. Ne pas laisser les enfants seuls : ne pas laisser les enfants seuls ou sans surveillance dans une pièce où l'appareil est en service. Ne jamais leur permettre de s'asseoir ni de se tenir debout sur quelque partie de l'appareil que ce soit.
4. Porter des vêtements protecteurs : ne jamais porter de vêtements amples ou à manches pendantes lors de l'utilisation de l'appareil.
5. Réparations par l'utilisateur : ne pas réparer ni changer de pièces autres que celles indiquées spécifiquement dans ce manuel. Toute autre réparation doit être effectuée par un technicien qualifié.
6. Rangement sur l'appareil ou dans le four : ne jamais ranger de produits inflammables dans le four ni à proximité des brûleurs.
7. Ne pas utiliser d'eau pour éteindre des corps gras en combustion. Éteindre l'incendie ou les flammes ou utiliser un extincteur à poudre chimique ou à mousse.
8. Utiliser des poignées sèches uniquement : une poignée humide ou mouillée peut provoquer des brûlures par la vapeur. Ne pas permettre le contact de la poignée avec les brûleurs. Ne pas utiliser de serviette ni de linge épais.

## BRÛLEURS

1. Utiliser des casseroles de dimensions appropriées : cet appareil comporte un ou plusieurs brûleurs de différentes dimensions. Sélectionner des récipients à fond plat assez grands pour que la flamme ne dépasse pas. Un récipient trop petit expose directement une rubrique de la flamme et risque de faire enflammer les vêtements. Par ailleurs, un récipient de dimensions appropriées utilise moins de gaz pour de meilleurs résultats.
2. Ne jamais laisser les brûleurs sans surveillance lorsqu'ils sont sur un réglage élevé. Le liquide qui déborde peut produire de la fumée ou s'enflammer.
3. Revêtement de protection : ne pas utiliser de papier aluminium pour recouvrir le fond du four, sauf de la façon conseillée dans les manuels. L'installation inadéquate de ces garnitures peut occasionner un risque de choc électrique ou d'incendie.

- Articles vernissés : seuls certains types de verre, de céramique, de grès ou autres récipients vernissés conviennent à la cuisson sur les brûleurs sans risque d'éclater en raison de changements brusques de température.
- Toujours tourner les poignées vers l'intérieur et ne pas les placer de façon à ce qu'elles soient au-dessus d'autres brûleurs: pour éviter de se brûler, de mettre feu à des substances inflammables ou de renverser le contenu de récipients suite à un contact accidentel, les poignées doivent être tournées à l'intérieur et ne pas être placées au-dessus d'autres brûleurs.

## Allumage retardé

### Brûleurs

Le brûleur doit s'allumer dans un délai de 4 secondes. Si le brûleur ne s'allume pas dans un délai de 4 secondes, tourner le bouton de commande à la position « OFF » (arrêt) et suivre les directives des rubriques « Placement des grilles et des couvre-brûleurs » (Figure 16) et « Avant d'appeler le service de dépannage ». Essayer d'allumer le brûleur. Si le brûleur ne s'allume toujours pas, appeler un prestataire de service après-vente agréé.

## HOTTE

- Nettoyer fréquemment la hotte : ne pas laisser de graisse s'accumuler sur la hotte ni sur le filtre.
- Avant de faire flamber de la nourriture sous la hotte, éteindre le ventilateur. S'il fonctionne, il pourrait propager la flamme.

## En cas d'incendie

Des incendies peuvent se produire suite à une cuisson excessive ou en raison d'un excès de graisse. Bien qu'un incendie soit peu probable, procéder comme suit s'il se produit :

### Incendie au niveau d'un brûleur

- Éteindre la flamme à l'aide d'un couvercle ne pouvant pas s'enflammer ou de bicarbonate de soude, ou encore utiliser un extincteur de type ABC ou BC. Ne pas utiliser d'eau, ni de sel, ni de farine.
- Dès que cela peut être fait sans danger, tourner le bouton correspondant au brûleur sur « OFF ».
  - Pour plus de sécurité, couper l'alimentation en gaz, ainsi que celle en électricité au niveau du compteur ou du fusible.

### Incendie dans le four

- En cas de présence de fumée provenant du four, ne pas ouvrir la porte du four.
- Éteindre le four (bouton sur *OFF*).
- Pour plus de sécurité, couper l'alimentation en gaz, ainsi que celle en électricité au niveau du compteur ou du fusible.
- Mettre le ventilateur de la hotte en marche pour éliminer la fumée.
- Laisser la nourriture ou la graisse finir de brûler dans le four.
- Si la fumée et l'incendie persistent, appeler les pompiers.
- En cas de dégâts au niveau des composants, appeler le service de dépannage avant d'utiliser la cuisinière.

## Précautions

- Ne pas cuire de la nourriture sans récipient, directement sur le dessus de la cuisinière.
- Ne pas mélanger les produits d'entretien ménager. Leur interaction peut avoir des résultats nocifs, voire dangereux.
- Ne pas mettre d'articles en plastique sur des surfaces de cuisson encore chaudes. Ils pourraient coller et fondre.
- Ne pas faire glisser des objets métalliques présentant des aspérités sur le dessus de la cuisinière. Ils pourraient le rayer ou laisser des traces métalliques.
- Ne pas nettoyer le dessus de la cuisinière avec une éponge ou une lavette humide lorsque cette surface est chaude. La vapeur se dégageant de l'éponge ou de la lavette peut brûler.
- Ne pas faire chauffer de graisse sans rester à proximité. La graisse excessivement chaude peut s'enflammer en débordant sur des surfaces brûlantes.
- Ne pas laisser une casserole bouillir jusqu'à ce qu'il ne reste plus de liquide car elle risque de se trouver abîmée, ainsi que la surface de cuisson.
- Ne pas utiliser le dessus de la cuisinière comme une planche à découper.



# Mise en service

## Déballage de la plaque de cuisson

- Enlever tous matériaux d'emballage et imprimés emballés avec la plaque de cuisson.
- Glisser la plaque de cuisson de la boîte.
- Pour éviter tous dommages, ne pas faire glisser la plaque de cuisson sur le comptoir.
- Enlever les grilles, les grilles des brûleurs, les cuvettes des brûleurs et le détendeur de la boîte.

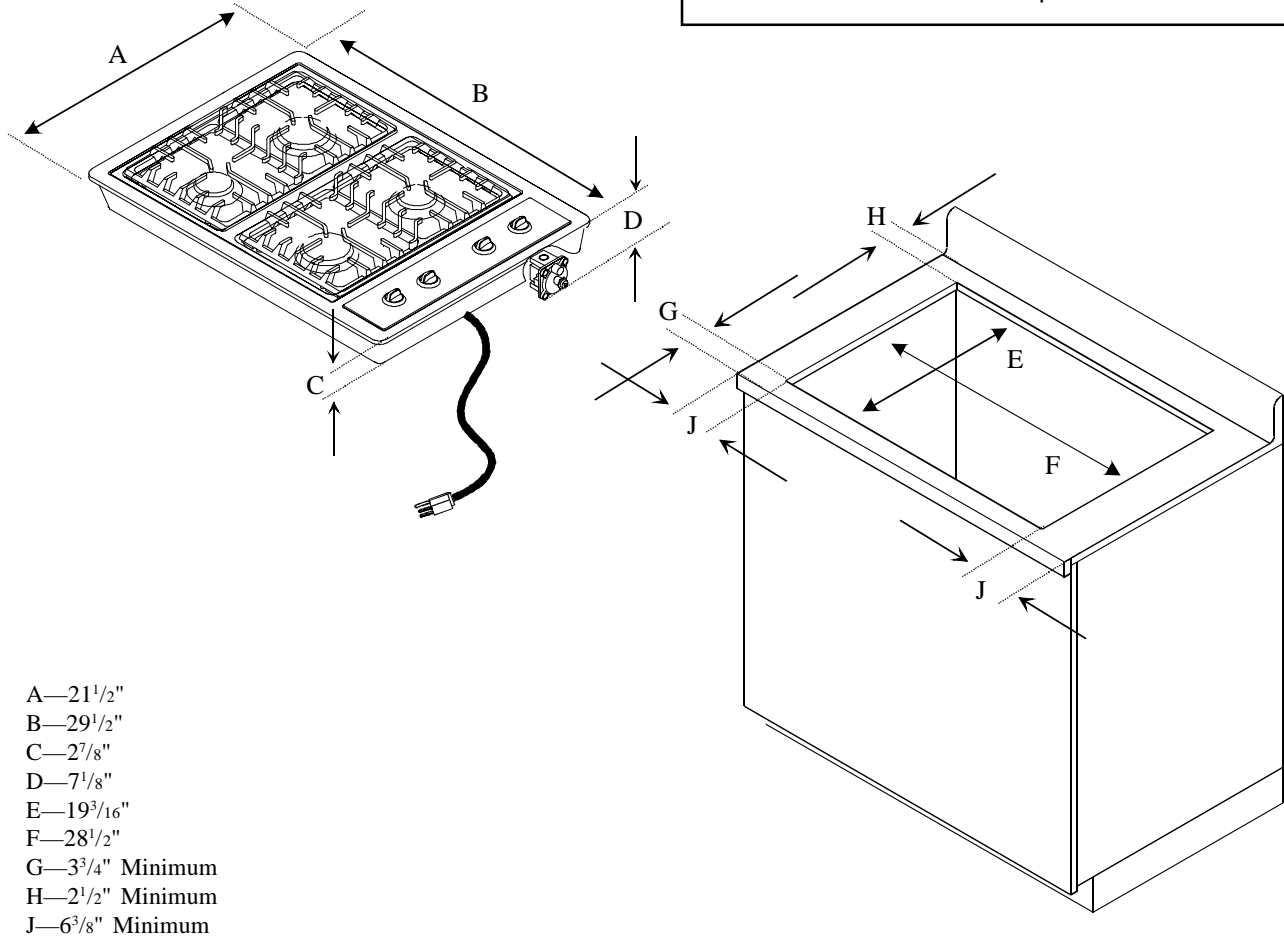
## Dimensions de la découpe

Préparer le comptoir conformément aux dimensions indiquées dans le diagramme. Selon les dimensions, laisser un espace de dégagement variant entre  $\frac{1}{16}$  et 0 po. L'espace sous la surface de cuisson doit être facile d'accès pour régler le détendeur de gaz.



### MISE EN GARDE

Pour éviter les blessures et les dégâts matériels, observer les indications ci-après.

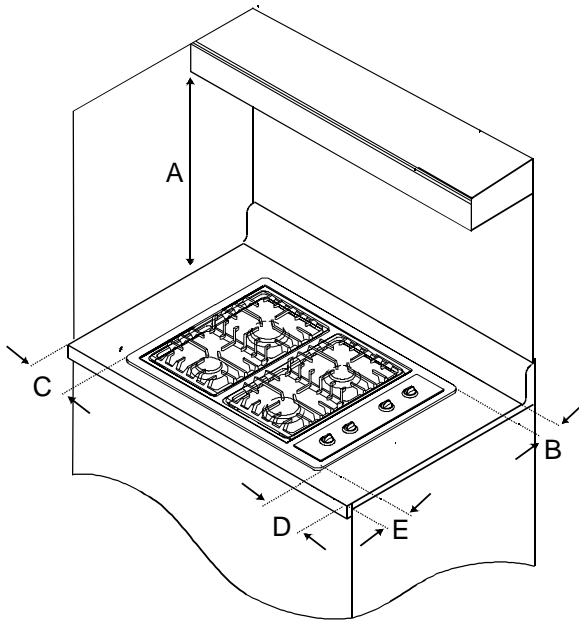


- A— $21\frac{1}{2}$ "
- B— $29\frac{1}{2}$ "
- C— $2\frac{7}{8}$ "
- D— $7\frac{1}{8}$ "
- E— $19\frac{3}{16}$ "
- F— $28\frac{1}{2}$ "
- G— $3\frac{3}{4}$ " Minimum
- H— $2\frac{1}{2}$ " Minimum
- J— $6\frac{3}{8}$ " Minimum

Dimensions de plaque de cuisson

## Espaces de dégagement minimum par rapport aux surfaces inflammables

- Les dimensions indiquées correspondent aux plaques de cuisson dont les commandes se trouvent à droite de la plaque.



A—30 po (75,9 cm) entre le dessus de la surface de cuisson et le fond d'une armoire en bois ou en métal sans protection contre les incendies au-dessus de la plaque de cuisson. 24 po (60,7 cm) entre la surface de cuisson et une armoire en bois ou en métal présentant une protection contre les incendies placée au-dessus de la cuisinière. Le fond de l'armoire doit être protégé par du carton ignifuge d'un minimum de 1/4 po (0,6 cm) d'épaisseur couvert, au minimum, de tôle d'acier n° 28 MSG, d'acier inoxydable de 0,015 po (0,04 cm) d'épaisseur, d'aluminium de 0,024 po (0,06 cm) d'épaisseur ou de cuivre de 0,020 po (0,05 cm) d'épaisseur.

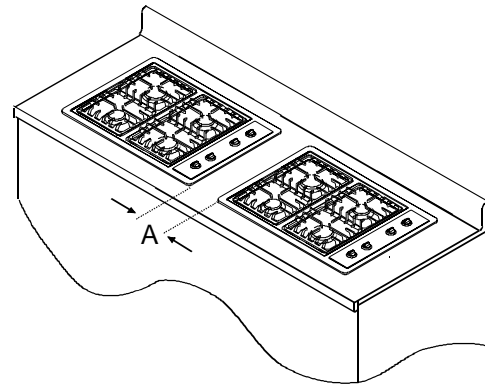
B—1,375 po (3,5 cm) minimum entre la paroi arrière et le rebord de la plaque de cuisson.

C—5,875 po (14,9 cm) minimum entre la paroi gauche et le rebord de la plaque de cuisson.

D—5,875 po (14,9 cm) minimum entre la paroi droite et le rebord de la plaque de cuisson.

E—2,5 po (6,35 cm) minimum entre la dimension avant et le devant du comptoir.

Espaces de dégagement minimum par rapport aux surfaces inflammables



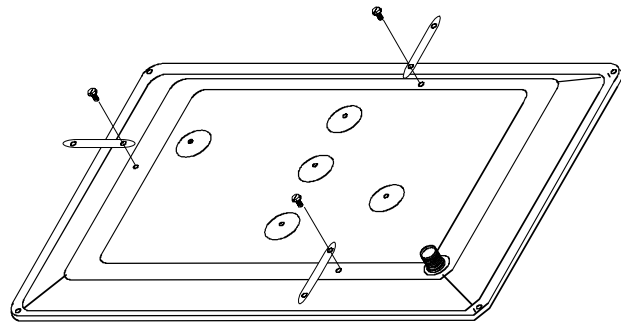
A—Un minimum de 6 1/4 po doit séparer les rebords latéraux de plaques de cuisson juxtaposées.

Rebords latéraux de plaques de cuisson juxtaposées

## Installation de la surface de cuisson sur le comptoir

Les supports de fixation compris dans cet emballage doivent être installés sur le dessous de la plaque de cuisson. Les supports seront utilisés pour fixer la plaque de cuisson au comptoir.

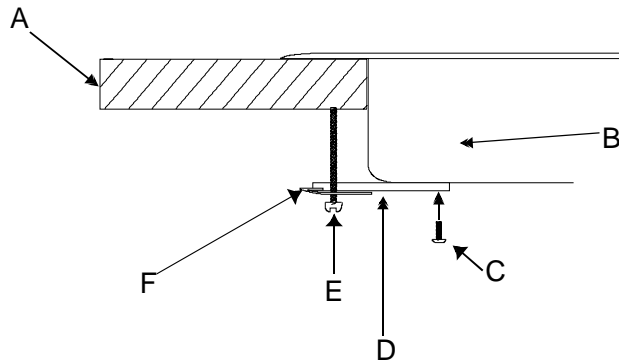
1. Insérer la plaque de cuisson dans la découpe du comptoir.
2. Localiser 3 trous de vis pour supports de fixation sur le dessous du boîtier du brûleur tel qu'illustré ci-dessous.



Les supports de fixation

3. Installer les supports de fixation sur le boîtier du brûleur avec les vis des supports de fixation ci-incluses.
  - Le côté plat des supports de fixation doit être appuyé contre le dessous du boîtier du brûleur.
  - L'écrou Tinnerman dépasse le boîtier du brûleur.
  - Ne pas trop serrer les vis des supports de fixation.

- Poser 3 vis de réglage dans l'écrou Tinnerman.  
À l'aide d'un tournevis à lame, serrer chaque vis de réglage de façon à ce que la plaque de cuisson soit bien fixée au comptoir.



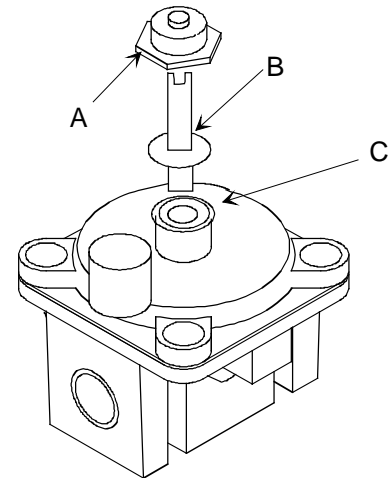
- A—Comptoir  
B—Boîtier du brûleur  
C—Vis de support de fixation  
D—Support de fixation  
E—Vis de réglage  
F—Écrou Tinnerman

Installation de la surface de cuisson sur le comptoir

### Conversion d'un détendeur de type 1 au gaz propane/GPL

Cette plaque de cuisson est réglée sur le gaz naturel en usine. Pour l'utiliser avec du gaz propane/GPL, il faut en faire la conversion.

- Enlever le capuchon du détendeur à l'aide d'une clé.
- Enlever le convertisseur en plastique du capuchon du détendeur.
  - Le convertisseur s'insère fortement dans le capuchon.
- Inverser le convertisseur et le pousser fermement dans l'orifice du capuchon.
  - Le convertisseur doit maintenant indiquer « LPG10 » ou « LP10 ».
- Placer le capuchon sur le détendeur et serrer.
  - Le convertisseur ne doit pas empêcher le libre jeu du ressort dans le détendeur.

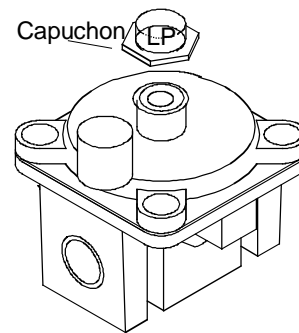


- A—Capuchon  
B—Convertisseur en plastique (GPL)  
C—Emplacement du ressort

Détendeur de type 1

### Conversion d'un détendeur de type 2 au gaz propane/GPL

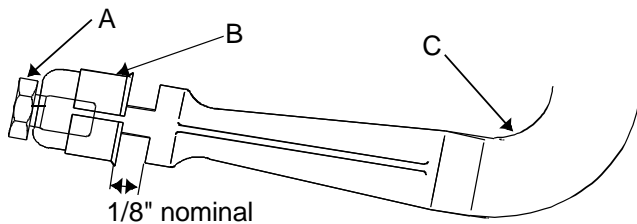
- Enlever le capuchon du détendeur à l'aide d'une clé.
- Inverser le capuchon.
  - Le capuchon doit maintenant indiquer « LP ».
- Mettre le capuchon sur le détendeur et serrer.



Détendeur de type 2

## Conversion des brûleurs au gaz propane/ GPL

1. Enlever les boutons de réglage, les grilles, les chapeaux et les cuvettes des brûleurs.
2. Enlever les brûleurs. Pour cela, dévisser la vis qui les maintient en place à l'aide d'un tournevis cruciforme. Débrancher les brûleurs de leurs fils électriques.
3. Soulever le dessus de la plaque de cuisson de façon à exposer les obturateurs d'air.
  - Les bagues de serrage sont maintenant visibles.



A—Bague de serrage  
B—Obturateur d'air  
C—Tube de venturi

### Conversion des brûleurs au gaz propane/GPL

4. Tourner les bagues de serrage d'environ 1,5 à 2 tours dans le sens des aiguilles d'une montre (les fermer) jusqu'à ce qu'elles reposent fermement contre le téton.
  - Ne pas trop serrer les bagues de serrage pour éviter de les endommager.
5. Remonter le dessus de la plaque de cuisson en place.
6. Ajuster la flamme du brûleur s'il y a lieu.
  - Voir sous *Réglage de la flamme des brûleurs*.

## Conversion d'un détendeur de type 1 au gaz naturel

1. Enlever le capuchon du détendeur à l'aide d'une clé de  $\frac{5}{8}$  pouce.
2. Enlever le convertisseur en plastique du capuchon du détendeur.
  - Le convertisseur s'insère fortement dans le capuchon.
3. Inverser le convertisseur et le pousser fermement dans l'orifice du capuchon.
  - Le convertisseur doit maintenant indiquer « NAT » ou ne porter aucune indication.
4. Placer le capuchon sur le détendeur et serrer.
  - Le convertisseur ne doit pas empêcher le libre jeu du ressort dans le détendeur.

## Conversion d'un détendeur de type 2 au gaz naturel

1. Enlever le capuchon du détendeur à l'aide d'une clé de  $\frac{5}{8}$  pouce.
2. Inverser le capuchon.
  - Le capuchon doit maintenant indiquer « NAT » ou ne porter aucune indication.
3. Mettre le capuchon sur le détendeur et serrer.

## Conversion des brûleurs au gaz naturel

1. Enlever les boutons de réglage, les grilles, les chapeaux et les cuvettes des brûleurs.
2. Enlever les brûleurs. Pour cela, dévisser la vis qui les maintient en place à l'aide d'un tournevis cruciforme. Débrancher les brûleurs de leurs fils électriques.
3. Soulever le dessus de la plaque de cuisson de façon à exposer les obturateurs d'air.
4. Tourner les bagues de serrage d'environ 1,5 à 2 tours dans le sens contraire à celui des aiguilles d'une montre (les ouvrir).
5. Remonter le dessus de la plaque de cuisson en place.
6. Ajuster la flamme du brûleur s'il y a lieu.
  - Voir sous *Réglage de la flamme des brûleurs*.

## Pression de l'alimentation en gaz



### ATTENTION

Pour éviter tous dégâts matériels, la pression de l'alimentation en gaz ne doit pas être supérieure à 14 pouces de colonne d'eau.

- La plaque de cuisson et le robinet d'arrêt individuel doivent être désolidarisés de l'alimentation en gaz pendant tout test de pression à une pression supérieure à  $\frac{1}{2}$  lb/po<sup>2</sup> (3,5 kPa) (14 pouces de colonne d'eau).
- La cuisinière doit être coupée de l'alimentation en gaz en fermant le robinet d'arrêt pendant tout test de pression à une pression égale ou inférieure à  $\frac{1}{2}$  lb/po<sup>2</sup> (3,5 kPa) (14 pouces de colonne d'eau).
- La pression de gaz utilisée pour vérifier le réglage du détendeur doit être supérieure d'au moins 1 pouce de colonne d'eau à la pression de la tubulure indiquée sur l'étiquette signalétique.
- Le détendeur livré avec la plaque de cuisson doit être celui utilisé.

## Raccordement au gaz

Raccorder le détendeur à l'alimentation en gaz à l'aide d'une tubulure ou d'un flexible de raccordement. Le détendeur fourni avec cette plaque de cuisson est équipé d'une connexion femelle de 1/2 pouce NPT.

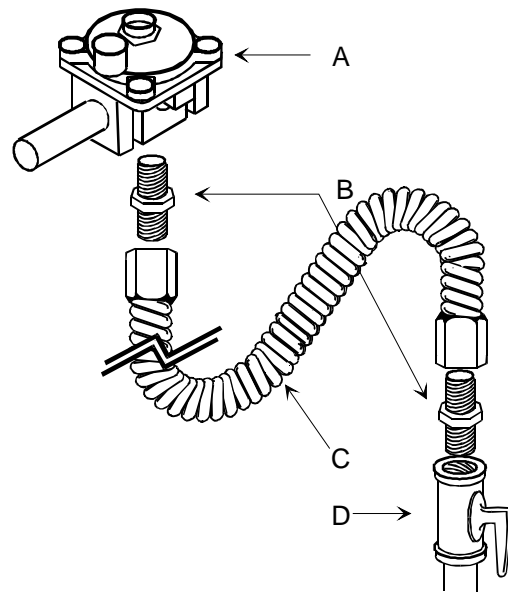
- Un robinet d'arrêt, non fourni avec la plaque de cuisson, doit être posé dans un endroit accessible à l'extérieur de la plaque de cuisson.
- Utiliser de la pâte à joints résistant aux effets du gaz propane sur le filetage de toutes les tubulures mâles.
- Utiliser uniquement le détendeur fourni.
- Ne pas trop serrer le raccord lors du raccordement du détendeur car celui-ci risque de se fêler.
- Maintenir le détendeur en place à l'aide d'une clé lors de la pose des raccords.



### MISE EN GARDE

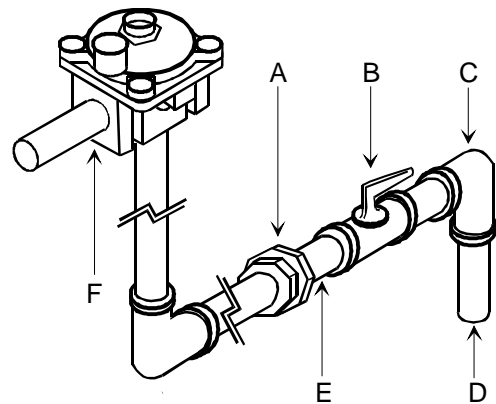
Afin d'éviter tous dégâts matériels ou blessures, utiliser uniquement un flexible de raccordement neuf homologué AGA/CGA.

- Ne pas utiliser un flexible de raccordement usagé.
- Ne pas réutiliser l'ancien flexible de raccordement après avoir déplacé la plaque de cuisson.



- A—Détendeur
- B—Raccord
- C—Flexible de raccordement
- D—Robinet d'arrêt

Flexible de raccordement



- A—Raccord
- B—Robinet d'arrêt
- C—Coude de réduction de 3/4 x 1/2 po
- D—Tubulure d'arrivée de 3/4 po
- E—Raccord fileté de 1/2 po
- F—Détendeur

Tubulure

## Vérification des fuites de gaz

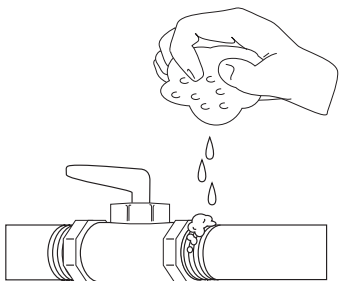


### MISE EN GARDE

Afin d'éviter tous dégâts ou blessures graves, ne jamais vérifier la présence de fuites à l'aide d'une allumette enflammée.

Une fois le raccordement au gaz effectué, vérifier que les joints et raccords de la conduite de gaz et de la plaque de cuisson ne présentent pas de fuites.

1. Mettre du savon sur le raccord.
  - S'il se forme des bulles, il y a une fuite.
2. S'il y a une fuite au niveau d'un joint installé en usine, le resserrer.
  - Si la fuite ne se trouve pas au niveau d'un joint installé en usine, le dévisser, mettre de la pâte à joint et serrer.
3. Revérifier que le raccord ne présente pas de fuite après avoir resserré le raccord.
  - Revérifier tout raccord qui aurait pu être desserré au cours du réglage précédent.

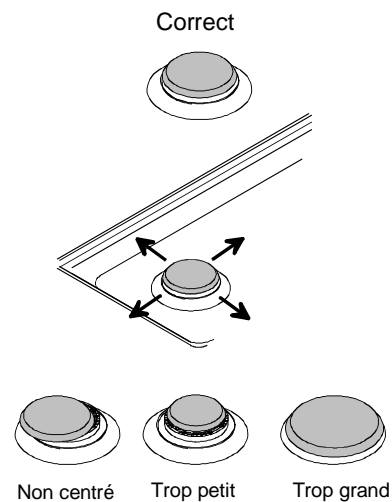


Vérification des fuites de gaz

Les chevilles de la structure du brûleur conviennent à l'empreinte en dessous du couvre-brûleur. Pour s'assurer que le couvre-brûleur est bien aligné et mis de niveau, le faire tourner autour de la structure du brûleur. Le couvre-brûleur doit être correctement fixé à la structure du brûleur afin d'en assurer le bon fonctionnement.

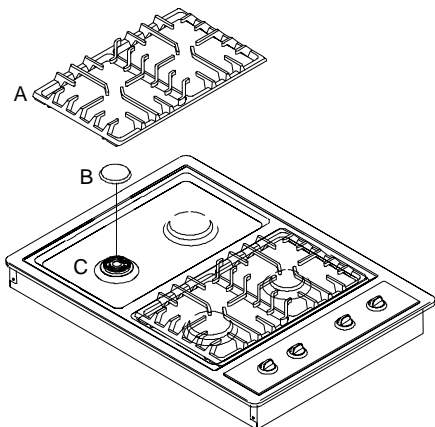
S'assurer que chaque structure du brûleur est recouverte d'un couvre-brûleur de taille appropriée. Le brûleur ne brûlera pas adéquatement si un couvre-brûleur est placé sur une structure dont la taille ne lui convient pas.

Vérifier l'allumage après avoir placé le couvre-brûleur. Voir la rubrique *Fonctionnement des brûleurs* pour l'utilisation des brûleurs.



Couvre-brûleur

## Remise en place des chapeaux des brûleurs



- A—Grille du brûleur
- B—Couvre-brûleur
- C—Structure du brûleur

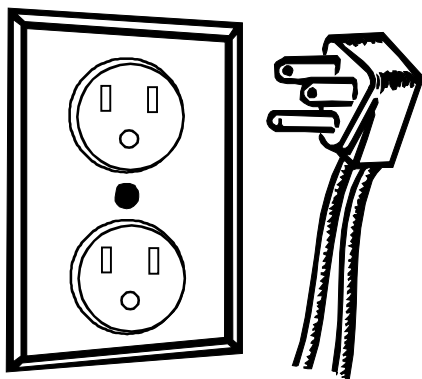
## Alimentation électrique

La mise en service de cette plaque de cuisson doit se faire conformément aux codes locaux ou, à défaut, au code CAN/CGA-B149.2 relatif aux appareils à gaz. Si une alimentation électrique extérieure est utilisée lors de la mise en service de l'appareil, celui-ci doit être relié à la terre conformément aux codes locaux ou, à défaut, au Code canadien de l'électricité ACN C22.1, partie 1, ou au dernier "National Electrical Code" ANSI/NFPA n° 70.

Le raccordement à l'électricité doit être conforme aux Normes ACN Z240.6.1 concernant les caractéristiques techniques exigées pour les appareils utilisant l'électricité dans des maisons mobiles.

# Fonctionnement

Utiliser une prise murale dédiée à trois trous de 120 V et 60 Hz protégée par un disjoncteur ou un fusible à fusion temporisé 15 A. Un électricien qualifié doit confirmer que la prise est correctement reliée à la terre. La plaque de cuisson est munie d'un cordon d'alimentation de 4 pieds relié au bas de celle-ci dans la partie inférieure du coin arrière gauche.



Utiliser une prise murale dédiée à trois trous

Si la prise est à deux trous, le propriétaire de la plaque de cuisson doit la remplacer avant de l'utiliser. Ne pas couper le cordon ni enlever la broche de mise à la terre.

Dans le cas d'une mise en service de la plaque de cuisson dans une maison mobile, celle-ci doit être conforme aux Normes ACN Z241.1 concernant les appareils à gaz utilisés dans les maisons mobiles. Le raccordement à l'électricité doit être conforme aux Normes ACN Z240.6.1 concernant les caractéristiques techniques exigées pour les appareils utilisant l'électricité dans des maisons mobiles.

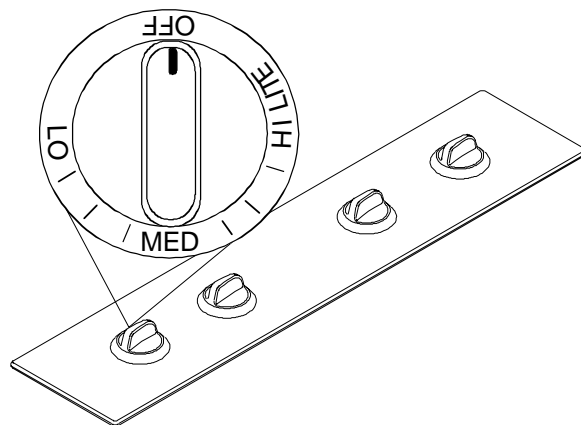
La mise en service d'appareils électroménagers conçus pour les maisons préfabriquées (mobiles) doit être conforme aux Normes de sécurité et de construction des maisons préfabriquées, article 24 CFR, paragraphe 3280 ou, lorsque cette norme ne s'applique pas, aux Normes d'installation des maisons préfabriquées, ANSI225.1/NFPA 501A, dernière édition, ou aux Normes CAN/ACN-Z240MH relatives aux maisons mobiles, ainsi qu'aux codes locaux, s'ils s'appliquent.

La mise en service d'appareils électroménagers doit être conforme au code CAN1-B149.1 ou B149.2 relatif aux appareils à gaz et/ou aux codes locaux.

Tous raccordements électriques doivent être conformes au code d'électricité canadien ACNC22.1.

## Fonctionnement des brûleurs

1. Pousser sur le bouton et le tourner jusqu'à la position « LITE » (allumage).
  - Le brûleur produit une étincelle jusqu'à ce que le bouton ne soit plus sur « LITE ».
2. Mettre le bouton sur le réglage désiré.
3. Une fois la cuisson terminée, mettre le réglage sur « OFF » (arrêt).
  - Se référer à la plaque signalétique sous la plaque de cuisson pour connaître la puissance de chacun des brûleurs.



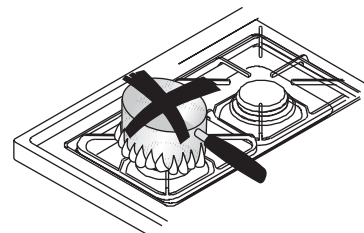
Fonctionnement des brûleurs

## Allumage retardé

Le brûleur doit s'allumer dans un délai de 4 secondes. Si le brûleur ne s'allume pas dans un délai de 4 secondes, tourner le bouton de commande à la position « OFF » (arrêt) et suivre les directives des rubriques « Placement des grilles et des couvre-brûleurs ». Essayer d'allumer le brûleur. Si le brûleur ne s'allume toujours pas, appeler un prestataire de service après-vente agréé.

## Réglage de taille de la flamme du brûleur

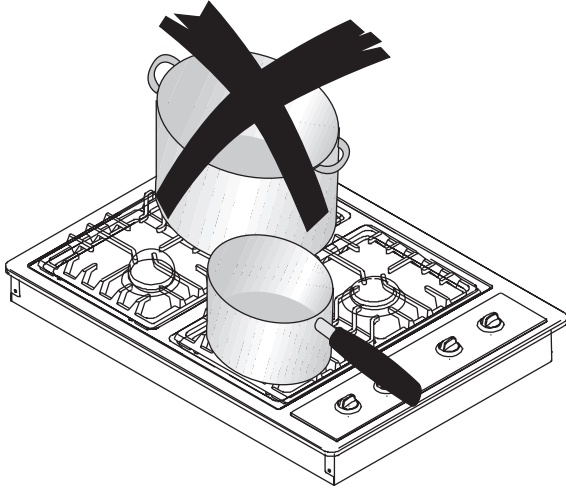
- Tout en tournant le bouton de commande, surveiller la flamme du brûleur.
- La taille de la flamme du brûleur doit correspondre à celle du plat. Ne pas laisser la flamme dépasser les extrémités du plat. Une flamme qui dépasse les extrémités d'un plat peut causer des brûlures, rendre la poignée chaude ou brûler les vêtements.



Réglage de taille de la flamme du brûleur

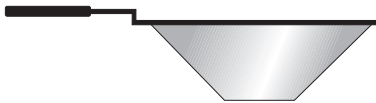
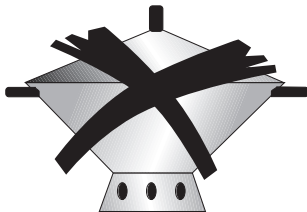
## Plats de cuisson

- Utiliser un plat de taille appropriée. Ne pas utiliser de plat dont le dessous est plus petit que l'élément. Ne pas utiliser d'ustensiles qui dépassent l'élément de plus d'un pouce (2,54 cm).



Plats de cuisson

- Manipuler avec soin les ustensiles de cuisson émaillés. Certains verres, la faïence et autres ustensiles émaillés peuvent casser lors de changements soudains de température.
- Les poignées des ustensiles ne doivent pas être desserrées ni cassées.
- Elles ne doivent pas être assez lourdes pour faire incliner le plat.
- Ne pas utiliser de grilles de four sur la cuisinière. Ces grilles empêchent une combustion complète et peuvent faire en sorte que le taux de monoxyde de carbone soit supérieur aux limites acceptables.
- Ne pas utiliser de wok avec un support annulaire. Utiliser un wok à fond plat.

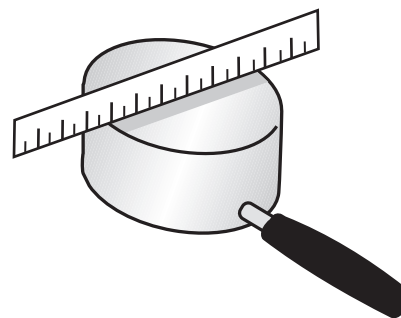


Woks

Caractéristiques des matériaux des plats		
Type	Réponse de la température	Utilisation
Aluminium	Chauffe et refroidit rapidement	Friture, braisage, rôtissage
Fonte	Chauffe et refroidit rapidement	Cuisson à feu doux, friture
Cuivre avec étain	Chauffe et refroidit rapidement	Gastronomie, sauces au vin, plats aux oeufs
Métal émaillé	Selon le métal de base	Cuisson à feu doux
Vitro-céramique	Chauffe et refroidit rapidement	Cuisson à feu doux
Acier inoxydable	Chauffe et refroidit à une vitesse modérée	Soupes, sauces, légumes, cuisson générale

Pour éviter le basculement, utiliser un récipient à fond plat. Déterminer si le plat possède un fond plat.

1. Faire tourner une règle le long du fond du récipient. S'il n'est pas plat, des écarts entre le fond du récipient et le rebord de la règle apparaîtront.
2. Une petite rainure ou marque sur le récipient n'affecte pas les durées de cuisson. Cependant, s'il y a un écart, des cernes ou que le fond du récipient est inégal, la cuisson est inefficace et dans certains cas, l'eau ne bouillera pas.



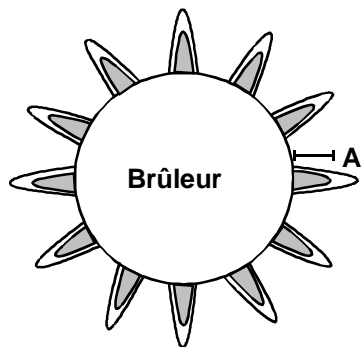
Déterminer si le plat possède un fond plat



### Réglage de la flamme des brûleurs

Une flamme correctement réglée est bleue et présente un cône bien défini d'environ 1/4 à 1/2 pouce de long. Voir la partie "Fonctionnement des brûleurs" pour l'utilisation des brûleurs.

- Si la flamme se détache du brûleur ou est bruyante, réduire l'apport d'air au brûleur au niveau de l'obturateur.
- Si la flamme est jaune et ne garde pas sa forme, augmenter l'apport d'air au brûleur au niveau de l'obturateur.

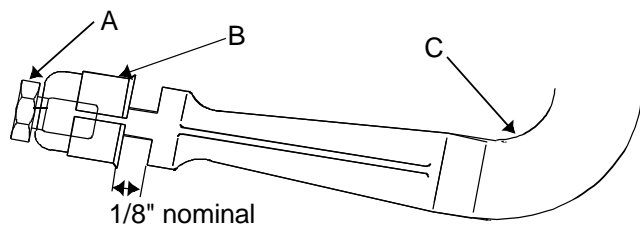


A—Cône interne de 1/4 à 1/2 po de long

Réglage de la flamme des brûleurs

### Réglage de l'obturateur

1. Enlever les boutons de réglage, les grilles, les chapeaux et les cuvettes des brûleurs.
2. Enlever les brûleurs. Pour cela, dévisser la vis qui les maintient en place à l'aide d'un tournevis cruciforme. Débrancher les brûleurs de leurs fils électriques.
3. Soulever le dessus de la plaque de cuisson de façon à exposer les obturateurs d'air.
4. Faire coulisser l'obturateur pour l'ouvrir ou le fermer, en fonction de la flamme.
  - Si la flamme est jaune et ne garde pas sa forme, ouvrir l'obturateur.
  - Si la flamme se détache du brûleur ou est bruyante, fermer l'obturateur.
5. Remonter les brûleurs.
6. Révifier la flamme.

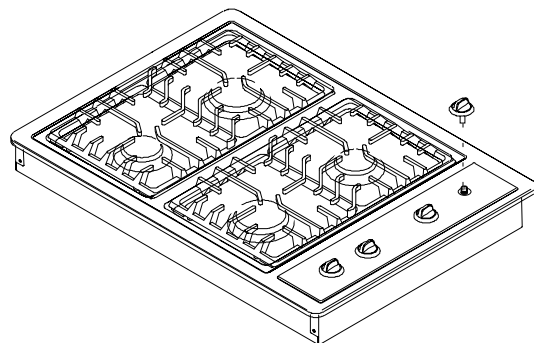


A—Bague de serrage  
B—Obturateur d'air  
C—Tube de venturi

Réglage de l'obturateur

### Réglage de la hauteur de la flamme à feu doux

1. Pousser sur le bouton et le tourner jusqu'à la position « LITE » (allumage).
  - Le brûleur produit une étincelle jusqu'à ce que le bouton ne soit plus sur « LITE ».
2. Mettre le réglage sur feu doux.
3. Retirer le bouton de réglage.
4. Maintenir la tige en place et visser ou dévisser la vis qui se trouve au centre jusqu'à ce que la flamme soit réglée.
  - Utiliser un petit tournevis plat.
5. Remettre le bouton de réglage en place.
6. Allumer et éteindre le brûleur pour en vérifier la flamme.
7. Si la flamme est trop basse, elle risque d'être facilement éteinte par un courant d'air, l'ouverture et la fermeture d'une porte, les bouches de climatisation et de chauffage, les ventilateurs de plafond, etc.



Réglage de la hauteur de la flamme à feu doux

### Allumage des brûleurs en cas de panne de secteur

Si la plaque de cuisson n'est pas alimentée en électricité, allumer le brûleur au moyen d'une allumette.

1. Tenir l'allumette allumée à 1/2 po de la tête du brûleur.
2. Pousser sur le bouton de réglage et le mettre sur « LITE » (allumage).
  - Retirer la main une fois que le brûleur s'allume.
3. Tourner le bouton sur « OFF » (arrêt) une fois la cuisson terminée.

### Nettoyage de la plaque de cuisson, des brûleurs et des grilles

Nettoyer la plaque de cuisson, les chapeaux et les grilles avec un linge humidifié d'eau savonneuse. Nettoyer à l'aide de produits ou de tampons nettoyants non abrasifs s'il y a lieu. Bien sécher une fois le nettoyage terminé pour éviter la formation de rouille.

- Ne pas utiliser de poudres à récurer très abrasives, de produits pour le four, de tampons à récurer ni de laine d'acier.

## **Amana® APPAREILS DE CUISSON AMANA® (sauf les fours encastrés)**

### **GARANTIE COMPLÈTE D'UN AN**

### **GARANTIE LIMITÉE PENDANT LA DEUXIÈME ANNÉE SUR TOUTES LES PIÈCES GARANTIE LIMITÉE ENTRE LA TROISIÈME ET LA CINQUIÈME ANNÉE SUR LA SURFACE DE CUISSON EN VITROCÉRAMIQUE, LES ÉLÉMENTS DE SURFACE ÉLECTRIQUES OU LES BRÛLEURS À GAZ DE SURFACE**

#### **PREMIÈRE ANNÉE**

Amana Appliances réparera ou remplacera, sans aucun frais, toute pièce (f.a.b. Amana, IOWA) s'avérant défectueuse en raison des matériaux ou de la main-d'oeuvre.

#### **DEUXIÈME ANNÉE**

Amana Appliances fournira, sans aucun frais, une pièce de rechange, pièce seulement (f.a.b. Amana, IOWA), pour tout composant s'avérant défectueux en raison des matériaux ou de la main-d'oeuvre.

#### **TROISIÈME ANNÉE À CINQUIÈME ANNÉE**

Amana Appliances fournira, sans aucun frais, une surface de cuisson en vitrocéramique de rechange, pièce seulement (f.a.b. Amana, IOWA), s'avérant défectueuse en raison des matériaux ou de la main-d'oeuvre.

#### **TROISIÈME ANNÉE À CINQUIÈME ANNÉE**

Amana Appliances fournira, sans aucun frais, des éléments de surface électriques ou des brûleurs de surface à gaz de rechange, pièce seulement (f.a.b. Amana, IOWA), s'avérant défectueux en raison des matériaux ou de la main-d'oeuvre.

#### **RESPONSABILITÉS DU PROPRIÉTAIRE:**

- Remettre toute pièce défectueuse à un technicien agréé par Amana.
- Fournir une preuve d'achat (récépissé de vente).
- Procéder à l'entretien normal, y compris le nettoyage tel qu'indiqué dans le manuel du propriétaire.
- Remplacer les composants tel qu'indiqué dans le manuel du propriétaire.
- Faciliter l'accès à l'appareil lors des réparations.
- Payer le supplément lorsque le technicien doit procéder à une réparation en dehors des heures d'ouverture normales.
- Payer les frais de visite relativement à l'installation de l'appareil et à l'éducation du consommateur.
- Payer les frais de main-d'oeuvre et de déplacement du technicien en vertu des dispositions limitées de la garantie.

#### **CE QUI N'EST PAS COUVERT:**

- L'entretien normal et le nettoyage du produit.
- Les ampoules électriques.
- Les dommages subis pendant l'installation et l'expédition.
- Toute reconstruction qui ne constitue pas une réparation couverte par la garantie.
- Les pannes causées par ce qui suit :
  - Service après-vente non autorisé.
  - Accumulation de graisse ou autre substance en raison d'un entretien ou un nettoyage inadéquat.
  - Endommagement accidentel ou intentionnel.
  - Mauvaise connexion du gaz ou de l'électricité.
  - Désastre naturel.
  - Utilisation inadéquate de casseroles, récipients ou accessoires qui peuvent endommager le produit.

#### **LIMITES DE LA GARANTIE:**

- Commence à la date de l'achat original.
- Les produits utilisés à des fins commerciales ou locatives ne sont pas couverts par cette garantie.
- S'applique à un appareil utilisé aux États-Unis ou au Canada si cet appareil est approuvé par l'Association canadienne de normalisation en quittant l'usine.
- Toute réparation doit être effectuée par un technicien agréé par Amana.
- Les ajustements sont couverts durant la première année seulement.

#### **LA GARANTIE EST NULLE ET NON AVENUE SI:**

- La plaque du numéro de série est illisible.
- L'appareil a été modifié par l'utilisateur.
- L'appareil est utilisé ou installé de façon incorrecte.

#### **EN AUCUN CAS AMANA APPLIANCES N'EST RESPONSABLE DES DOMMAGES INDIRECTS OU ACCESSOIRES\***

\* Cette garantie vous donne des droits légaux spécifiques et vous pourriez bénéficier d'autres droits qui varient selon l'état ou la province où vous demeurez. Par exemple, certains états ou provinces ne permettant pas l'exclusion ou la limitation des dommages indirects ou accessoires, cette exclusion ne s'applique pas forcément à votre cas.

Pour toutes questions concernant ce qui précède ou pour connaître l'adresse du technicien agréé par Amana le plus proche, contacter :

Amana Appliances  
2800 220th Trail  
PO Box 8901  
Amana, Iowa 52204-0001  
États-Unis  
1-800-843-0304 aux États-Unis  
1-319-622-5511 de l'extérieur des États-Unis





## Free Manuals Download Website

<http://myh66.com>

<http://usermanuals.us>

<http://www.somanuals.com>

<http://www.4manuals.cc>

<http://www.manual-lib.com>

<http://www.404manual.com>

<http://www.luxmanual.com>

<http://aubethermostatmanual.com>

Golf course search by state

<http://golfingnear.com>

Email search by domain

<http://emailbydomain.com>

Auto manuals search

<http://auto.somanuals.com>

TV manuals search

<http://tv.somanuals.com>