

Overview

Used in conjunction with the DAS-MET-6SRC Metreau keypad, the DAS-MET-NUM Metreau numeric keypad (FG1122-02) provides direct numeric access, setting & recalling presets, and access to advanced functionality such as grouping, Setting Favorites, Alarm, and Keypad lockout functionality. (FIG. 1). The DAS-MET-NUM Metreau numeric keypad connects to the main DAS-MET-6SRC keypad via a 14-pin connector (FIG. 2).

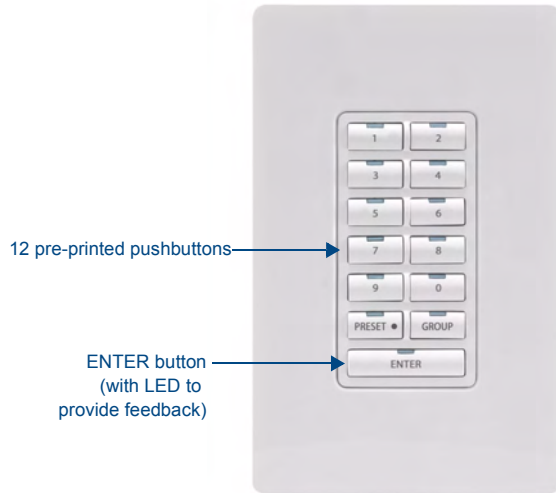


FIG. 1 DAS-MET-NUM Metreau Numeric Audio Keypad

The DAS-MET-NUM is a SWT keypad, suitable for use in Matrix Distributed Audio Systems.

Specifications

DAS-MET-NUM Specifications	
Power:	12 VDC, 125 mA
Front Panel Components:	Pushbuttons - 13 tactile pushbuttons.
Rear Panel Components:	Wiring connection - One 14-pin connector that provides connection to the main 6 Source Metreau Keypad (DAS-MET-6SRC).
Dimensions (HWD):	<ul style="list-style-type: none"> Keypad and Mounting Plate: 4.055" x 1.772" x 0.818" (103mm x 45mm x 207mm) Mounts into standard decora-style wall plates.
Weight:	2.4 oz. (68.04 g)
Operating Environment:	<ul style="list-style-type: none"> Operating Temperature: 32° - 104° F (0° - 40° C). Relative Humidity: 5% - 85%, non-condensing. Intended for indoor use only.
Certifications:	<ul style="list-style-type: none"> FCC Class B CE IEC60950 RoHS
Colors:	<ul style="list-style-type: none"> White (FG1122-02-WH) Black (FG1122-02-BL) Light Almond (FG1122-02-LA)
Optional Accessories:	<ul style="list-style-type: none"> Single Button Kit (FG5794-10) Double Button Kit (FG5794-11) Lutron Cairo Wallplates (available in a variety of sizes and colors)

Installation

Note: Before touching the device, discharge the static electricity from your body by touching a grounded metal object.

FIG. 2 shows the basic rear components of the DAS-MET-NUM keypads:

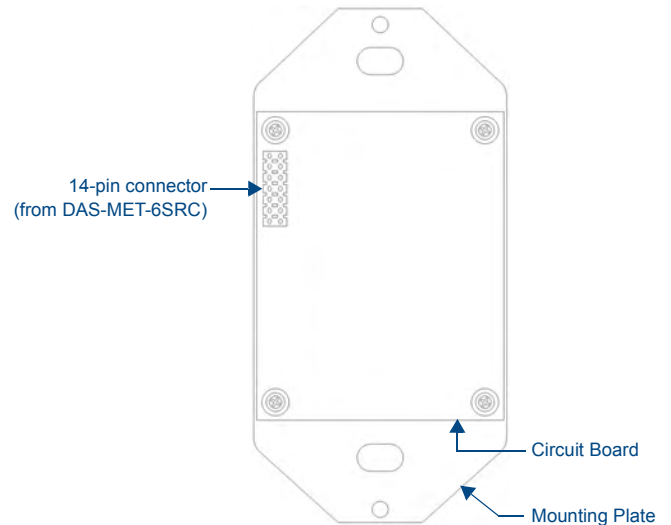


FIG. 2 DAS-MET-NUM - Rear Components

Wiring

The DAS-MET-NUM Metreau numeric keypad connects to the main DAS-MET-6SRC keypad via a 14-pin connector, as indicated in FIG. 3:

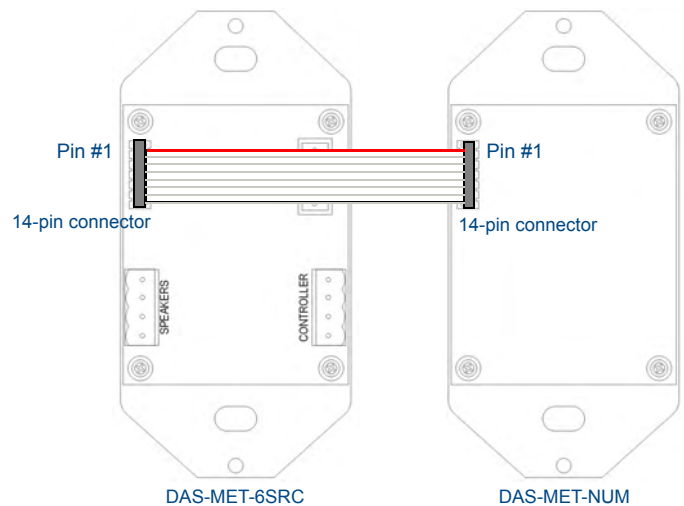


FIG. 3 DAS-MET-NUM connected to main DAS-MET-6SRC keypad

- The red line on the cable indicates Pin #1.
- The cable cannot be twisted, it must be straight across (pin1 to pin1).

Mounting Procedures

AMX recommends mounting Metreau keypads in standard U.S.-style decora wallboxes:

- Conduit box should meet NEC specs (section 370)
- Minimum internal clearance of (HWD) 2-5/8" x 1-3/4" x 1-5/8".

Note: Before touching the device, discharge the static electricity from your body by touching a grounded metal object.

Wallbox Mounting

1. Use the cutout dimension for the wallbox to cutout the install surface.
2. Connect the AxLink connector (or SWT cable connectors) to the rear of the keypad.
3. Place the Mounting Plate on the wallbox; align the screw holes with the mounting holes and fasten the Mounting Plate to the wallbox using the screws supplied.

Note: Do not overtighten the screws when mounting the Mounting Frame. The device should be flush with mounting surface.

Mounting Dimensions

FIG. 4 provides detailed dimensions for the 13-button Metreau keypads.

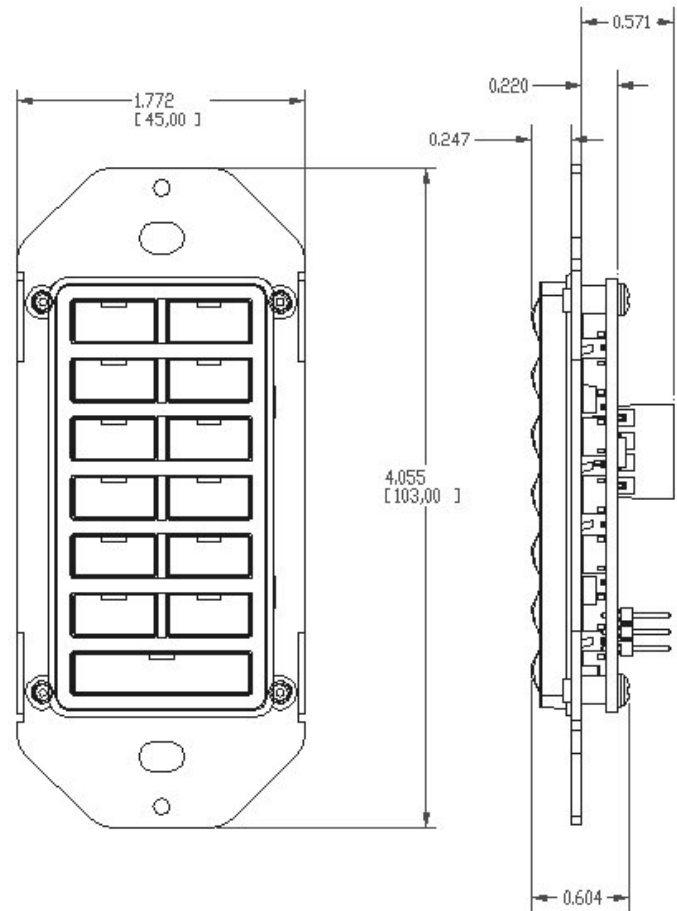


FIG. 4 Mounting Dimensions - DAS-MET-NUM

Programming

SWT-only Metreau keypads (DAS-MET-6SRC and DAS-MET-NUM) are configured via the Tango Audio Controller. Refer to the *Tango Audio Controllers Operation / Reference Guide* for details.

Additional Documentation

Refer to the *Metreau Keypads Operation/Reference Guide* (available online www.amx.com) for additional information on configuration, programming and using the Metreau keypads.



Free Manuals Download Website

<http://myh66.com>

<http://usermanuals.us>

<http://www.somanuals.com>

<http://www.4manuals.cc>

<http://www.manual-lib.com>

<http://www.404manual.com>

<http://www.luxmanual.com>

<http://aubethermostatmanual.com>

Golf course search by state

<http://golfingnear.com>

Email search by domain

<http://emailbydomain.com>

Auto manuals search

<http://auto.somanuals.com>

TV manuals search

<http://tv.somanuals.com>