

NXA-UPS1500EPM Extended Power Module

NXA-UPS1500 EPM Extended Power Module (FG 678-16) works with the NXA-UPS1500 Uninterruptible Power Supply to increase the duration of backup power, providing up to 3X additional battery run time (FIG. 1).

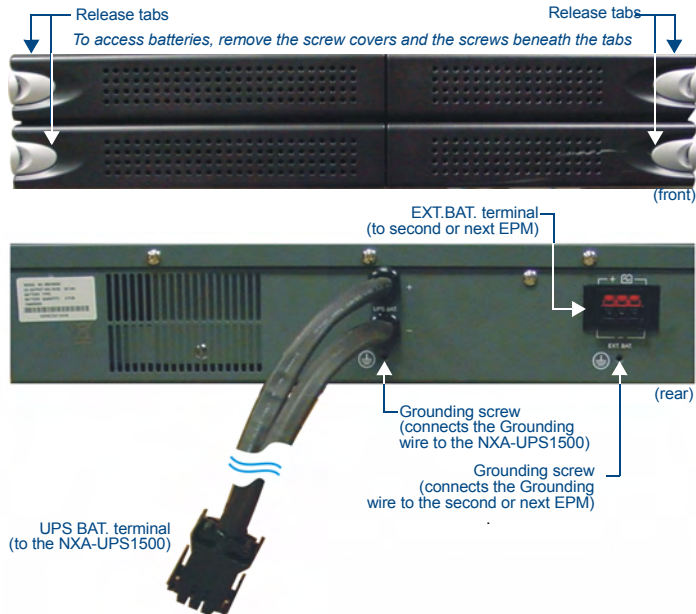


FIG. 1 NXA-UPS1500 EPM Extended Power Module

IMPORTANT SAFETY INSTRUCTIONS

SAVE THESE INSTRUCTIONS

This manual contains important instructions that should be followed during installation and maintenance of the EPM and batteries.

IMPORTANT NOTICE

- This EPM connects to an UPS. There will be voltage at the output terminals if the UPS is turned on even if the input AC Mains is not available.
- To eliminate any overheating of the EPM, keep all ventilation openings free from obstruction and do not place any foreign objects on top of the EPM. Keep the EPM 8" (20cm) away from the wall.

Note: EPM connectors are color coded. Do not try to install the EPM with connectors that are a different color from the EPM connector in the UPS.
- This EPM is not designed for use in dusty, corrosive and salty environment.
- The battery will discharge naturally if the system is unused for a period of time.

Note: The EPM module is approx. 27.5~110.2 lbs. (12.5~50 kgs), be cautious when unpacking and lifting the unit to avoid injury.
- It should be recharged every 2-3 months if unused. During normal operation, the batteries will automatically remain in charged condition.
- When replacing batteries, replace with the same quantity, type & capacity.
- **CAUTION - Do not dispose of battery or batteries in an open fire. The battery may explode.**
- **CAUTION - Do not open or mutilate the batteries. The electrolyte from the batteries is toxic and harmful to the skin and eyes.**
- **CAUTION - Risk of Electric Shock - Battery circuit is not isolated from AC, hazardous voltage may exist between battery terminals and ground. Test before touching with bare hands.**
- **CAUTION - A battery can present a risk of electrical shock and high short circuit current. The following precautions should be observed when working on batteries:**

1. Remove watches, rings, or other metal objects.
2. Use tools with insulated handles.
3. Wear rubber gloves and boots.
4. Do not lay tools or metal parts on top of batteries.
5. Disconnect charging source prior to connecting or disconnecting battery terminals.

EPM Specifications

- Nominal System Voltage: 24V
- Connector color: Red (+), Black (-)

Related Documents

Refer to the NXA-UPS1500 Uninterruptible Power Supply Operations/Reference Guide (available online at www.amx.com) for additional information, including instructions on replacing the batteries and rack-mounting the UPS and EPM.

Installing the EPM

The packing condition and the external outlook of the unit should be inspected carefully before installation. Retain the packing material for future use. The EPM includes accessories for tower and rack mount (FIG. 2).

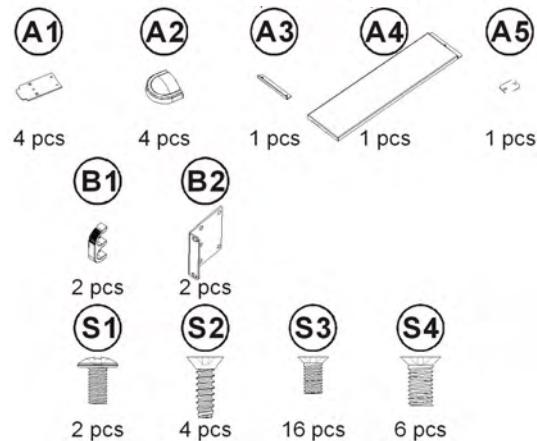


FIG. 2 EPM Accessories for Tower and Rack Mount

Selecting Installation Position

It is necessary to select a proper environment to install the unit, in order to minimize the possibility of damage to the EPM and extend the life of the batteries.

Please follow the instructions below:

1. Make sure the EPM is installed within the proper environment as specified. (0-40°C and 30-90% non-condensing humidity)
2. This EPM is designed for indoor use only.
3. Ensure the installation site environmental conditions are in accordance with the EPM working specifications to avoid overheat and excessive moisture.
4. Do not block the air-flow to the ventilation openings of the unit.
5. Keep at least 20cm (8') clearance from the rear panel of the EPM from the wall or other obstructions.

Note: In order to mount the EPM into an equipment rack, you must use a rack shelf (not included with the EPM).

Setup Instructions

Connecting the Batteries

The UPS1500EPM ships with the eight batteries installed inside the unit. Before use, you will need to connect the main power connector inside the unit:

1. Remove the Release tabs on the front panel (see FIG. 1) to expose the screws that secure the Battery Compartment Cover.
2. Remove the screws beneath the Release tabs (FIG. 3).

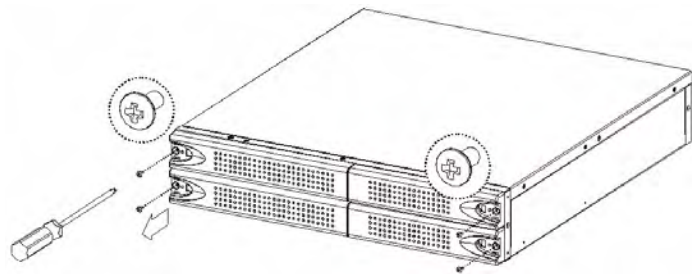


FIG. 3 Remove the screws that secure the Battery Compartment Cover

3. Remove the Battery Compartment Cover to access the Battery Compartment.
4. Connect the 4-pin connector from the battery cable harness to the matching connector inside the unit (FIG. 4).

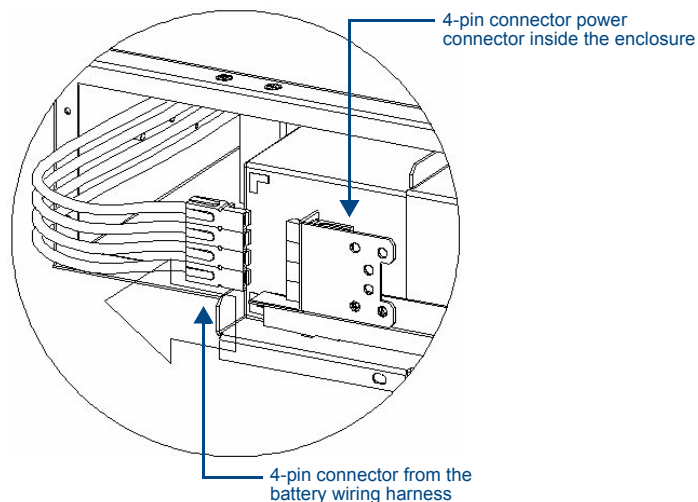


FIG. 4 Connect the battery cable harness to the matching connector inside the unit

Connecting the EPM To The UPS

FIG. 5 illustrates connecting the DC Cable on the EPM(s) to the UPS:

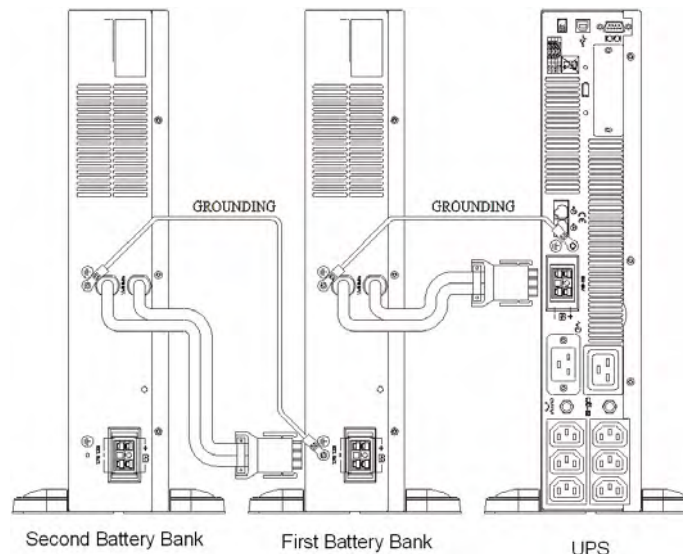


FIG. 5 Connect DC Cable

EPM - Storage Instructions

For extended storage through moderate climate +5 - +86 °F (-15 - +30 °C), the batteries should be charged for 12 hours every 6 months by plugging the UPS power cord into the wall receptacle.

Repeat this every 3 months under high temperature +86 to +113 °F (+30 to +45 °C) environment.

Free Manuals Download Website

<http://myh66.com>

<http://usermanuals.us>

<http://www.somanuals.com>

<http://www.4manuals.cc>

<http://www.manual-lib.com>

<http://www.404manual.com>

<http://www.luxmanual.com>

<http://aubethermostatmanual.com>

Golf course search by state

<http://golfingnear.com>

Email search by domain

<http://emailbydomain.com>

Auto manuals search

<http://auto.somanuals.com>

TV manuals search

<http://tv.somanuals.com>