

The RDM-INC Incandescent Dimming Module is designed for use with the RDA series of enclosures, in a AMX Lighting™ modular digital dimming system. It is a standard 2400 W incandescent dimmer. It can dim incandescent lights, cold-cathode, neon and two-wire dimmable ballasts. The RDM-INC module's 120, 240, and 277 VAC ratings are CE, UL, and C-UL approved.

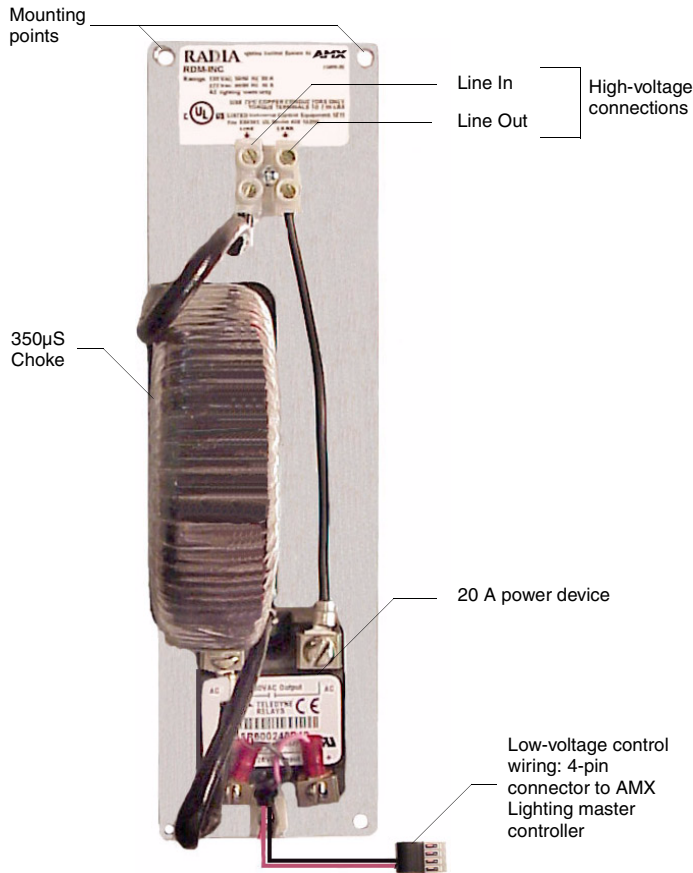


FIG. 1 RDM-INC

RDM-INC UL and C-UL Ratings:

- 120 VAC, 50/60 Hz, 2400 W
- 240/277 VAC, 50/60 Hz, 2400 W

Suggested Dimmed Loads:

- Incandescent
- Low-voltage
- Neon, cold-cathode
- Two-wire, phase-controlled ballast

Specifications:

- Dimensions (HW): 10.0" x 2.75" (25.4 cm x 6.985 cm)
- Phase dependant
- Use wires rated at 75°C (167°F)
- Torque terminals to 7 in-lbs. (0.8 N/M)
- Max. wire size: 10 AWG (4 mm²)
- Wire stripping length: 0.28" (7 mm)
- Weight: 3.7 lbs. (1.67 kg)
- BTU/hr: 300
- Control current: 45 mA @ 12 VDC
- Choke: 350 µS Rise time @ 120 VAC
175 µS Rise time @ 240 VAC

Caution: Pre-Installation Notes:

- All Class 1 wiring must be connected to proper terminals.
- All control wiring must be connected to proper terminals.
- Disconnect power while installing or connecting unit.
- Keep top and bottom air vents clear at all times.

- Test loads for shorts before connecting.
- Use low voltage wires with a 300 volt rating or greater.
- Use field installed copper conductors.
- Run all low-voltage and control wires away from heat producing parts of the dimmer.
- Each dimming circuit must have a separate neutral connection.
- All electrical ratings are for continuous duty.
- AC lighting loads only.
- For indoor use only.
- This module may require extra power from the AXlink connection or an external power supply connected to the control card.

Connecting the RDM-INC to the AMX Lighting Master

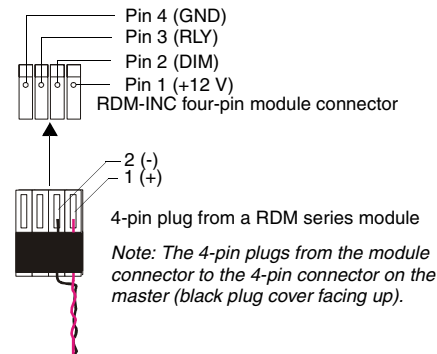


FIG. 2 Connecting the RDM-INC to the the AMX Lighting Master

Lighting Application Drawing

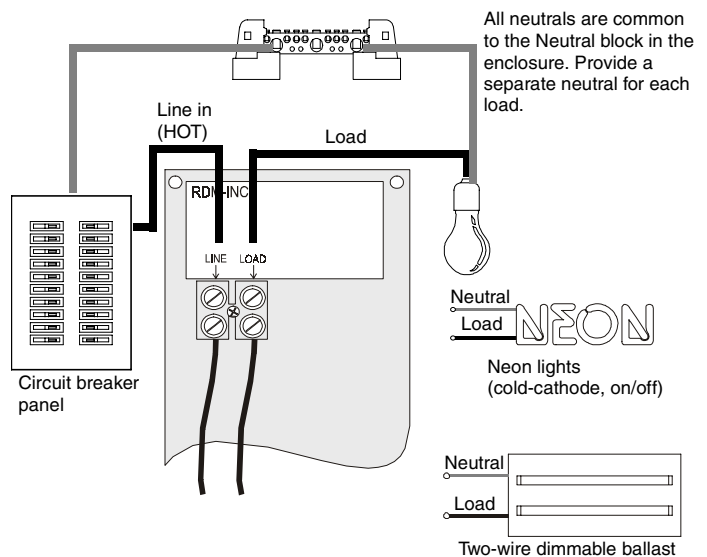


FIG. 3 Sample wiring diagram

AMX Corporation reserves the right to alter specifications without notice at any time.
For full warranty information, refer to the AMX Instruction Manual(s) associated with your Product(s).

043-019-2206 8/01 ©2001 AMX Corporation. All rights reserved.

The AMX logo is a trademark of AMX Corporation. AMX Corporation reserves the right to alter specifications without notice at any time.
3000 research drive, richardson, TX 75082 USA • 469.624.8000 • 800.222.0193 • fax 469.624.7153 • technical support 800.932.6993



Free Manuals Download Website

<http://myh66.com>

<http://usermanuals.us>

<http://www.somanuals.com>

<http://www.4manuals.cc>

<http://www.manual-lib.com>

<http://www.404manual.com>

<http://www.luxmanual.com>

<http://aubethermostatmanual.com>

Golf course search by state

<http://golfingnear.com>

Email search by domain

<http://emailbydomain.com>

Auto manuals search

<http://auto.somanuals.com>

TV manuals search

<http://tv.somanuals.com>