

Overview

The Matrix Distributed Audio DAS-LLC Line Level Converter with Speaker Wire Technology (FG1110-05) allows you to use an external power amplifier to power the speakers in a zone, using Speaker Wire Technology™ (SWT) to the keypad for control (FIG. 1).



FIG. 1 DAS-LLC Line Level Converter

Installation Instructions

1. Connect a small run of 16/4 between the zone output on the Matrix Audio controller and the connector labelled "From Zone" on the DAS-LLC.
2. Connect the 16/4 wire run from the zone's keypad to the connector labelled "To Keypad" on the DAS-LLC.
3. Connect a stereo RCA cable from the Left and Right RCA jacks labelled "To Amplifier" on the DAS-LLC to the RCA inputs on the external amplifier.
4. Connect a small run of 16/4 between the output of the external amplifier and the connector labelled "From Amplifier" on the DAS-LLC.

Wiring Diagram

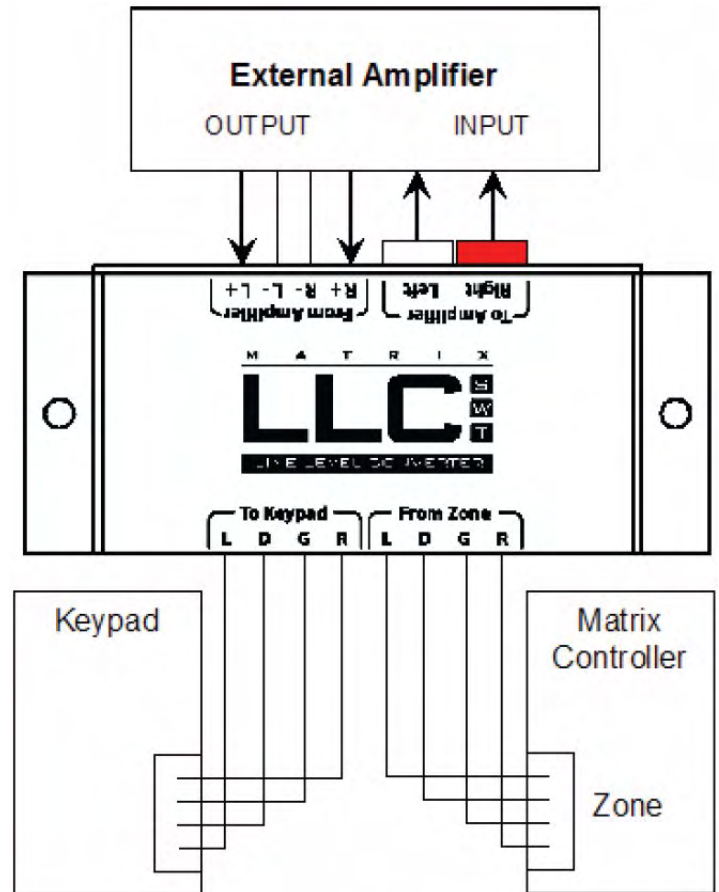


FIG. 2 DAS-LLC Installation Diagram



Free Manuals Download Website

<http://myh66.com>

<http://usermanuals.us>

<http://www.somanuals.com>

<http://www.4manuals.cc>

<http://www.manual-lib.com>

<http://www.404manual.com>

<http://www.luxmanual.com>

<http://aubethermostatmanual.com>

Golf course search by state

<http://golfingnear.com>

Email search by domain

<http://emailbydomain.com>

Auto manuals search

<http://auto.somanuals.com>

TV manuals search

<http://tv.somanuals.com>