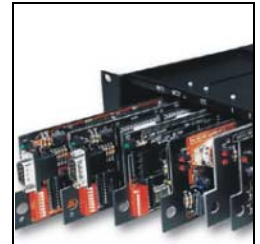




instruction manual

AV2SM

A/V Switcher



Control System Accessories

AMX Limited Warranty and Disclaimer

AMX Corporation warrants its products to be free of defects in material and workmanship under normal use for three (3) years from the date of purchase from AMX Corporation, with the following exceptions:

- Electroluminescent and LCD Control Panels are warranted for three (3) years, except for the display and touch overlay components that are warranted for a period of one (1) year.
- Disk drive mechanisms, pan/tilt heads, power supplies, MX Series products, and KC Series products are warranted for a period of one (1) year.
- Unless otherwise specified, OEM and custom products are warranted for a period of one (1) year.
- Software is warranted for a period of ninety (90) days.
- Batteries and incandescent lamps are not covered under the warranty.

This warranty extends only to products purchased directly from AMX Corporation or an Authorized AMX Dealer.

AMX Corporation is not liable for any damages caused by its products or for the failure of its products to perform. This includes any lost profits, lost savings, incidental damages, or consequential damages. AMX Corporation is not liable for any claim made by a third party or by an AMX Dealer for a third party.

This limitation of liability applies whether damages are sought, or a claim is made, under this warranty or as a tort claim (including negligence and strict product liability), a contract claim, or any other claim. This limitation of liability cannot be waived or amended by any person. This limitation of liability will be effective even if AMX Corporation or an authorized representative of AMX Corporation has been advised of the possibility of any such damages. This limitation of liability, however, will not apply to claims for personal injury.

Some states do not allow a limitation of how long an implied warranty last. Some states do not allow the limitation or exclusion of incidental or consequential damages for consumer products. In such states, the limitation or exclusion of the Limited Warranty may not apply. This Limited Warranty gives the owner specific legal rights. The owner may also have other rights that vary from state to state. The owner is advised to consult applicable state laws for full determination of rights.

EXCEPT AS EXPRESSLY SET FORTH IN THIS WARRANTY, AMX CORPORATION MAKES NO OTHER WARRANTIES, EXPRESSED OR IMPLIED, INCLUDING ANY IMPLIED WARRANTIES OF MERCHANTABILITY OR FITNESS FOR A PARTICULAR PURPOSE. AMX CORPORATION EXPRESSLY DISCLAIMS ALL WARRANTIES NOT STATED IN THIS LIMITED WARRANTY. ANY IMPLIED WARRANTIES THAT MAY BE IMPOSED BY LAW ARE LIMITED TO THE TERMS OF THIS LIMITED WARRANTY.

Table of Contents

Product Information	1
Specifications	1
Installation	3
Automatic and Manual Switching Mode Settings	3
Wiring Guidelines	4
Preparing captive wires.....	4
Video output connector	4
Audio output connector	5
Video A and B input connectors.....	5
Audio A and B Input connectors.....	5

Product Information

The AV2SM A/V Switcher is a media interface device you can set to automatically or manually switch between two A/V input sources, outputting to a display monitor connected to the front panel.

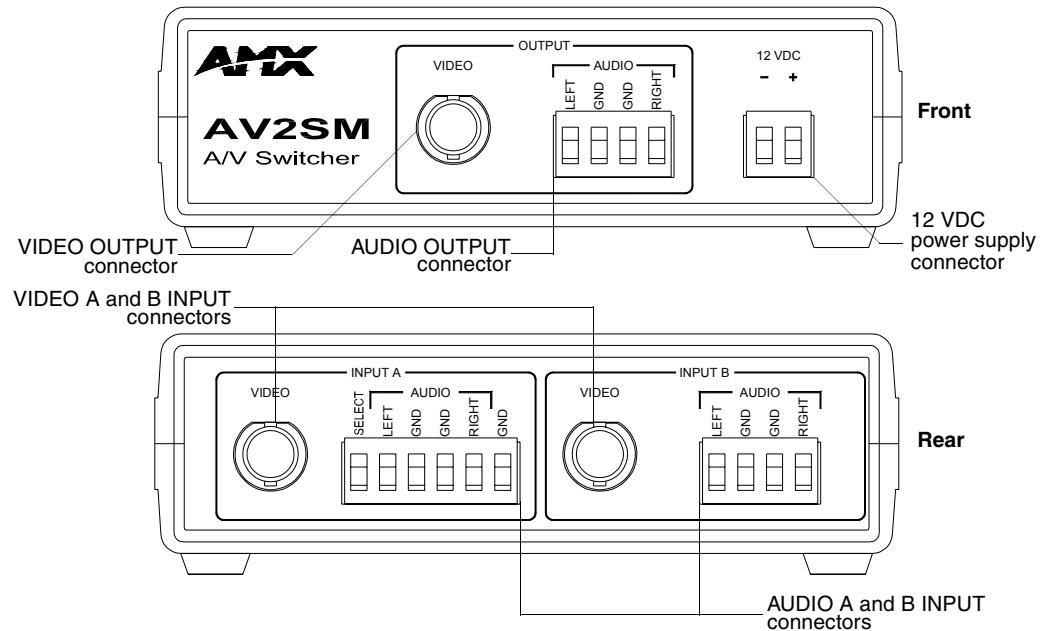


FIG. 1 Front and rear panel components of the AV2SM A/V Switcher

Specifications

Specifications	
Dimensions (HWD)	1.65" x 5.09" x 6.09" (4.19 cm x 12.93 cm x 15.47 cm)
Weight	10.09 oz (286.05 g)
Power Consumption	4.8 W maximum
Bandwidth	Video - 8 MHz Audio - 30 Hz to 20 kHz Video Sync Sense - 15.75 kHz Sensing - 1 kHz to 3 MHz (300 mVrms minimum and 3 MHz to 20 MHz) (700 mVrms minimum)
Front Panel:	
VIDEO OUTPUT	BNC female connector
AUDIO OUTPUT	4-pin cable jack
12 VDC	2-pin 12 VDC connector @ 40 mA maximum for external power supply. The AV2SM can also be powered from an Access Central Controller.

Specifications (Cont.)	
Rear Panel:	
INPUT A VIDEO	BNC female connector
INPUT A AUDIO	6-pin cable jack, audio and control input
INPUT B VIDEO	BNC female connector
INPUT B AUDIO	4-pin cable jack
Captive-wire screw terminals	Allows stereo (unbalanced) line-level audio
Switching Modes:	
Automatic	AV2SM switches to the A source; if no input is detected the AV2SM automatically switches to the B source. If both A and B sources are present, the default is the A source.
Manual	AV2SM determines which source to use based on the state of the SELECT pin on the rear panel.
Enclosure	Molded black matte plastic
Included Accessories	<ul style="list-style-type: none"> • Two 4-pin cable connectors • One 6-pin cable connector • One 2-pin power connector
Optional Accessories	AC-RK Accessory Rack Kit

Installation

You can install the AV2SM on any flat surface that has unobstructed access to both the front and rear panel connectors.

Automatic and Manual Switching Mode Settings

You can select the switching mode by setting two internal jumpers on the circuit card inside the enclosure. You will need a Phillips screwdriver to open the enclosure. To set the switching mode:

1. Discharge the static electricity from your body and screwdriver.
2. Unplug all connectors from the front and rear panel of the AV2SM.
3. Turn the enclosure upside down and remove the two Phillips-head screws.
4. Pull the enclosure apart and turn the bottom half, containing the circuit card, right-side up.
5. Choose the desired switching mode:
 - For automatic mode (FIG. 2), place the 2-pin jumper on the E1 connector pin's one and two. Repeat for the E2 connector.

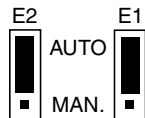


FIG. 2 Automatic mode settings

- For manual mode (FIG. 3), place the 2-pin jumper on the E1 connector pin's 2 and 3. Repeat for the E2 connector.

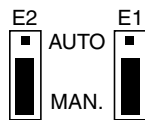


FIG. 3 Manual mode settings

Wiring Guidelines

The maximum wiring distance between the Central Controller and the AV2SM is determined by power consumption, supplied voltage, and the wire gauge used for the cable. The maximum wiring lengths for using AXlink power are based on a minimum of 13.5 volts available at the Central Controller's power supply. The maximum lengths allowable between the AV2SM and the Central Controller are as follows:

Wiring Guidelines	
Wiring size	Maximum wiring length
18	1805.7 ft (550.37 m)
20	1142.4 ft (382.20 m)
22	712.2 ft (217.07 m)
24	448.9 ft (136.82 m)

Preparing captive wires

1. Strip 0.25 inch of wire insulation off all wires.
2. Insert each wire into the appropriate opening on the connector according to the wiring diagrams and connector types described in this section.
3. Tighten the screws to secure the wire in the connector. Do not tighten the screws excessively; doing so may strip the threads and damage the connector.

Video output connector

Connect your output display monitor to the VIDEO connector on the front panel using FIG. 4.

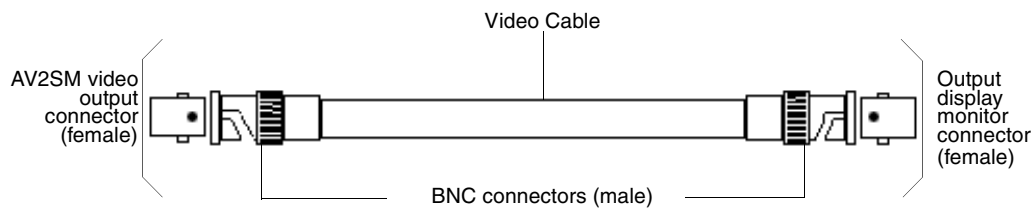


FIG. 4 VIDEO OUTPUT wiring diagram

Audio output connector

Connect your output display monitor to the Audio connector on the front panel using FIG. 5.

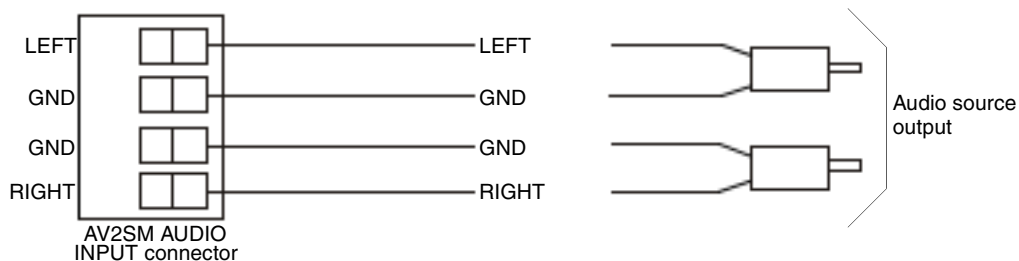


FIG. 5 AUDIO OUTPUT wiring diagram

Video A and B input connectors

Connect your Video Output source to the Input A and B Video connector on the rear panel using FIG. 6.

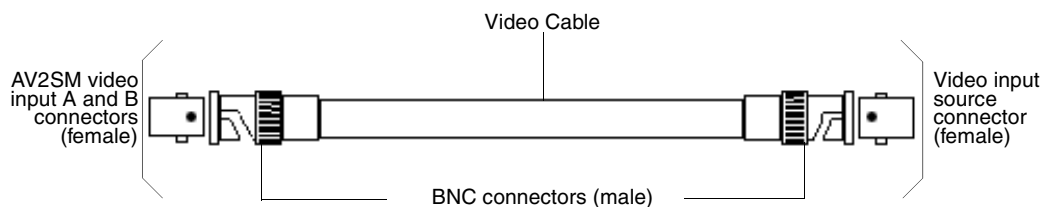


FIG. 6 VIDEO INPUT A and B wiring diagram

Audio A and B Input connectors

Connect the two Audio Output sources to the Input A and B Audio connectors, FIG. 7 illustrates the automatic switching mode; FIG. 8 shows the wiring for manual switching mode. When you use manual switching mode, the Select pin (rear panel) is taken *low* to select the B source and *high* to select the A source. A *low* can be an external relay closure or a voltage level from 0 VDC to 0.8 VDC. A *high* can be an open set of contacts or a voltage level from 3.3 VDC to 12.0 VDC.

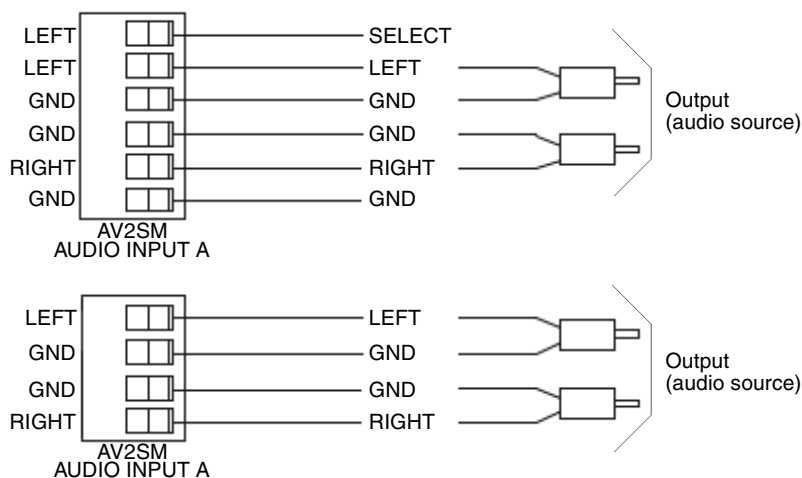


FIG. 7 AUDIO INPUT A and B wiring diagram for automatic switching mode

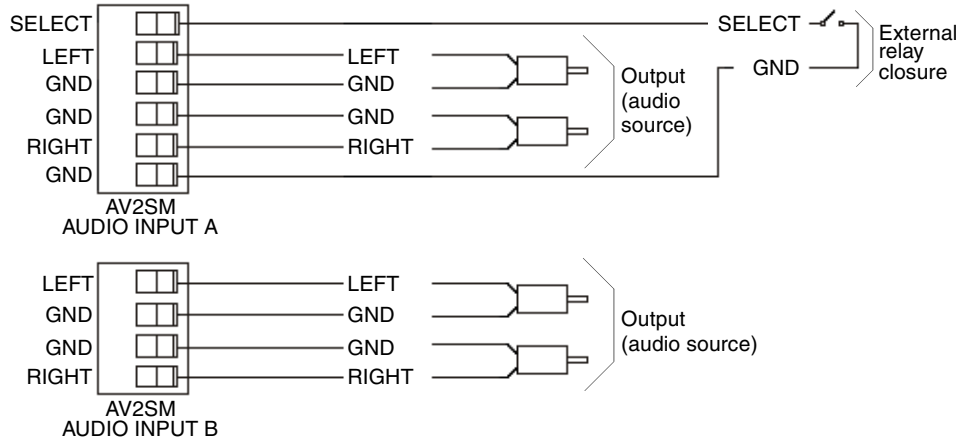


FIG. 8 AUDIO INPUT A and B wiring diagram for manual switching mode



AMX reserves the right to alter specifications without notice at any time.

brussels • dallas • los angeles • mexico city • philadelphia • shanghai • singapore • tampa • toronto • york
3000 research drive, richardson, TX 75082 USA • 469.624.8000 • 800.222.0193 • fax 469.624.7153 • technical support 800.932.6993

041-004-1101 9/01 ©2001 AMX Corporation. All rights reserved. AMX, the AMX logo, the building icon, the home icon, and the light bulb icon are all trademarks of AMX Corporation. AMX reserves the right to alter specifications without notice at any time. In Canada doing business as Pajja Inc.

Free Manuals Download Website

<http://myh66.com>

<http://usermanuals.us>

<http://www.somanuals.com>

<http://www.4manuals.cc>

<http://www.manual-lib.com>

<http://www.404manual.com>

<http://www.luxmanual.com>

<http://aubethermostatmanual.com>

Golf course search by state

<http://golfingnear.com>

Email search by domain

<http://emailbydomain.com>

Auto manuals search

<http://auto.somanuals.com>

TV manuals search

<http://tv.somanuals.com>