

The RDM-2SWM Dual Switch Module is a 20 A general-purpose relay module built for the economical switching of incandescent lamps, switched low-voltage transformers, switched fans, and small motors. It uses positive air gap relays. The RDM-2SWM is designed for use with the RDA series of enclosures, in an AMX Lighting™ modular digital dimming system. This module's 120, 240, and 277 VAC ratings are CE, UL, and C-UL approved.

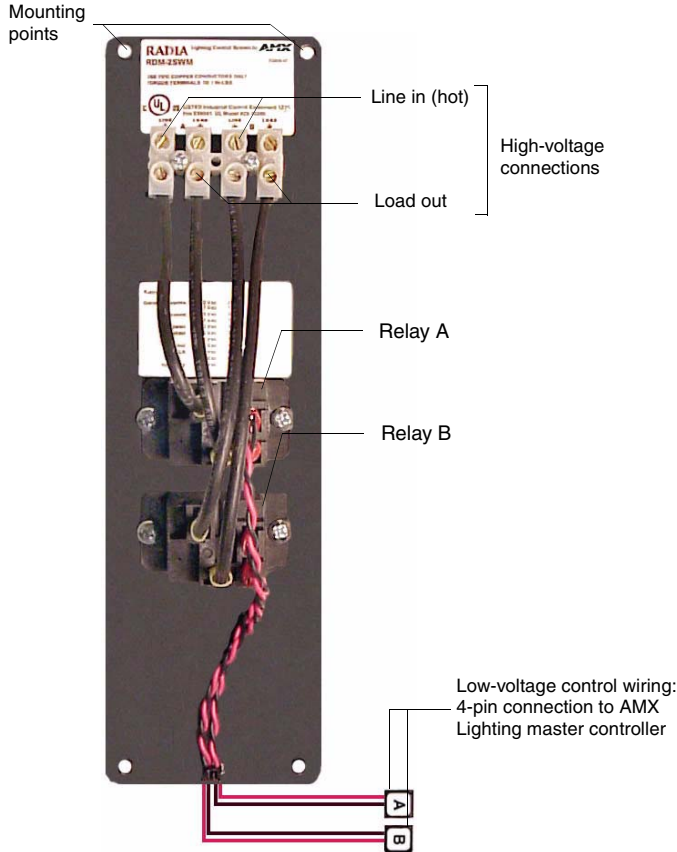


FIG. 1 RDM-2SWM Dual Switch Module

RDM-2SWM UL and C-UL Ratings (per circuit)

- General purpose: 2400 W
- Resistive: 2400 W
- Ballast: 2400 W
- Motor: 277 VAC, 1 hp

Suggested Switched Loads

- Incandescent
- Low-voltage
- Motors
- Switched outlets
- Fluorescent

Specifications

- Dimensions (HW): 10.00" x 2.75" (25.40 cm x 6.99 cm)
- Non-phase dependant
- Use wires rated at 75°C (167°F)
- Torque terminals to 7 in-lbs. (0.8 N/M)
- Max. wire size: 10 AWG (4 mm²)
- Wire stripping length: 0.28" (7 mm)
- Weight: 0.75 lbs. (0.34 kg)
- BTU/hr: 5 each, 10 total
- Control current: 85 mA per relay (170 mA total) @ 12 VDC

Caution: Pre-Installation Notes

- All Class 1 wiring must be connected to proper terminals.
- All control wiring must be connected to proper terminals.
- Disconnect power while installing or connecting the unit.
- Keep top and bottom air vents clear at all times.
- Test loads for shorts before connecting.
- Use low-voltage wires with a 300 volt rating or greater.
- Use field installed copper conductors.
- All electrical ratings are for continuous duty.
- For indoor use only.
- This module may require extra power from the AXlink connection or an external power supply connected to the control card.

Connecting the RDM-2SWM to the AMX Lighting Master

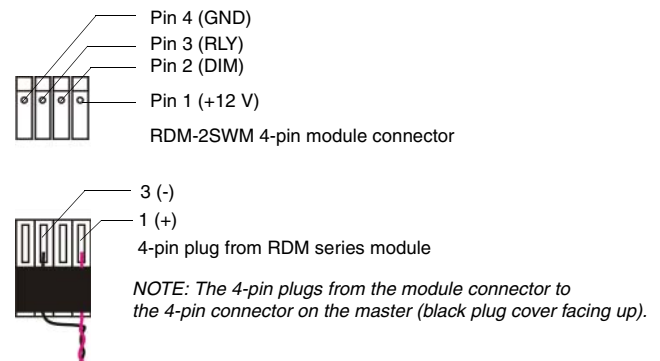


FIG. 2 RDM-2SWM connections

Lighting Application Drawings

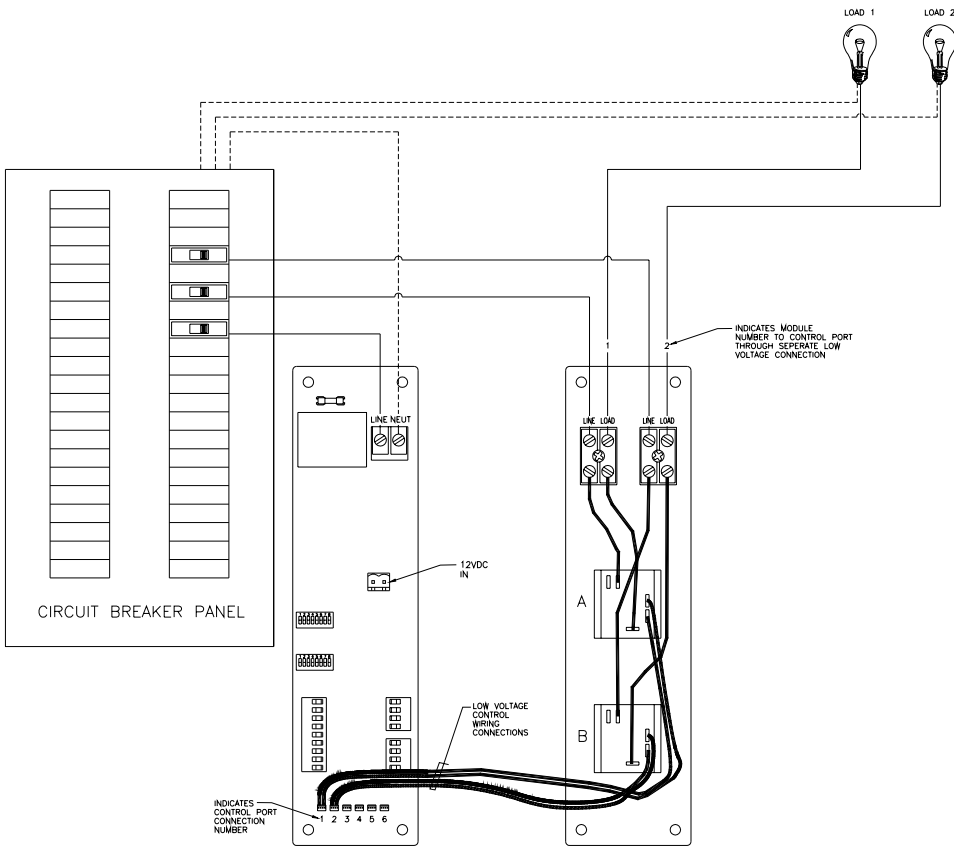


FIG. 3 RDM-2SWM Dual Switch Module 2400 (x2) line wiring configuration

AMX Corporation reserves the right to alter specifications without notice at any time.
For full warranty information, refer to the AMX Instruction Manual(s) associated with your Product(s).

043-019-2200 2/02 ©2002 AMX Corporation. All rights reserved.

The AMX logo is a trademark of AMX Corporation. AMX reserves the right to alter specifications without notice at any time.
3000 research drive, richardson, TX 75082 USA • 469.624.8000 • 800.222.0193 • fax 469.624.7153 • technical support 800.932.6993



Free Manuals Download Website

<http://myh66.com>

<http://usermanuals.us>

<http://www.somanuals.com>

<http://www.4manuals.cc>

<http://www.manual-lib.com>

<http://www.404manual.com>

<http://www.luxmanual.com>

<http://aubethermostatmanual.com>

Golf course search by state

<http://golfingnear.com>

Email search by domain

<http://emailbydomain.com>

Auto manuals search

<http://auto.somanuals.com>

TV manuals search

<http://tv.somanuals.com>