

Overview

The CB-MVP-WCS52 Rough-In Box allows the MVP-WCS-52 (5.2" Modero ViewPoint Wall Charging Station) to be installed in a solid surface (e.g., wall or podium).

Specifications

CB-MVP-WCS52 (FG037-11) Specifications	
Dimensions (HWD):	<ul style="list-style-type: none"> • 5 11/16" x 8 3/8" x 1 1/2" • 144.4 mm x 212.2 mm x 38.1 mm
Certifications	<ul style="list-style-type: none"> • cTUVus Listed

WARNING: INSTALLER, LEAVE A GAP BETWEEN THE STUD AND ROUGH-IN BOX TO ACCOMMODATE THE DRYWALL/SHEETROCK. This gap allows the installation of the drywall/sheetrock after the CB-MVP-WCS52 has been mounted onto the beams. The stud notching and Rough-In Box installation must be done prior to any wall installation.

Note: The most important thing to remember when mounting this Rough-In Box is that the mounting tabs must be mounted flush against the outside of the sheetrock. This step determines whether or not the mounting stud is notched (cutout-out to fit the Rough-In Box).

Installing the CB-MVP-WCS52

The CB-MVP-WCS52 Rough-In Box is 10 inches (25.40cm) wide at its widest dimension (wider than the bezel of the Wall Charging Station), and is only intended for pre construction installations (FIG. 1). Refer to SP5966-01 for detailed dimensions and installation specifications (see reverse)

The Rough-In Box is used in conjunction with the Wall Charging Station's plastic back box.

The Rough-In Box must be located behind 3/8" (0.95cm) to 3/4" (1.91cm) of wall/ mounting surface material.

Note: Ensure that the Rough-In Box is flush with the 2x4 studs. Any overhang will affect the installation of the covering sheetrock, as well as affect the placement of the Plastic Back Box. The Rough-In Box has two sets of knockouts in the top and bottom, one of the set for US wiring and one for international wiring.

Note: Make sure that the power cable has been pulled through the Rough-In Box by the resident electrician before continuing the installation.

After completing the installation of the Rough-In Box, install sheet rock or other wall material over the box, cut a hole matching the size of the inside diameter in the sheet rock, and clean out all dust before proceeding with the installation of the plastic back box.

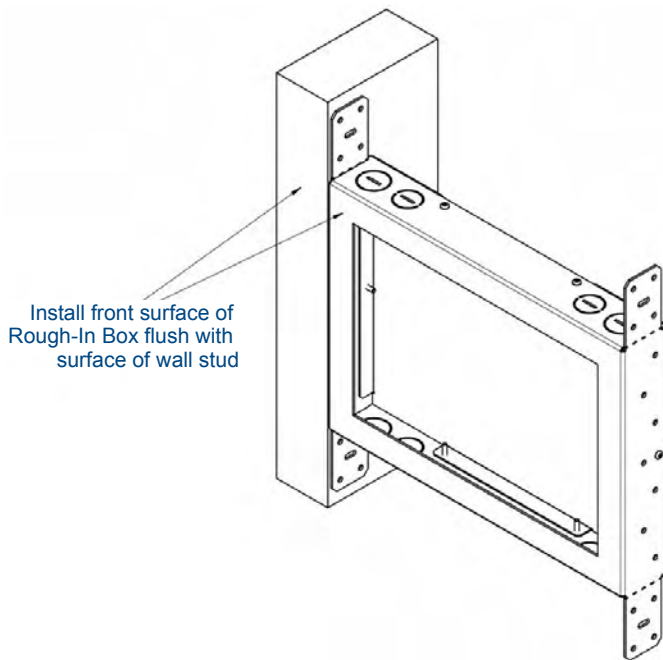
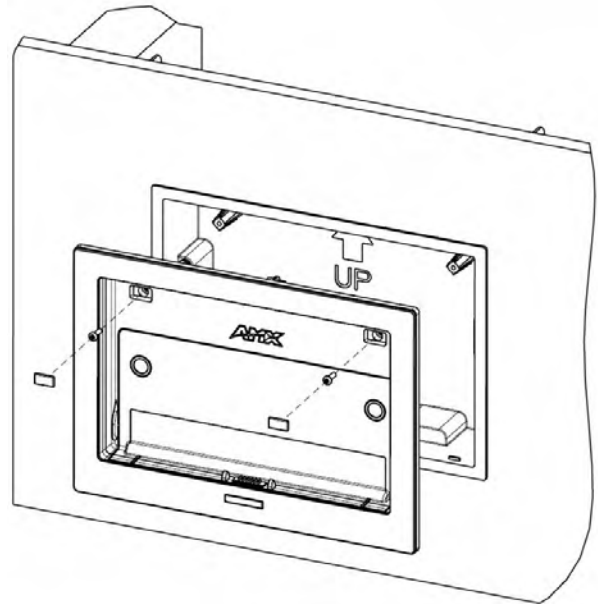


FIG. 1 Typical CB-MVP-WCS52 Installation

The Rough-In Box bears a wing on each corner which is intended to bridge gaps between studs and/or spacers. These wings may be bent carefully in order to fit a particular gap, but may not be so bent as to allow the box to hang in a vertical position.

Once placed in the desired position, put at least one screw through each wing into the adjoining stud or spacer to secure it.

The interior of the Rough-In Box contains a set of holes on either side, as well as top and bottom, for standard 1/4-inch screws. Use these holes to anchor the box to its adjoining studs or spacers.

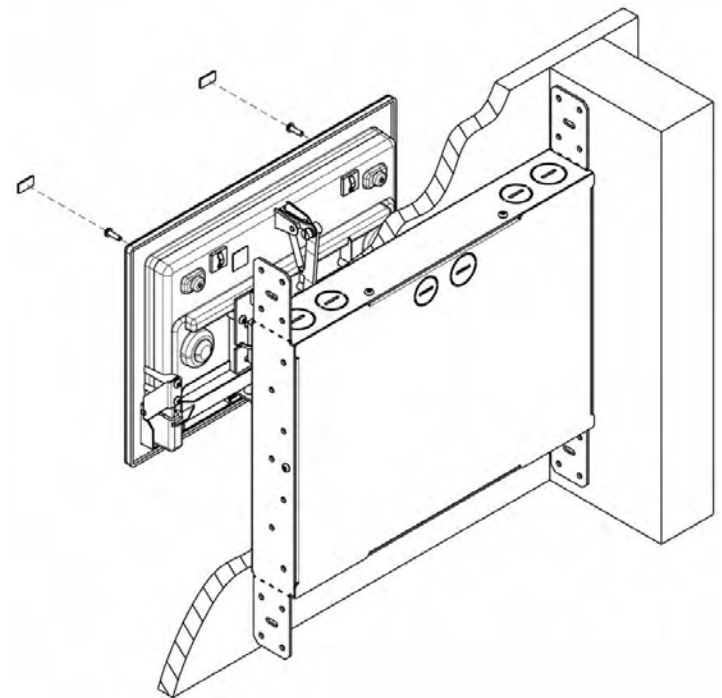
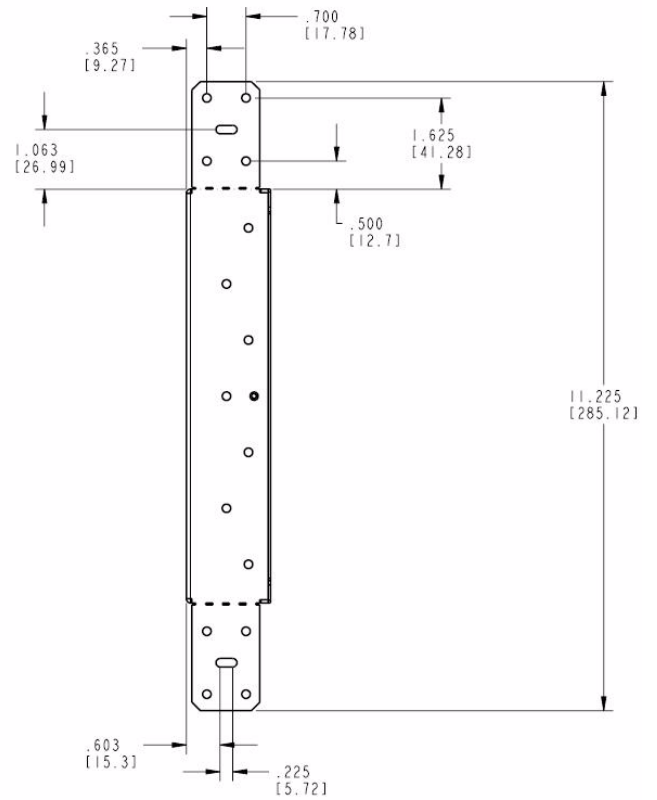
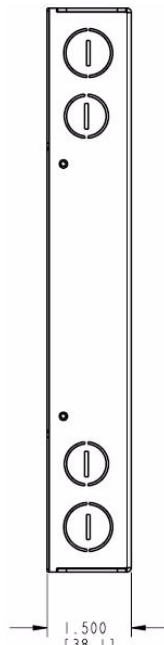
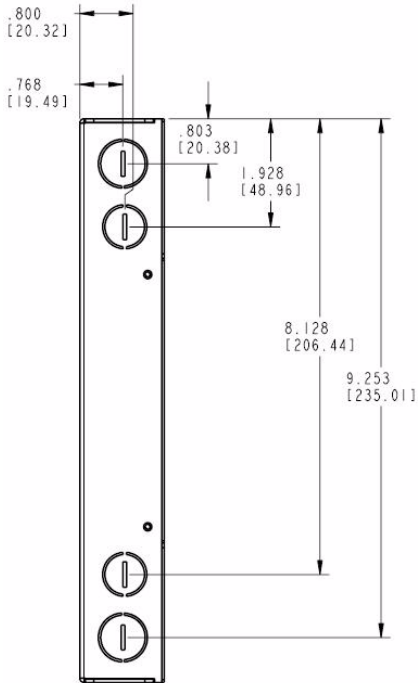
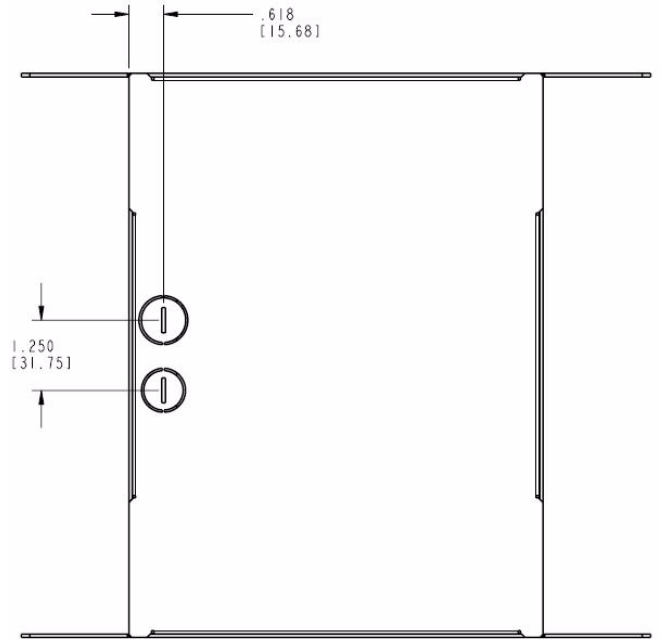
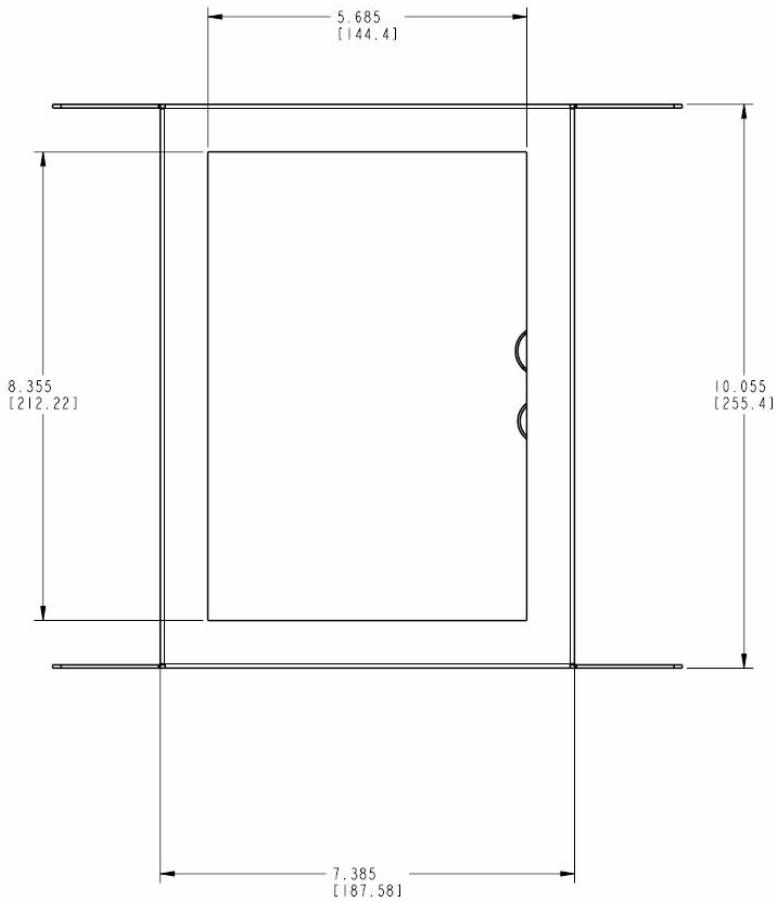


FIG. 2 Installation of Wall Unit



For full warranty information, refer to the AMX Instruction Manual(s) associated with your Product(s).

93-037-11 REV: A

10/08

©2008 AMX. All rights reserved. AMX and the AMX logo are registered trademarks of AMX.
AMX reserves the right to alter specifications without notice at any time.

3000 RESEARCH DRIVE, RICHARDSON, TX 75082 • 800.222.0193 • fax 469.624.7153 • technical support 800.932.6993 • www.amx.com



Free Manuals Download Website

<http://myh66.com>

<http://usermanuals.us>

<http://www.somanuals.com>

<http://www.4manuals.cc>

<http://www.manual-lib.com>

<http://www.404manual.com>

<http://www.luxmanual.com>

<http://aubethermostatmanual.com>

Golf course search by state

<http://golfingnear.com>

Email search by domain

<http://emailbydomain.com>

Auto manuals search

<http://auto.somanuals.com>

TV manuals search

<http://tv.somanuals.com>