

### Overview

Wall Mount panels (NXDs) are contained within a metallic outer housing (back box). This back box is **not removed** when installing the NXD into a Rough-In Box (CB-TP17). The back box is **only** removed to gain access for the replacement of the Compact Flash component or upgrade to the VESA housing.

The CB-TP17 Rough-In Box is an optional metallic box that is secured onto a beam in a pre-wall setting (where no walls or present). Installation procedures and configurations can vary.

### Specifications

CB-TP17 (FG034-10) Specifications	
Dimensions (HWD)	<ul style="list-style-type: none"> <li>• 13.55" x 17.07" x 3.49"</li> <li>• 34.43 cm x 43.38 cm x 8.85 cm</li> </ul>
Included Accessories	<ul style="list-style-type: none"> <li>• Rough-In Box Installation Kit (SA2001-02)</li> <li>• 4 Phillips pan-head (#4-40 x 0.375 Black) screws (80-0115)</li> <li>• 4 Phillips pan-head (#4-40 x 0.625 Black) screws (80-0118)</li> </ul>
Certifications	• cTUVus Listed

**WARNING: INSTALLER, LEAVE A GAP BETWEEN THE STUD AND ROUGH-IN BOX TO ACCOMMODATE THE DRYWALL/SHEETROCK.**

*This gap allows the installation of the drywall/sheetrock after the CB-TP17 has been mounted onto the beams. The stud notching and Rough-In Box installation must be done prior to any wall installation.*

**Note:** The most important thing to remember when mounting this Rough-In Box is that the mounting tabs must be mounted flush against the outside of the sheetrock. This step determines whether or not the mounting stud is notched (cutout-out to fit the Rough-In Box).

### Pre-Wall Installation of the CB-TP17 Rough-In Box

1. Measure the distance between the inside of the two selected stud beams. Most beams have a distance of about 14" to 16". This is too narrow to accommodate the 17.072" (43.36 cm) wide CB-TP17 Rough-In Box.
2. Determine whether one or both of the selected stud beams must be notched (FIG. 2). The determining factor is the flush alignment of the mounting tabs along the outside of the post-wall sheetrock.
3. Cutout the notched beam using a height of 13.554" (34.43 cm) (as shown in FIG. 2) and a depth **equal to the thickness of the drywall**.

**Note:** The determining factor in the depth of the cut into the beam is the thickness of the drywall. The mounting tabs **MUST BE FLUSH** against the drywall and therefore, the depth of the notch depends on that thickness.

4. Insert one side of the Rough-In Box into the indentation on the notched stud and rest the other side of the box against the opposite beam.
5. Install and secure a shorter horizontal beam below the Rough-In Box. This beam acts to support the weight of the box from below and should be secured to both vertical beams (at the sides).
6. Fasten the CB-TP17 to the **Notched stud/beam** through the stud fastening holes, located on the inside of the Rough-In Box (FIG. 3), by using either nails or screws.
7. Insert a perpendicular block between the **Non-Notched stud/beam** and the Rough-In Box. This block acts as a bridge to secure the stud/beam to the CB-TP17 along the stud fastening holes located inside of the box.
8. Secure the perpendicular block to the **Non-Notched stud/beam** (FIG. 3) by using either nails or screws.
9. Fasten the CB-TP17 to the **block** through the stud fastening holes, located on the inside of the Rough-In Box (FIG. 3), by using either nails or screws.
10. Remove any necessary wiring knockouts from the (optional) Rough-In Box (CB-TP17) (FIG. 3) where the necessary cables are threaded through for connection to the touch panel.
11. Thread the incoming RJ-45, Ethernet, and any other audio/video wiring through the knockouts (use of the top or bottom knockouts are recommended with this installation).
12. Install the drywall/sheetrock before inserting the main NXD unit into the CB-TP17.

### Installing the 17" panel within a CB-TP17 Rough-In Box

The Rough-In Box must be mounted prior to continuing this section. Verify that all necessary cables have been threaded through the knockouts on the Rough-In Box and the connections have been tested prior to installation of the 17" panel.

1. Remove the magnetic faceplate/bezel (**A** in FIG. 1) from the main NXD unit (**B** in FIG. 1) by gripping the faceplate and pulling with gentle outward force.
2. Verify the incoming RJ-45, Ethernet, and any other audio/video cables have been properly threaded through the wiring knockouts on the left of the Rough-In Box. Leave enough slack in the wiring to accommodate any re-positioning of the panel.
3. Connect all data and power wiring connectors to their corresponding locations along the side of the (un-powered) NXD touch panel.
  - Verify the terminal end of the power cable is not connected to a power supply before plugging in the 2-pin power connector.
  - The USB connectors can be from either a USB extension cable, or a wireless USB RF transmitter.

**Note:** Don't disconnect the connectors from the touch panel. The unit must be installed with the attached connectors before being inserted into the CB.

4. Test the incoming wiring by connecting the panel connections to their terminal locations and applying power. Verify the panel is receiving power and functioning properly to prevent repetition of the installation.
5. Disconnect the terminal end of the power cable from the connected PSN power supply.
6. Carefully slide the main NXD unit (**B** in FIG. 1) into the Rough-In Box, so the Mounting Tab lies flush against the Rough-In Box (**C** in FIG. 1).
7. Insert and secure four securing #8 flat-head Mounting Screws into their corresponding holes located along the sides of the NXD. *These #8 screws are not included within the CB Installation Kit.*
8. Replace the magnet faceplate (**A** in FIG. 1) back onto the main NXD unit. Make sure to align the Microphone, Light, and PIR Motion sensor locations to their respective openings on the front bezel/faceplate.
9. Connect the terminal RJ-45, Ethernet, and any optional audio/video wiring to their respective locations (outside the Rough-In Box) on either the AVB breakout box, Ethernet port, or NetLinX Master.
10. Reconnect the terminal power connector on the PSN and apply power.

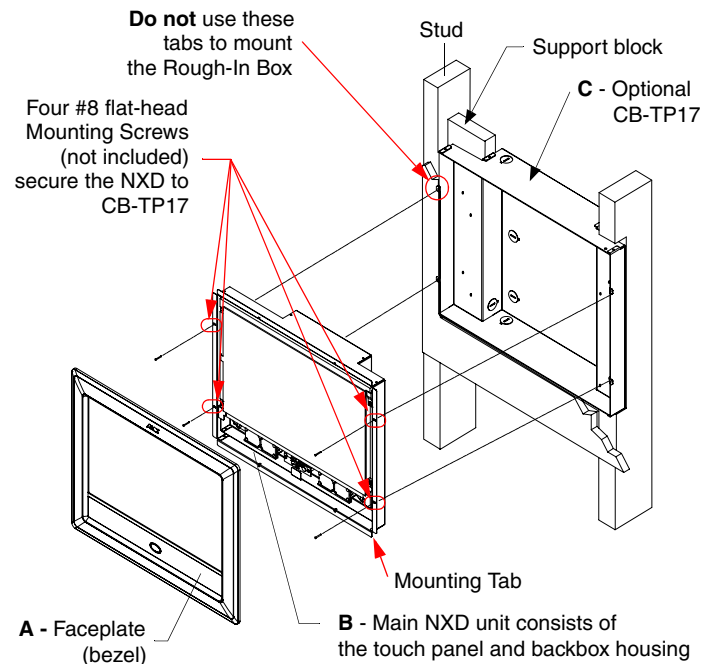


FIG. 1 Wall Mount panel installation configuration of a CB-TP17

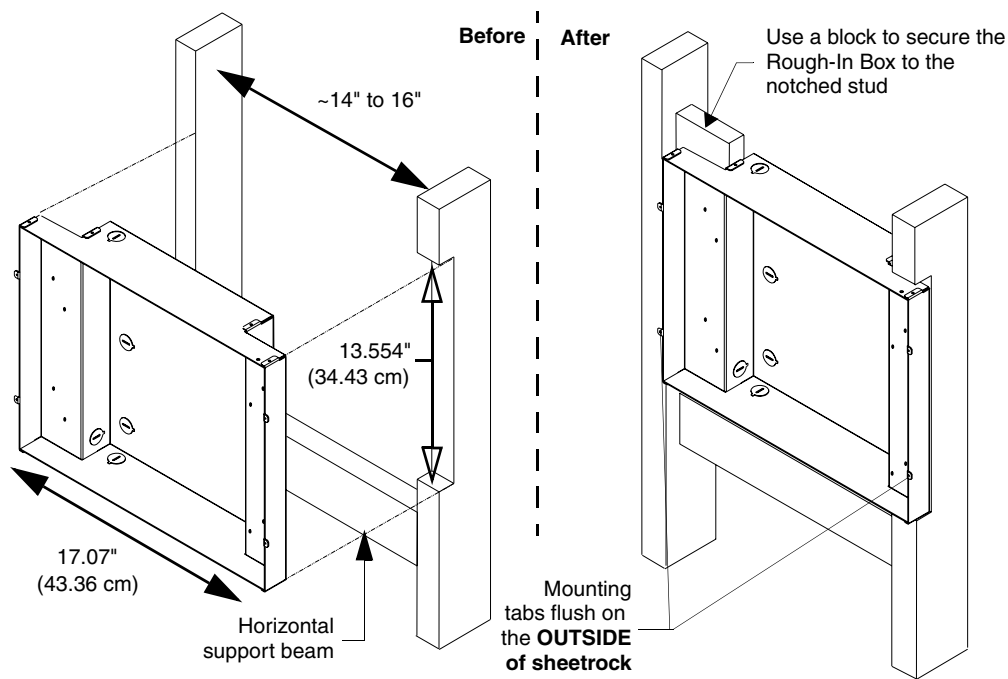


FIG. 2 CB-TP17 Rough-In Box installation into a notched stud (showing before and after installation)

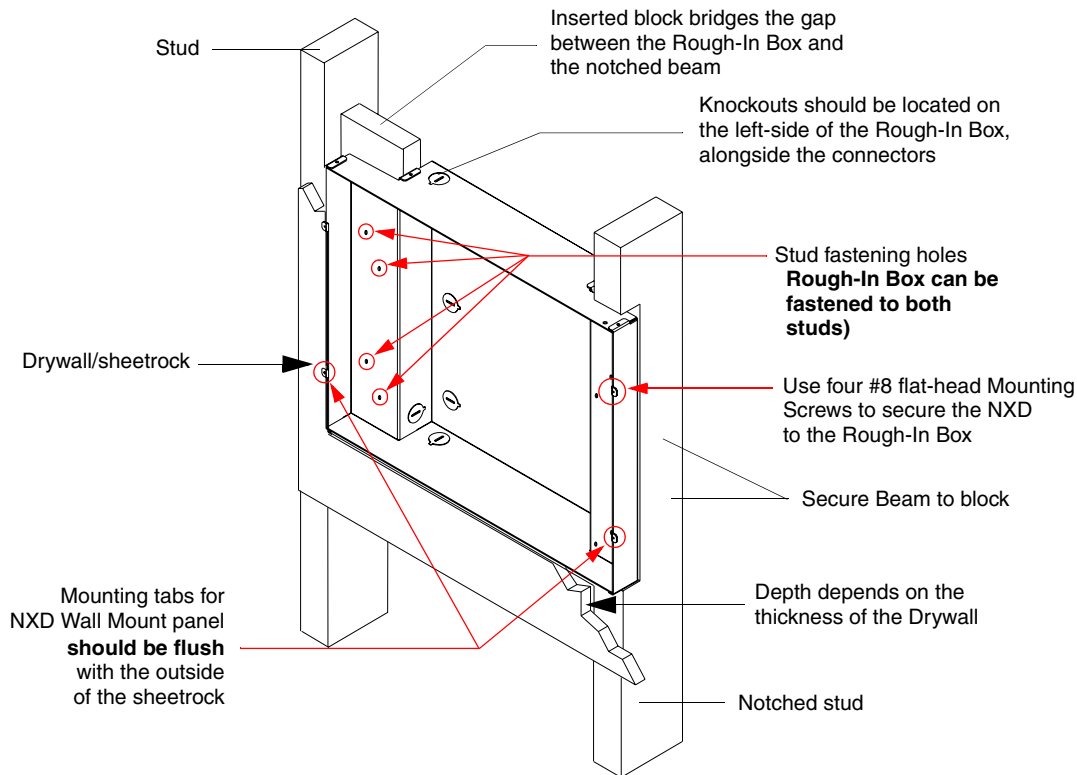


FIG. 3 Screw locations for Rough-In Box attachment in a pre-wall installation

## Free Manuals Download Website

<http://myh66.com>

<http://usermanuals.us>

<http://www.somanuals.com>

<http://www.4manuals.cc>

<http://www.manual-lib.com>

<http://www.404manual.com>

<http://www.luxmanual.com>

<http://aubethermostatmanual.com>

Golf course search by state

<http://golfingnear.com>

Email search by domain

<http://emailbydomain.com>

Auto manuals search

<http://auto.somanuals.com>

TV manuals search

<http://tv.somanuals.com>