

The RDM-INC50 Incandescent Dimmer Module is a standard 6000 W incandescent dimmer. It can dim incandescent lights, cold-cathode, neon transformers and two-wire dimmable ballasts. It is designed for use with the RDA series of enclosures, in a AMX Lighting™ modular digital dimming system. The RDM-INC50 module's 120, 240, and 277 VAC ratings are CE, UL, and C-UL approved.

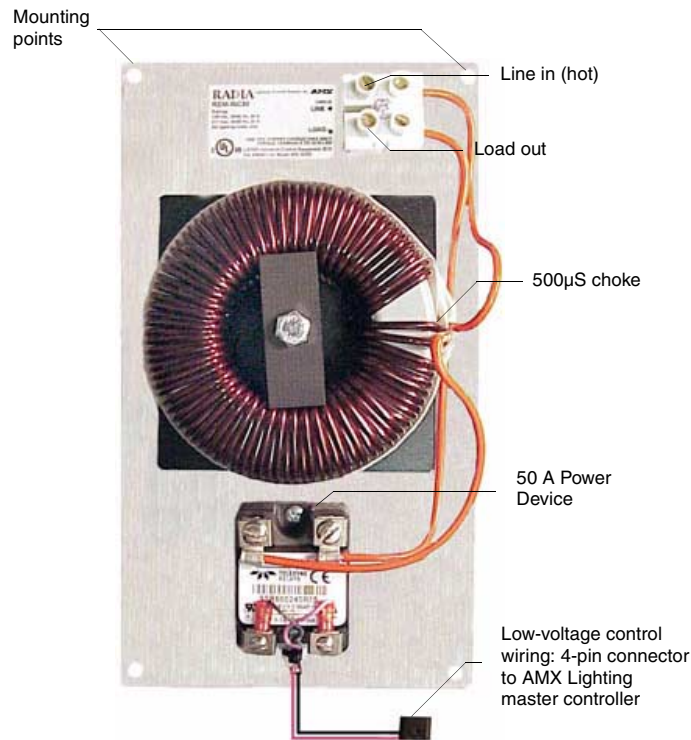


FIG. 1 RDM-INC50

RDM-INC50 UL and C-UL Ratings

- 120 VAC, 6000 W
- 240/277 VAC, 6000 W

Suggested Dimmed Loads

- Incandescent
- Low-voltage
- Neon, cold cathode
- Two-wire, phase-controlled ballast

Specifications:

- Dimensions (HW): 10.0" x 5.50" (25.4 cm x 13.97 cm)
- Phase dependant
- Use wires rated at 75°C (167°F)
- Torque terminals to 16 in-lbs. (1.84 N/M)
- Max. wire size: 8 AWG (10 mm²)
- Wire stripping length: 0.28" (7 mm)
- Weight: 7.0 lbs. (3.175 kg)
- BTU/hr: 750
- Control current: 45 mA @ 12 VDC
- Occupies two enclosure spaces

Caution: Pre-Installation Notes

- All Class 1 wiring must be connected to proper terminals.
- All control wiring must be connected to proper terminals.
- Disconnect power while installing or connecting the unit.
- Keep top and bottom air vents clear at all times.
- Test loads for shorts before connecting.
- Run all control and low-voltage wires away from heat producing parts of the dimmer.
- Each dimming circuit must have a separate neutral connection.
- Use low-voltage wires with a 300 volt rating or greater.
- Use field installed copper conductors.

- All electrical ratings are for continuous duty.
- AC lighting loads only.
- For indoor use only.
- This module may require extra power from the AXlink connection or an external power supply connected to the control card.

Connecting the RDM-INC50 to the AMX Lighting Master

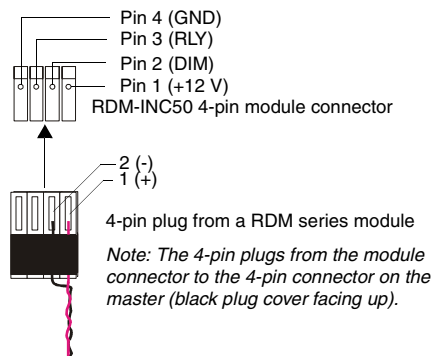


FIG. 2 RDM-INC50 connections

Lighting Application Drawing

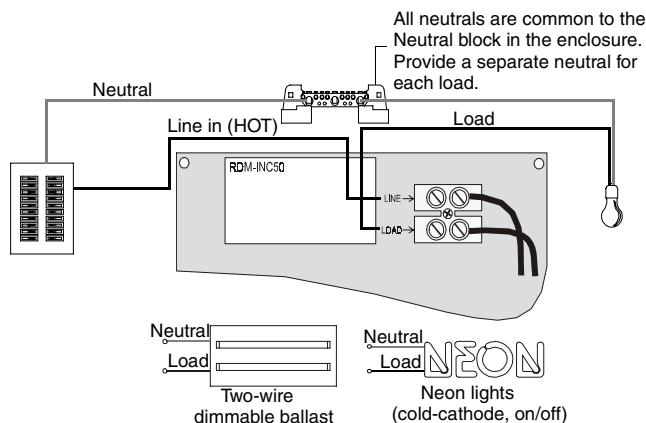


FIG. 3 RDM-INC50 wiring application

AMX Corporation reserves the right to alter specifications without notice at any time.
For full warranty information, refer to the AMX Instruction Manual(s) associated with your Product(s).
043-019-2247 8/01 ©2001 AMX Corporation. All rights reserved.

The AMX logo is a trademark of AMX Corporation. AMX Corporation reserves the right to alter specifications without notice at any time.
3000 research drive, richardson, TX 75082 USA • 469.624.8000 • 800.222.0193 • fax 469.624.7153 • technical support 800.932.6993



Free Manuals Download Website

<http://myh66.com>

<http://usermanuals.us>

<http://www.somanuals.com>

<http://www.4manuals.cc>

<http://www.manual-lib.com>

<http://www.404manual.com>

<http://www.luxmanual.com>

<http://aubethermostatmanual.com>

Golf course search by state

<http://golfingnear.com>

Email search by domain

<http://emailbydomain.com>

Auto manuals search

<http://auto.somanuals.com>

TV manuals search

<http://tv.somanuals.com>