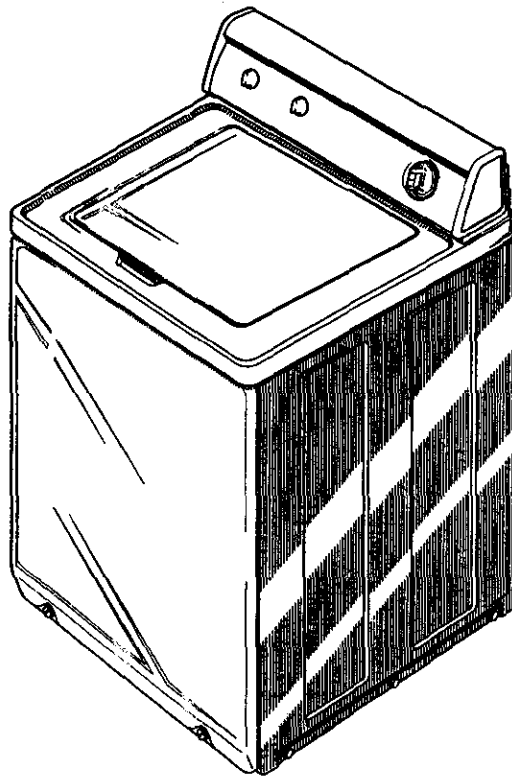


Service

Manual for Automatic Washers

Service Manual for
Amana®



W424SE1A

This manual is to be used by qualified appliance technicians only. Amana does not assume any responsibility for property damage or personal injury for improper service procedures done by an unqualified person.

Amana

Models and manufacturing numbers in this manual

LWA50AL	PLWA50AL
LWA50AW	PLWA50AW
LWA65AL	PLWA65AL
LWA65AW	PLWA65AW
LWA90AL	PLWA90AL
LWA90AW	PLWA90AW
LWD67AL	PLWD67AL
LWD67AW	PLWD67AW
LWD70AL	PLWD70AL
LWD70AW	PLWD70AW

RS3100006
Revision 1
39011
April 1999



WARNING

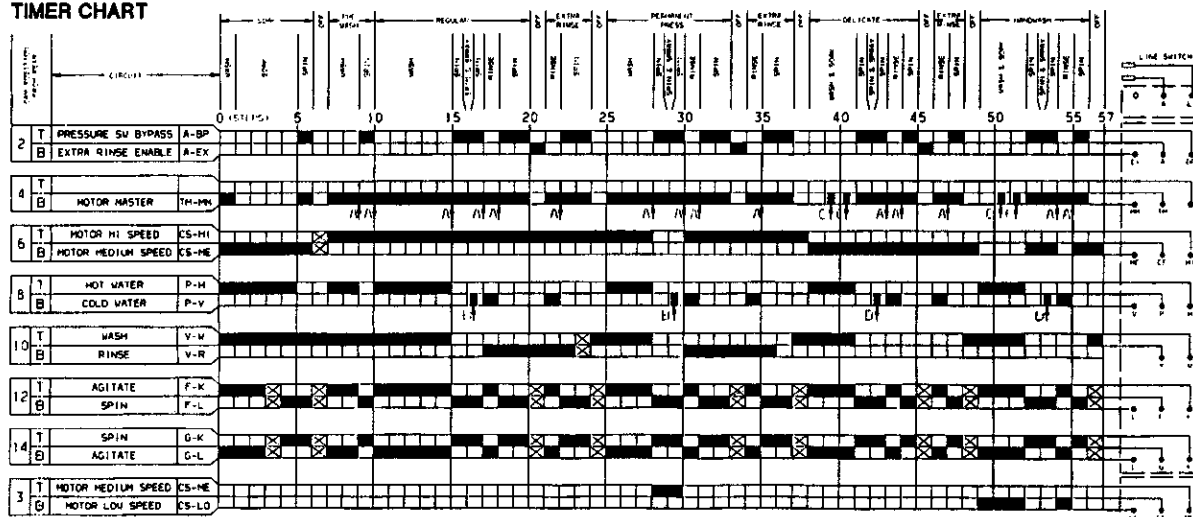
Failure to install, maintain, and/or operate this machine according to the manufacturer's instructions may result in conditions which can produce bodily injury and/or property damage.

W030

MODELS LWD70A*

11-9

TIMER CHART



- KEY
- "A" MOTOR OFF APPROX. 24 SECONDS
 - "B" WATER ON APPROX. 24 SECONDS
 - "C" MOTOR ON APPROX. 24 SECONDS
 - "D" WATER ON APPROX. 22 SECONDS
 - ONE STEP EQUALS APPROX. 180 SEC

WASH HOUSING WIRE POSITION

1	2	3
4	5	6
7	8	9
10	11	12
13	14	15
16	17	18
19	20	21
22	23	24
25	26	27
28	29	30
31	32	33
34	35	36
37	38	39
40	41	42
43	44	45
46	47	48
49	50	51
52	53	54
55	56	57

THIS MACHINE WORKS ON 120V AC. IF THE FOLLOWING PARTS ARE USED, THE MOTOR WILL NOT RUN. USE THE FOLLOWING PARTS:

- 1. MOTOR (MOTOR)
- 2. MOTOR (MOTOR)
- 3. MOTOR (MOTOR)
- 4. MOTOR (MOTOR)
- 5. MOTOR (MOTOR)
- 6. MOTOR (MOTOR)
- 7. MOTOR (MOTOR)
- 8. MOTOR (MOTOR)
- 9. MOTOR (MOTOR)
- 10. MOTOR (MOTOR)
- 11. MOTOR (MOTOR)
- 12. MOTOR (MOTOR)
- 13. MOTOR (MOTOR)
- 14. MOTOR (MOTOR)
- 15. MOTOR (MOTOR)
- 16. MOTOR (MOTOR)
- 17. MOTOR (MOTOR)
- 18. MOTOR (MOTOR)
- 19. MOTOR (MOTOR)
- 20. MOTOR (MOTOR)
- 21. MOTOR (MOTOR)
- 22. MOTOR (MOTOR)
- 23. MOTOR (MOTOR)
- 24. MOTOR (MOTOR)
- 25. MOTOR (MOTOR)
- 26. MOTOR (MOTOR)
- 27. MOTOR (MOTOR)
- 28. MOTOR (MOTOR)
- 29. MOTOR (MOTOR)
- 30. MOTOR (MOTOR)
- 31. MOTOR (MOTOR)
- 32. MOTOR (MOTOR)
- 33. MOTOR (MOTOR)
- 34. MOTOR (MOTOR)
- 35. MOTOR (MOTOR)
- 36. MOTOR (MOTOR)
- 37. MOTOR (MOTOR)
- 38. MOTOR (MOTOR)
- 39. MOTOR (MOTOR)
- 40. MOTOR (MOTOR)
- 41. MOTOR (MOTOR)
- 42. MOTOR (MOTOR)
- 43. MOTOR (MOTOR)
- 44. MOTOR (MOTOR)
- 45. MOTOR (MOTOR)
- 46. MOTOR (MOTOR)
- 47. MOTOR (MOTOR)
- 48. MOTOR (MOTOR)
- 49. MOTOR (MOTOR)
- 50. MOTOR (MOTOR)
- 51. MOTOR (MOTOR)
- 52. MOTOR (MOTOR)
- 53. MOTOR (MOTOR)
- 54. MOTOR (MOTOR)
- 55. MOTOR (MOTOR)
- 56. MOTOR (MOTOR)
- 57. MOTOR (MOTOR)

- CONTACT IS OPEN
- CONTACT IS CLOSED
- ⊗ CONTACT IS OPEN IN OTHER DIRECTION

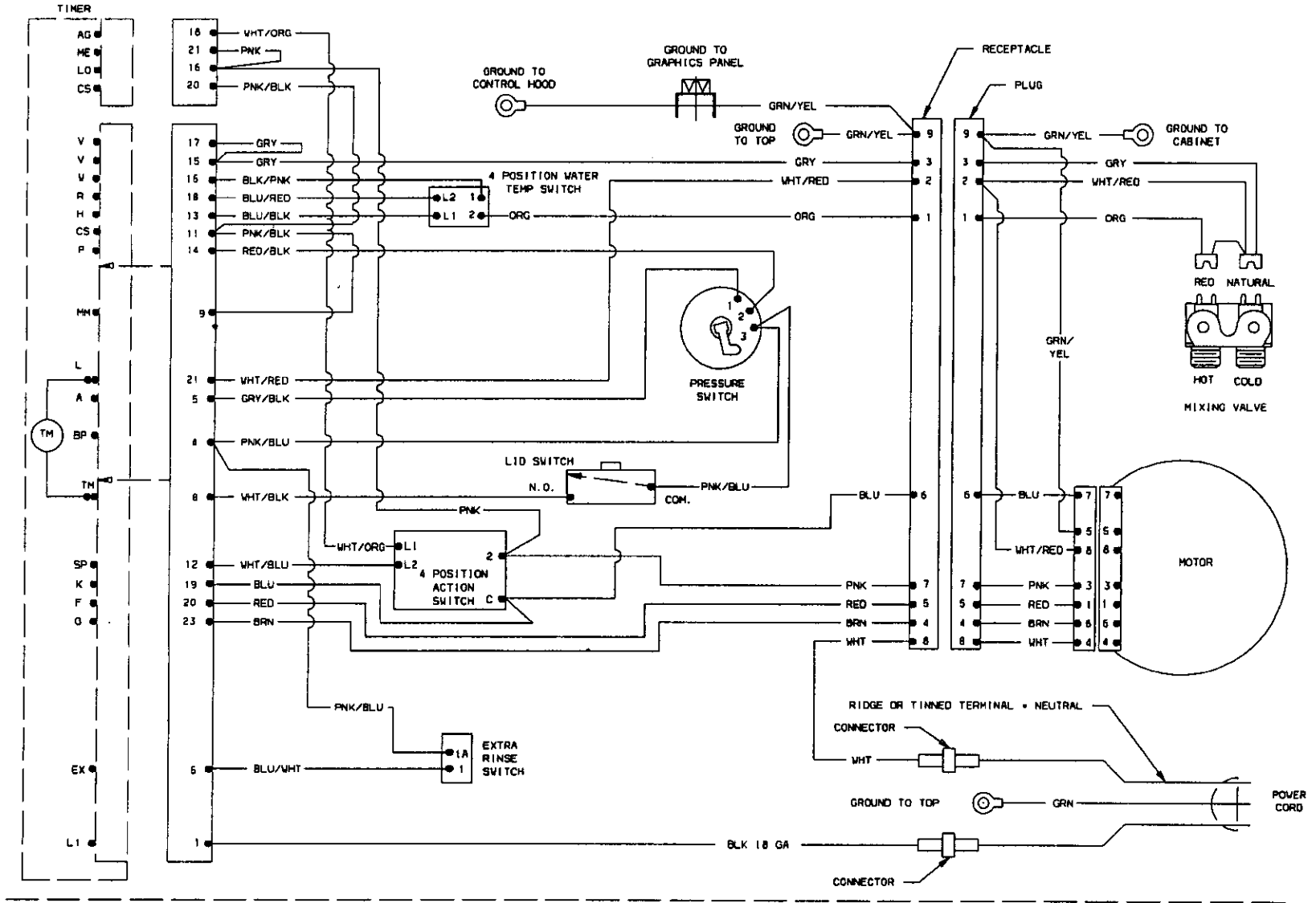
WASH HOUSING WIRE POSITION

RS3100006 (39011) Rev. 0

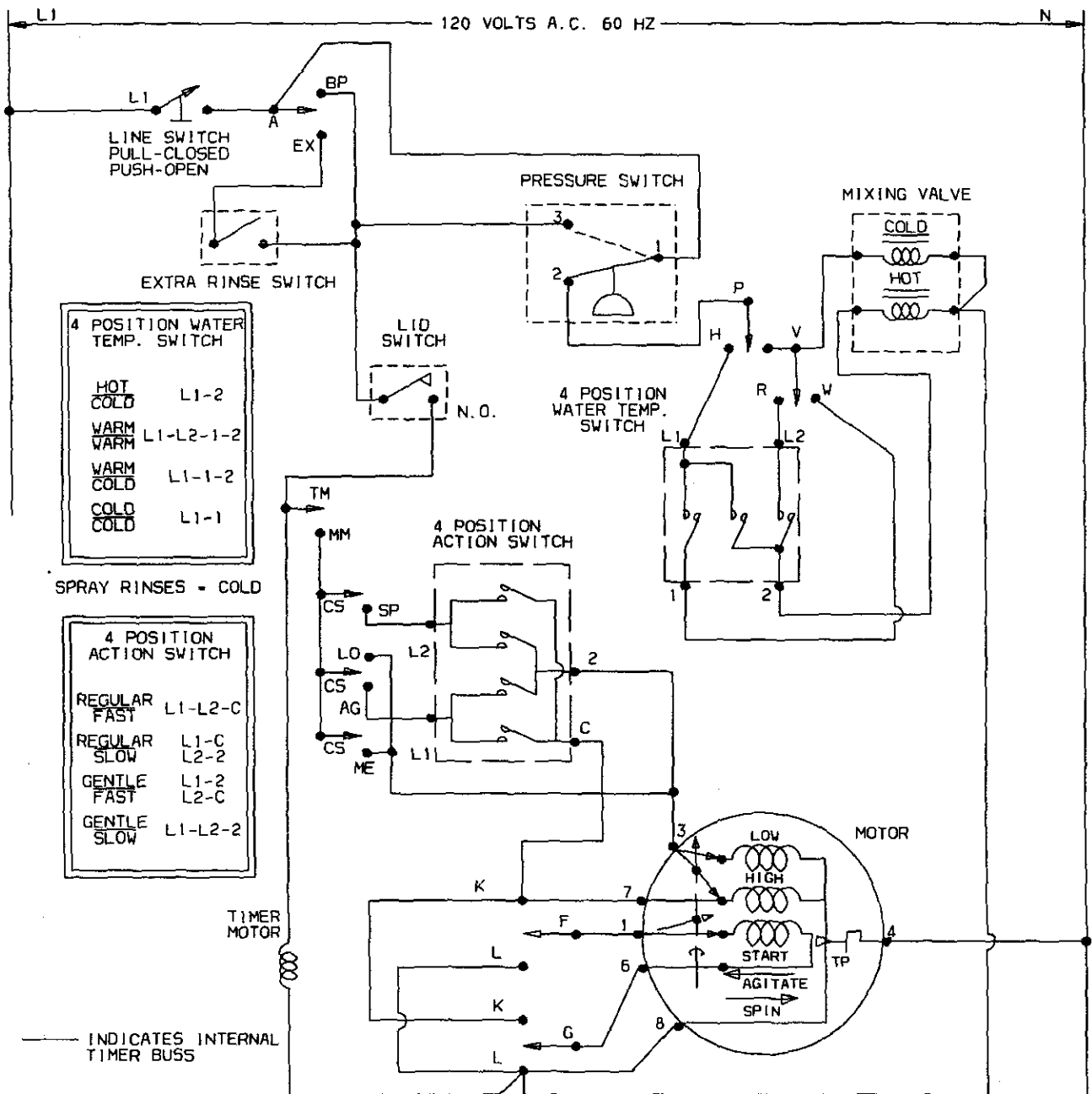
MODELS LW65A*, LW67A*

11-10

CONNECTION DIAGRAM



SCHEMATIC



WARNING

Failure to install, maintain, and/or operate this machine according to the manufacturer's instructions may result in conditions which can produce bodily injury and/or property damage.

W030

MODELS LWA65A*, LWD67A*

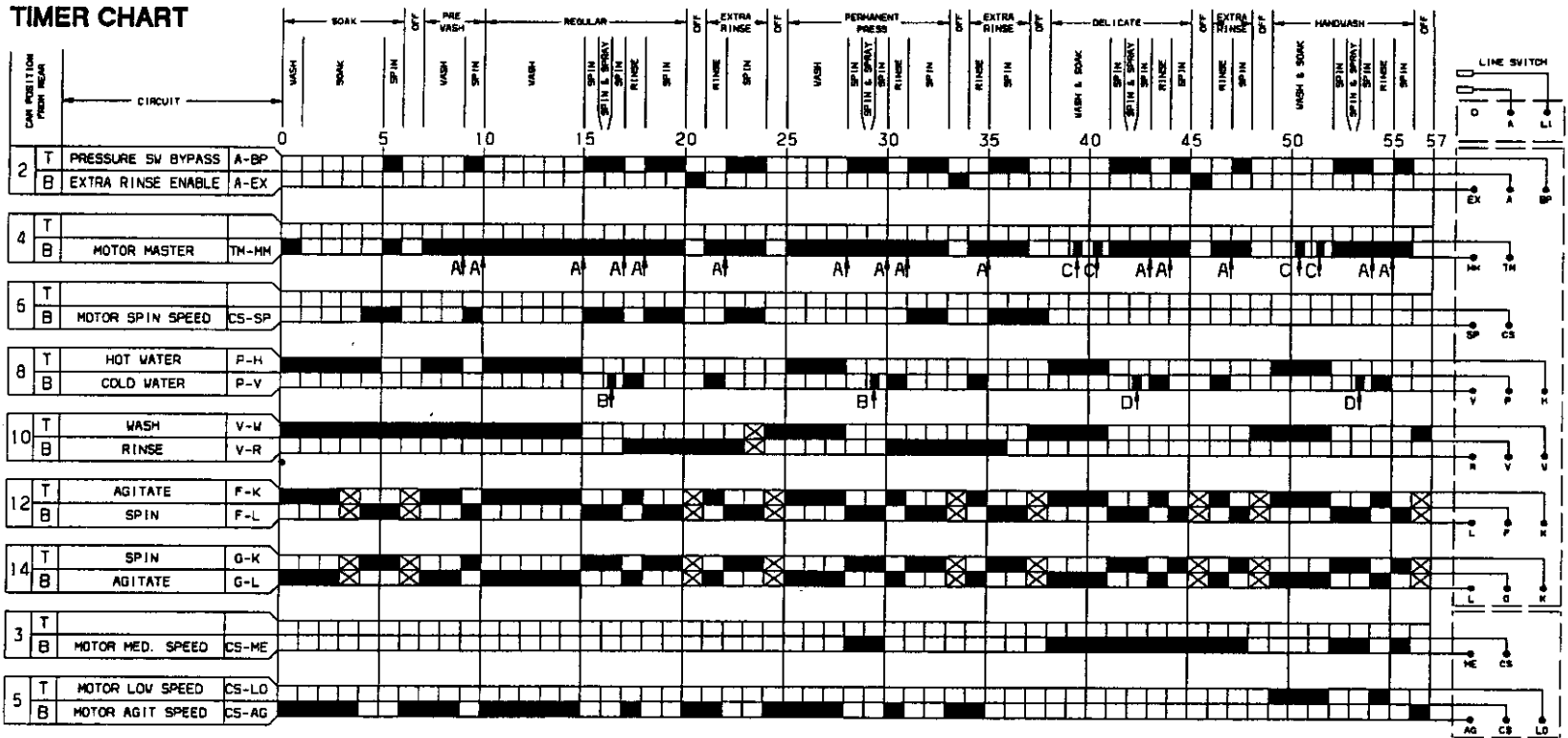
11-11

RS310006 (39011)
Rev. 0

MODELS LVA65A*, LWD67A*

11-12

TIMER CHART



BLACK HOUSING WIRE POSITION

3	2	1
BLU/ WHT	GRY/ BLK	BLK
5	4	
PKL/ BLK	PKL/ BLK	
9	8	7
PKL/ BLK	WHT/ BLK	
12	11	10
WHT/ BLK	PKL/ BLK	
15	14	13
GRY	RED/ BLK	BLK/ BLK
16	17	18
BLU/ RED	GRY	PKL/ PKL
21	20	19
WHT/ RED	RED	BLU
24	23	22
	BRN	
21	20	19
PKL	PKL/ BLK	
18	17	16
WHT/ GRN		PKL

WHITE HOUSING WIRE POSITION

NOTES:
 *A MOTOR OFF APPROX. 24 SECONDS
 *B MOTOR ON APPROX. 24 SECONDS
 *C MOTOR ON APPROX. 24 SECONDS
 *D MOTOR ON APPROX. 22 SECONDS
 *E STOP EQUALS APPROX. 1.80 SEC

WARNING
 FAILURE TO FOLLOW THE INSTRUCTIONS
 AND WARNINGS MAY RESULT IN
 PERSONAL INJURY OR PROPERTY
 DAMAGE.

THIS MACHINE MANUFACTURED
 UNDER ONE OR MORE OF THE
 FOLLOWING PATENTS:
 UNITED STATES NO. 3,253,974,
 3,828,795; 3,645,545
 CANADIAN NO. 1,009,285,
 994,145
 OTHER PATENTS PENDING

CONTACTS OPEN
 CONTACTS CLOSED
 CONTACTS CAN BE OPEN OR CLOSED
 NOTE: CS-ME AND CS-LO CONTACTS BOTH CONNECT TO LOW SPEED MOTOR WINDINGS ON THIS MODEL.

PART NO. 39818

Notes

Free Manuals Download Website

<http://myh66.com>

<http://usermanuals.us>

<http://www.somanuals.com>

<http://www.4manuals.cc>

<http://www.manual-lib.com>

<http://www.404manual.com>

<http://www.luxmanual.com>

<http://aubethermostatmanual.com>

Golf course search by state

<http://golfingnear.com>

Email search by domain

<http://emailbydomain.com>

Auto manuals search

<http://auto.somanuals.com>

TV manuals search

<http://tv.somanuals.com>