

Amana® Front Loading Washer

PRODUCT MODEL NUMBERS

NFW7200T

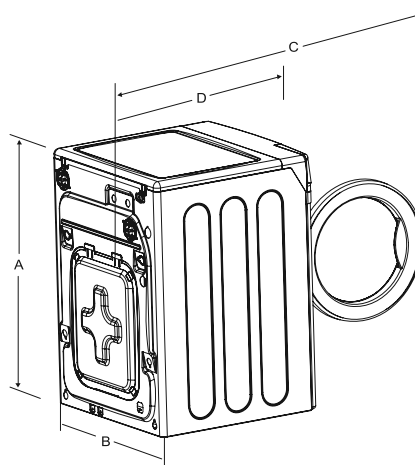
Electrical: 120-volt, 60 Hz, 15-amp fuse or circuit breaker. It is recommended that a separate circuit serving only this appliance be provided. Do not use an extension cord.

Water: Pressure of 20 to 120 p.s.i. (138 to 827 kPa) is required.

Hot and cold water faucets must be within 4 ft (1.2 m) of the back of the washer for inlet hoses.

NOTE: Inlet hoses are available in lengths up to 10 ft (3m) for faucets more than 4 ft (1.2 m) from the washer.

PRODUCT DIMENSIONS



- A. Overall height: 38" (96.5 cm)
- B. Width: 27" (68.6 cm)
- C. Depth with door open 90°: 49" (124.5 cm)
- D. Depth: 28" (71.1 cm)

NOTE: The height of the washer from the floor is 38" (96.5 cm). This includes the leveling leg screwed all the way in. The leg can be unscrewed an additional 7/8" (2.2 cm) for a total overall height of 38-7/8" (98.7 cm).

LOCATION CONSIDERATIONS

It is recommended that the washer never be installed in areas where water may freeze since the washer will always maintain some water in the water valve, pump and hose areas. This can cause damage to belts, pump, hoses and other components. Operating temperature should be above 60° F.

Alcove or closet installation:

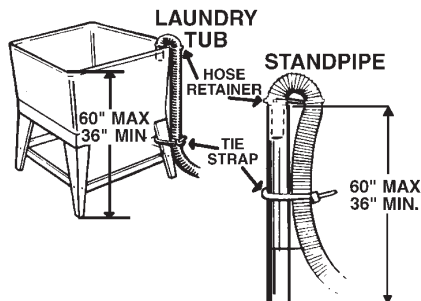
Minimum clearances for closet and alcove installations:

Sides	0" (0 cm)	Rear	2-3/8" (6.0 cm)
Top	0" (0 cm)	Closet front	2" (5.1 cm)

The closet front must have a total unobstructed air opening of 72"² (465 cm²) minimum, if both washer and dryer are installed together. A louvered door with equivalent air opening is acceptable. Washer alone does not require specific air opening.

DRAIN SYSTEM OPTIONS

The standpipe or laundry tub must be at least 18" (45.7 cm) high and no higher than 96" (2.4 m). The standpipe must be large enough to accept the outside diameter of the factory-attached drain hose.



Free Manuals Download Website

<http://myh66.com>

<http://usermanuals.us>

<http://www.somanuals.com>

<http://www.4manuals.cc>

<http://www.manual-lib.com>

<http://www.404manual.com>

<http://www.luxmanual.com>

<http://aubethermostatmanual.com>

Golf course search by state

<http://golfingnear.com>

Email search by domain

<http://emailbydomain.com>

Auto manuals search

<http://auto.somanuals.com>

TV manuals search

<http://tv.somanuals.com>