



HOME AIR TREATMENT CENTRE

GB Instruction manual

ELECTRICAL CONNECTION - UK ONLY

For your safety please read the following information.

Warning: This appliance must be earthed.

This appliance operates from a 3 pin 13 amp plug. The voltage rating is 230 volts and should be protected by a 13 amp fuse either in the plug or distribution board.

The appliance is supplied with a moulded 13 amp 3 pin mains plug fitted with a 13 amp fuse. Should the fuse require replacement, it must be replaced with a fuse rated at 13 amp and approved to BS1362.

The plug contains a removable fuse cover that must be refitted when the fuse is replaced. In the event of the fuse cover being lost or damaged, the plug must not be used until a replacement cover has been obtained.

If the moulded mains plug is unsuitable for the socket outlet in your home or is removed for any other reason, then the fuse should be removed and the cut off plug disposed of safely to prevent the hazard of electric shock.

There is a danger of electric shock if the cut off plug is inserted into any 13 amp socket outlet.

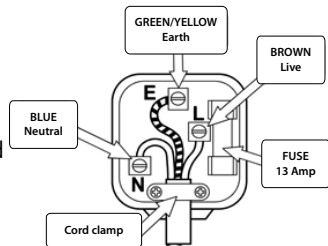
Important: how to wire a 13 amp plug

The wires in the mains lead on this appliance are coloured in accordance with the following code:

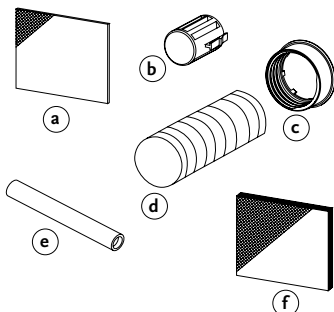
GREEN AND YELLOW – EARTH BLUE – NEUTRAL BROWN – LIVE

As the colours may not correspond with the markings identifying the terminals in your plug proceed as follows:

- The GREEN AND YELLOW wire must be connected to the terminal in the plug which is marked with the letter E or with the earth symbol \perp or coloured green and yellow.
- The BLUE wire must be connected to the terminal marked N or coloured black.
- The BROWN wire must be connected to the terminal marked L or coloured red.



PARTS



- Carbon filter
- Scent emitter
- Adapter for d.
- Spot dehumidification hose
- Drain tube
- 3M HAF filter (optional)

THANK YOU !

Thank you for choosing this innovative Amcor product. We suggest that you keep this manual in a safe place for future reference. It describes the many benefits and advanced features this unique product has to offer. Before you use it, you should carefully read these instructions to maximise this product's performance.

For over 50 years Amcor has specialised in complete indoor environmental control, manufacturing and marketing dehumidifiers, portable air conditioners, coolers, air purifiers, ionisers and aromatherapy scent diffusers. These world class products incorporate the latest technological developments.

IMPORTANT SAFETY INSTRUCTIONS

Before any installation, use and maintenance operation, read the safety instructions in this manual carefully.

Remove all packaging materials from the unit, keep it away from babies and small children to avoid the danger of suffocation.

Before inserting the plug make sure that the voltage is within the range indicated on the rating label on the unit.

The dehumidifier is intended exclusively for the use for which it was created. Amcor is not responsible for any damage caused by improper use.

The dehumidifier is safe, however as with other electrical appliances, use it with care.

WARNING

- Never operate this appliance if it is damaged or if it has a damaged cord or plug.
- Do not lead the cord over sharp edges.
- A damaged supply cord should be replaced by the manufacturer, its service agent or a qualified person in order to avoid a hazard.
- Any service other than regular cleaning or replacing the carbon filter should be performed by an authorized service representative. Failure to do so could result in a loss of warranty.

The first time that you use the unit please ensure that it has been standing for 2 hours in an upright position before it is switched on.

IMPORTANT: The unit is not to be used in temperatures under 5 °C.

IMPORTANT!

- The unit is designed for indoor operation.
- Rating: This unit must be connected to a 220-240 V / 50 Hz earthed outlet.
- The installation must be in accordance with regulations of the country where the unit is used.

If you are in any doubt about the electrical installation, have it checked and if necessary modified by a qualified electrician.

- Unplug when not in use. Do not unplug by pulling the cord.
- Do not operate this product with wet hands.
- Keep out of the reach of children.
- Do not clean the unit by spraying it or immersing it in water.
- Disconnect it from the mains before cleaning the unit or any of its components.
- Always unplug before changing the carbon filter.
- Do not connect the unit to an electrical outlet using an extension cord. If an outlet is not available, one should be installed by a licensed electrician.

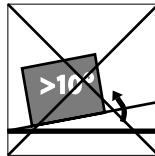
Do not use your dehumidifier under the following conditions:



If the power cable wires are frayed or cut



When small children may be left unattended



On a slope or uneven surface



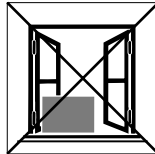
Close to a heat source



This product is not made for DIY repair



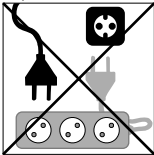
If there is a risk of liquid falling on the unit



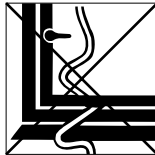
Inside unit exposed to the weather outdoors



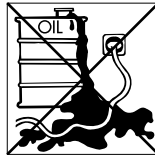
In a permanent very humid environment



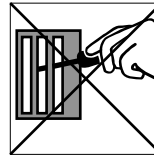
If an extension cord is needed to reach an outlet



Where the power cable may be damaged



Where it may be damaged by chemicals



Where there is a risk of interference by foreign objects

**Reminder:**

Waste electrical products must not be disposed of with household waste. This product should be taken to your local recycling centre for safe treatment.

HOW IT WORKS

Your AMCOR dehumidifier draws air through a multi stage high efficiency washable filter onto a refrigerated cold coil. As the air in the room passes over the cold surface, moisture condenses and collects into a removable water tank. The drier, slightly warmer air is then expelled through the air outlet located behind the control panel of the unit into the room.

When the water tank is full, a micro-switch automatically stops the unit and an indicator light signals the need to empty the tank.

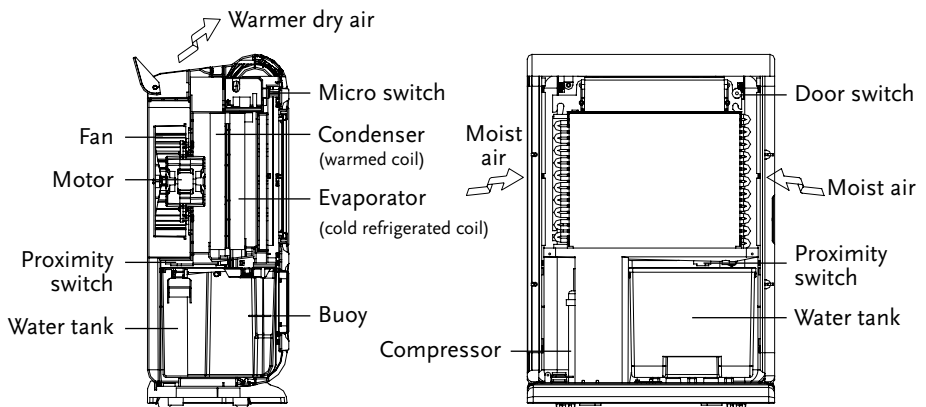
If preferred a continuous drainage hose connected into the back of the unit can be used to drain the water.

The dehumidifier fights condensation, mould and dampness throughout the house. It protects your furniture, precious possessions and decor from the damaging effects of excessive moisture.

The combination of air purifier and dehumidifier may aid in relieving some medical conditions such as arthritis and allergies linked to high humidity and airborne allergens by removing excess moisture, dust, smoke, animal dander, mould spores and pollen to create a less irritating living environment for your enjoyment.

The air is cleaned both when the dehumidifier is operating and also independently of the dehumidifier when the air purifier mode is selected.

Your dehumidifier is also great for drying the laundry!



PLACEMENT

Your AMCOR dehumidifier will begin to protect your home from the harmful effects of excessive moisture as soon as it is turned on.

Excess moisture travels throughout your home, in the same way that cooking smells spread to every room in the house. For this reason, the dehumidifier should be positioned in a central and clear location so that it can draw this moist air towards it from all over the home. A warm hallway or landing is an excellent position for your dehumidifier. If possible, leave interior doors ajar to allow air circulation.

Alternatively, if you have a serious problem in one area you can begin by positioning the dehumidifier there and later moving it to a more central point.

For the most effective use, run your dehumidifier with external doors and windows kept closed when the dehumidifier is operating.

Please note the unit should not be placed directly against a radiator or other heat source.

When positioning your AMCOR dehumidifier, ensure that it is placed securely on a level surface clear of any obstacle that may limit the air movement.

Your AMCOR dehumidifier is fitted with 4 wheels for easy movement. Before you move the unit, switch it off and empty the water tank.

AIR PURIFYING

Your dehumidifier is fitted with a high definition multi-stage air purification system.

Stage one

A preliminary washable dust filter. The filter absorbs irritating odours such as that from mould, stale cigar smoke, or vehicle fumes so they are not recirculated into the cleaner air.

Stage two

An activated carbon odour absorbent filter.

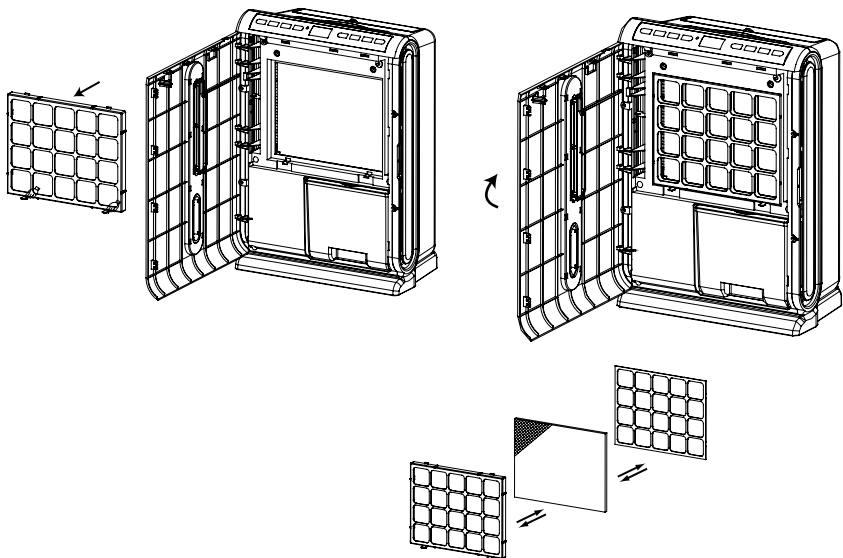
Stage three (optional)

An optional 3M HAF filter or a TiO₂ filter for purifying the air from bacteria.

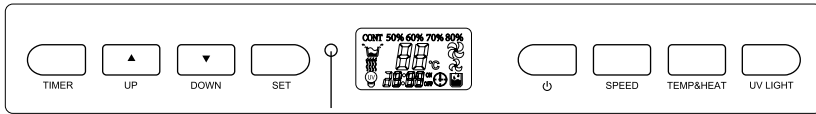
Remember

You can use the air purifier function even when dehumidification is not needed. Simply press the UV push button and set the humidity level to 80%.

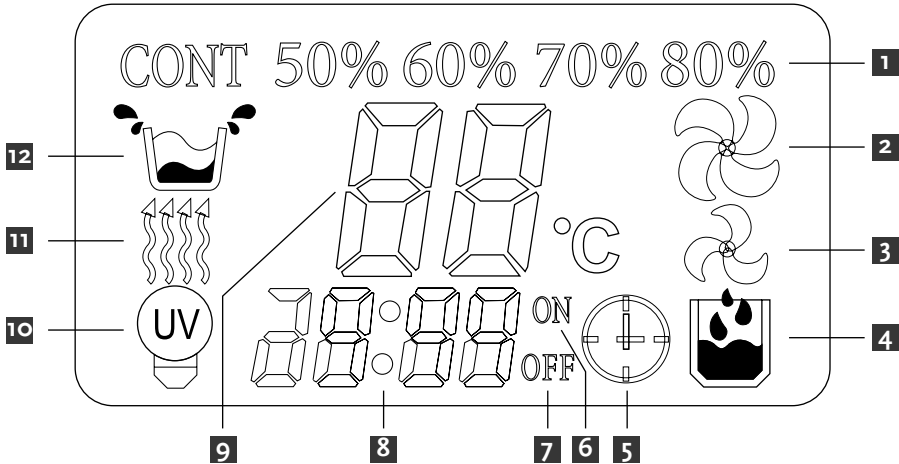
For details on cleaning the filter see the section of maintenance.



CONTROLS



13




1. Humidity set mode.
2. High fan speed.
3. Low fan speed.
4. Dehumidification – compressor runs.
5. Timer set is on.
6. Setting the timer ON.
7. Setting the timer OFF.
8. Real time indication and timer setting(s).
9. Indication of room relative humidity and temperature.
In all units – to confirm or cancel the timer press the set button - it indicates the status as follows:

	– cancels the ON timer.		– cancels the OFF timer.
	– confirms the o1 timer.		– confirms the o2 timer.
10. Ultra violet light is on (where available).
11. Heating function is ON.
12. Water tank full.
13. Dual colour led indication.
 1. When the unit is switched ON the led colour is BLUE.
 2. When the water tank is full the led colour turns RED.

Setting the time 28:28

The real time is shown on the clock, the 4 digits at the bottom of the LCD. The moment the unit is connected to the electricity, the default time 12:00 is shown. Push the SET BUTTON for 2 seconds, the 2 left digits will blink, adjust the hour by pressing the ▲ or ▼ button repeatedly. To set the minutes push the SET BUTTON again for 2 seconds. The 2 right digits blink. Press the ▲ or ▼ button repeatedly to adjust the minutes. Push the SET BUTTON again and the real time is set.

Switching the unit ON and OFF

Push the  BUTTON to operate the dehumidifier. Pushing the button again will switch the unit off.

Setting the humidity level CONT 50% 60% 70% 80%

CONT = Continuous dehumidification, the unit is dehumidifying disregarding the relative humidity in the room.

50% maintains the relative humidity around 50%, ideal for personal comfort and dry storage.


60% maintains the relative humidity around 60% for personal comfort.

70% maintains the relative humidity around 70% in the room.

80% maintains the relative humidity around 80% in most cases the compressor will be OFF.

To set the desired relative humidity level press the ▲ or ▼ button repeatedly.

Setting the fan speed.

Push the SPEED BUTTON to change the fan speed, the chosen speed will be indicated on the LCD,  for the high speed and  for the low speed.

Setting the Timer

The timer switches the unit on and off automatically.

Make sure that the clock is set to the real time so that the timer can operate the unit accurately.

When the unit runs (is ON)

Push the TIMER BUTTON, the 2 left digits will blink; adjust the desired hour when the unit will switch OFF by repeatedly pressing the ▲ or ▼ button.

Push the TIMER BUTTON again, the 2 right buttons will blink; adjust the minutes by repeatedly pressing the ▲ or ▼ button. (The minutes can be set in steps of 5 minutes, 5, 10, 15 up to 55).

If an ON setting is desired after the OFF, repeat the above procedure.

To activate the timer settings push the SET BUTTON one more time.

When the unit is OFF.

Follow the same procedure as above for the ON and if required continue to the OFF setting.

Cancelling the timer

In order to cancel the timer setting(s), push the TIMER BUTTON.

UV light (optional)

Normally the blue UV light will be ON whenever the unit is connected to the electricity. In order to turn the blue UV light off, push the UV BUTTON, the UV light will go OFF and the UV icon on the LCD will disappear.

Pushing the UV BUTTON again will light the UV light.

When the front door opens, a micro switch cuts off the electricity.

Heater

The heating function may run together with the compressor or alone. The heater will run only when the room temperature is below 25 °C.

To operate the heating function, press the TEMP&HEAT BUTTON.

Room relative humidity

Normally the 2 digits indicate the relative humidity % in the room.

If the relative humidity is lower then 35% the 2 digit icon indicate *LQ*.

If the relative humidity is higher then 95% the 2 digit icon indicate *Hl*.

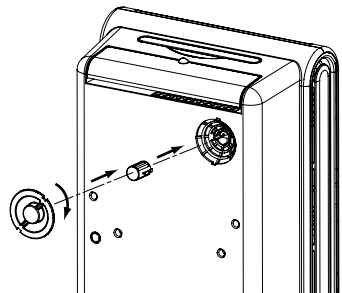
Room temperature

Push the TEMP&HEAT BUTTON for 2 seconds and the LCD will indicate the room temperature.

SCENT EMITTER

The unit is supplied with a scent emitter to fragrance the air.

- take out the scent capsule from its bag
- take the scent emitter cover off by turning it and pulling it out
- fix the capsule into its airy seat in the back of the unit
- return the cover to its place.



MAINTENANCE

Always unplug the unit from the mains before carrying out any maintenance or cleaning the unit.

Cleaning the body

Use only a soft cloth to wipe the unit clean.

Do not use volatile chemicals, petrol, detergents, chemically treated cloths or other harmful cleansing solutions. These could all possibly damage the cabinet.

Cleaning the washable air filter

This dehumidifier is equipped with a washable filter. This will capture most airborne pollutants like dust, smoke, animal dander, mould spores and pollen to create a less irritating living environment.

It is advisable to check the filter on a regular basis (at least monthly and after storage) and clean as necessary:

- Extract the filter holder
- Use a vacuum cleaner or tap the filter lightly.

If the filter is particularly dirty, use luke-warm water with a small amount of medium strength detergent and rinse thoroughly under the cold water tap.

Make sure the filter is completely dry before replacing.

Do not expose the filter to sunlight or other sources of direct heat as this may cause the filter and frame to warp.

Cleaning and replacing the carbon filter.

The carbon filter can be cleaned with a vacuum cleaner, never rinse it with water. We suggest to replace the carbon filter every 6 months.

Optional filters

3M HAF filter

PCO – Photo Catalytic Oxidation (optional)


TiO₂ filter is included in the multi air filter. Bacteria carried by the air are being killed by the TiO₂ filter.

STORAGE


If the dehumidifier is not used for long periods of time, follow these steps:

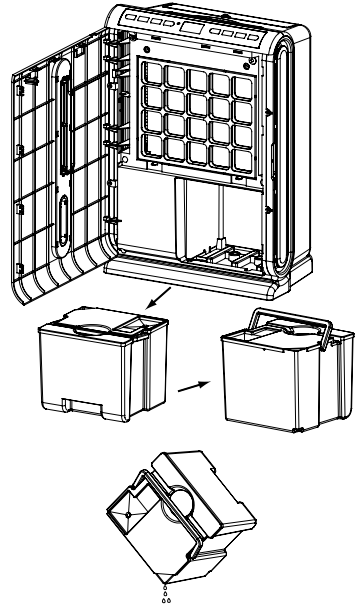
- disconnect the unit and wrap the power cable.
- if used, empty the water container, remove the scent emitter .
- clean the unit and filter, pack it in its original packaging or cover to protect against dust.
- store the unit in an upright position in a cool, dry place away from access by children.

EMPTYING THE WATER TANK

When the water tank is full, the unit will switch off and beep 10 times, the blue led on the control panel will become red and the  icon on the LCD will come on.

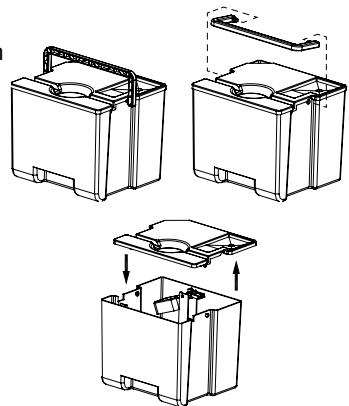
At this time please empty the water tank as follows:

- open the front door
- pull the water tank partly out by the recession at the bottom of the tank
- raise the handle, carry the tank to the drain point and empty the water by the small triangle opening in the cover of the tank
- once emptied, gently push the tank back into its place checking that the  icon goes out and the red led turns back to be blue.



To clean the water tank follow these steps:

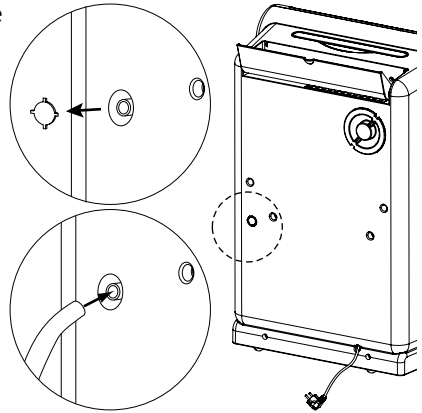
- turn the handle to the position where the notch on the handle's hinge matches the slot in the water tank
- pull the handle out of its place in the water tank and take the handle off
- take off the cover
- clean the water tank
- put back the cover
- return the handle to its place.



CONTINUOUS DRAINAGE (OPTIONAL)

For the continuous drainage please refer to the following instructions and pictures :

1. Cut out the hole for the drainage tube on the back of the unit.
There are 4 tiny strips holding the cover in the hole, just cut them and the cover will come out.
2. Push the supplied drain tube through the hole in the back of the unit and fix it on to the plastic drain tube.
3. The water tank have to remain in place also in the continuous drainage.
4. Make sure that the drain tube will have a continuous downward slop all the way to the drain point.
5. Do not insert the edge of the drain tube below the water level.



SPOT DEHUMIDIFICATION

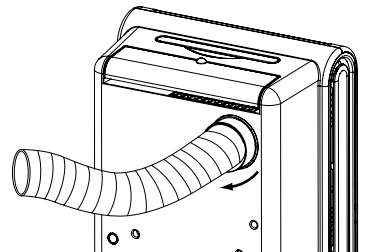
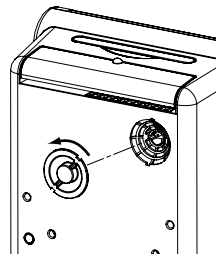
Normal dehumidification

Before you start the unit, open the air outlet grill located behind the control panel to direct the dehumidified dry air run up according to your wish.

Spot dehumidification

Your dehumidifier has got a unique feature. Besides dehumidifying the air in the room it can at the same time dehumidify humid spots like closets, shoes, dresses etc. by a flexible hose connected to the rear panel:

- take off the cover of the scent emitter
- take out the scent capsule
- screw the flexible hose into its adapter
- connect the adapter to the opening in the rear panel
- close the air outlet panel on the top of the unit
- run the unit.



TROUBLE SHOOTING

Never try to repair or dismantle the unit yourself. Before calling for assistance please check the points below.	
The unit doesn't run.	Is the machine plugged in?
	Is the mains power supply on?
	Is the water tank full indicator on? (If so, the water tank is full or it isn't positioned properly).
The unit seems to extract little water.	Are too many windows or doors open?
	Is there something in the room producing lots of heat?
	Is the room cold – the colder the air the less moisture the unit will extract.
	Is the filter dirty?
The unit seems to do nothing.	Is the room humidity already quite low?
	Is the filter dirty?
	Is the air intake or outlet blocked?
	Is the room humidity already quite low?
Too noisy.	Is the room temperature below 5 °C? The fan may run without the compressor.
	Is the machine positioned unevenly so as to create vibration?
	Is the floor underneath the unit uneven or loose fitting?
The unit's fan doesn't seem to be revolving.	Is there any foreign body interfering with the unit?
	Is the filter blocked?
The continuous drainage is not working.	Does the hose have a downward slope throughout its entire length?
	Is there a kink or sharp bend in the hose?

TECHNICAL DATA

Model		PLDA 19EH	PLDA 25EH
Mains		220 - 240 V / 50 Hz	
Power consumption (at 32 °C, RH 90 %)	W	300	390
Heater	W	600	
Moisture removal (at 32 °C, RH 90 %)	L/24h	18	24
Refrigerant		R-134A	
Refrigerant load	g	155	200
Working temperature	°C	5 - 35	
Dimensions (W x D x H)	cm	42 x 24 x 60	
Net weight	kg	16	16.5
Due to our continuous R+D program, specifications may change without prior notice. For current specifications please refer to the rating label on your machine.			

Hong Kong

Amcors Ltd
Suite 2007, Tower 6, The Gateway,
Harbour City, 9 Canton Road,
Tsim Sha Tsui, Kowloon,
Hong Kong
Tel: +852 2997 6865
Fax: +852 2997 6091
Email: amcorhk@amcorgroup.com

United Kingdom

Amcors Ltd
9 Ryan Drive, West Cross Centre,
Great West Road, Brentford,
Middlesex, TW8 9ER,
United Kingdom
Tel: +44 20 8560 4141
Fax: +44 20 8232 8814
Email: amcoruk@amcorgroup.com

USA

Amcors Inc.
685A Gotham Parkway, Carlstadt,
New Jersey 07072,
United States of America
Tel: +1 201 460 8100
Fax: +1 201 460 9481
Email: amcorusa@amcorgroup.com

The Netherlands

Amcors B.V.
Anton Philipsweg 9-11,
1422 AL Uithoorn,
The Netherlands
Tel: +31 297 560 079
Fax: +31 297 523 062
Email: amcorex@amcorgroup.com

Israel

Amcors International Ltd
1 Sapir St.,
P.O. Box 12001
Hertzeliya Pituach,
Israel
Tel: +972 9951 5351
Fax: +972 9958 5650
Email: amcoril@amcorgroup.com

Singapore

Amcors Investments (Singapore) Pte Ltd
545 Orchard Road,
#13-02, Far East Shopping Centre,
Singapore 238882
Tel: +65 6297 9881
Fax: +65 6297 8891
Email: amcorsg@amcorgroup.com

China

Shan Xia Industrial Development Zone,
Heng Li Town, Dongguan City,
Guangdong Province, China

Plant One - Amcor (China) Ltd

Tel: +86 769 8372 1090
Fax: +86 769 8372 1790
Email: amcorcn@amcorgroup.com

Plant Two - Amcor Appliances Ltd

Tel: +86 769 8372 1970
Fax: +86 769 8372 1790
Email: amcorappl@amcorgroup.com



Free Manuals Download Website

<http://myh66.com>

<http://usermanuals.us>

<http://www.somanuals.com>

<http://www.4manuals.cc>

<http://www.manual-lib.com>

<http://www.404manual.com>

<http://www.luxmanual.com>

<http://aubethermostatmanual.com>

Golf course search by state

<http://golfingnear.com>

Email search by domain

<http://emailbydomain.com>

Auto manuals search

<http://auto.somanuals.com>

TV manuals search

<http://tv.somanuals.com>