

# INSTALLATION INSTRUCTIONS

*American Standard*

Style That Works Better

## Acrylux Builder Series Whirlpools

Model 6030Y2A.118.XXX

Model 6030Y1.118.XXX

Model 6032Y1.118.XXX

Model 6030Y2A.218.XXX

Model 6030Y1.218.XXX

Model 6032Y1.218.XXX

Thank you for selecting American Standard – the benchmark of fine quality for over 100 years. To ensure this product is installed properly, please read these instructions carefully before you begin. Local building codes vary by location. Observe all local plumbing and building codes.

### RECOMMENDED TOOLS AND MATERIALS

Tape Measure  
Safety Glasses

Mortar Compound (optional)  
Screws, 1" Flathead, Stainless

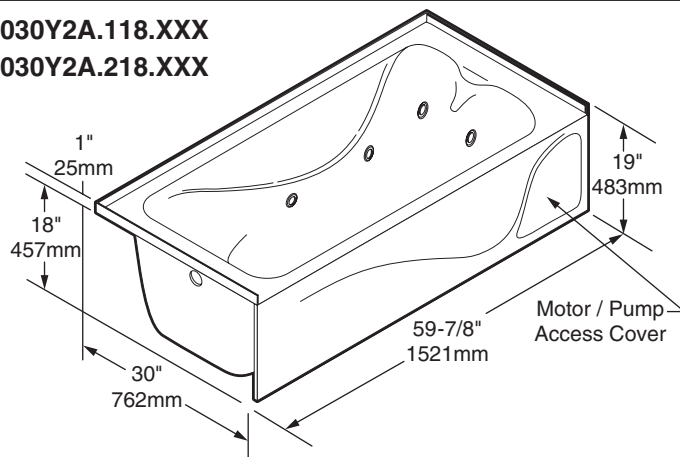
Pencil  
Drill

Saber Saw  
Level

### IMPORTANT:

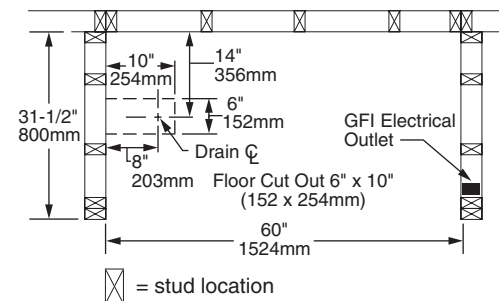
- Read installation instructions carefully before starting project.
- Before you begin, locate appropriate product reference (below).
- Allow tub to reach room temperature before installation.
- Water test tub before installation.
- Keep instructions for warranty information.

6030Y2A.118.XXX  
6030Y2A.218.XXX

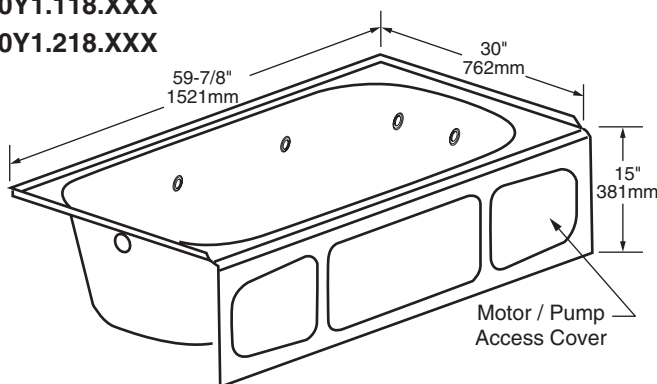


### STUD LAYOUT:

The American Standard Acrylux Bathtub will fit all standard 30" x 60" tub walls.

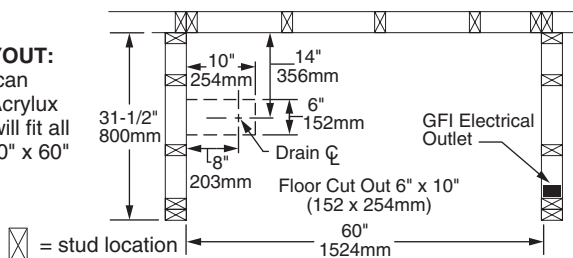


6030Y1.118.XXX  
6030Y1.218.XXX

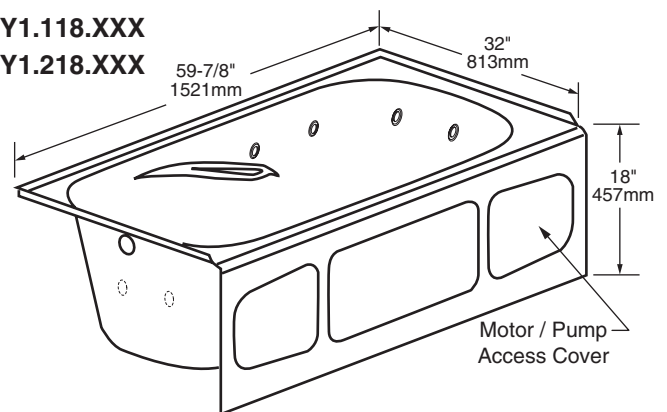


### STUD LAYOUT:

The American Standard Acrylux Whirlpool will fit all standard 30" x 60" tub walls.

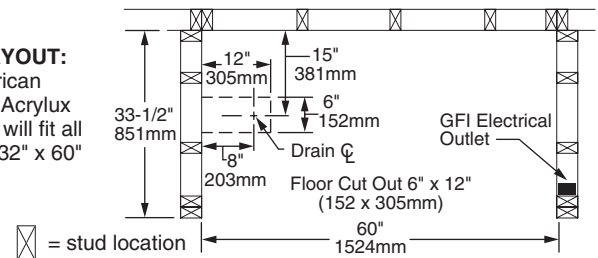


6032Y1.118.XXX  
6032Y1.218.XXX



### STUD LAYOUT:

The American Standard Acrylux Whirlpool will fit all standard 32" x 60" tub walls.



Left-hand drain shown - reverse layout for right-hand drain.

Subject to manufacturing tolerance of [+] or [-] 1/8"

## INSTALLATION INSTRUCTIONS

### STEP 1. PREPARING ALCOVE

- Alcove studs should be constructed as shown.
- Floor must be clean, smooth, and level (check with level). Sub floor must be installed. Do not install tub on open floor joists.
- Cut hole in sub floor as shown, to accommodate drain.
- Access panels must be located on both ends of whirlpool alcove to service pump/motor and drain assembly after installation. Failure to provide access to these areas may result in added removal and re-installation costs in the event service may be required.

### STEP 2. ELECTRICAL CONNECTIONS

- Install a 110 volt, 20 amp duplex outlet to the stud wall underneath the whirlpool at least 4" (102mm) above the sub floor. **(Figure 1)**
- Motor/pump must have a separate 110 volt, 20 amp service from the breaker panel to the motor/pump location. Do not combine any other electric service with whirlpool supply line.
- Service supply line must be connected to a ground fault interrupter (GFI) at the breaker panel for added protection and to meet code requirement. Install breaker after all other electrical connections have been made.
- Your whirlpool wiring should be installed by a licensed electrician. All electrical preparation and connections must be made in strict compliance with local and national electrical codes.

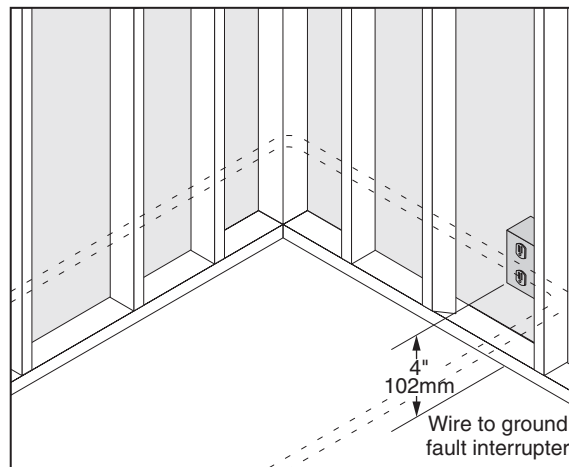
**WARNING: If whirlpool is not properly wired, there is danger of electrical shock or fire.**

### STEP 3. LEAK TEST WHIRLPOOL

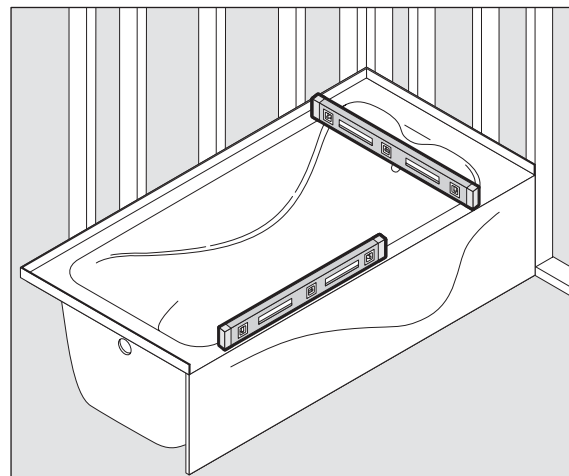
- **Water test tub in area where all fittings and connections can be inspected.**
- **Fill tub with water, make sure water is above jets. Run for 10 minutes. Inspect all fittings, plugs and connections for possible leaks.**
- Drain tub. If any leaks are found, call American Standard Customer Service Department at 1-800-442-1902.

### STEP 4. INSTALLING WHIRLPOOL

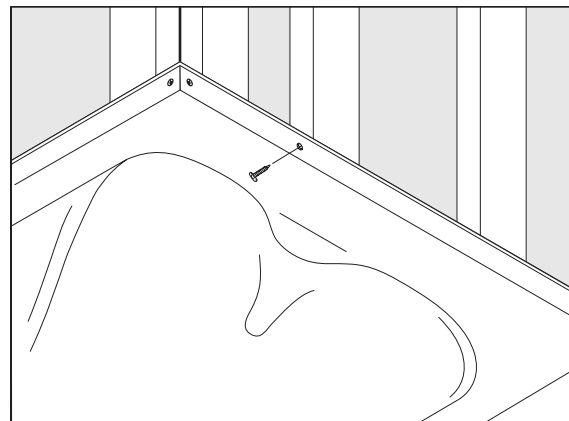
- Install drain, waste and overflow.
- Trial fit whirlpool in prepared alcove. With whirlpool sitting flat on floor, check with level on top of tub. Whirlpool should be level from front to back and side to side **(Figure 2)**. If tub is not level, remove tub and level floor using leveling compound.
- A floor leveling compound (smooth mortar) or a similar quick-setting compound specifically made for leveling floors may be used to fully support and level tub.
- If alcove is larger than tub, shim between tub and studs to create a tight fit. Screw tub flange to studs. **(Figure 3)**
- Connect drain piping to drain.



**FIGURE 1.** Locate receptacle in same end of alcove as motor.



**FIGURE 2.** Check to assure tub is level.



**FIGURE 3.** If necessary, shim between tub and studs for tight fit and screw to each stud.

## CLEANING

- Normal cleaning: wash with warm water, soft cloth and a mild liquid detergent.
- Ideal cleaners are Soft Scrub Gel® or Comet Gel®.
- Do not use any abrasive cleaners or metal scrapers.
- **FLUSHING INSTRUCTIONS:** Whirlpool unit must be flushed every ninety (90) days with a sanitizing chemical such as a spa freshener, algicide or household bleach. Fill tub with water, add sanitizing chemical and allow the unit to circulate for at least 20 minutes.

**WARNING: Some cleaning products are not suitable for use. Read all labels carefully.**

**DO NOT USE if they say “not suitable for use with ABS, acrylic, or polystyrene.**

## READ BEFORE INSTALLATION AND/OR USE – IMPORTANT SAFETY INSTRUCTIONS INSTRUCTIONS PERTAINING TO A RISK OF FIRE

1. Read and follow all instructions
2. **DANGER:** To reduce the risk of injury, do not permit children to use this unit unless they are closely supervised at all times.
3. Infants should not be permitted in the whirlpool at water temperatures over 100° Fahrenheit and only with prior medical consultation and permission from your doctor.
4. Pregnant women and persons suffering from heart disease, diabetes, or high or low blood pressure should not enter the whirlpool tub without prior medical consultation and permission from their doctor.
5. For your first whirlpool bath, start with a short duration of five minutes. You can increase the time intervals as your body's tolerance adjusts. However, do not use longer than 15 minutes at any one time.
6. High water temperatures and prolonged periods of use can raise internal human body temperature excessively and impair the body's ability to regulate its internal temperature.
7. Check whirlpool before use. Maximum safe temperature is 104° Fahrenheit (40° Celsius).
8. Observe reasonable time limits to avoid nausea, dizziness, and fainting.
9. Do not direct the water spray to the following body areas in these instances:
  - A. Any area of the body that is swollen, burned, inflamed or where skin eruptions or ulcerated sores are present.
  - B. Any area of the body that is sore unless approved by your doctor.
  - C. The abdomen when pain is present.
  - D. Legs with varicose veins.
  - E. Calves of legs with unexplained pain.
10. Keep body, hair, and clothing a maximum of 12 inches away from the suction fitting at all times when whirlpool is operating. Do not operate the unit without the guard over the suction fitting.
11. Do not use whirlpool while under the influence of alcohol or narcotics.
12. Enter and exit tub slowly.
13. Do not use electrically connected devices such as televisions, radios, stereo speakers, lights, cooking devices, hair dryers, telephones, or other electrical appliances within five feet of the whirlpool tub.
14. Use this unit only for its intended use as described in this manual. Do not use attachments not recommended by the manufacturer.
15. Never drop or insert any object into any opening.
16. Keep all breakable objects out of area.
17. All electrical supply circuits providing the electrical power source to be connected to the whirlpool bath should be checked, installed, and inspected by a licensed electrician and inspected by the Building Code Authority having jurisdiction at the installation location upon installation and prior to use of the whirlpool bath.
18. The unit must be connected only to a supply circuit that is protected by a ground-fault circuit-interruptor (GFCI). Such a GFCI should be provided by the installer and should be tested on a routine basis. If GFCI fails to operate properly there may be a ground current flowing, indicating the possibility of an electric shock. Do not use this unit. Disconnect the unit and have the problem corrected by a qualified service representative before using.
19. A green colored terminal is provided within the terminal compartment. To reduce the risk of shock, connect this terminal to the grounding terminal of your electric service or supply panel with a continuous green insulated copper wire equivalent in size to the circuit conductors supplying this equipment, but no smaller than No. 12 AWG (3.3mm).
20. **SAVE THESE INSTRUCTIONS.**

## TROUBLE SHOOTING PUMP/MOTOR

### MOTOR WON'T START

1. Check to see if on/off switch or pneumatic switch is in "on" mode.
2. Check for loose connections, blown circuit breakers, GFI or fuses.
3. With the power off at the circuit breaker, check manually to see that the motor shaft has free movement and lacks obstruction.

### MOTOR CUTS OUT/STOPS

1. Turn GFI breaker off. Check for loose wiring/connections.
2. Check for low voltage at the motor (frequently caused by undersized wire).

**NOTE:** Pumps equipped with automatic reset overload protectors and solid state electronics and switches are designed to eliminate failures caused by mechanical switches and governors.

### MOTOR HUMS BUT DOES NOT START

1. Turn GFI breaker off. Check for binding of the motor shaft or obstruction in pump. Manually rotate motor shaft to see that shaft turns freely.
2. Check for low voltage and undersized gauge of wire.

### PUMP WON'T PUMP

1. Open air control valve to release any possible air lock.
2. Make sure all suction and discharge lines and return port are clear and unobstructed.
3. Check to see that water is at high enough level for pump to prime.
4. Check for air leak in the suction line - slightly loosen pump union connector and then re-tighten (by hand).
5. Check for obstructions in the piping system.

### LOW FLOW

1. Turn GFI breaker off. Check for any obstructions in pump that impede impeller.
2. Check for low voltage - undersized gauge of wire.
3. Check suction line for obstructions and/or air leaks.
4. Check for obstruction in discharge line.

### NOISY PUMP

1. Check for air leak in suction line which can cause "rumbling" sound.
2. Check for "cavitation" caused by an obstructed or under sized suction line.

### WATER LEAK

1. Turn GFI breaker off.  
Check union connectors:
  - a) Be sure they are tight - hand tighten only.
  - b) Inspect O-ring to be sure it is properly seated and not damaged.
2. Turn GFI breaker off.  
Water between pump housing and motor:
  - a) Check the rotary seal to be sure it is clean and without contamination on surface.
  - b) Check seal to see if it is worn or damaged - replace seal if necessary.

## SCRATCH REMOVAL INSTRUCTIONS

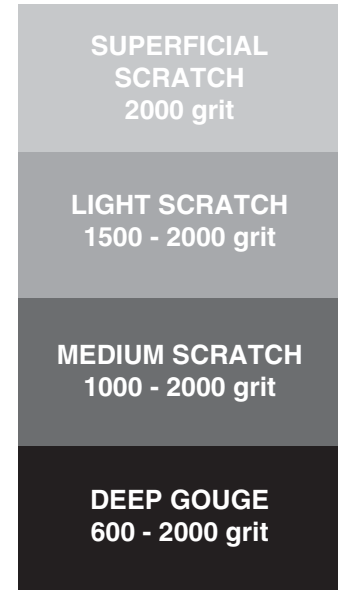
1. For effective scratch removal and polishing, you will need to purchase these items:

- 1 sheet 1000 grit 3M® wet-dry sandpaper
- 1 sheet 1500 grit 3M® wet-dry sandpaper
- 1 sheet 2000 grit 3M® wet-dry sandpaper
- 1 small container of 3M® rubbing compound #05933

These items can be purchased at most auto supply stores that provide supplies to professional paint and body shops. Call before you go.

Not all auto supply stores will have these items.

2. Start sanding with 2000 grit paper. Use small squares of paper about 2" x 2" for all sanding and use lots of water. The water serves as both a lubricant and to prevent residue buildup on the paper. Residue buildup shortens the effective life of the paper and may scratch the surface you are trying to polish.
3. 2000 grit paper is the finest grit available (the higher the number, the finer the grit). If you can't remove all of the scratches with 2000 grit, switch to 1500 grit. Remember to wash the paper frequently with water as you sand.
4. If all of the scratches cannot be removed with 1500 grit, switch to 1000 grit. This should remove most fine scratches. If you have deep scratches or a gouge, coarser paper may have to be used (see chart to right). Be careful! Using grit that is too coarse may actually put in more scratches than it removes.
5. Once you have removed all of the scratches by sanding the finest paper possible, repeat the sanding process using successively finer grits of paper until you have once again sanded with 2000 grit.
6. Now use 3M® rubbing compound #05933 on a soft, damp cloth. Polish using considerable pressure to produce a smooth, shiny finish.



**SCRATCH / SANDPAPER GUIDE**

## AS AMERICA, INC. ("AMERICAN STANDARD") LIMITED WARRANTY FOR ACRYLUX PRODUCTS

AS America, Inc. ("American Standard") warrants to the original consumer purchaser that it will, at its option, repair or replace any of its plumbing products found by it to be defective under normal use and maintenance within the following periods from date of purchase: Electronic Components - two (2) years; Pump Motors - three (3) years; Fittings and Plumbing - two (2) years; Shell - ten (10) years residential; three (3) years commercial. In the event of a limited warranty claim proof of purchase will be required—save sales receipt.

This limited warranty DOES NOT COVER the following:

1. Defects or damage arising from shipping, installation, alterations, accidents, abuse, misuse, lack of proper maintenance and use of other than genuine American Standard replacement parts, in all cases whether caused by a plumbing contractor, service company, the owner or any other person.
2. Deterioration through normal wear and tear.
3. Expense of normal maintenance - periodic replacement of washers, seals, etc. is a normal maintenance requirement.
4. IN NO EVENT WILL AMERICAN STANDARD BE LIABLE FOR THE COST OF REPAIR OR REPLACEMENT OF ANY INSTALLATION MATERIALS, INCLUDING BUT NOT LIMITED TO, TILES, MARBLE ETC.
5. Postage or shipping costs for returning products for repairs or replacement under this limited warranty and labor or other costs incurred in connection with product removal or installation under this limited warranty.
6. ANY LIABILITY FOR CONSEQUENTIAL OR INCIDENTAL DAMAGES, ALL OF WHICH ARE HEREBY EXPRESSLY DISCLAIMED, OR THE EXTENSION BEYOND THE DURATION OF THIS LIMITED WARRANTY OF ANY IMPLIED LIMITED WARRANTIES, INCLUDING THOSE OF MERCHANTABILITY OR FITNESS FOR AN INTENDED PURPOSE. (Some jurisdictions do not allow limitations on how long an implied limited warranty lasts, or the exclusion or limitation of incidental or consequential damages, so these limitations and exclusions may not apply to you.)
7. Responsibility for compliance with local code requirement. (Since code requirements vary greatly, distributors, dealers, installation contractor and users of plumbing products should determine whether there are any code restrictions on the installation or use of a specific product.)
8. If a whirlpool unit is purchased by a dealer and used as a demonstration unit the limited warranty takes effect as soon as the dealer uses the product as a demo. If this demonstration unit is subsequently sold to a customer, the dealer may transfer the remaining period of the limited warranty to the buyer only with American Standard written approval.

This limited warranty gives you specific legal rights. You may have other statutory rights that vary from state to state or from province to province, in which case this limited warranty does not affect such statutory rights.

By Mail: American Standard Inc.  
P.O. Box 659  
West Caldwell, N.J. 07007  
Attention: Customer Care Center

By Telephone:  
1-800-442-1902



## Free Manuals Download Website

<http://myh66.com>

<http://usermanuals.us>

<http://www.somanuals.com>

<http://www.4manuals.cc>

<http://www.manual-lib.com>

<http://www.404manual.com>

<http://www.luxmanual.com>

<http://aubethermostatmanual.com>

Golf course search by state

<http://golfingnear.com>

Email search by domain

<http://emailbydomain.com>

Auto manuals search

<http://auto.somanuals.com>

TV manuals search

<http://tv.somanuals.com>