

# INSTALLATION INSTRUCTIONS CARE AND MAINTENANCE

*American Standard*

Style That Works Better

## ABOVE COUNTER SINK FOR USE WITH: 0621.001 STUDIO

Thank you for selecting American Standard - the benchmark of fine quality for over 100 years. To ensure this product is installed properly, please read these instructions carefully before you begin. (Certain installations may require professional help.) Also be sure your installation conforms to local codes.

**▲ CAUTION: PRODUCT IS FRAGILE. TO AVOID BREAKAGE AND POSSIBLE INJURY HANDLE WITH CARE!**

NOTE: Pictures may not exactly define contour of china and components.

**RECOMMENDED FAUCET\***: 2064.101 ONE lavatory faucet

\*Log on to [www.americanstandard-us.com](http://www.americanstandard-us.com) for additional faucet selections.

### RECOMMENDED TOOLS AND MATERIALS

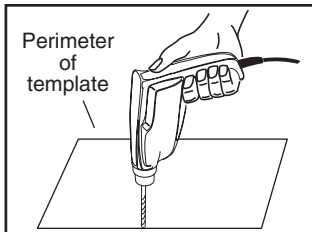
Putty Knife	Regular Screwdriver	Adjustable Wrench	Channel Lock Pliers	Jig Saw
Hacksaw	Phillips Screwdriver	Pipe Wrench	Basin Wrench	Drill
Tubing Cutter	Tape Measure	Silicone Adhesive	Plumber's Putty or Caulking	

### OBSERVE LOCAL PLUMBING AND BUILDING CODES

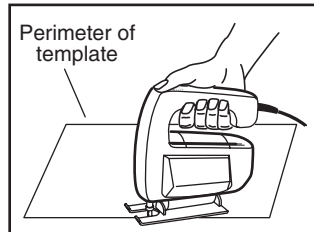
## COUNTERTOP INSTALLATION

**1** Using the template provided, locate the position of the sink on the countertop. Provide proper clearance under the countertop for the faucet supply lines, drain assembly and the structural parts of the cabinet.  
**NOTE:** If replacing an existing sink be certain to shut off water supply before removing old sink.

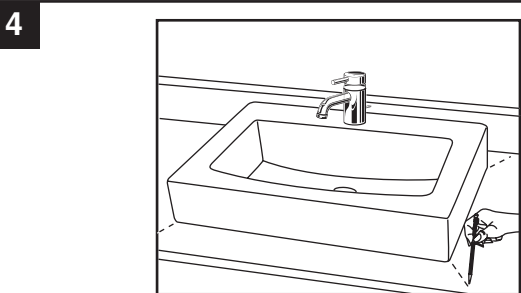
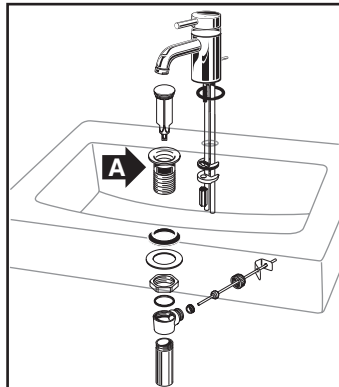
**2** Drill a clearance hole inside the perimeter line of the template for countertop installation.



Cut opening around the perimeter of the template.

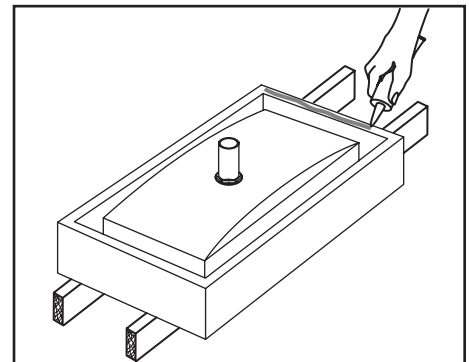


**3** Mount the faucet and drain assembly (not included) on the sink following the manufacturer's instructions. Be certain to apply a bead of sealing putty on the underside of the drain (Part "A") in order to ensure a watertight seal between the sink and drain. Remove excess putty after installing drain on sink.



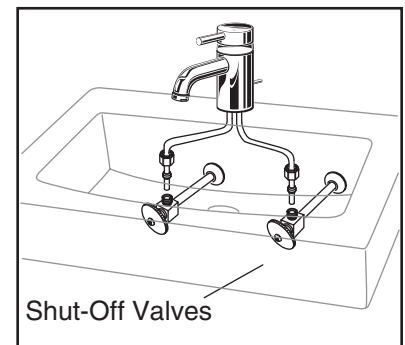
- Place the sink temporarily into the template.
- Check for alignment and clearance.
- Mark the sink and countertop in several places as a guide for the installation location.

**5** After checking fit and alignment, turn sink upside down and apply a generous portion of silicone adhesive around the under side of the rim near the edge. Place sink in position. Wipe off excess adhesive.

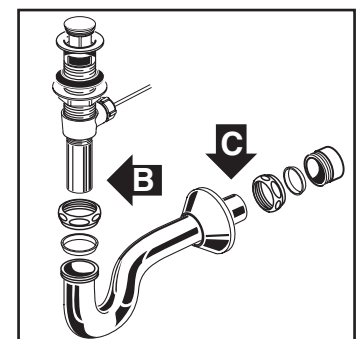


**6** Mounting holes are provided on the rear of the lavatory so it can be secured to the wall if desired.

**7** Connect supply line to faucet (finger tight) and carefully bend tubes to engage with the supply shut-off valves. Tighten connections at faucet and shut-off valves for secure seal.



**8** Connect trap to drain assembly hand tight to check alignment. It may be necessary to cut off part of the tailpiece (area "B") or part of the horizontal leg of the trap (area "C"). Secure joints for watertight assembly.



SAVE FOR FUTURE USE

# VANITY INSTALLATION

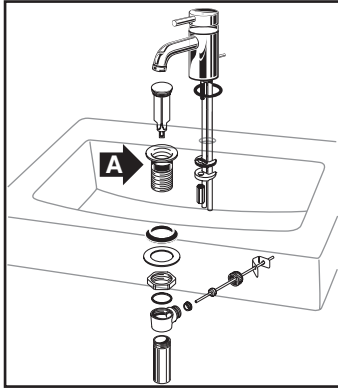
**1**

Assemble vanity as per instructions.

**4**

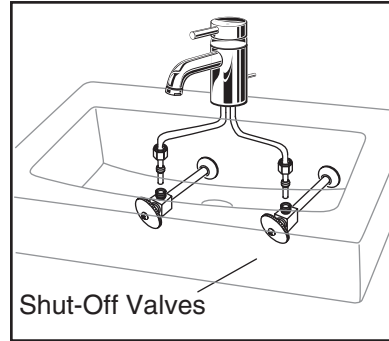
Mounting holes are provided on the rear of the lavatory so it can be secured to the wall if desired.

**2**



Mount the faucet and drain assembly (not included) on the sink following the manufacturer's instructions. Be certain to apply a bead of sealing putty on the underside of the drain (Part "A") in order to ensure a watertight seal between the sink and drain. Remove excess putty after installing drain on sink.

**5**

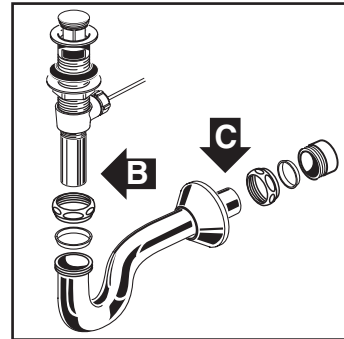


Connect supply line to faucet (finger tight) and carefully bend tubes to engage with the supply shut-off valves. Tighten connections at faucet and shut-off valves for secure seal.

**3**

- Place the sink on the vanity to check for alignment and clearance.
- The sink should be centered left to right on the vanity with the front edge of the sink even with the front of the vanity.
- Secure sink to furniture as per vanity instructions.

**6**



Connect trap to drain assembly hand tight to check alignment. It may be necessary to cut off part of the tailpiece (area "B") or part of the horizontal leg of the trap (area "C"). Secure joints for watertight assembly.

REPAIR PART NO.	DESCRIPTION
738990-0020A	CHROME OVERFLOW CAP

## Free Manuals Download Website

<http://myh66.com>

<http://usermanuals.us>

<http://www.somanuals.com>

<http://www.4manuals.cc>

<http://www.manual-lib.com>

<http://www.404manual.com>

<http://www.luxmanual.com>

<http://aubethermostatmanual.com>

Golf course search by state

<http://golfingnear.com>

Email search by domain

<http://emailbydomain.com>

Auto manuals search

<http://auto.somanuals.com>

TV manuals search

<http://tv.somanuals.com>