

User's Guide for the



# PortaBass800

Bass Amplifier Head



Proudly Made in the U.S.A. by Ampeg



# PB800 PortaBass Bass Amplifier Head

**Thank you** for choosing the Ampeg PB800 PortaBass Bass Amplifier Head. The PB800 features Ampeg's radical new Micro Dynamic Technology power amp circuitry and TWO individually adjustable input channels. This gives you the ultimate combination of power, tone, and portability in a small, lightweight package.

In order to obtain maximum performance and enjoyment from your new Ampeg amplifier, please read these instructions prior to its use.

<b>TABLE OF CONTENTS</b>	
Features .....	3
Important Safeguards and Precautions .....	3
The Front Panel Controls and Their Use .....	4
The Rear Panel .....	5
Troubleshooting .....	6
System Block Diagram .....	7
Technical Specifications .....	back cover

	<b>CAUTION</b> RISK OF ELECTRIC SHOCK DO NOT OPEN	
<small>WARNING: TO REDUCE THE RISK OF FIRE OR ELECTRIC SHOCK, DO NOT EXPOSE THIS APPARATUS TO RAIN OR MOISTURE. TO REDUCE THE RISK OF ELECTRIC SHOCK, DO NOT REMOVE COVER. NO USER-SERVICEABLE PARTS INSIDE. REFER SERVICING TO QUALIFIED SERVICE PERSONNEL.</small>		

	<b>PRECAUCION</b> RIESGO DE CORRIENTAZO NO ABRA	
<small>PRECAUCION: PARA REDUCIR EL RIESGO DE INCENDIOS O DESCARGAS ELECTRICAS, NO PERMITA QUE ESTE APARATO QUEDE EXPUESTO A LA LLUVIA O LA HUMEDAD. PARA DISMINUIR EL RIESGO DE CORRIENTAZO, NO ABRA LA CUBIERTA. NO HAY PIEZAS ADENTRO QUE EL USUARIO PUEDE REPARAR DEJE TODO MANTENIMIENTO A LOS TECNICOS CALIFICADOS.</small>		

	<b>ATTENTION</b> RISQUE D'ELECTROCUTION NE PAS OUVRIR	
<small>ATTENTION: PROTEGEZ CET APPAREIL DE LA PLUIE ET DE L'HUMIDITE AFIN D'EVITER TOUT RISQUE D'INCENDIE OU D'ELECTROCUTION. POUR REDUIRE D'ELECTROCUTION NE PAS ENLEVER LE COUVERCLE. AUCUNE PIECE INTERNE N'EST REPARABLE PAR L'UTILISATEUR. POUR TOUTE REPARATION, S'ADRESSER A UN TECHNICIEN QUALIFE.</small>		

## IMPORTANT SAFETY INSTRUCTIONS

- READ, FOLLOW, HEED, AND KEEP ALL INSTRUCTIONS AND WARNINGS.
- DO NOT OPERATE NEAR ANY HEAT SOURCE AND DO NOT BLOCK ANY VENTILATION OPENINGS ON THIS APPARATUS. FOR PROPER OPERATION, THIS UNIT REQUIRES 3" (75CM) OF WELL VENTILATED SPACE AROUND HEATSINKS AND OTHER AIR FLOW PROVISIONS IN THE CABINET.
- DO NOT USE THIS APPARATUS NEAR SPLASHING, FALLING, SPRAYING, OR STANDING LIQUIDS.
- CLEAN ONLY WITH LINT-FREE DAMP CLOTH AND DO NOT USE CLEANING AGENTS.
- ONLY CONNECT POWER CORD TO A POLARIZED, SAFETY GROUNDED OUTLET WIRED TO CURRENT ELECTRICAL CODES AND COMPATIBLE WITH VOLTAGE, POWER, AND FREQUENCY REQUIREMENTS STATED ON THE REAR PANEL OF THE APPARATUS.
- PROTECT THE POWER CORD FROM DAMAGE DUE TO BEING WALKED ON, PINCHED, OR STRAINED.
- UNPLUG THE APPARATUS DURING LIGHTNING STORMS OR WHEN UNUSED FOR LONG PERIODS OF TIME.
- ONLY USE ATTACHMENTS, ACCESSORIES, STANDS, OR BRACKETS SPECIFIED BY THE MANUFACTURER FOR SAFE OPERATION AND TO AVOID INJURY.
- WARNING: TO REDUCE THE RISK OF ELECTRIC SHOCK OR FIRE, DO NOT EXPOSE THIS UNIT TO RAIN OR MOISTURE.
- SERVICE MUST BE PERFORMED BY QUALIFIED PERSONNEL.
- OUR AMPLIFIERS ARE CAPABLE OF PRODUCING HIGH SOUND PRESSURE LEVELS. CONTINUED EXPOSURE TO HIGH SOUND PRESSURE LEVELS CAN CAUSE PERMANENT HEARING IMPAIRMENT OR LOSS. USER CAUTION IS ADVISED AND EAR PROTECTION IS RECOMMENDED IF UNIT IS OPERATED AT HIGH VOLUME.



EXPLANATION OF GRAPHICAL SYMBOLS:  
EXPLICACION DE SIMBOLOS GRAFICOS:  
EXPLICATION DES SYMBOLES GRAPHIQUES:

= "DANGEROUS VOLTAGE"  
"VOLTAJE PELIGROSO"  
"DANGER HAUTE TENSION"

= "IT IS NECESSARY FOR THE USER TO REFER TO THE INSTRUCTION MANUAL"  
"ES NECESARIO QUE EL USUARIO SE REFIERA AL MANUAL DE INSTRUCCIONES."  
"REFERREZ-VOUS AU MANUAL D'UTILISATION"



# PB800 PortaBass Bass Amplifier Head

## Features

In the world of high performance bass amps, Ampeg amplifiers stand alone. In true Ampeg tradition, the PB800 offers you more power, performance and tone than any other bass amplifier in its class. The outstanding features which set your new amplifier apart from the competition are listed below.

- **MDT POWER AMP:** Micro Dynamic Technology amplifier circuitry provides maximum power in a small lightweight package – the efficiency of this design eliminates the need for heavy heat sinks, transformers and filter capacitors
- **TWO SEPARATE CHANNELS:** Change instruments without swapping instrument cables or readjusting amp controls
- **THREE BAND ROTARY EQ:** Three bands of equalization and a selectable Middle Frequency provide optimum tone control
- **ULTRA LOW, ULTRA HIGH SWITCHES:** Enhances flexibility and tone control
- **EFFECTS LOOP:** Send and Return jacks are combined with an Effects Blend control for virtually noise-free use of your favorite effects
- **TRANSFORMER BALANCED LINE OUTPUT:** XLR jack with level control, ground lift, and a pre/post-EQ switch – for patching into house consoles, mixing boards, or external power amplifiers
- **SPEAKON® AND 1/4" SPEAKER OUTPUT JACKS:** Compatible with either type of connecting cable
- **MADE WITH PRIDE IN THE U.S.A.**

## Important Safeguards and Precautions:

All Ampeg products are designed for continuous safe operation, as long as common sense is used and steps are taken to help avoid certain problems. Abiding by the following rules can help prevent damage to your amplifier, yourself, and others.

- The amplifier is equipped with a three-pronged AC power cord. To reduce the risk of electrical shock, **NEVER** remove or otherwise attempt to defeat the ground pin of the power cord.
- Connect the amplifier **ONLY** to a properly grounded AC outlet of the proper voltage for your amp.
- Avoid sudden temperature extremes, rain and moisture. Also, avoid sudden and intense impact. (If the unit has been subjected to any of the preceding abuses, have it looked at by an authorized service center.)
- **NEVER** set the amplifier on a support that might give out under its weight.
- Always keep the total speaker impedance at or above the rated load.
- Unplug the amplifier before cleaning it. **NEVER** spray liquid cleaners onto the amplifier. Wipe it with a slightly dampened, lint-free cloth to remove dirt and film.
- Do not use the amplifier if it has sustained damage to the chassis, controls, or power cord. Refer the unit to an authorized service center for inspection.
- Amplifiers capable of producing high volume levels are also capable of inflicting permanent hearing loss or damage, if the exposure to such levels is prolonged. Such damage is progressive and irreversible! Consider using quality hearing protection devices.

### Declaration Of Conformity

#41, Effective 01-01-2001

<b>Manufacturer's Name:</b>	SLM Electronics
<b>Production Facility:</b>	1901 Congressional Drive, St. Louis, MO 63146, USA
<b>Production Facility:</b>	700 Hwy 202 W, Yellville, AR 72687, USA
<b>Shipping Facility:</b>	1400 Ferguson Ave., St. Louis, MO 63133, USA
<b>Office Facility:</b>	1400 Ferguson Ave., St. Louis, MO 63133, USA

**Product Type:** Audio Amplifier

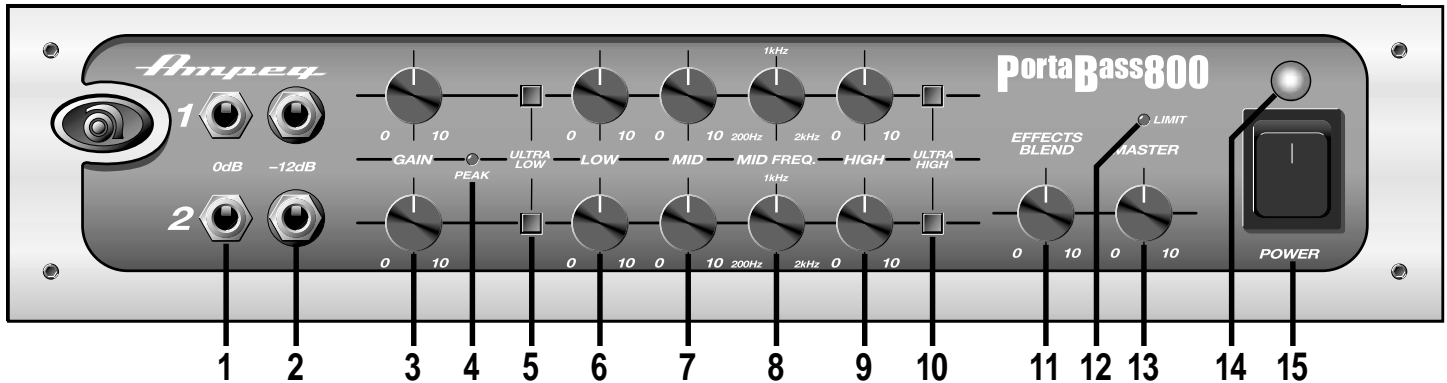
#### Complies with the following Standards:

<b>Safety:</b>	EN60065, E60065, C22.2, UL6500 and/or UL813
<b>EMC:</b>	Directive 89/336/EEC, EN55103, EN55013, EN61000, and/or FCC 47CFR 15B c/a

Supplementary information provided by:  
 SLM Electronics - R & D Engineering  
 1901 Congressional Drive, St Louis, MO 63146, USA  
 Tel.: 314-569-0141, Fax: 314-569-0175



## The Front Panel Controls and Their Use:



**Items 1 through 10 are typical for channels 1 and 2.**

**1. 0dB:** Connect your bass guitar here by means of a shielded instrument cable. If your bass has active electronics or high-output pickups, or if the Peak LED (#4) illuminates at low signal levels, connect your bass to the -12dB jack (#2).

**2. -12dB:** Connect your bass guitar here by means of a shielded instrument cable. If your bass has passive electronics or low-output pickups, or if the Peak LED (#4) does not illuminate at high signal levels, connect your bass to the 0dB jack (#1).

**3. GAIN:** Use this control to adjust the level of the signal going into the preamp. Adjust this control until the Peak LED (#4) flashes on strong signal peaks.

**4. PEAK:** This LED will illuminate when the level of the preamp signal is close to overdriving the amplifier. For the best signal to noise ratio, set the Gain control (#3) so the Peak LED flashes on strong signal spikes during normal playing of your instrument.

**5. ULTRA LOW:** This switch, when depressed, increases the low frequency output by 6dB at 40Hz.

**6. LOW:** Use this control to adjust the low frequency level of the amplifier. This control allows an adjustment of +/-16dB at 100Hz.

**7. MID:** Use this control to adjust the midrange frequency level of the amplifier. This control allows an adjustment of +/-15dB at the frequency selected by the Mid Freq control (#8).

**8. MID FREQ:** Use this control to select the frequency for the Mid control (#7). The Mid Freq is sweepable from 180Hz (fully counterclockwise) to 1.8kHz (fully clockwise).

**9. HIGH:** Use this control to adjust the high frequency level of the amplifier. This control allows an adjustment of +/-15dB at 5kHz.

**10. ULTRA HIGH:** This switch, when depressed, increases the high frequency output by 8dB at 10kHz.

**11. EFFECTS BLEND:** Use this control to adjust the level of external effects that are connected to the Effects Send and Return jacks (#21 and #20, rear panel). With this control in the fully counterclockwise position no effect is applied to the signal. As you rotate the control clockwise the level of the effect increases and the level of "dry" signal decreases.

**NOTE:** When using the effects loop with a compressor/limiter, this control must be rotated fully clockwise for optimum results.

**12. LIMIT:** This LED illuminates when the internal limit circuit is activated. This indicates that the amplifier is nearing full output and the limiter is keeping the amplifier from clipping the output signal.

**13. MASTER:** Use this control to adjust the output level of the amplifier. If the Limit LED illuminates, reduce this control until the Limit LED only flashes on strong signals.

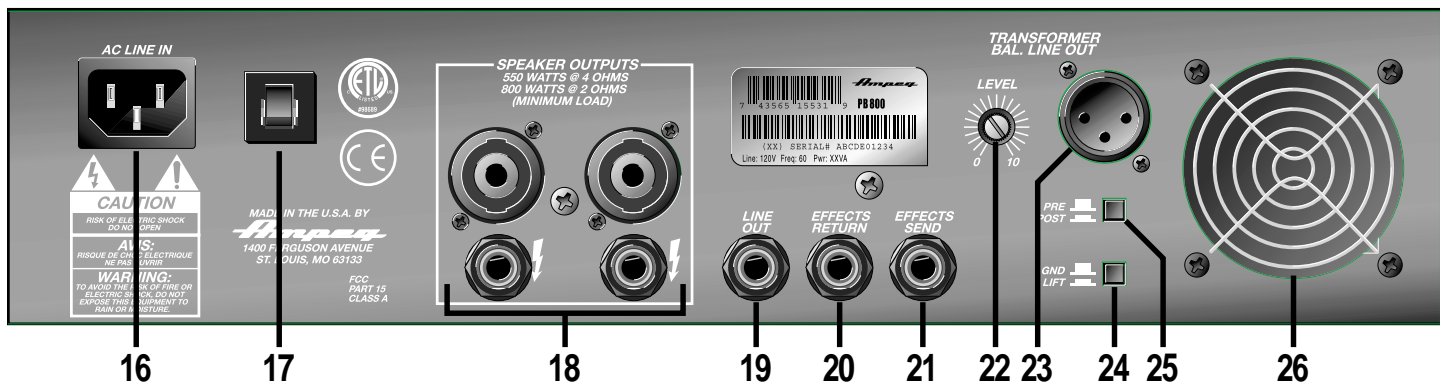
**14. POWER ON INDICATOR:** This light illuminates when the amplifier is turned on.

**15. POWER:** Use this switch to apply power to the amplifier. The amp is on when the top of the switch is depressed and off when the bottom of the switch is depressed.



# PB800 PortaBass Bass Amplifier Head

## The Rear Panel:



**16. AC LINE IN:** Firmly insert the female end of the supplied AC power cord into this socket. The grounded power cord should only be plugged into a grounded power outlet that meets all applicable electrical codes and is compatible with the voltage, power, and frequency requirements stated on the rear panel. **Do not attempt to defeat the safety ground connection.**

**17. CIRCUIT BREAKER:** The circuit breaker protects the unit from damage caused by excessive current demands. If the amplifier stops working, check the circuit breaker. If it has opened, the button will protrude showing a contrasting color. Reset the circuit breaker by depressing it until it latches. The breaker must cool down for a short time before the button will latch. If the circuit breaker opens repeatedly, have the amplifier inspected by a qualified service person.

**18. SPEAKER OUTPUTS:** Connect the amplifier to your speaker cabinet(s) using heavy gauge speaker cables terminated with the appropriate connectors. The Speakon® jack is recommended when playing at full output levels.

**ATTENTION: When connecting speaker cabinets to the amplifier, the minimum total impedance load must not be lower than two ohms.** The following chart shows the total impedance load when connecting multiple speaker cabinets in parallel:

Cabinet Impedance	# of Cabs	Total Impedance
4Ω	2	2Ω
8Ω	2	4Ω
8Ω	4	2Ω
16Ω	2	8Ω
16Ω	4	4Ω

**19. LINE OUT:** Use this 1/4" jack to send a post-EQ line level signal to an external amplifier, mixing console or recording equipment.

**20 EFFECTS RETURN:** When using an external effect, connect the effect's output into this jack by means of a shielded signal cable.

**21. EFFECTS SEND:** When using an external effect, connect this jack to the effect's input by means of a shielded signal cable.

**22. LEVEL:** Use this control to adjust the level of the signal at the Transformer balanced Line Out jack (#23).

**23. TRANSFORMER BAL. LINE OUT:** Use this XLR jack to send a line level signal to an external amplifier, mixing console or recording equipment. The signal at this jack may be pre or post-EQ, depending on the setting of the Pre/Post switch (#25).

**24 GND/LIFT:** When this switch is depressed the ground pin of the Transformer Balanced Line Out jack (#24) is interrupted. This may reduce residual hum and buzz which is sometimes picked up by line out signal cables. This switch does not affect signal at the 1/4" Line Out jack (#19).

**25. PRE/POST:** This switch determines whether the signal at the Transformer Balanced Line Out jack (#23) is pre-EQ (switch out) or post-EQ (switch depressed).

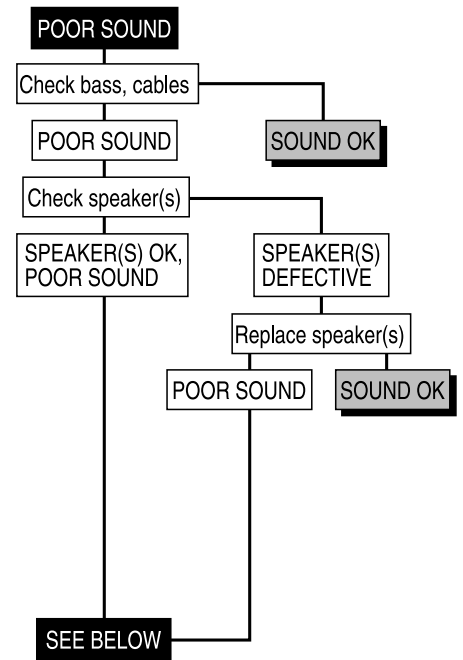
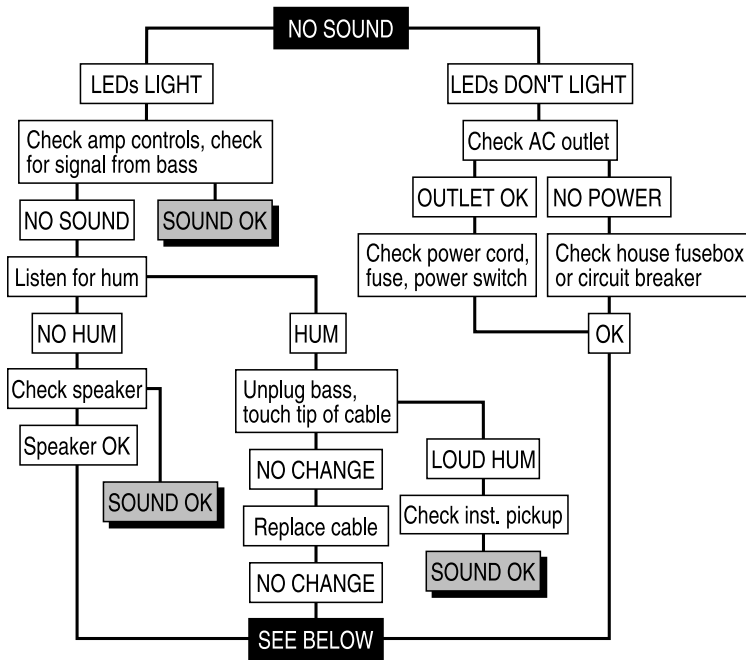
**26. FAN:** The PB800 employs an internal cooling fan to circulate air through the unit to prevent thermal overload conditions. Do not obstruct the rear or side panel air vents. Allow substantial clearance at all vents for proper air circulation at all times.





## Troubleshooting

In the unlikely event that your PB800 should malfunction, take a few minutes to troubleshoot it before you call for service. Sometimes you can save yourself time and money by doing it yourself, and often the cure for the problem is simple.

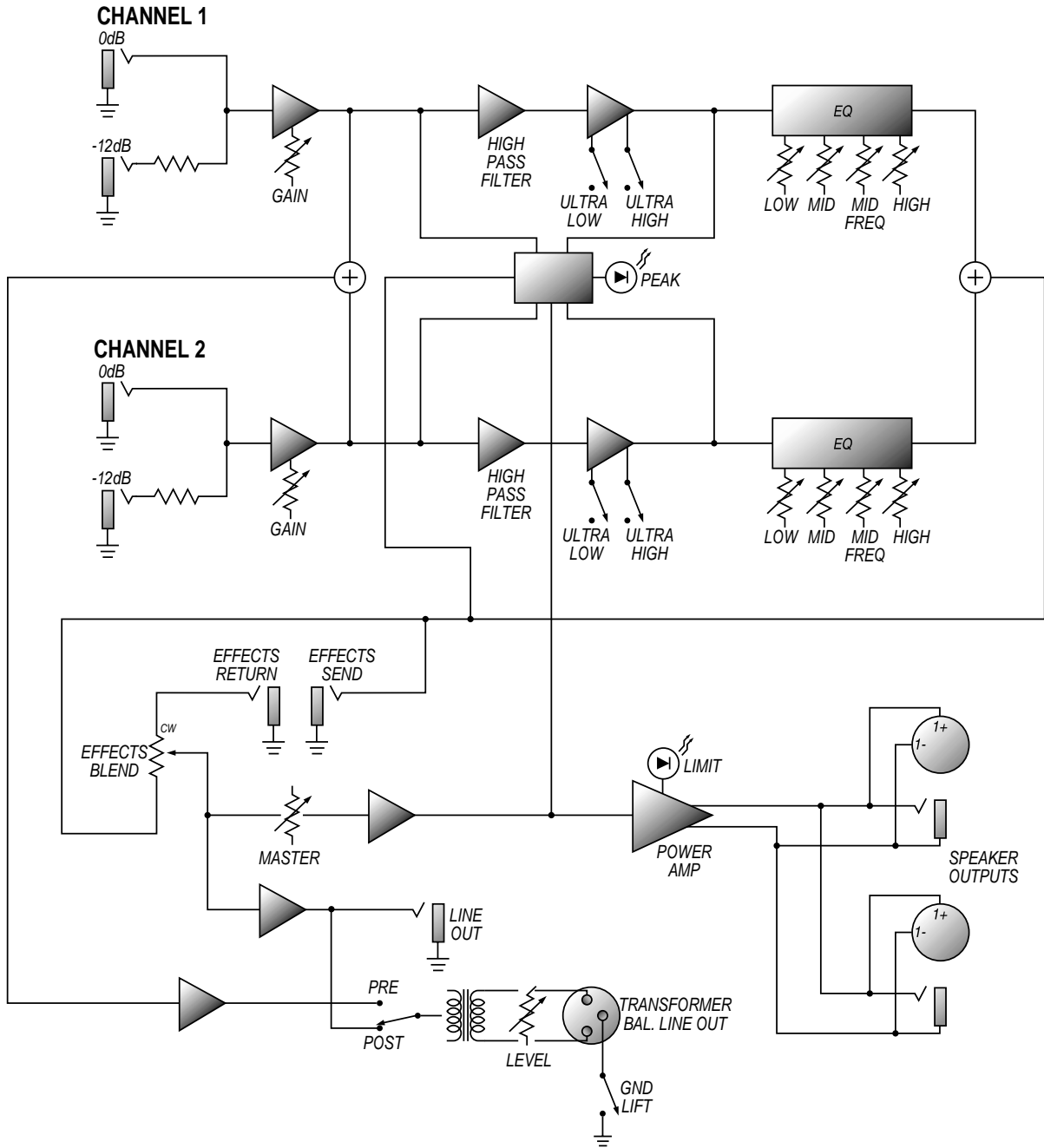


If the problem isn't covered above, or if the steps lead you here, then contact your Ampeg dealer for service information. Also, you should refer your amp to an authorized service center for servicing if it gets dropped, has liquid spilled into it, or sustains damage to its power cord (see page 3).



# PB800 PortaBass Bass Amplifier Head

## System Block Diagram





# PB800 PortaBass Bass Amplifier Head

## Technical Specifications

---

<b>OUTPUT POWER RATING</b>	800 Watts RMS, 2 ohm load, 120VAC 550 Watts RMS, 4 ohm load, 120VAC
----------------------------	--

---

### TONE CONTROLS

<b>Ultra Low:</b>	+6dB @ 40Hz
<b>Low:</b>	±16dB @ 100Hz
<b>Mid:</b>	±17dB @ Selected Frequency
<b>Mid Freq:</b>	180Hz - 1.8kHz
<b>High:</b>	±15dB @ 5kHz
<b>Ultra High:</b>	+8dB @ 10kHz

---

<b>GAIN</b>	65dB
-------------	------

---

<b>SIGNAL TO NOISE RATIO</b>	80dB typical
------------------------------	--------------

---

### POWER REQUIREMENTS

<b>Domestic:</b>	120VAC, 60Hz, 200VA typical (925VA @ full power)
<b>Export:</b>	100/120VAC, 50/60Hz, 200VA typical (925VA @ full power) 230-240VAC, 50/60Hz, 200VA typical (925VA @ full power)

---

<b>SIZE AND WEIGHT</b>	15" W x 3.75" H x 11.5" D; 22 lbs.
------------------------	------------------------------------

---

*Ampeg reserves the right to change specifications without notice.*



[www.ampeg.com](http://www.ampeg.com)



Proudly Made in the U.S.A. by Ampeg • ©2003 SLM Electronics, 1400 Ferguson Avenue, St. Louis, MO 63133 U.S.A.

P/N 47-053-11 • 12/23/03

Download from [www.Somanuals.com](http://www.Somanuals.com). All Manuals Search And Download.



## Free Manuals Download Website

<http://myh66.com>

<http://usermanuals.us>

<http://www.somanuals.com>

<http://www.4manuals.cc>

<http://www.manual-lib.com>

<http://www.404manual.com>

<http://www.luxmanual.com>

<http://aubethermostatmanual.com>

Golf course search by state

<http://golfingnear.com>

Email search by domain

<http://emailbydomain.com>

Auto manuals search

<http://auto.somanuals.com>

TV manuals search

<http://tv.somanuals.com>