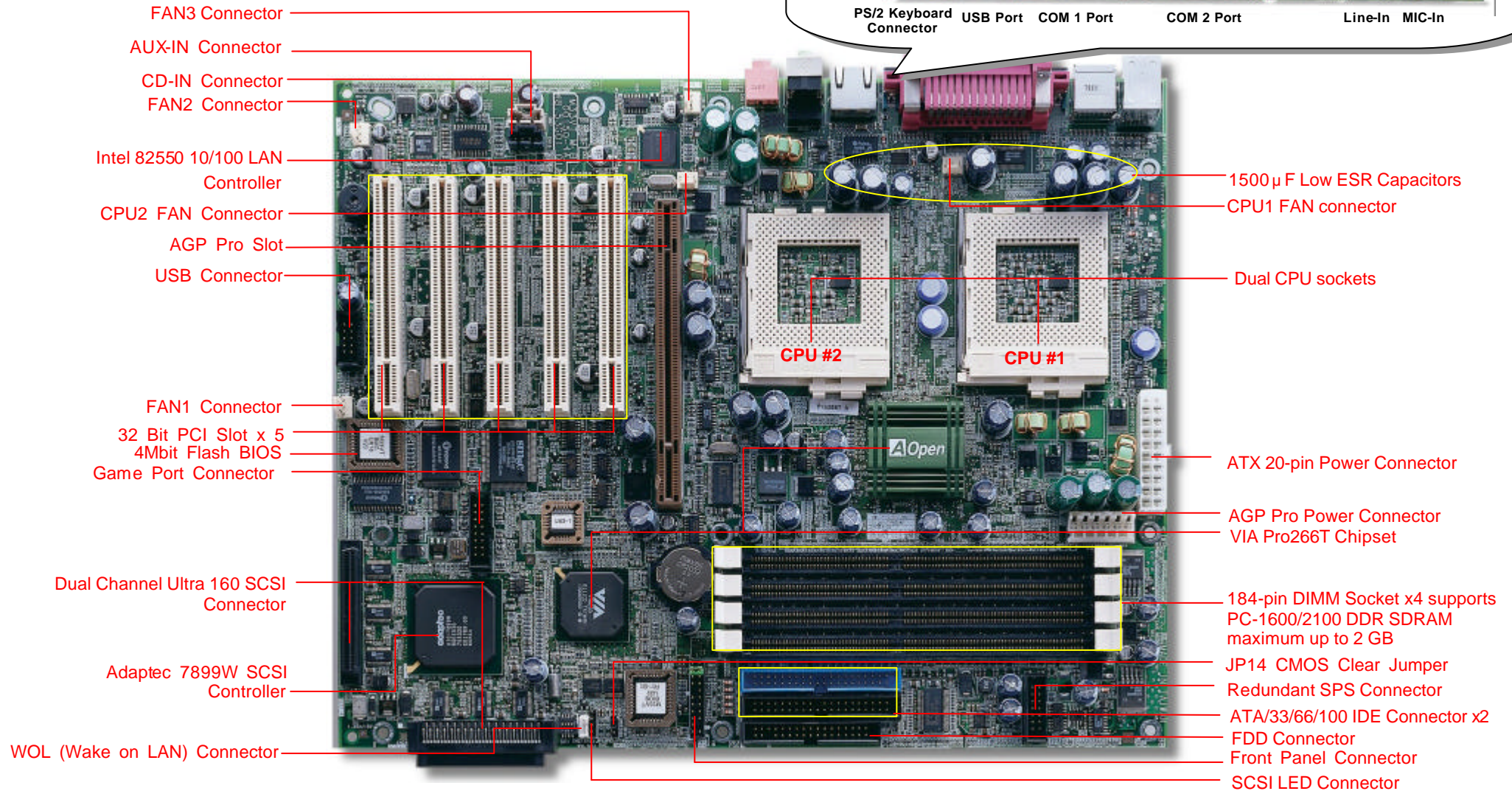
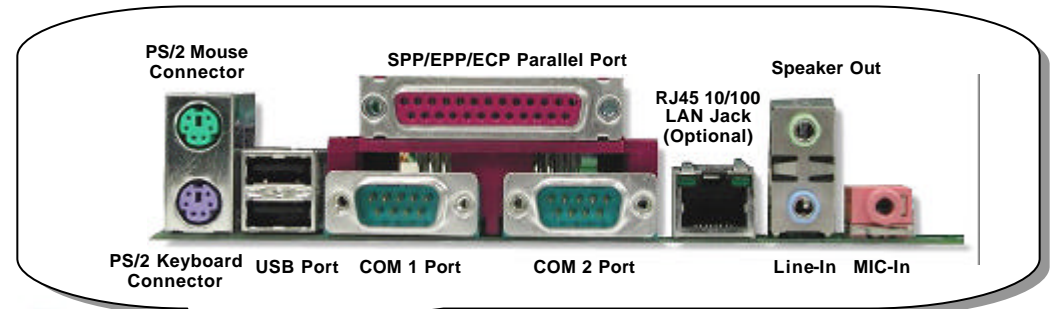


DX37 Plus-U

Easy Installation Guide



Before You Start



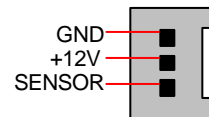
Everything you need to boot this motherboard is included in this Easy Installation Guide. For more information, a complete **Online User's Manual** can be found in the **Bonus Pack CD Disc**. Thanks for the help of saving our earth.

Accessory Checklist

- ✓ **Hard Drive IDE Cable x 1**
- ✓ **80-Wire IDE Cable x 1**
- ✓ **Floppy Drive Cable x 1**
- ✓ **Ultra 160 SCSI 68 pin Cable x 1**
- ✓ **Bonus Pack CD disc x 1**
- ✓ **User Manual x 1**
- ✓ **This Easy Installation Guide x 1**
- ✓ **I/O Bracket x 1**
- ✓ **ASM Lite x 1**
- ✓ **SCSI Utility Driver x 1**

PART NO: 90.53G30.002

DOC. NO: DX37PU-EG-E0110A

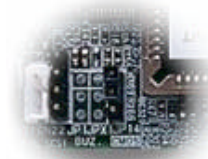
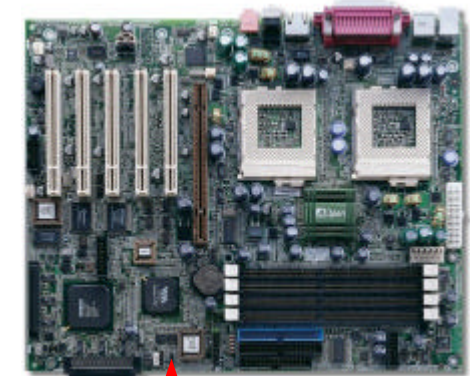
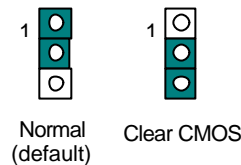


FAN1 Connector

1. JP14 Clear CMOS

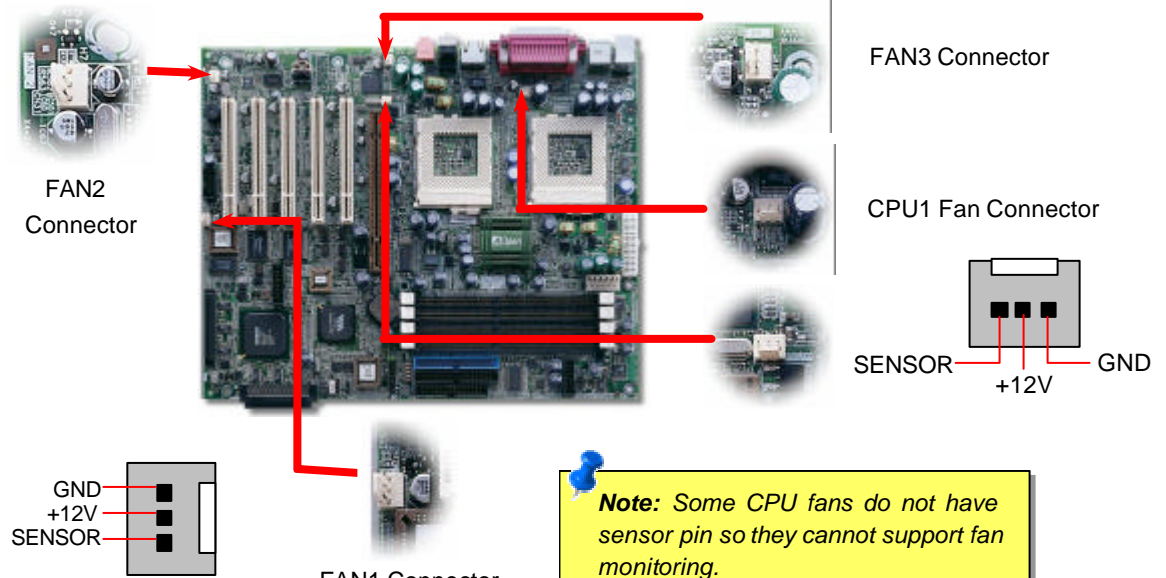
You can clear CMOS to restore system default setting. To clear the CMOS, follow the procedure below.

1. Turn off the system and unplug the AC power.
2. Remove ATX power cable from connector PWR2.
3. Locate JP14 and short pins 2-3 for a few seconds.
4. Return JP14 to its normal setting by shorting pin 1 & pin 2.
5. Connect ATX power cable back to connector PWR2.



2. Installing CPU & System Fan

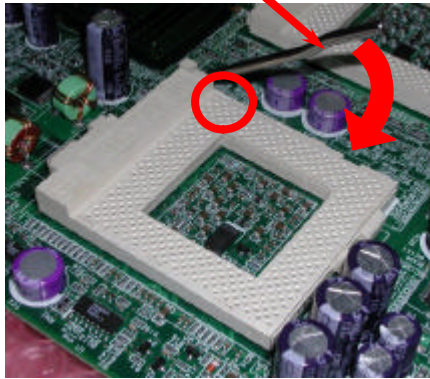
Plug in the CPU fan cable to the 3-pin **CPU1 FAN** and **CPU2 FAN** connector. If you have chassis fan, you can also plug it on **System FAN** (FAN2) or **AUX FAN** (FAN3) connector.



Note: Some CPU fans do not have sensor pin so they cannot support fan monitoring.

3. Installing Processor

CPU socket lever



CPU Pin 1 and cut edge

1. Pull up the CPU socket level and up to 90-degree angle.
2. Locate Pin 1 in the socket and look for a (golden) cut edge on the CPU upper interface. Match Pin 1 and cut edge. Then insert the CPU into the socket.
3. Press down the CPU socket level and finish CPU installation.

Note: If you do not match the CPU socket Pin 1 and CPU cut edge well, it may damage the CPU.

4. Supported CPU Type

The DX37 Plus-U supports Intel® Socket 370 Pentium III series CPU. Including the code name Tualatin 512K cache CPU for dual CPU configuration.

	Processor Name	CPU Package
Single Processor	Pentium II	All
	Pentium III	All
Dual Processor	Pentium II	All
	Pentium III	Coppermine
	Pentium III 512K	Tualatin

5. Setting CPU Voltage & Frequency

Setting CPU Core Voltage

This motherboard supports CPU VID function. The CPU core voltage will be automatically detected and the range is from 1.05V to 1.825V. It is not necessary to set CPU Core Voltage

Setting CPU Frequency

This motherboard is CPU jumper-less design, you can set CPU frequency through the BIOS setup, no jumpers or switches are needed.

BIOS Setup > Frequency / Voltage Control > CPU Speed Setup

Core Frequency = CPU FSB Clock * CPU Ratio

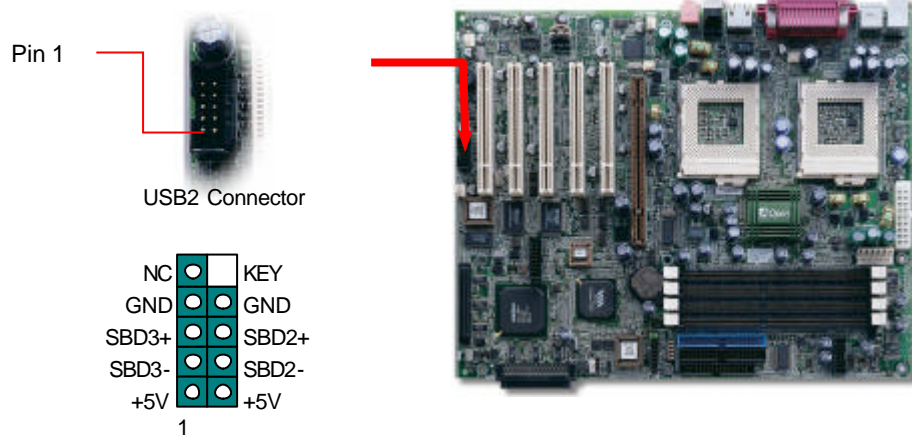
CPU Ratio	3x, 3.5x, 4x, 4.5x, 5x, 5.5x, 6x, 6.5x, 7x, 7.5x, 8x, 8.5x, 9x, 9.5x, 10x, 10.5x, 11x, 11.5x, 12x, 12.5x, 13x, 13.5x, 14x, 14.5x, 15x, 15.5x and 16x
CPU FSB (By BIOS Table)	100 and 133 MHz

CPU	CPU Core Frequency	FSB Clock	Ratio
Pentium III 600E	600MHz	100MHz	6x
Pentium III 650E	650MHz	100MHz	6.5x
Pentium III 700E	700MHz	100MHz	7x
Pentium III 750E	750MHz	100MHz	7.5
Pentium III 800E	800MHz	100MHz	8x
Pentium III 850E	850MHz	100MHz	8.5x
Pentium III 533EB	533MHz	133MHz	4x
Pentium III 600EB	600MHz	133MHz	4.5x
Pentium III 667EB	667MHz	133MHz	5x
Pentium III 733EB	733MHz	133MHz	5.5
Pentium III 800EB	800MHz	133MHz	6x
Pentium III 866EB	866MHz	133MHz	6.5
Pentium III 933EB	933MHz	133MHz	7x
Pentium III 1G	1GHz	133MHz	7.5x
Pentium III 1.13G	1.13GHz	133MHz	8.5x
Pentium III 1.26G	1.26GHz	133MHz	9x

Warning: We strongly recommend you do not overclocking your CPU and system for get more system reliability.

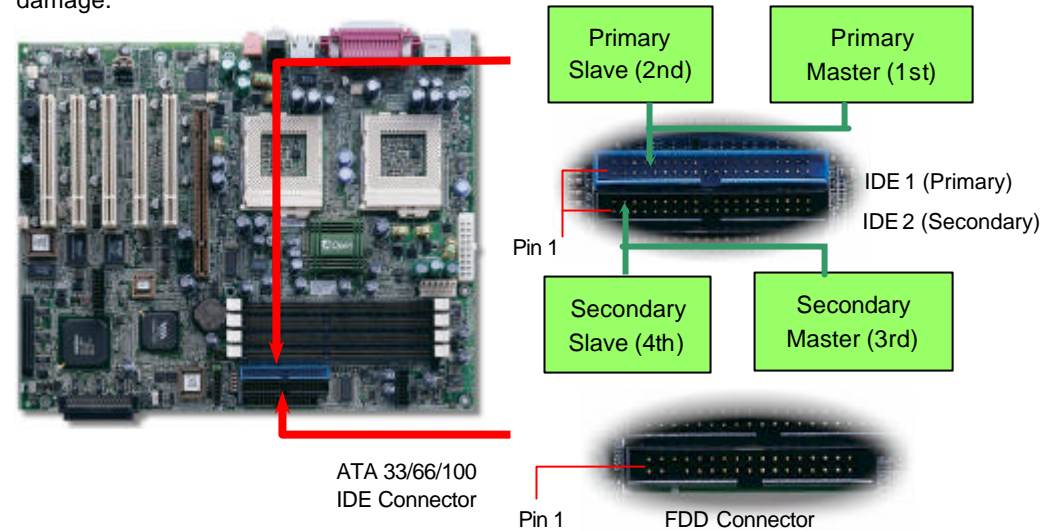
6. Support Four USB Connectors

This motherboard provides four [USB](#) connectors to connect USB devices, such as mouse, keyboard, modem, printer, etc. There are two connectors on the PC99 back panel. You can use proper cable to connect other USB connectors to the back panel or front panel of chassis.



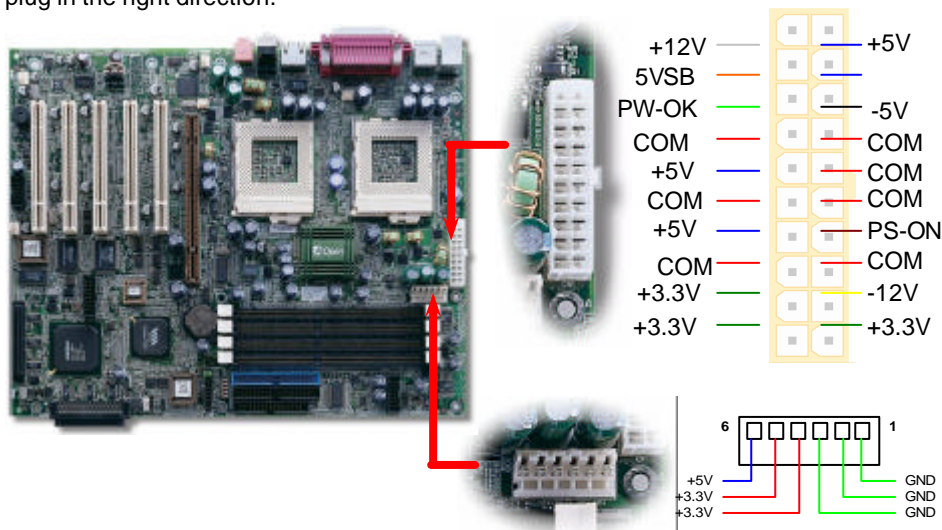
8. Connecting IDE and Floppy Cables

Connect 34-pin floppy cable and 40-pin, 80-wire IDE cable to floppy connector FDC and IDE connector. Be careful of the pin1 orientation. Wrong orientation may cause system damage.



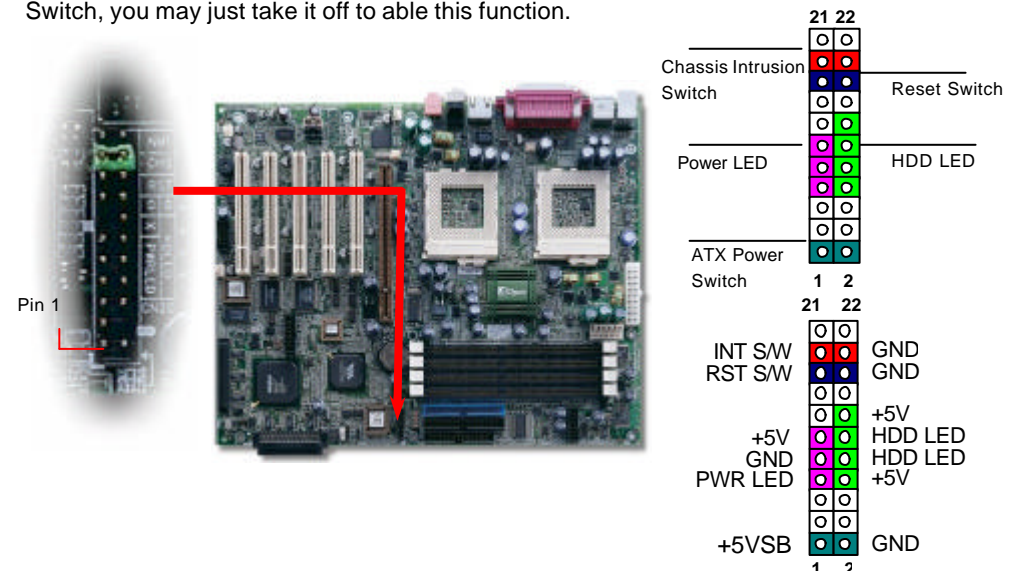
7. Connecting ATX and AGP Pro Power Connector

The DX37Plus-U uses standard ATX power connector. The 6pin AGP Pro Power connector provides extra +5V and +3.3V power for AGP Pro VGA card. Make sure you plug in the right direction.



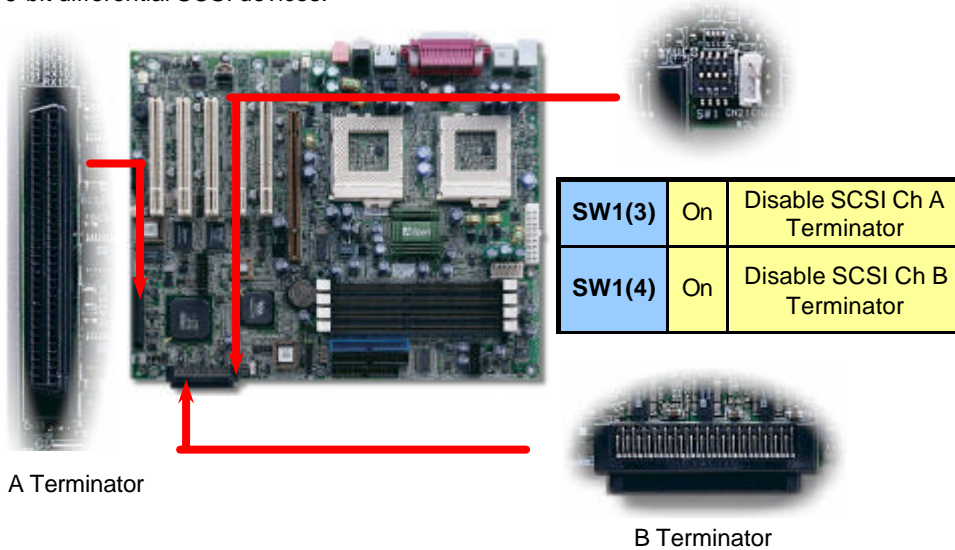
9. Connecting Front Panel Cable

Attaching such as power LED, speaker, reset switch, power switch connector, etc.... to corresponding pins. The green cap on pin 19 & 20 is to disable Chassis Intrusion Switch, you may just take it off to able this function.

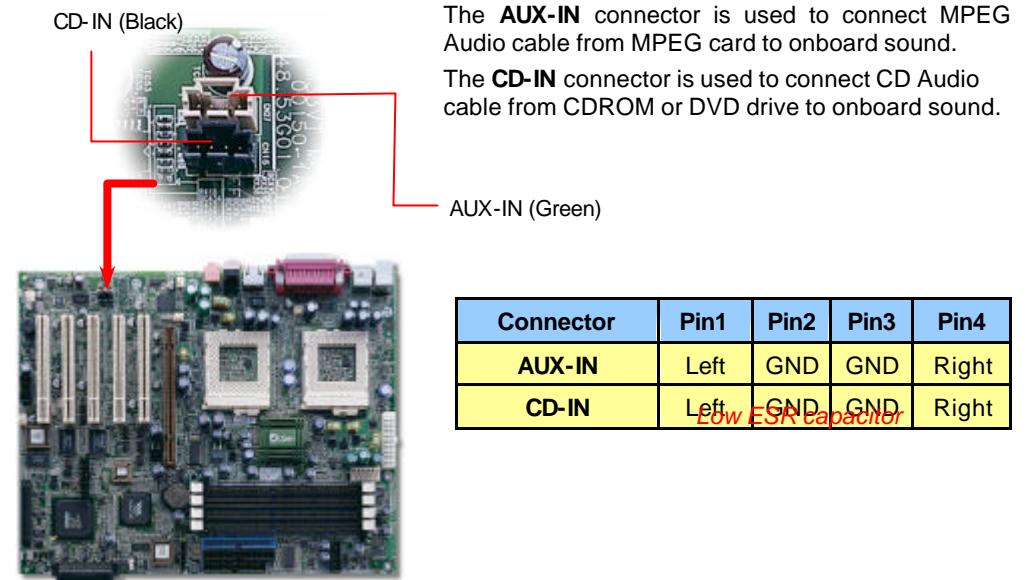


10. Connecting 68-pin Ultra 160 SCSI Cable

The DX37Plus-U provides two 68-pin Ultra Wide/Ultra 2/3 SCSI connectors for 16-bit or 16-bit differential SCSI devices.

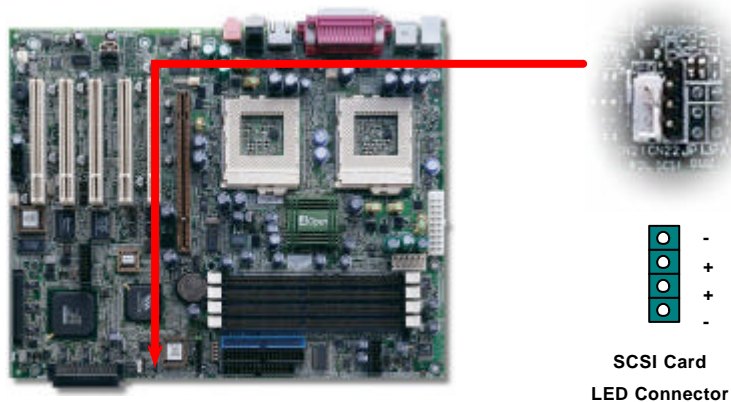


12. Connecting CD / AUX Connector



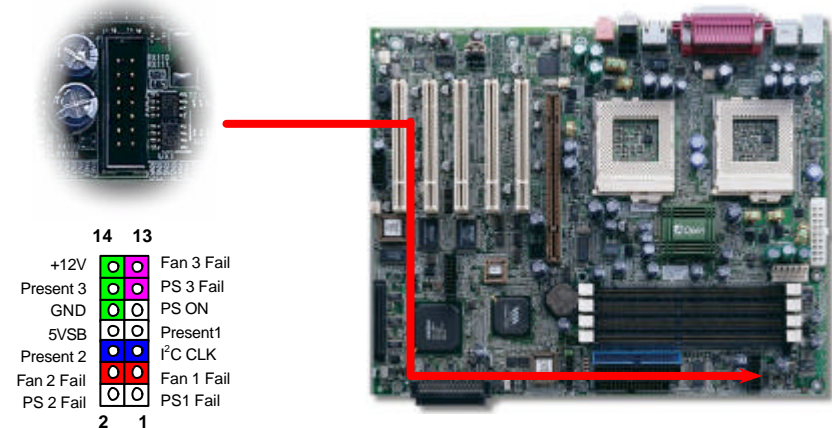
11. Connecting SCSI Card LED Connector

The 4-pin SCSI LED connector can be connected to a PCI SCSI control card activity LED connector. Read or write activity by devices connected to the SCSI card will transfer a signal to Front Panel and thus making the LED lighting up.



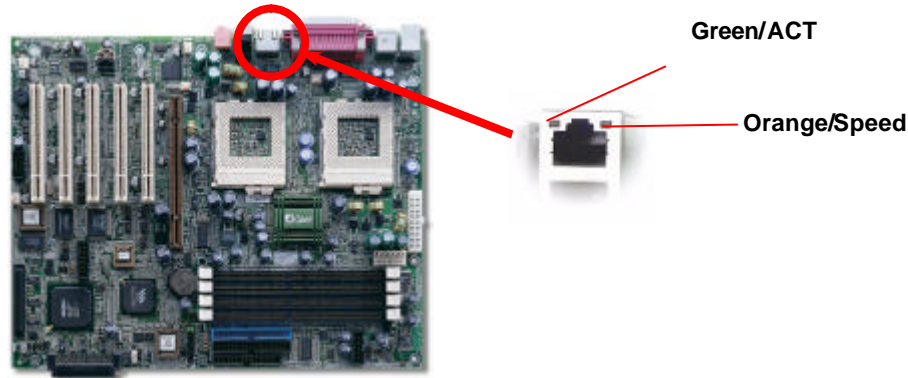
13. Redundant SPS Monitoring Connector

This motherboard implements Redundant SPS monitoring connector to provide hardware monitoring signals. It is feasible to install an additional 337-watt power supply module (optional with AOpen Server Housing) in a hot swappable configuration. If any SPS failed, a signal will be sent to a hardware monitoring device.



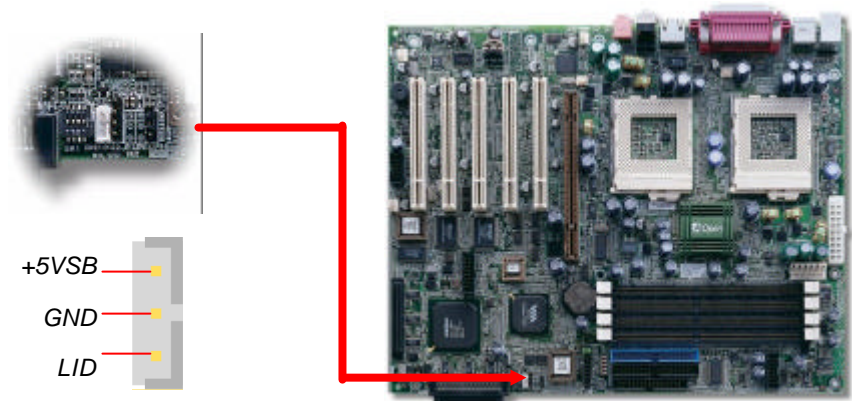
14. Support 10/100 Mbps LAN onboard

The South Bridge V8233 of VIA Apollo Pro266T chipset includes a fast Ethernet controller on chip. On the strength of Intel 82550 PHY on board, which is a highly-integrated Platform LAN Connect device, it provides 10/100Mbps Ethernet for office and home use, the Ethernet RJ45 connector is located on the back panel. The green LED indicates the link mode, it lights when linking to network and blinking when transferring data. The orange LED indicates the transfer mode, and it lights when data is transferring in 100Mbps mode. To enable or disable this function, you may simply adjust it through BIOS.



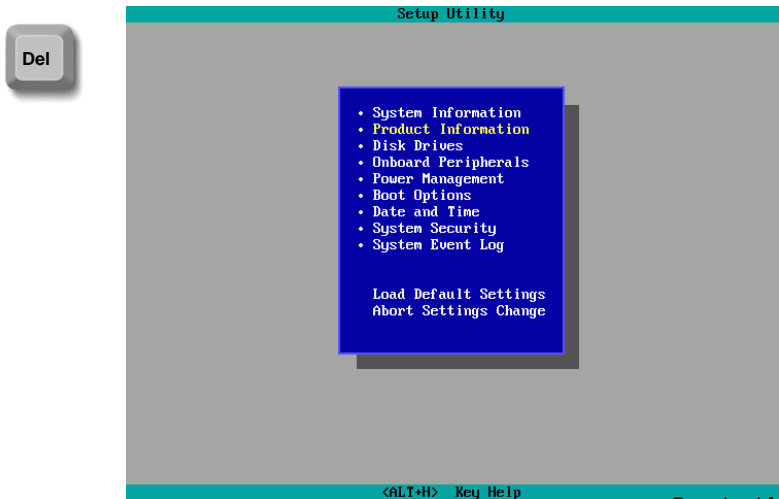
16. Wake On LAN

To use Wake On LAN function, you must have a network card with chipset that supports this feature, and connect a cable from LAN card to motherboard WOL connector. The system identification information (probably IP address) is stored on network card and because there is a lot of traffic on the Ethernet, you need to install a network management software, such as ADM, for the checking of how to wake up the system. Note that, at least 600mA ATX standby current is required to support the LAN card for this function.



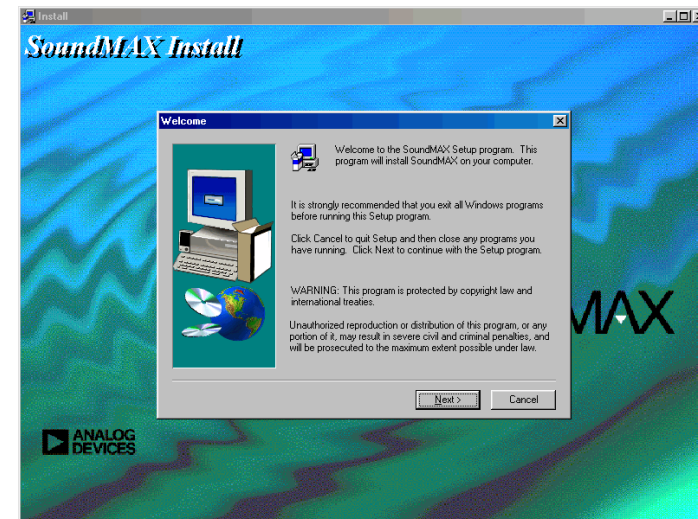
15. Power-On and Load BIOS Setup

After you finish the setting of jumpers and connect correct cables. Power on and enter the BIOS Setup, press during POST (Power On Self Test). Choose "Load Default Setting" for recommended optimal performance.



17. Installing Onboard Sound Driver

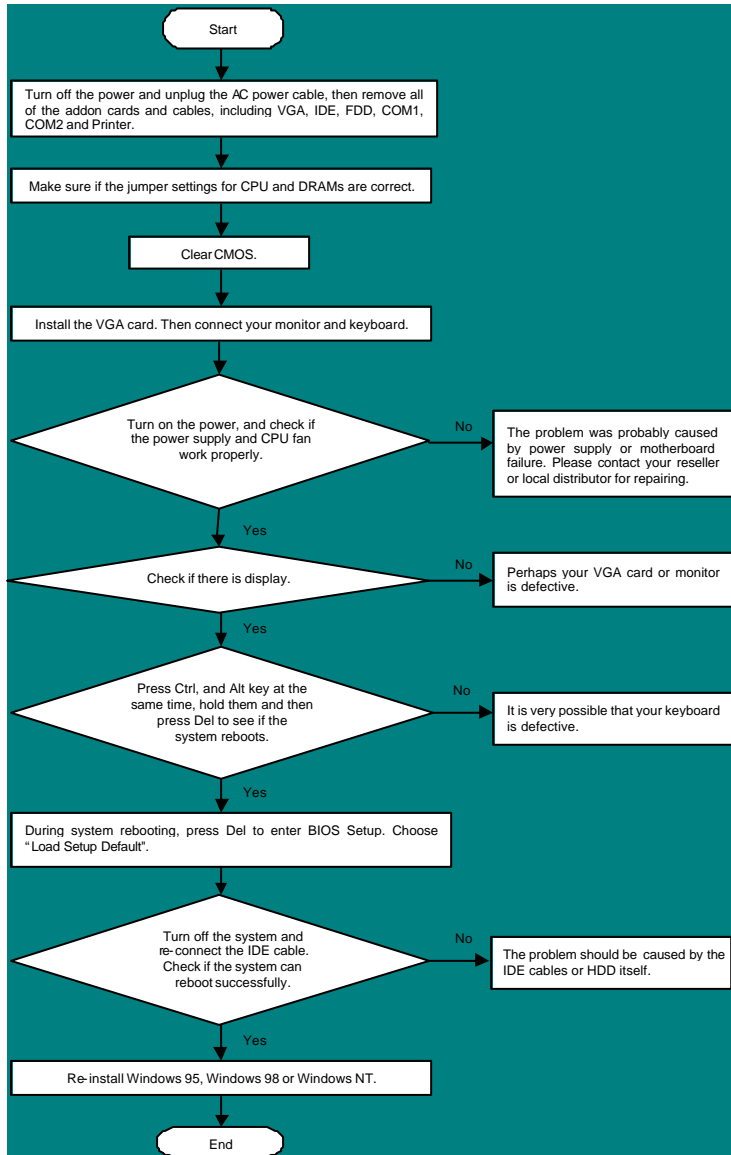
This motherboard comes with an AD 1885 AC97 CODEC, you can find the audio driver from the Bonus Pack CD disc auto-run menu.





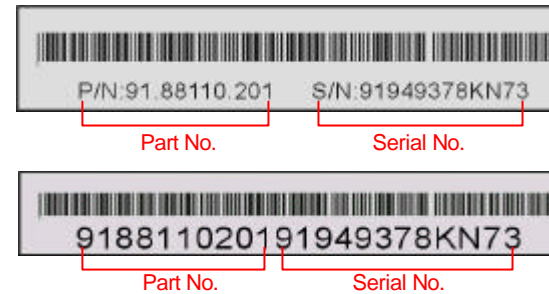
Troubleshooting

If you encounter any trouble to boot your system, follow the procedures accordingly to resolve the problem.



Part Number and Serial Number

The Part Number and Serial number are printed on bar code label. You can find this bar code label on the outside packing, on ISA/CPU slot or on component side of PCB. For example:



P/N: 91.88110.201 is part number, **S/N: 91949378KN73** is serial number.



Technical Support

Dear Customer,

Thanks for choosing AOpen products. To provide the best and fastest service to our customer is our first priority. However, we receive numerous emails and phone-calls worldwide everyday, it is very hard for us to serve everyone on time. We recommend you follow the procedures below and seek help before contact us. With your help, we can then continue to provide the best quality service to more customers.

Thanks very much for your understanding!

AOpen Technical Supporting Team

Pacific Rim
AOpen Inc.
Tel: 886-2-2696-1333
Fax: 886-2-8691-2233

Europe
AOpen Computer b.v.
Tel: 31-73-645-9516
Fax: 31-73-645-9604

China
艾? ? ? 上海(股)有限公司
Tel: 49-2102-157700
Fax: 49-2102-157799

Germany
AOpen Computer GmbH.
Tel: 49-2102-157700
Fax: 49-2102-157799

America
AOpen America Inc.
Tel: 1-510-498-8928
Fax: 1-408-922-2935, 1-408-432-0496

Web Site: www.aopen.com

E-mail: Send us email by going through the contact form below.

English <http://www.aopen.com.tw/tech/contact/techusa.htm>

Japanese <http://aojp.aopen.com.tw/tech/contact/techjp.htm>

Chinese <http://w3.aopen.com.tw/tech/contact/techtw.htm>

German <http://www.aopencom.de/tech/contact/techde.htm>

French <http://aofr.aopen.com.tw/tech/contact/techfr.htm>

Simplified Chinese <http://www.aopen.com.cn/tech/contact/techcn.htm>

1

Online Manual: Please check the manual carefully and make sure the jumper's settings and installation procedure are correct.
<http://www.aopen.com.tw/tech/download/manual/default.htm>

2

Test Report: We recommend to choose board/card/device from the compatibility test reports for assembling your PC.
<http://www.aopen.com.tw/tech/report/default.htm>

3

FAQ: The latest FAQ (Frequently Asked Questions) may contain a solution to your problem.
<http://www.aopen.com.tw/tech/faq/default.htm>

4

Download Software: Check out this table to get the latest updated BIOS/utility and drivers.
<http://www.aopen.com.tw/tech/download/default.htm>

5

News Group: Your problem probably had been answered by our support engineer or professional users on the news group.
<http://www.aopen.com.tw/tech/newsgrp/default.htm>

6

Contact Distributors/Resellers: We sell our products through resellers and integrators. They should know your system configuration very well and should be able to solve your problem more efficient n important reference for you if next time you want to buy something else from them.

7

Contact Us: Please prepare detail system configuration and error symptom before contacting us. The **part number**, **serial number** and **BIOS version** are also very helpful.

Free Manuals Download Website

<http://myh66.com>

<http://usermanuals.us>

<http://www.somanuals.com>

<http://www.4manuals.cc>

<http://www.manual-lib.com>

<http://www.404manual.com>

<http://www.luxmanual.com>

<http://aubethermostatmanual.com>

Golf course search by state

<http://golfingnear.com>

Email search by domain

<http://emailbydomain.com>

Auto manuals search

<http://auto.somanuals.com>

TV manuals search

<http://tv.somanuals.com>