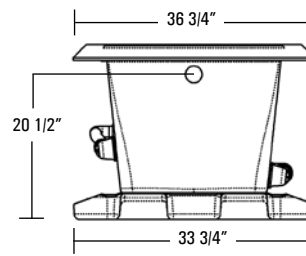
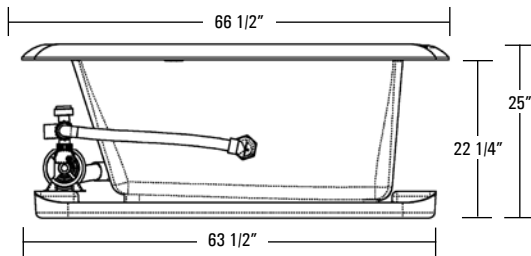
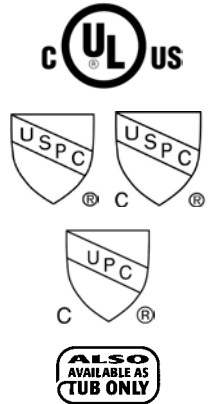
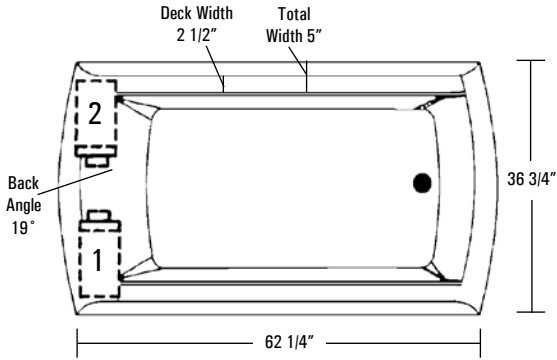
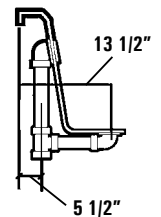


HOTSOAK 89 MOTIF AQUATIC

HOTSOAK SERIES MODEL # AI31AIR6636HS / AI31AIR6636TO (Tub Only)



Rough-In Plumbing Measurements



SPECIFICATIONS:

GENERAL SPECIFICATIONS:

Tub Size	66 1/2" x 36 3/4" x 25"
	169 cm x 93.3 cm x 63.5 cm
Bathing Well	40" long
	19 1/2" wide
	23" interior depth
Maximum Water Depth	18"
Shipping Weight	183 lbs. / 86 kg
Tub Weight Filled	742 lbs. / 337 kg
Tub Only Weight	98 lbs. / 44 kg
Weight w/Equipment	111 lbs. / 50 kg
Gallons to Overflow	76 gal. / 288 L

ELECTRICAL SPECIFICATIONS:

Pump	1/15 HP; 1.3 AMP; 110V
Heater	1.5 kW; 12.5 AMP; 110V
Requirements	20 AMP; 110V, separate circuit required protected w/ Class A GFCI

STANDARD EQUIPMENT:

Aquatic Quality Features:

- 1.5 kW Inline Maintenance Heater
- Run-Dry Pump with 20-Minute Timer
- 2 Circulation Portal Covers
- Bath-Side On/Off Electronic Button
- "Quiet Pad" Anti-Vibration Pump Mount for Quiet Operation
- Slip Resistant Floor
- Extra Deep and Long Bathing Well
- Pre-leveled ABS Support Base
- Heat-bent Rigid PVC Piping for Optimum Sanitary Conditions
- Durable, Easy to Clean, Lucite® Cast Acrylic Surface
- Available in 8 Standard No-Charge Colors

UL & IAPMO Listed, Factory Tested
Limited Lifetime Warranty

OPTIONAL EQUIPMENT:

- Chromotherapy*
- Comfort Pillow - Oval or Rectangle
- Bolt-On Grab Bar
 - White, Biscuit, Chrome, Polished Brass, Gold, Polished Nickel, Satin Nickel or Oil Rubbed Bronze
- Lift & Turn Waste and Overflow
 - Chrome, Polished Brass, Gold, Polished Nickel, Satin Nickel or Oil Rubbed Bronze
- Cable Drive Waste and Overflow
 - Chrome, Polished Brass, Gold, Polished Nickel, Satin Nickel, Oil Rubbed Bronze or Color Matched (Bone, White and Biscuit Only)
- Optional Pump Location
- Premium Colors

All acrylic colors featured by Aquatic match the industry's leading fixture manufacturers.

**This whirlpool will need to be hard wired to the breaker box. Three outlets will be supplied on the whirlpool.*

This unit is not recommended for shower installations.

**Fax-On-Demand
Document #1306**



Free Manuals Download Website

<http://myh66.com>

<http://usermanuals.us>

<http://www.somanuals.com>

<http://www.4manuals.cc>

<http://www.manual-lib.com>

<http://www.404manual.com>

<http://www.luxmanual.com>

<http://aubethermostatmanual.com>

Golf course search by state

<http://golfingnear.com>

Email search by domain

<http://emailbydomain.com>

Auto manuals search

<http://auto.somanuals.com>

TV manuals search

<http://tv.somanuals.com>