



XL TALL TANK DISHWASHER INSTALLATION INSTRUCTIONS

IMPORTANT!
Read all of these instructions
before installing the dishwasher.

AUTOMATIC HIGH LOOP

The drain hose is fastened to the back of the machine at the best height. To eliminate potential drain problems, leave this hose in place.

CONTENTS

Introduction	2
What You Need	2
Dimensions	3
Preparing the Location	3
Water Supply	4
Drain Connections	5
Electrical Connections	6
Preparing the Dishwasher for Installation	6
Moving the Machine into Place	7
Connecting the Electric Cable	8
Connecting the Water Supply	8
Adjusting the Leveling Legs	9
Fastening the Dishwasher to the Cabinet	9
Installing the Toe Kick	9
Fitting the D3252XLFI, D3532XLFI, and D3532XLFIWS Custom Door Panel	10
Index	12

SAVE THESE INSTRUCTIONS FOR FUTURE REFERENCE

INTRODUCTION

Read these instructions carefully and completely before you install the machine. The installation should be carried out by a qualified person who is familiar with all local codes and ordinances for electrical and plumbing connections.

If a dishwasher is being installed in this area for the first time, most of the cabinet work, plumbing, and electrical has to be done before you move the machine into place.

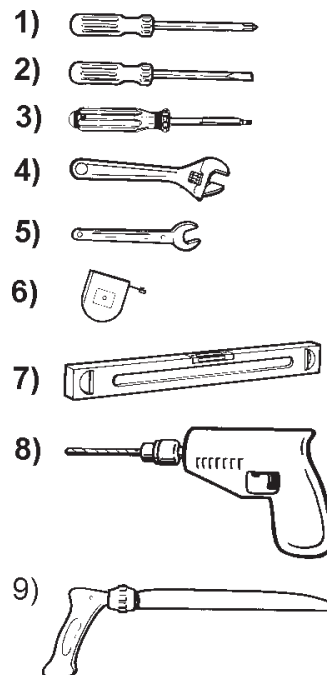
If you are replacing an old dishwasher, you must check the plumbing connection and wiring before you move the new dishwasher into place.

NOTE: Cosmetic damage must be reported to the ASKO dealer **within five days** from the date of purchase. As soon as you unpack the dishwasher, thoroughly check it for cosmetic damage.

WHAT YOU NEED

TOOLS

- 1) Phillips No. 2 screwdriver
- 2) Flat blade screwdriver
- 3) Torx screwdriver size T 20
- 4) Adjustable wrenches (if you use copper fittings)
- 5) Open-ended wrench (1/2" [12 mm] or 5/8" [16 mm])
- 6) Tape measure
- 7) Spirit level
- 8) Electric drill with 1" drill bit
- 9) Keyhole saw



MATERIALS

- ◆ Minimum 3/8" OD copper tubing of sufficient length for your installation
- ◆ Shut-off valve and fittings for water supply line

Tip Guards (optional)

When it is not possible to attach the dishwasher to the cabinet or the underside of the cabinet top, you should install tip guards to prevent the machine from tipping when you open the door.



Tip Guards
(P/N 8070851)

Refer to page 4 for installation instructions.

The dishwasher is shipped with the high loop drain hose, inlet hose and electrical cord attached and ready to be connected.

TECHNICAL DATA

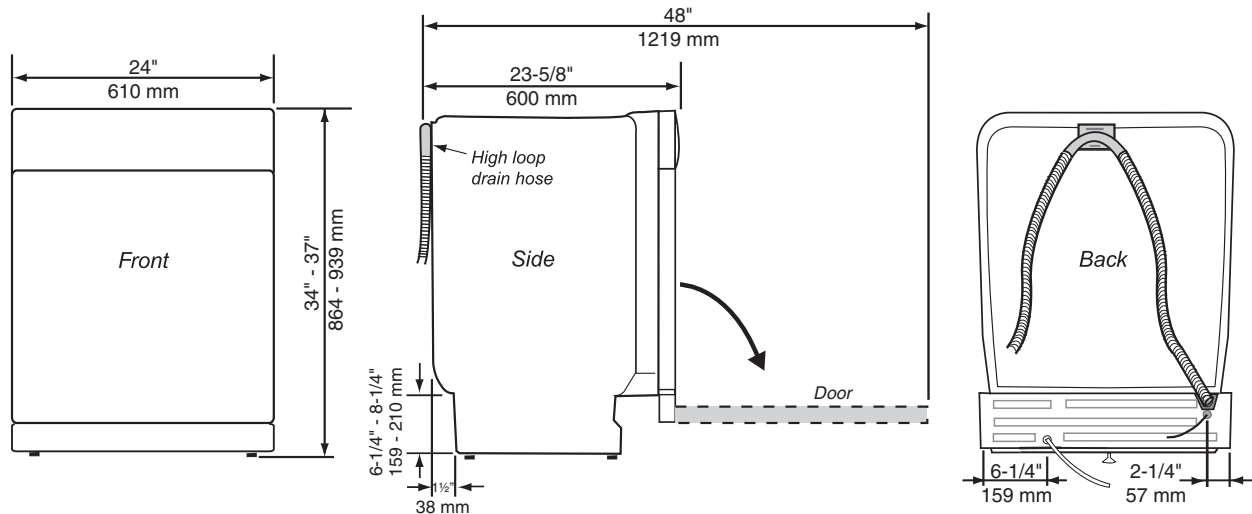
Water pressure	18-176 psi
Power	120 V, 60 Hz, 15 amp.
Heating element	1200 W
Max loading	1300 W



DIMENSIONS

UNIT DIMENSIONS

	US Measurements	Metric Measurements
Height	34" - 37"	864 - 939 mm
Width	24"	610 mm
Depth	23-5/8"	600 mm
Depth w/door open	48"	1219 mm
Weight	104 lb	48 kg



PREPARING THE LOCATION

The best place for your dishwasher is in the kitchen near the sink. This makes it easier to connect the water and drain supply lines.

A built-in dishwasher must be enclosed on the top, both sides and the back.

The electrical and water supplies should enter through the area indicated by the shading on the illustration at right.

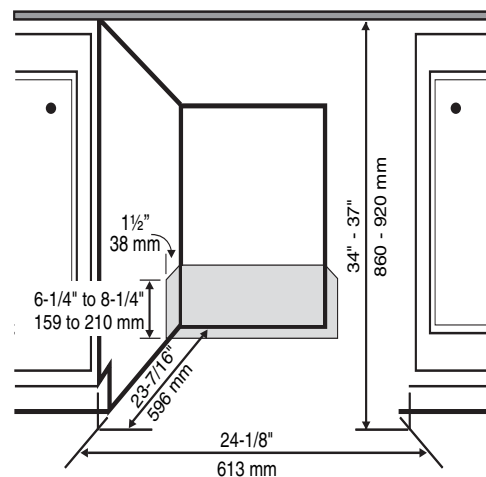
Access holes must be round and smooth, and they should be 1-1/2" (38mm) in diameter.

EUROPEAN INSTALLATIONS

The kick plate supplied with your dishwasher fits a 24" (610 mm) opening. When using European standard installation, a 23-1/2" (597 mm) wide toe kick is available from your ASKO dealer. (Part numbers: White=8073566-0, Black=8073566-29, Metallic=8073566-81, Bisque=8059758-84)

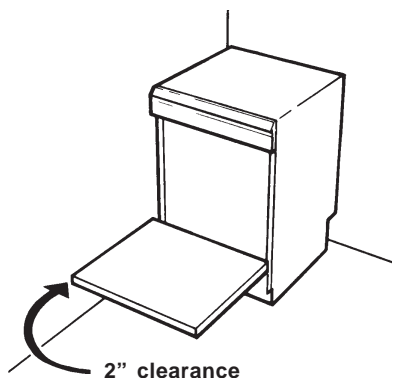
CABINET OPENING

	US Measurements	Metric Measurements
Height	34" - 37"	864 - 939 mm
Width	24-1/8"	613 mm
Depth	23-5/8"	600 mm



CORNER INSTALLATION

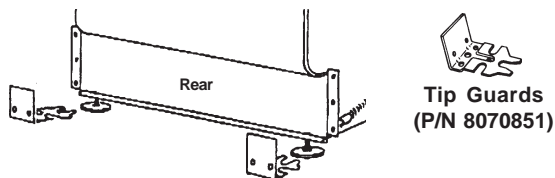
If the dishwasher is installed in a corner, there must be a minimum clearance of 2" (50 mm) from the side wall so the door can open.



INSTALLING THE TIP GUARDS (OPTIONAL)

When it is not possible to fasten the dishwasher to the cabinet, you should install tip guards to prevent the machine from tipping when the door is opened. The tip guards can be attached either to the floor or the wall.

The tip guards should be mounted behind the machine, 19" (483 mm) apart (measuring center to center) and 18-1/2" (470 mm) from the front of the machine. (Note: This measurement could vary, depending on the thickness of the custom panel, if any.)



We recommend that you install tip guards when it isn't possible to fasten the dishwasher to the cabinet.

WATER SUPPLY

WARNING! Plumbing connections must comply with applicable sanitary, safety and plumbing codes in your area.

The machine can be connected to either a hot or cold water supply. If a cold water supply is used, the washing times will be longer but the performance will not be affected.

The dishwasher comes with a 6-foot PEX water supply line that has a 3/8" NPT female connection.

After determining where the water supply line will enter under the sink, drill a 1-1/2" (38 mm) access hole and run the line to the approximate inlet valve location shown in the figure below. The water line inlet valve is on the right rear of the machine.

For service convenience, a shut-off valve (not supplied) should be installed in the supply line in an easily accessible location, such as, beneath the sink.

It is important that the water supply line and the shut-off valve have a sufficient flow volume. At least 3 gallons (12 liters) per minute must be able to pass through the line. The water pressure should be 18-176 psi.

EASYINSTALL CONNECTIONS

PEX tubing with 3/8" compression fitting

PEX tubing has a 95-year spec life. Fits American dishwasher water supply valves.



Drain hose boot

Ready to be cut to desired drain connection. Only one clamp required.



Electrical cord

110-120 volts, 15/20 amp cord supplied with unit.

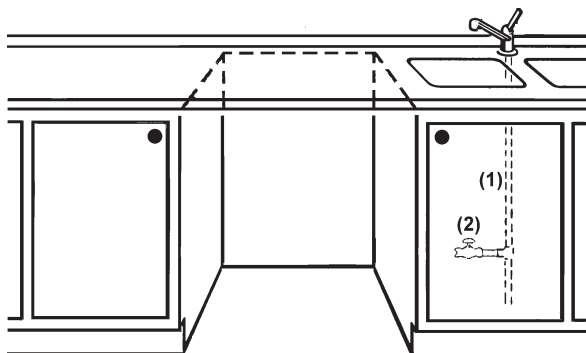


WARNING!

Do not use an extension cord for this appliance.

WARNING!

In order to prevent heat damage to the inlet valve, all solder connections must be made before the water line is connected to the dishwasher.



- (1) Water supply
- (2) Water supply valve (not supplied)

NOTE: Be sure to run the PEX tubing through the hole to sink compartment before moving the dishwasher into position.

DRAIN CONNECTIONS

ASKO provides a 7/8" (22 mm) corrugated drain hose which is connected to the back of the unit to form a high loop. If additional drain hose is added and any joints or connections can be no smaller than 7/8" O.D. Stock.

NOTE: Do not use any fittings anywhere in the drain line that are less than 7/8" (22 mm) O.D. Stock.

The access hole for the drain line should be 1-1/2" (38 mm).

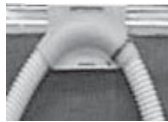
The end of the drain line is 1/2" (12 mm), but it is adjustable to 7/8", 3/4", 5/8" (22mm, 19 mm, and 16 mm). If the drain connection is larger than 1/2" (12 mm), you can easily cut the drain line to fit the connection.

The illustrations to the right show three ways to connect the drain supply line.



THE HIGH LOOP

The high loop is necessary for proper draining. Therefore, all ASKO dishwashers have the drain hoses attached to the drain pump and fastened to the top back of the unit, as illustrated. This gives the drain hose an automatic high loop, which is necessary for proper draining. The drain hose is fastened at the best high loop height.



To eliminate potential drain problems, simply leave this hose in place.

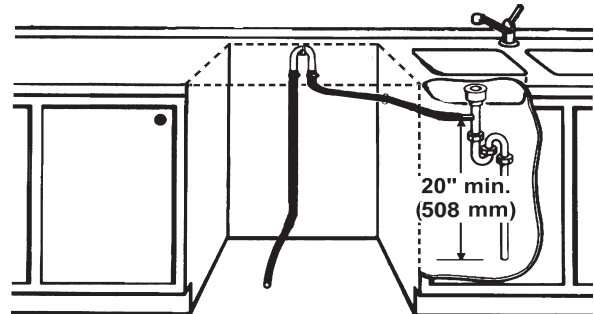
IMPORTANT THINGS TO REMEMBER:

- ◆ Failure to provide the proper drain connection height (minimum of 20" (508 mm) above the bottom of the dishwasher base) or a 20" (508 mm) high loop will result in improper drainage, which will damage the machine.
- ◆ No part of the drain hose should be higher than 35" (889 mm) from the bottom of the dishwasher.
- ◆ The drain hose can be extended to a maximum length of 10 feet (3048 mm). Joints and jointed tubes, if any, must have a minimum 7/8" (22 mm) O.D. Stock.
- ◆ If the drain line is going to be connected to a waste disposer, be sure to remove the knockout or plug from the fitting on the disposer before connecting the drain line.
- ◆ Do not use fittings smaller than 7/8" (22 mm); otherwise the water may not drain properly.

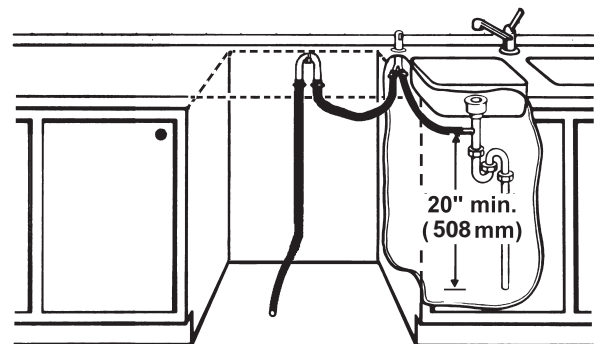
When the installation is ready, open the supply valve and let the pressure act for a while. Then check that all connections are tight and there are no leaks.

THREE WAYS TO INSTALL DRAIN CONNECTIONS

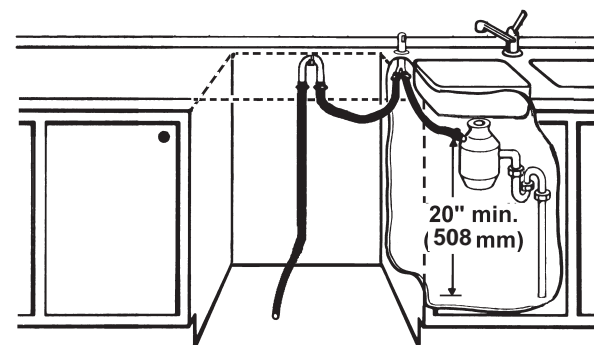
A.) Typical connection to sink plumbing before trap (high loop drain)



B.) Connection to air gap then to the trap



C.) Connection to waste disposer with air gap



NOTE: Don't forget to remove the knockout or plug from the disposer fitting.

ELECTRICAL CONNECTIONS

WARNING! Before working on wiring for any electrical appliance, be sure the electrical power has been turned off at the breaker/fuse box.

WARNING! Disconnect electrical power supply and place a tag at the disconnect switch indicating that you are working on the circuit.

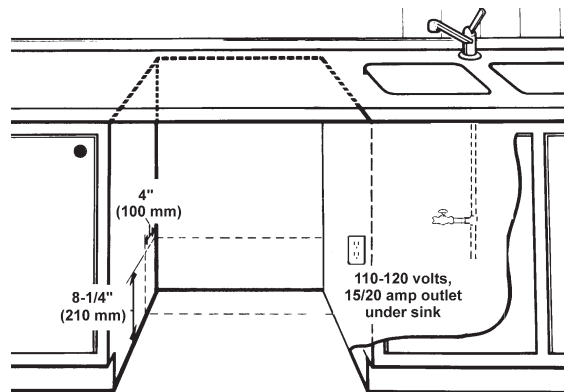
WARNING! Electrical and grounding connections must comply with the applicable portions of the national electrical code and/or other local electrical codes.

The dishwasher comes with an electrical cord for 110-120 volts, 15/20 amp supplied. This cord should be plugged into the 110-120 volt outlet under the sink.



If the cord is not long enough, or if a hard-wire installation is needed, follow instructions on page 8.

WARNING! Do not use an extension cord for this appliance.



NOTE: Access holes should be 1-1/2" to 2" (38 mm to 50 mm) in diameter with no sharp edges.

GROUNDING INSTRUCTIONS

This unit must be grounded to operate properly. It must be connected to a grounded metal, permanent wiring system, or an equipment-grounding conductor must be run with the circuit conductors and connected to the equipment-grounding terminal or lead of the appliance.

Damage to the dishwasher could occur if it is not properly grounded.

WARNING! Make sure the water supply line, drain line and branch circuit wiring do not touch any exposed terminals of dishwasher wiring.

PREPARING THE DISHWASHER FOR INSTALLATION

At this point the styrofoam, plastic wrap, and the wood pallet (base) should be removed from the dishwasher. Now is an excellent time to inspect for any shipping damage. Should you find any damage, you should report it to your dealer or builder *immediately*.

Be sure to remove the toe kick and toe kick insulation which are on top of the dishwasher.

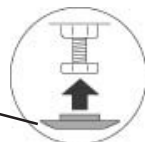
THE FILL STRIPS

All Asko Tall Tank dishwashers come with color-coded fill strips to finish out the installation.

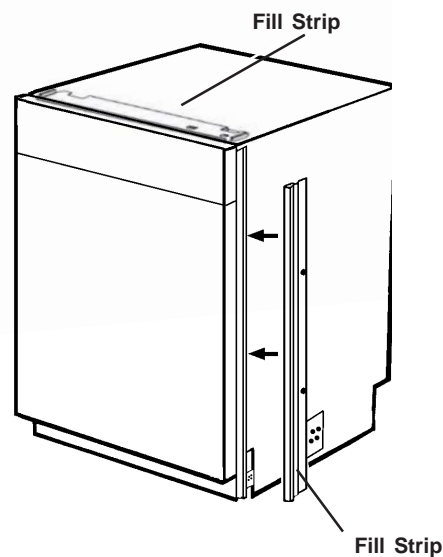
(Not on all models)

SLIDES FOR LEGS

The unit comes with white plastic slides for the legs to protect the kitchen floor from being damaged when you slide the unit into place. The slides simply snap onto the bottom of the legs.



Protective slides for legs simply snap onto the bottom of the legs.



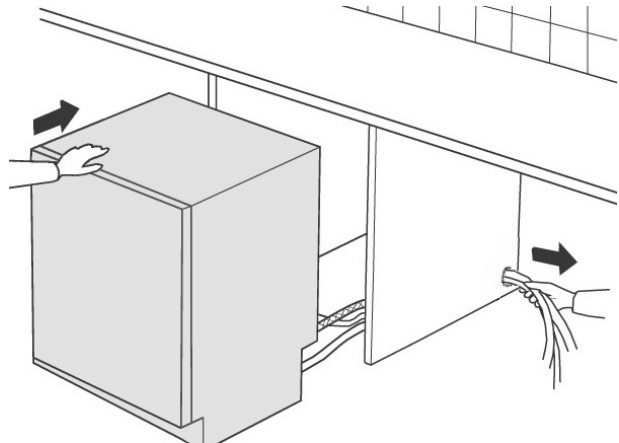
NOTE: If the cabinet opening is European measurement (23-1/2 inches [597 mm]), remove the fill strips to fit the dishwasher into the opening.

MOVING THE MACHINE INTO PLACE

WARNING!

Make sure you put the protective slides on the legs to prevent damaging the floor when you slide the unit into place (see page 6).

1. Position the machine in front of the cabinet opening.
2. Make the height adjustment while the dishwasher is in front of the opening.
3. Pull out the drain hose to ensure there are no sharp bends.
4. Start to feed water and drain lines and electric cord (if necessary) into the access hole in the cabinet.
5. Gently slide the unit into the dishwasher opening. As you do this, feed the drain line and inlet hose into the access hole in the side of the cabinet.



As you slide the unit into place, feed the drain line and inlet hose into the access hole in the side of the cabinet.

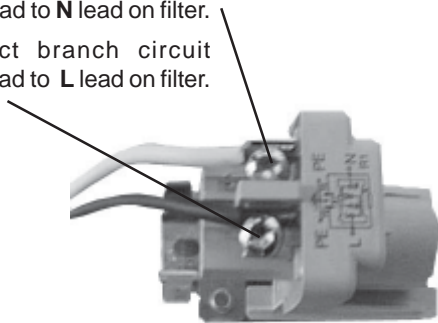
WARNING! Be careful of sharp edges.

CONNECTING THE ELECTRIC CABLE

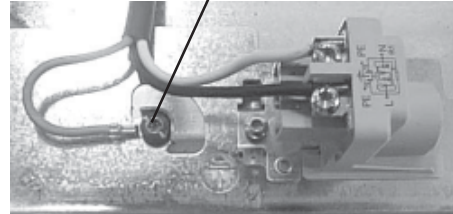
If the cord is not long enough, or if a hard-wire installation is needed, follow the steps below to complete the electrical connection.

WARNING! Before starting this procedure, be sure the power is turned off at the breaker/fuse box.

1. Connect supply cable with a UL-listed strain relief bushing (if nonmetallic cable is to be used).
2. Connect branch circuit white lead to **N** lead on filter.
3. Connect branch circuit black lead to **L** lead on filter.



4. Connect ground wire to ground connection screw on the bottom.



NOTE: When doing a hard-wire installation, you must remove the supplied power cord.

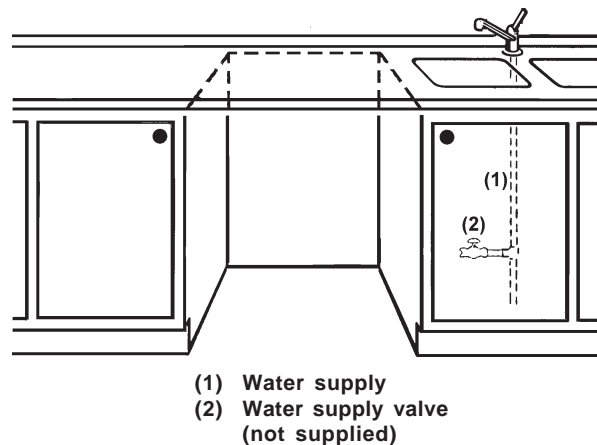
CONNECTING THE WATER SUPPLY

In order to prevent heat damage to the inlet valve, all solder connections must be made before the water supply line is connected.

Flush the water supply line prior to connecting it to the water fill tube.

The unit has a float switch in the base pan to protect against flooding. If the inlet valve connection is not seated properly, water may leak into the base pan and activate the float switch.

It is important that the water supply line and the shut-off valve have a sufficient flow volume. At least 3 gallons (12 liters) per minute must be able to pass through the line. The water pressure should be 18-176 psi.



NOTE: Be sure to run the PEX tubing through the hole to sink compartment before moving the dishwasher into position.

TESTING FOR LEAKS

1. Turn on the water supply and check for leaks.
2. Turn the power on at breaker/fuse box and test the dishwasher operation by running a Rinse cycle. (This should take about four minutes.)
3. Turn off the electrical power and check for leaks

under the dishwasher and sink.

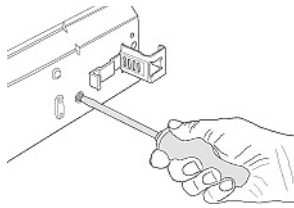
4. Make sure that no kinks have developed in the drain lines.

If there are no leaks and the dishwasher seems to be working properly, continue with the installation.

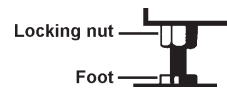
ADJUSTING THE LEVELING LEGS

Now that all the connections are made and the machine is in place under the cabinet, you should make the final height adjustment.

1. You should set the rear foot first. To do this, use a screwdriver to rotate the adjusting screw on the bottom front of the machine. Turn the screw clockwise to raise the foot and counterclockwise to lower it.



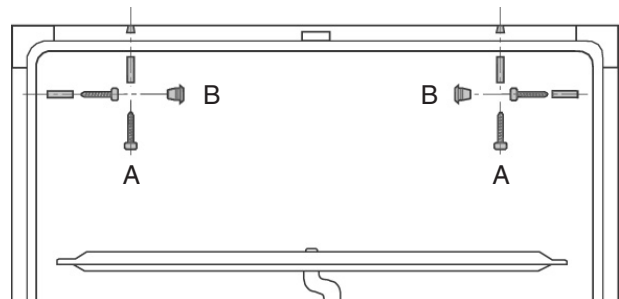
2. Using a 1/2" (12 mm) wrench, adjust the locking nuts until the machine is level. (The machine may have an inclination of 1/4" maximum without affecting its performance.)
3. When the feet are properly adjusted, tighten the locking nuts to the base pan.



FASTENING THE DISHWASHER TO THE CABINET

It's necessary to fasten the dishwasher to the cabinet so it won't tilt when the door is opened or if something heavy is placed on the door. Use only screws provided with the machine.

1. Use option A for U.S. or European standard installations. Use option B only for European standard installations.
2. Cover the screw heads with the plastic plugs provided with the machine.
3. When the machine is properly attached, check that the feet are tight against the floor and that the machine is level.

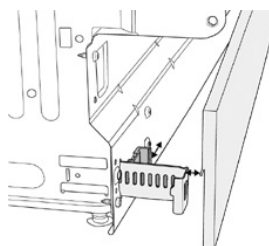


NOTE: When it is not possible to attach the dishwasher to the cabinet, you should install tip guards. (See "Tip Guards" on page 2.)

INSTALLING THE TOE KICK

SETTING THE TOE KICK DEPTH

1. Press the grey catches toward each other to release the bracket.
2. Pull out the holders as far as required.
3. Press in the catches so that they lock the brackets in place.
4. Hang the toe kick onto the holders by inserting it into the grooves.



Once you have the toe kick bracket in place, you can install the toe kick, as follows:

1. Lay the insulation on the back side of the toe kick to make sure it fits properly.
2. Peel the adhesive protection strip off the insulation and press it firmly to the back side of the toe kick, making sure you don't cover any slots on the toe kick.
3. Positioning the notches on the toe kick at the edge of the access panel, slide the toe kick up behind the access panel then let it slide to the floor.
4. Adjust the toe kick depth.

FITTING THE D3252XLFI, D3532XLFI AND D3532XLFIWS CUSTOM DOOR PANEL

The D3252XLFI, D3532XLFI, and D3532XLFIWS can only be installed with a fully-integrated custom door panel that extends from the toe kick to the counter top. The unit comes with everything needed to make installing the door panel easy. The door is predrilled for the panel's mounting screws.

ITEMS PROVIDED WITH THE UNIT

- ◆ Two 3/8" screws
- ◆ Four 1-3/4" screws

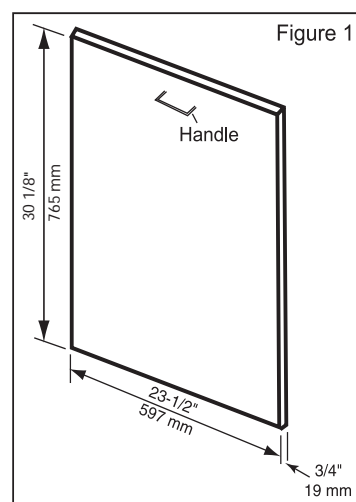
CUSTOM PANEL DIMENSIONS

Width: 23-1/2" (597 mm)
Height: 30 1/8" (765 mm)
(Measured from the top of the panel to the lower edge of the kitchen cabinet.)
Thickness: 3/4" (19 mm) max
Weight: Up to 22 lb.

Fit the handle onto the panel according to the manufacturer's instructions. (NOTE: A handle should be used rather than a knob, because a knob does not provide enough grip.)

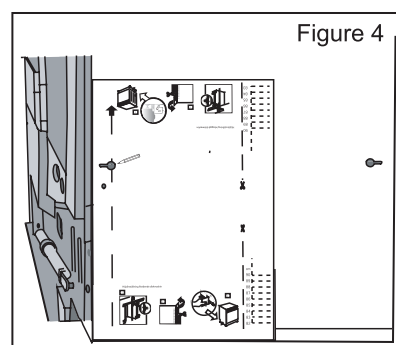
NOTE: Before fitting the custom panel, the dishwasher must be installed underneath the cabinet. After you've made the required measurements, pull the machine out again to install the panel.

NOTE: Specifications subject to change without notice.



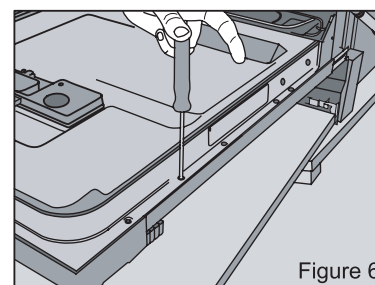
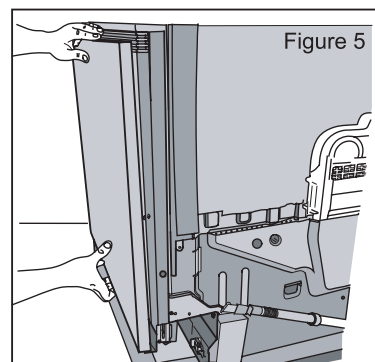
PREPARING THE WOOD PANEL FOR MOUNTING

1. Lay the template edge-to-edge with the lower edge of the dishwasher door or the adjusting frame. The broken line on the template must pass through the center of the keyholes on the door.
2. Using a pen or screw, punch holes in the template where the keyholes are.
3. Lay the template on the back of the wood panel, edge-to-edge with the rear of the lower edge and the left edge of the panel.
4. Mark the location of the hole on the panel.
5. Turn the template over and lay it on the right side of the wood panel and mark the location of the second hole.
6. Screw the short screws into the markings on the wood panel, letting them project by about 1/16".



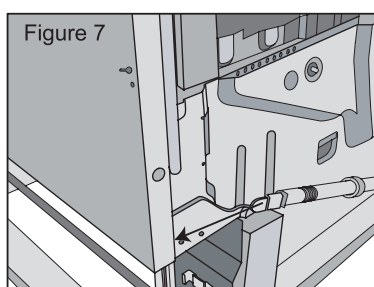
MOUNTING THE WOOD PANEL

1. Locate the screw heads in the keyholes and push the wood panel to one side and align with the door. (Figure 5)
2. Clamp the wood panel to the dishwasher door to keep it securely in place.
3. Open the dishwasher door and screw the wood panel into position with the four long screws, two on either side. (Figure 6)



ADJUSTING THE DOOR SPRINGS

After you install the custom panel, make sure the door stays in place at any angle. If it tends to fall down, pull out the machine and tension the door springs on the sides of the machine by moving them one hole farther back or by twisting the spring to make it shorter. If that doesn't resolve the problem, you may need to purchase the heavy-duty door springs (part number 8076163-77).

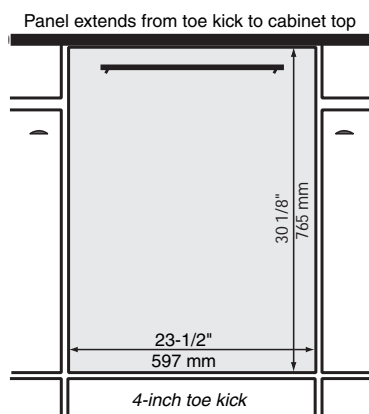


D3252XLFI, D3532XLFI, AND D3532XLFIWS CUSTOM PANEL INSTALLATION OPTIONS

4-inch Toe Kick Installations

Custom panel extends to cabinet top

One installation option for a 4" toe kick is to extend the custom panel to the cabinet top (as illustrated below).



6-inch Toe Kick Installations

XL units are not designed to accommodate a 6 inch toe kick installation. If you need a 6 inch toe kick installation, you should install an Asko standard tank dishwasher model D3122 or D3252FI.

One-Piece Custom Door Panel

A one-piece custom door panel with a curved handle is now available for the FI dishwashers. This door is available in stainless steel (as shown), black, and white. To order this door panel, contact your dealer.

These doors are designed for 4" toe kick installations.



INDEX

A			
Access holes	3		
C			
Cabinet, fastening unit to	9		
Cabinet opening dimensions	3		
Connecting to water supply	9		
Corner installation	4		
Cosmetic damage	2		
D			
Dimensions, unit	3		
Door panels, fully-integrated	11		
Door springs, adjusting	10		
Drain connections	4		
E			
Electrical cable connection	8		
Electrical connections	7		
European installations	3		
F			
Fastening unit to cabinet	9		
Fill strips	6		
Fully-integrated door panels	10		
G			
Grounding instructions	6		
H			
Heating element	2		
High loop	5		
Hot water supply	4		
L			
Leaks, testing for	8		
Leveling legs, adjusting	9		
M			
Materials	2		
Moving unit into place	7		
P			
Panels, fully-integrated	11		
Placing the unit	7		
Power	2		
S			
Slides for rear legs		6	
T			
Technical data		2	
Tip guards		2	
installing	4		
Toe kick			
installation options on FI units		11	
installing		9	
Tools		2	
U			
Unit dimensions		3	
W			
Water connection		9	
Water flow volume		4	
Water pressure		2	

Free Manuals Download Website

<http://myh66.com>

<http://usermanuals.us>

<http://www.somanuals.com>

<http://www.4manuals.cc>

<http://www.manual-lib.com>

<http://www.404manual.com>

<http://www.luxmanual.com>

<http://aubethermostatmanual.com>

Golf course search by state

<http://golfingnear.com>

Email search by domain

<http://emailbydomain.com>

Auto manuals search

<http://auto.somanuals.com>

TV manuals search

<http://tv.somanuals.com>