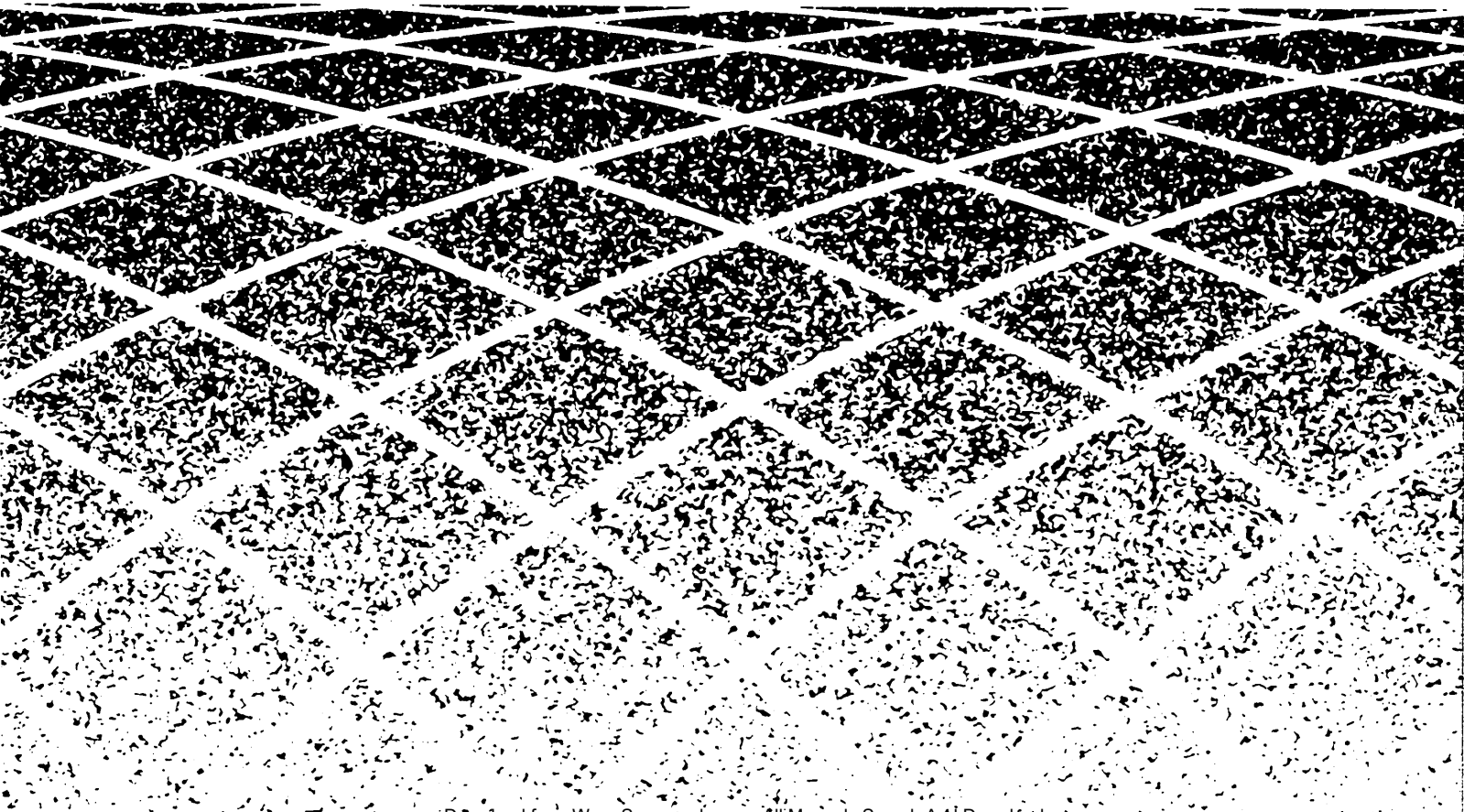




SPIRIT[®]
Communications System
SPIRIT Attendant Connect/R
Owner's Manual



IMPORTANT SAFETY INSTRUCTIONS

To reduce risk of injury from fire or electric shock, always follow basic safety precautions when using this product.



The safety symbol (exclamation point inside a triangle) on the Attendant Connect/R alerts you to the Important operating and maintenance instructions below.

1. Read and understand all instructions in this *Owner's Manual*.
2. Observe all warnings and instructions marked on the product.
3. Unplug this product from wall outlets and telephone jacks before cleaning. Clean exposed parts with a soft, damp cloth. Do not use **liquid** or aerosol cleaners, and never immerse in water.
4. Do not use the product near **water** or when you are wet. For example, do not use it in a wet basement or near a swimming pool, bathtub, shower, sink, or laundry tub. If the product comes in contact with any liquids, unplug the power and line cords immediately. Do not plug the product back in until it has been dried thoroughly.
5. Install this product securely on a stable surface. Damage may result if the product falls.
6. Install this product in a protected location where no one can step on or trip over power and line cords. Do not place objects on the cords that may cause damage or abrasion.
7. Do not allow anything to rest on the power cord. Do not locate this **product** where the cord will be abused by **persons** walking on it. Do not overload **wall outlets**, as this can result in the risk of fire or electric shock.
8. Never push objects of any kind into this product through housing openings because they may touch dangerous voltage points or short out parts, resulting in possible fire or electric shock.
9. If this product does not operate normally, see the Troubleshooting section of this

manual. If you cannot resolve the problem, or if the product is damaged, Call the AT&T Helpline at 1-800-628-2888. Do not open the product. Opening the product may expose you to dangerous voltages or other risks.

10. During thunderstorms, avoid using telephones except cordless models. There may be a slight chance of electric shock from lightning.
11. Do not use a telephone in the vicinity of a gas leak. If you suspect a gas leak, report it immediately, but use a telephone away from the area where gas is leaking.
12. This product should be operated only from the type of power source indicated on the power transformer (see Item 13, below). If you are not sure of the type of power supply

to your business or home, consult your local power company.

13. Use only a UL Listed wall plug-in power transformer that has Class 2 outputs and the following characteristics:

Input rating: 99-127 V AC rms 60 Hz
150 mA maximum

Output rating: 27-35 V DC at 200 mA
14-18 V DC at 200 mA

The power transformer supplied with the product has these characteristics.

SAVE THESE INSTRUCTIONS

Table of Contents

| | |
|---|----|
| Introduction | 1 |
| Installation | 3 |
| Step 1—Mount the SPIRIT® Attendant Connect/R | 4 |
| Step 2—Connect the SPIRIT Attendant Connect/R | 5 |
| Step 3—Test the Equipment | 7 |
| Troubleshooting | 8 |
| Appendix A—Wiring Requirements | 9 |
| Appendix B—Warranty | 10 |

While reasonable efforts were made to ensure that the information in this document was complete and accurate at the time of printing, AT&T assumes no responsibility for any errors. Changes or corrections to the information contained in this document maybe incorporated into future re-issues.

Document No. 518-453-712
Copyright © 1991 AT&T
All Rights Reserved
Printed in USA.

Comcode 106455868
Issue 1
January 1991

Introduction

The following descriptions define important terms used in this manual.

- The **SPiRiT**® Communications System Attendant Connect/R provides you with the ability to add a **SPiRiT** Attendant to your **SPiRiT** System. It connects to the controller.
- The controller is the central processor through which all **SPiRiT** calls in your company are processed.

- The **SPiRiT** Attendant is a device which provides automated call-handling capabilities for the **SPiRiT** Communications System.

This *Owner's Manual* will help you set up your **SPiRiT** Attendant Connect/ R for your particular business needs.

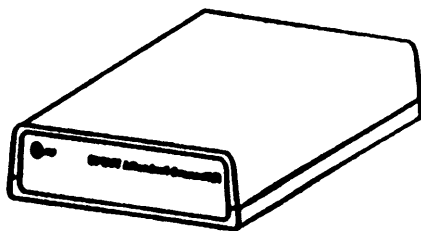


Figure 1. **SPiRiT** Attendant Connect/R

- **SPiRiT** is a registered trademark of AT&T.

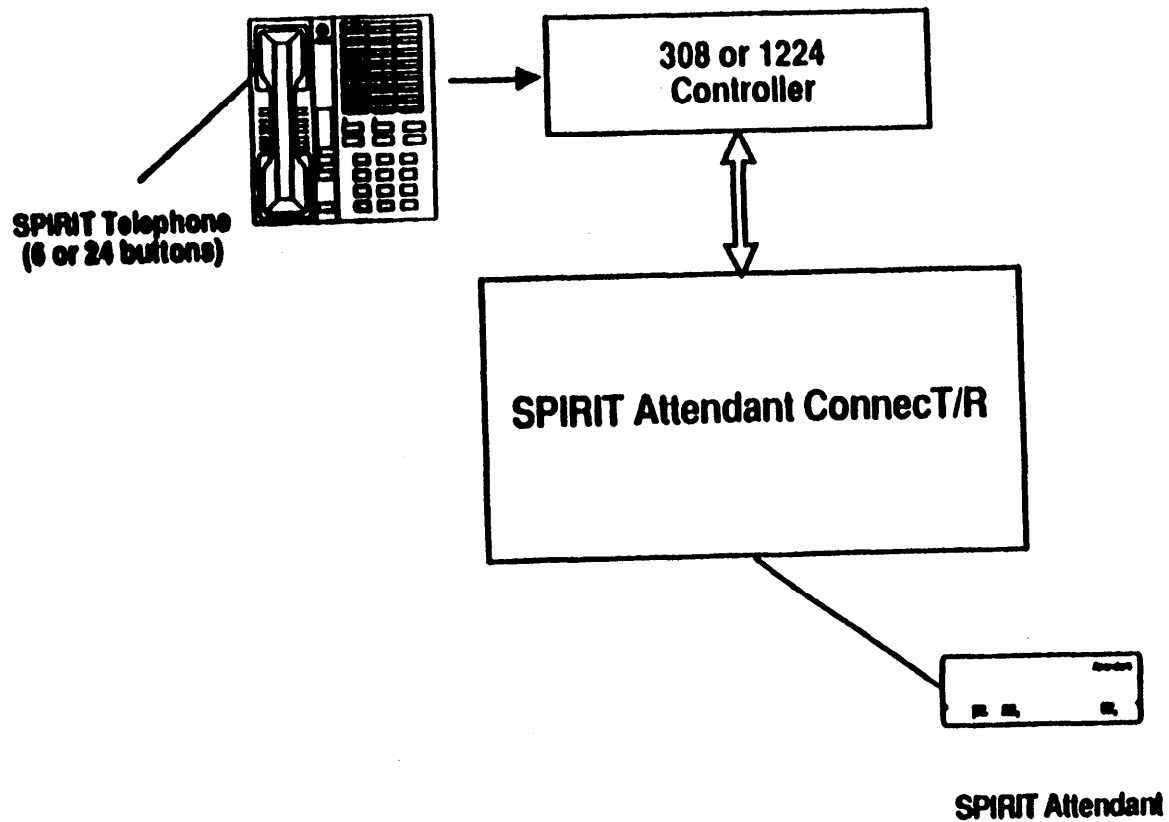


Figure 2. **SPIRIT** Attendant Connect/R Applications

Installation

INSTALLATION INSTRUCTIONS

1. Never install telephone wiring during a lightning storm.
2. Never install telephone jacks in wet locations unless the jack is specifically designed for wet locations.
3. Never touch uninsulated telephone wires or terminals unless the telephone line has been disconnected at the network interface.
4. Use caution when installing or modifying telephone lines.

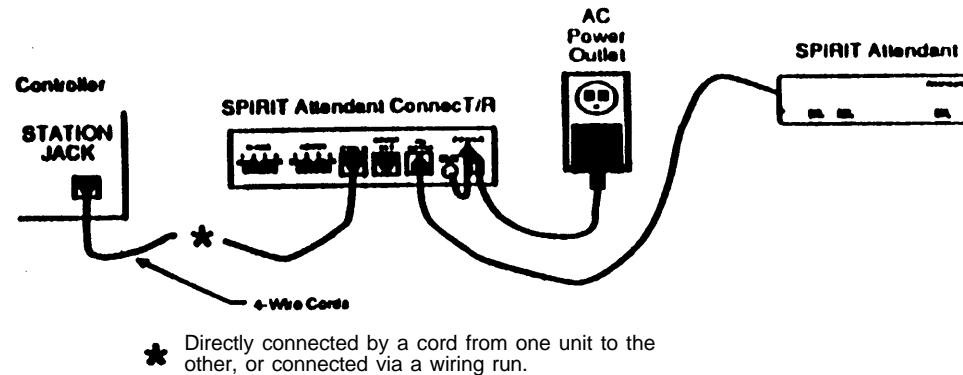


Figure 3. **SPIRIT** Attendant Connect/R with Attached **SPIRIT** Attendant

*NOTE: The switches on the **SPIRIT** Attendant Connect/R are not used. They have been removed to prevent accidental incorrect installations.*

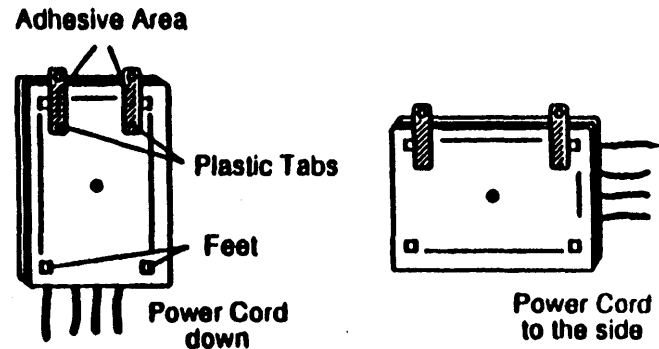
Step 1 — Mount the **SPiRiT** Attendant Connect/R (optional).

The **SPiRiT** Attendant Connect/R is designed to be placed on your desk or mounted on any vertical surface. *Do not place it on the floor.*

Hardware has been included to mount the **SPiRiT** Attendant Connect/R on the wall: two plastic wall-mount tabs, two anchors, and two #6 screws.

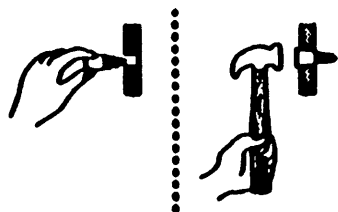
1. Select an appropriate location. The **SPiRiT** Attendant Connect/R can be no more than six feet from its power supply (an AC outlet that isn't controlled by a wall switch) and no more than six feet from the devices attached to it. The bottom of the **SPiRiT** Attendant Connect/R should be at least two feet from the floor.
2. Position the **SPiRiT** Attendant Connect/R so the side with the jacks and settings is down or to the side, but not up.
3. Remove the backing from the plastic tabs.
4. Gently position a tab by aligning the end of the adhesive with the outside edge of the **SPiRiT** Attendant Connect/R and the side

of the tab against the inside of one of the feet. Repeat for the second tab.



5. Press the tabs firmly into position.
6. With the tabs at the top, hold the **SPiRiT** Attendant Connect/R against the wall where you plan to mount it and use a pencil to mark the location of the holes in the tabs. The bottom of the **SPiRiT** Attendant Connect/R should be at least two feet from the floor.
7. If you have plywood walls or walls with a sturdy supporting structure (either wood

studs or cross members), partially screw the two screws into the wall at the marks, remove them, hang the tabs on the screws, and then tighten the screws.



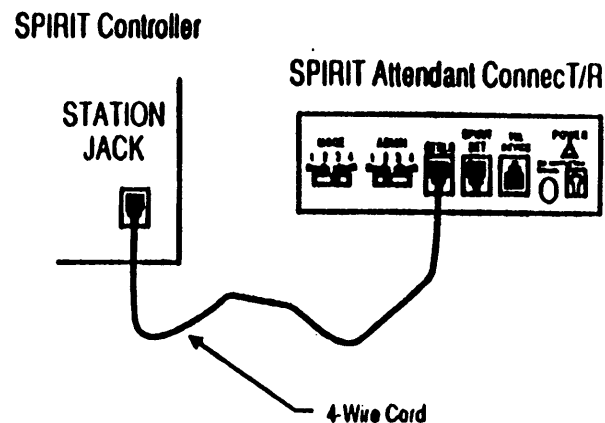
For plaster, plasterboard, cinder block, or brick surfaces, drill a 3/16" hole at each mark and insert an anchor into each of the holes. Gently tap each anchor with a hammer until it is flush with the surface. Screw the screws partially into the anchors, remove them, hang the tabs on the screws, and then tighten the screws.

Step 2 — Connect the **SPIRIT** Attendant ConnecT/R to the controller and the **SPIRIT**

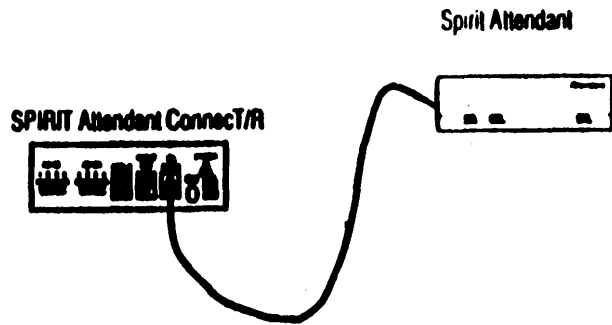
Attendant to the **SPIRIT** Attendant ConnecT/R.

Please check the cabling requirements in Appendix A before proceeding. Consult with the person who customized your **SPIRIT** System before attaching the **SPIRIT** Attendant ConnecT/R to the controller.

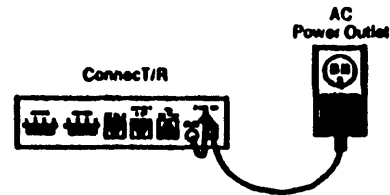
NOTE: The "4-wire cord" mentioned in the steps below comes with the **SPIRIT** Attendant ConnecT/R. Any cord you may have that is connecting a **SPIRIT** Telephone to the controller is also 4-wire cord .



1. Connect the **SPiRiT** Attendant Connect/R to the Controller. Using 4-wire cord, plug one end into the CTRLR jack on the back of the **SPiRiT** Attendant Connect/R and connect the other end into the STATION jack on the controller.
2. Connect the **SPiRiT** Attendant to the **SPiRiT** Attendant Connect/R. Using the line cord provided with the **SPiRiT** Attendant, plug one end into the LINE jack (or its equivalent) on the back of the **SPiRiT** Attendant and connect the other end to the TEL DEVICE jack on the **SPiRiT** Attendant Connect/R.



3. Do not connect a **SPiRiT** Telephone to the **SPiRiT** Attendant Connect/R.
4. Connect the **SPiRiT** Attendant Connect/R to the AC power outlet. Plug the power connector into the POWER jack on the back of



of the **SPiRiT** Attendant Connect/R. To prevent the power cord from pulling out easily, make a small loop of cord near the power connector and slip it behind the strain relief tab next to the POWER jack on the **SPiRiT** Attendant Connect/R. Plug the wall transformer into an AC power outlet that is at least 3 feet away from the controller and not controlled by a wall switch. (If it is any closer to the controller, you may hear a hum on your **SPiRiT** System.)

NOTE: Use only a UL Listed wall plug-in power transformer that has Class 2 outputs and the following characteristics:

Input rating: 99-127 V AC rms 60 llz
150 mA maximum

Output rating: 27-35 V DC at 200 mA
14-18 V DC at 200 mA

The power transformer supplied with the ConntecT/R has these characteristics.

NOTE: If the caller requests the **SPIRIT** Attendant to transfer a call to an extension number that is between the valid programmed lowest and highest extension but there is no station set plugged into that station port, the caller will be placed on hold and the **SPIRIT** Attendant will not be able to retrieve the call. To help prevent this from occurring, careful attention should be given to setting the lowest/highest extension numbers and try to avoid skipping over extension numbers while assigning them.

Step 3 — Test the equipment.

After the **SPIRIT** Attendant Connect/R is installed, test the **SPIRIT** Attendant by placing a call to be answered by the **SPIRIT** Attendant.

If you have any problems, see the Troubleshooting section of this manual for more information.

Troubleshooting

This section should help you determine the cause of problems you might encounter and help you resolve them.

device operates. Call the AT&T Helpline at 1-800-628-2888 if you need assistance.

Remember that the way your **SPiRiT** System was customized may influence how a particular

| Operational Difficulty | What to Check |
|---|---|
| Ringing SPiRiT Attendant doesn't respond to outside calls | <i>Night Service customization*</i> <i>Do Not Disturb</i> active <i>Delayed Ringing</i> active* <i>Abbreviated Ringing</i> active* <i>No Ringing</i> active* <i>No Access</i> active* Status of lines assigned to SPiRiT Attendant station port (i.e., are all the lines on hold?) |
| SPiRiT Attendant doesn't respond to intercom calls | <i>Call Forward</i> active |
| SPiRiT Attendant ConnecT/R is very warm to the touch | This is normal, especially if the SPiRiT Attendant ConnecT/R as been covered by papers or other materials, or if the room temperature is warmer than average. |

- Check with the person in your organization responsible for the **SPiRiT** System.

Appendix A — Wiring Requirements

Note the following cabling requirements before connecting the equipment. If these limits (which are the same ones that apply to our current **SPiRiT** System) are exceeded, the **SPiRiT** Attendant Connect/R may not work properly.

- The total wire length from the controller to the **SPiRiT** Attendant cannot exceed a total of 1000 feet of 24-gauge DIW (twisted-pair copper) wire or 22-gauge D station wire, plus 25 feet of 4-wire line cord.
- If the **SPiRiT** Attendant Connect/R is installed outside the building where the controller is located, using exposed wiring In-Range/Out-of-Building protectors (IROB TII Model 371 or ITW Model SP69073, AT&T order number 31304) must be installed by a qualified technician. Contact your AT&T representative for additional information.
- If the **SPiRiT** Attendant will be in a building other than where the **SPiRiT** Attendant Connect/R is located, a Block Protector must be installed by a qualified technician. Order an AT&T Model 4CIS (comcode

104386545). In addition, you will need a Building Entrance Protector, which can house up to six 4CIS Block Protectors. Order Model 110ANA1-06 (comcode 105736482). Contact your AT&T representative for additional information.

Appendix B — Limited Product Warranty and Limitation of Liability

AT&T warrants that the product will be free from defects in material and workmanship for one year from the date of purchase. If the product becomes defective and such defect reported to AT&T within the one-year warranty period, AT&T will repair or replace the product, at its option, without charge. Any repair or replacement parts or products may be new, remanufactured or refurbished at the option of AT&T. If AT&T determines that the product cannot be repaired or replaced, AT&T will refund the purchase price of the product. All work under the warranty will be performed by AT&T or its agents during AT&T's normal business hours within a reasonable time after notice to AT&T of a defect.

The limited warranty provided above does not cover damages, defects, malfunctions or product failures caused by:

- Failure to follow AT&T's installation, operation or maintenance instructions.
- Unauthorized modification or alteration of the product.
- Product abuse, misuse or the negligent acts of persons not under the reasonable control of AT&T.

EXCEPT AS SPECIFICALLY SET FORTH ABOVE, AT&T, ITS AFFILIATES, SUPPLIERS AND DEALERS MAKE NO WARRANTIES, EXPRESS OR IMPLIED, AND SPECIFICALLY DISCLAIM ANY WARRANTY OF MERCHANTABILITY OR FITNESS FOR A PARTICULAR PURPOSE.

Except for damages for personal injury, the liability of AT&T, its affiliates, suppliers and dealers for any loss or damage resulting from any product defect or performance under this warranty and regardless of the form of action shall be limited to repair or replacement of the product or a refund of the product's purchase price. In no event shall AT&T, its affiliates, suppliers and dealers be liable for indirect, reliance, incidental or consequential damage or loss (including loss of profits) caused or alleged to have been caused by the product.

Index

AT&T Helpline 8

Controller 1

CTRLR jack 6

Installation 3

 Connect the Connect/R 5

 Connect the SPIRIT Attendant 6

 Mount the Connect/R 4

 Test the equipment 7

POWER jack 6

Power Transformer 6

Safety Instructions 3

SPIRIT Attendant 1

STATION jack 5

TEL DEVICE jack 6

Troubleshooting 8

FCC Warning Statement

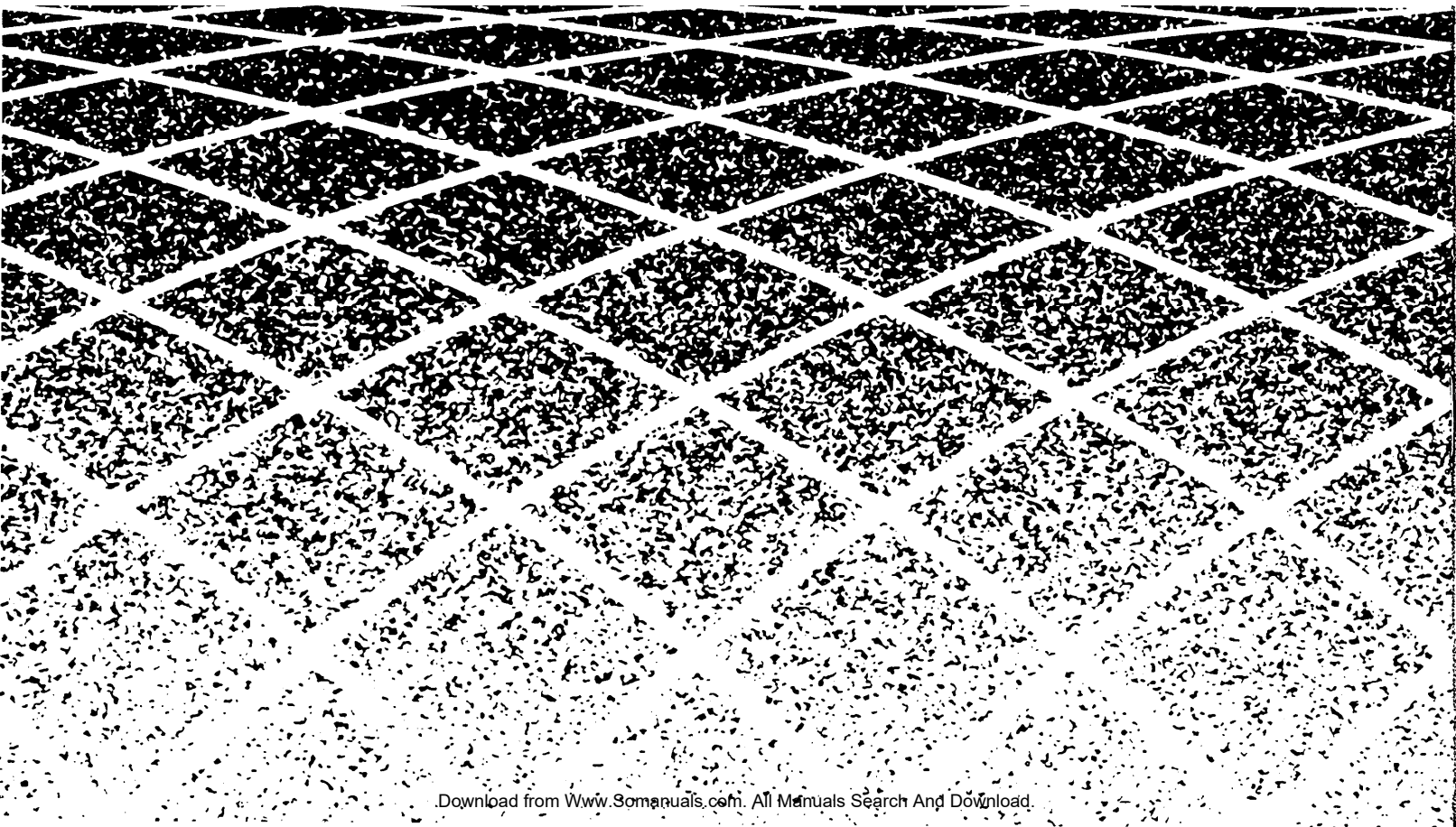
This equipment has been tested and found to comply with the limits for a Class A digital device, pursuant to Part 15 of the FCC Rules. These limits are designed to provide reasonable protection against harmful Interference when the equipment is operated in a commercial environment. This equipment generates, uses, and can radiate radio frequency energy and, if not installed and used in accordance with this Owner's Manual, may cause harmful interference to radio communications. Operation of this equipment in a residential area is likely to cause harmful interference in which the user will be required to correct the interference at his or her own expense.

CAUTION: Changes or modifications not expressly approved by the party responsible for compliance could void the user's authority to operate the equipment.

Comcode 106455868
Issue 1, January 1991

Graphics © AT&T 1990

518-453-712



Free Manuals Download Website

<http://myh66.com>

<http://usermanuals.us>

<http://www.somanuals.com>

<http://www.4manuals.cc>

<http://www.manual-lib.com>

<http://www.404manual.com>

<http://www.luxmanual.com>

<http://aubethermostatmanual.com>

Golf course search by state

<http://golfingnear.com>

Email search by domain

<http://emailbydomain.com>

Auto manuals search

<http://auto.somanuals.com>

TV manuals search

<http://tv.somanuals.com>