

MASTER VIEW MAX SLIDEAWAY™ CONSOLE



USER MANUAL

CL-1200

FCC Information

This is an FCC Class A product. In a domestic environment this product may cause radio interference in which case the user may be required to take adequate measures.

This equipment has been tested and found to comply with the limits for a Class A digital device, pursuant to Part 15 of the FCC Rules. These limits are designed to provide reasonable protection against harmful interference when the equipment is operated in a commercial environment. This equipment generates, uses and can radiate radio frequency energy and, if not installed and used in accordance with the instruction manual, may cause harmful interference to radio communications. Operation of this equipment in a residential area is likely to cause harmful interference in which case the user will be required to correct the interference at his own expense.

RoHS

This product is RoHS compliant.



User Notice

All information, documentation, and specifications contained in this manual are subject to change without prior notification by the manufacturer. The manufacturer makes no representations or warranties, either expressed or implied, with respect to the contents hereof and specifically disclaims any warranties as to merchantability or fitness for any particular purpose. Any of the manufacturer's software described in this manual is sold or licensed `as is'. Should the programs prove defective following their purchase, the buyer (and not the manufacturer, its distributor, or its dealer), assumes the entire cost of all necessary servicing, repair and any incidental or consequential damages resulting from any defect in the software.

The manufacturer of this system is not responsible for any radio and/or TV interference caused by unauthorized modifications to this device. It is the responsibility of the user to correct such interference.

The manufacturer is not responsible for any damage incurred in the operation of this system if the correct operational voltage setting was not selected prior to operation. **PLEASE VERIFY THAT THE VOLTAGE SETTING IS CORRECT BEFORE USE.**

Safety Instructions

General

- ◆ Read all of these instructions. Save them for future reference.
- ◆ Follow all warnings and instructions marked on the device.
- ◆ Do not place the device on any unstable surface (cart, stand, table, etc.). If the device falls, serious damage will result.
- ◆ Do not use the device near water.
- ◆ Do not place the device near, or over, radiators or heat registers.
- ◆ The device cabinet is provided with slots and openings to allow for adequate ventilation. To ensure reliable operation, and to protect against overheating, these openings must never be blocked or covered.
- ◆ The device should never be placed on a soft surface (bed, sofa, rug, etc.) as this will block its ventilation openings. Likewise, the device should not be placed in a built in enclosure unless adequate ventilation has been provided.
- ◆ Never spill liquid of any kind on the device.
- ◆ Unplug the device from the wall outlet before cleaning. Do not use liquid or aerosol cleaners. Use a damp cloth for cleaning.
- ◆ The device should be operated from the type of power source indicated on the marking label. If you are not sure of the type of power available, consult your dealer or local power company.
- ◆ The device is equipped with a 3-wire grounding type plug. This is a safety feature. If you are unable to insert the plug into the outlet, contact your electrician to replace your obsolete outlet. Do not attempt to defeat the purpose of the grounding-type plug. Always follow your local/national wiring codes.
- ◆ Do not allow anything to rest on the power cord or cables. Route the power cord and cables so that they cannot be stepped on or tripped over.
- ◆ If an extension cord is used with this device make sure that the total of the ampere ratings of all products used on this cord does not exceed the extension cord ampere rating. Make sure that the total of all products plugged into the wall outlet does not exceed 15 amperes.
- ◆ To help protect your system from sudden, transient increases and decreases in electrical power, use a surge suppressor, line conditioner, or un-interruptible power supply (UPS).

- ◆ Position system cables and power cables carefully; Be sure that nothing rests on any cables.
- ◆ When connecting or disconnecting power to hot-pluggable power supplies, observe the following guidelines:
 - ◆ Install the power supply before connecting the power cable to the power supply.
 - ◆ Unplug the power cable before removing the power supply.
 - ◆ If the system has multiple sources of power, disconnect power from the system by unplugging all power cables from the power supplies.
- ◆ Never push objects of any kind into or through cabinet slots. They may touch dangerous voltage points or short out parts resulting in a risk of fire or electrical shock.
- ◆ Do not attempt to service the device yourself. Refer all servicing to qualified service personnel.
- ◆ If the following conditions occur, unplug the device from the wall outlet and bring it to qualified service personnel for repair.
 - ◆ The power cord or plug has become damaged or frayed.
 - ◆ Liquid has been spilled into the device.
 - ◆ The device has been exposed to rain or water.
 - ◆ The device has been dropped, or the cabinet has been damaged.
 - ◆ The device exhibits a distinct change in performance, indicating a need for service.
 - ◆ The device does not operate normally when the operating instructions are followed.
- ◆ Only adjust those controls that are covered in the operating instructions. Improper adjustment of other controls may result in damage that will require extensive work by a qualified technician to repair.

Rack Mounting

- ◆ Before working on the rack, make sure that the stabilizers are secured to the rack, extended to the floor, and that the full weight of the rack rests on the floor. Install front and side stabilizers on a single rack or front stabilizers for joined multiple racks before working on the rack.
- ◆ Always load the rack from the bottom up, and load the heaviest item in the rack first.
- ◆ Make sure that the rack is level and stable before extending a device from the rack.
- ◆ Use caution when pressing the device rail release latches and sliding a device into or out of a rack; the slide rails can pinch your fingers.
- ◆ After a device is inserted into the rack, carefully extend the rail into a locking position, and then slide the device into the rack.
- ◆ Do not overload the AC supply branch circuit that provides power to the rack. The total rack load should not exceed 80 percent of the branch circuit rating.
- ◆ Ensure that proper airflow is provided to devices in the rack.
- ◆ Do not step on or stand on any device when servicing other devices in a rack.

Package Contents

Basic Package

The basic CL-1200 package consists of:

- ◆ 1 CL-1200 KVM Console with Standard Rack Mounting Kit
- ◆ 1 Custom KVM Cable Sets
- ◆ 1 Power Cord
- ◆ 1 User Manual*
- ◆ 1 Quick Start Guide

Optional Equipment

Depending on any optional equipment that you may have purchased, one of the following may be included in your package:

- ◆ Standard Rack Mounting Kit - Long
- ◆ Easy-Installation Rack Mounting Kit - Short
- ◆ Easy-Installation Rack Mounting Kit - Long

Check to make sure that all the components are present and that nothing got damaged in shipping. If you encounter a problem, contact your dealer.

Read this manual thoroughly and follow the installation and operation procedures carefully to prevent any damage to the unit, and/or any of the devices connected to it.

* Features may have been added to this product since the manual was written. Visit our website to download the latest version of this manual.

© Copyright 2005-2006 ATEN® International Co., Ltd.
Manual Part No. PAPE-0251-200G
Printing Date: 02/2006

ATEN and the ATEN logo are registered trademarks of ATEN International Co., Ltd. All rights reserved. All other brand names and trademarks are the registered property of their respective owners.

This Page Intentionally Left Blank

Contents

FCC Information	ii
RoHS	ii
User Notice	iii
Safety Instructions	iv
General	iv
Rack Mounting	vi
Package Contents	vii
Basic Package	vii
Optional Equipment	vii
About this Manual	xi
Conventions	xii
Getting Help	xii

1. Introduction

Overview	1
Features	2
Hardware Requirements	3
Computers	3
Cables	3
Components	4
Front View	4
Rear View	5

2. Installation

Before you Begin	7
Standard Rack Mounting	7
Connecting Up	9

3. Operation

Opening the Console	11
Closing the Console	12
Operating Precautions	13
LCD OSD Configuration	14
The LCD Buttons	14
The Adjustment Settings	15
Console Selection	16
Port ID Numbering & Port Selection	16

Appendix

Optional Rack Mounting	17
Specifications	21
Troubleshooting	22
Limited Warranty	22

About this Manual

This User Manual is provided to help you get the most from your c/c system. It covers all aspects of installation, configuration and operation. An overview of the information found in the manual is provided below.

Chapter 1, Introduction, introduces you to the CL-1200 system. Its purpose, features and benefits are presented, and its front and back panel components are described.


Chapter 2, Installation, describes how to set up your installation. The necessary step – from a basic single stage hookup to a complete 32 switch daisy chained operation are provided.

Chapter 3, Operation, explains the fundamental concepts involved in operating the CL-1200.

An Appendix, provides specifications and other technical information regarding the CL-1200.

Conventions

This manual uses the following conventions:

- Monospaced Indicates text that you should key in.
- [] Indicates keys you should press. For example, [Enter] means to press the **Enter** key. If keys need to be chorded, they appear together in the same bracket with a plus sign between them: [Ctrl+Alt].
- 1. Numbered lists represent procedures with sequential steps.
- ◆ Bullet lists provide information, but do not involve sequential steps.
- Indicates selecting the option (on a menu or dialog box, for example), that comes next. For example, Start → Run means to open the *Start* menu, and then select *Run*.
-  Indicates critical information.

Getting Help

If you need to contact ATEN technical support with a problem, visit our website at www.aten.com.

Chapter 1. Introduction

Overview

The CL-1200 is a KVM console module featuring an integrated 15" or 17" LCD panel, full keyboard, and touchpad in a 1U, rack-mountable, Slideaway™ housing. It was developed in response to the enormous popularity of the Slideaway™ console found on the CL-1208 and CL-1216 KVM switches. The CL-1208 / CL-1216 models are made up of two major modules: the front-end Slideaway™ KVM Console module, and the back-end KVM Switch module.

The CL-1200 is similar to the front-end Console module found on the CL-1208 / CL-1216. Its purpose is to serve as the front end Slideaway™ console for standard Master View KVM switches.

By only having to purchase the CL-1200, users who already have a Master View switch can take advantage of the space saving and efficiency benefits of the CL-1208 / CL-1216's Slideaway™ console without the unnecessary expense of having to purchase its KVM Switch module.

Setup is fast and easy. Simply use the supplied KVM cable set to link the CL-1200's KVM ports to the console ports of your KVM switch and you are ready to go.*

For convenience, ports to link an external keyboard, video, mouse console are also provided.

* The CL-1200 supports most Master View KVM switches that have PS/2 console port connectors. If you are unsure if your switch is supported, check with your dealer or call Aten Customer Service.

Features

- ◆ Integrated KVM console with 15" or 17" LCD monitor - in a *Slideaway*[™] housing
- ◆ *Slideaway*[™] housing is less than 1U - with top and bottom clearance for smooth operation in a 1U high system rack
- ◆ Supports an external console
- ◆ No software required - convenient computer selection via *Hotkeys*
- ◆ High video resolution:
 - ◆ Up to 1024 x 768 @75Hz (15" LCD)
 - ◆ Up to 1280 x 1024 @75Hz (17" LCD)
 - ◆ Supports DDC, DDC2, DDC2B
- ◆ OS Support:
 - ◆ Windows: 95 and higher
 - ◆ Linux: Redhat 6.0 and higher / Mandrake 9.0 and higher / SUSE 8.2 and higher
 - ◆ FreeBSD: 3.51 and higher;
 - ◆ Netware: 5.0 and higher
 - ◆ OS/2: 2.0 and higher
 - ◆ AIX: 4.3;
 - ◆ DOS: 6.2 and higher
- ◆ Language support: American English; UK English; German; French; Spanish; Traditional Chinese; Japanese; Korean

Hardware Requirements

Computers

- ♦ The CL-1200 supports most Master View KVM switches that have PS/2 console port connectors. If you are unsure whether your switch is supported or not, check with your dealer or call Aten Customer Service.
- ♦ The integrated LCD monitor's maximum resolution is 1024 x 768 @75Hz (15"), or 1280 x 1024 @75Hz (17"). Make sure that none of the computer's resolution settings exceed the LCD monitor's maximum resolution.

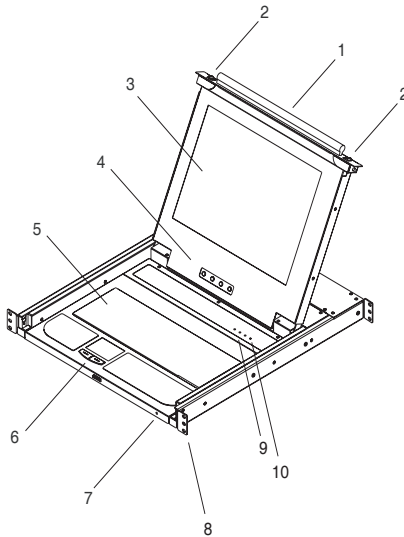
Cables

For optimum signal integrity and to simplify the layout, we strongly recommend that you use the high quality Custom Cable set provided with this package. Different length cable sets, described in the table below, can be purchased from your dealer.

Length (m)	Part Number
1.2	2L-5201P
1.8	2L-5202P
3.0	2L-5203P
6.0	2L-5206P

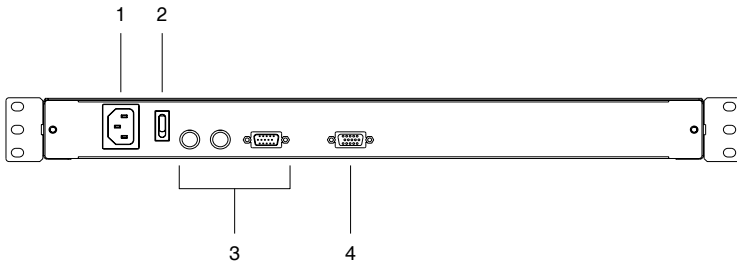
Components

Front View



No.	Component	Description
1	Handle	Pull to slide the KVM module out; push to slide the module in.
2	Slide Release	In order to slide the console out, you must first release it by moving this tab sideways. See p. 11 for details on sliding the console in and out.
3	LCD Display	After sliding the KVM module out, flip up the cover to access the LCD monitor.
4	LCD Controls	The LCD On/Off switch is located here, as well as buttons to control the position and picture settings of the LCD display. See p. 14, for details.
5	Keyboard	
6	Touchpad	
7	Power LED	Lights BLUE to indicate that the unit is receiving power.
8	Rack Mounting Tabs	The rack mounting tabs located at each corner of the unit secure the chassis to a system rack.
9	Lock LEDs	The Num Lock, Caps Lock, Scroll Lock LEDs are located here.
10	Reset Switch	Located to the right of the Lock LEDs. Press this recessed switch in with a thin object to perform a system reset.

Rear View



No.	Component	Description
1	Power Socket	This is a standard 3 prong AC power socket. The power cord from your AC source plugs in here.
2	Power Switch	This is a standard rocker switch that powers the unit On and Off.
3	External Console Section	For flexibility and convenience, the CL-1200 supports an independent, external, KVM console. The external console's keyboard, monitor, and mouse plug in here. Choice of which console the video displays on is made with hotkey combinations (see <i>Console Selection</i> , p. 16 for details).
4	KVM Port	The cable that links the CL-1200 to the KVM switch plugs in here Note: The shape of this 15-pin connector has been specifically modified so that only KVM cables designed to work with this switch can plug in (see <i>Cables</i> , p. 3, for details).

This Page Intentionally Left Blank

Chapter 2. Installation

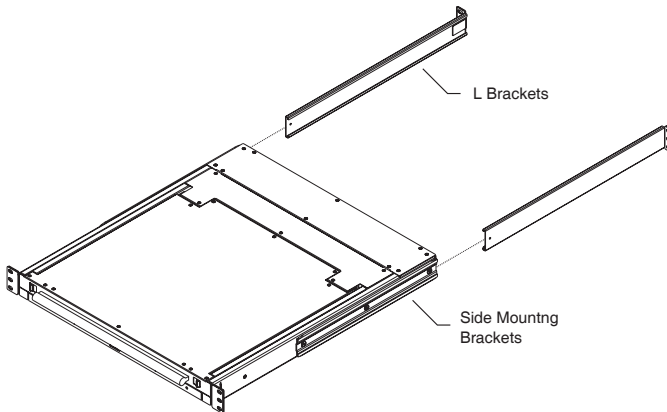
Before you Begin



1. Important safety information regarding the placement of this device is provided on page iv. Please review it before proceeding.
2. Make sure that power to all the devices you will be connecting up have been turned off. You must unplug the power cords of any computers that have the Keyboard Power On function.

Standard Rack Mounting

A standard rack mounting kit is provided with your CL-1200. The kit enables the switch to be mounted in rack with a depth of 42 - 72 cm.

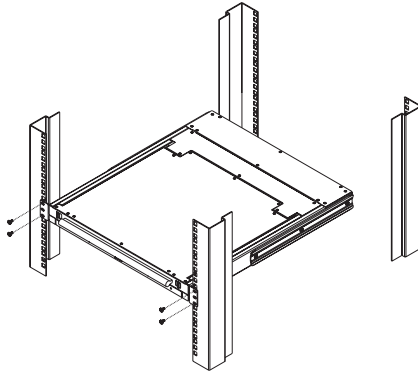


Note: It takes two people to mount the switch: one to hold it in place; the other to screw it in.

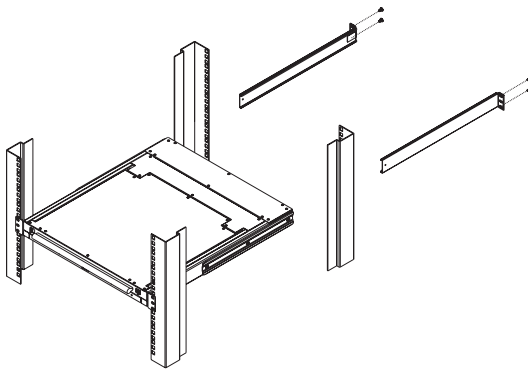
Optional mounting kits - including single person *Easy Installation* kits - are available with a separate purchase. See p. 17 in the Appendix for optional rack mounting details.

To rack mount the switch, do the following:

1. While one person positions the switch in the rack and holds it in place, the second person - using the screws provided with the rack mounting kit - loosely screws the front brackets to the rack.



2. While the first person still holds the switch in place, the second person slides the L brackets into the switch's side mounting brackets, from the rear until the bracket flanges contact the rack, then - using the screws provided with the rack mounting kit - screws the L brackets to the rack.



3. After the L brackets have been secured, tighten the front bracket screws

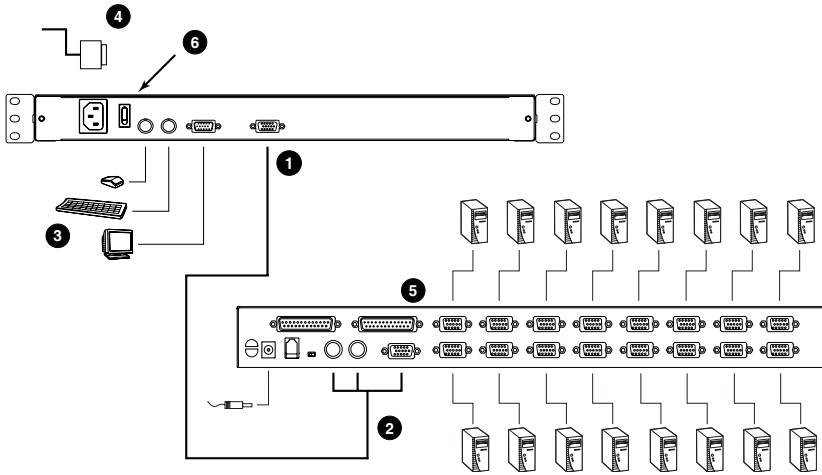
Note: 1. Cage nuts are provided for racks that are not prethreaded.

2. Allow at least 5.1 cm on each side for proper ventilation, and at least 12.7 cm at the back for the power cord and cable clearance.
-

Connecting Up

Refer to the example installation diagram on the next page as you perform the following steps:

1. Plug the 15 pin connector end of the KVM cable provided with this unit into the CL-1200's KVM port.
2. Plug the keyboard, monitor, and mouse connectors of the KVM cable into their respective ports on the Console Section of the KVM switch.
3. If you are installing an external console, plug your keyboard, monitor, and mouse into their respective ports on the Console Section of the CL-1200. The ports are color coded and marked with an icon for easy identification.
4. Plug the power cord into the CL-1200's power socket and into an AC power source.
5. Power up your KVM installation.
6. Turn on the power to CL-1200.



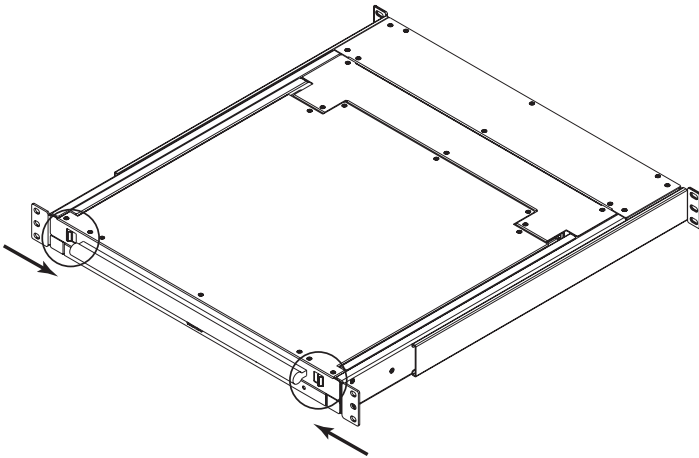
Note: The example diagram shows the CL-1200 connecting to an ACS-1216A KVM switch, but the CL-1200 can connect to most ATEN KVM switches that have PS/2 port console connectors. If you are connecting to a different model, the console port connectors may be in a different location.

Chapter 3. Operation

Opening the Console

The CL-1200's console is located under the top cover. To access the console, slide the console module out and raise the cover.

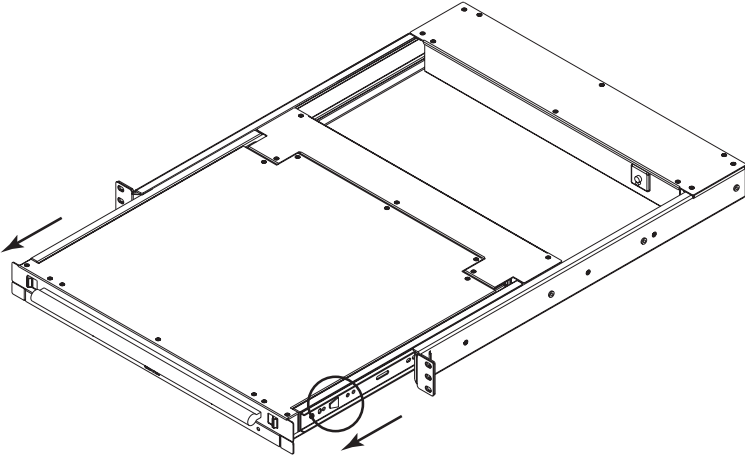
Note: As a safety precaution, to keep the console from accidentally sliding out, the console is locked into the *In* position. Before you can pull the console module out, you must release it by pushing the catches on the unit's front panel toward the center of the switch.



Closing the Console

To slide the console module back in, close the cover and do the following:

1. Pull the safety catches on the unit's side rails toward you and push the module in until it stops.
2. Release the catches; pull the module slightly toward you; then push it all the way in.

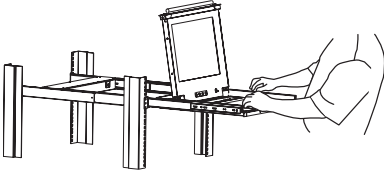
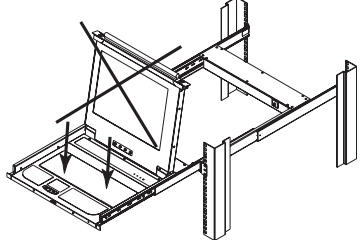


Note: The reason for the two step procedure is to minimize the chances of you pinching your fingers when sliding the module in.

Operating Precautions





The maximum load bearing capacity of the keyboard module is 30kg. Failure to heed the information below can result in damage to the keyboard module.

	<p>Right!</p> <p>Rest your hands and arms lightly on the keyboard module as you work.</p>
	<p>Wrong!</p> <ul style="list-style-type: none">◆ DO NOT lean your body weight on the keyboard module.◆ DO NOT place heavy objects on the keyboard module.

LCD OSD Configuration

The LCD Buttons

The LCD OSD allows you to set up and configure the LCD display. Four buttons are used to perform the configuration, as described in the table, below:

Button	Function
MENU	<ul style="list-style-type: none"> ◆ When you have not entered the LCD OSD Menu function, pressing this button invokes the Menu function, and brings up the Main Menu. ◆ When you have entered the LCD OSD Menu function, and have reached a setting choice with the navigation buttons, pressing this button brings up its adjustment screen.
	When navigating through the menus, this button moves you Right or Up. When making an adjustment, it increases the value.
	When navigating through the menus, this button moves you Left or Down. When making an adjustment, it decreases the value.
EXIT	<ul style="list-style-type: none"> ◆ When you have not entered the LCD OSD Menu function, pressing this button performs an auto adjustment. An auto adjustment automatically configures all the settings for the LCD panel to what the OSD considers their optimum values to be. ◆ When you have entered the LCD OSD Menu function, pressing this button exits the current menu and returns you to the previous menu. Use it to leave an adjustment menu when you are satisfied with the adjustment you made. ◆ When you are at the Main Menu, pressing this button exits the LCD OSD.

The Adjustment Settings

An explanation of the LCD OSD adjustment settings is given in the table below:

Setting	Explanation
Brightness	Adjusts the background black level of the screen image.
Contrast	Adjusts the foreground white level of the screen image.
Phase	Adjusts the vertical size of the screen image.
Clock	Adjusts the horizontal size of the screen image.
H-Position	Positions the display area on the LCD panel horizontally (moves the display area left or right).
V-Position	Positions the display area on the LCD panel vertically (moves the display area up or down).
Color Temperature	Adjusts the color quality of the display. You can adjust the warmth value, color balance, etc. The <i>Adjust Color</i> selection has a further submenu that lets you fine tune the RGB values.
Language	Selects the language that the OSD displays its menus in.
OSD Duration	Lets you set the amount of time the OSD displays on the screen. If there is no input for the amount of time you choose, the OSD display turns off.
Reset	Resets the adjustments on all menus and submenus to their factory default settings. Note: The <i>Language</i> setting does not return to the factory default, but remains at the one that you have set it to.

Console Selection

Console selection on the CL-1200 is accomplished with hotkey combinations, as described in the following table:

Combination	Action
[Ctrl] [Alt] [Shift] [L] [Enter]	Enable Local (LCD) console; Disable Remote (external) console.
[Ctrl] [Alt] [Shift] [R] [Enter]	Enable Remote (external) console' Disable Local (LCD) console.
[Ctrl] [Alt] [Shift] [L] [R] [Enter]	Enable both consoles (default).

- Note:**
1. Press the keys in sequence - one key at a time. First [Ctrl], then [Alt], then [Shift], etc.
 2. Console selections are not saved. If the switch is powered off, it reverts to the default setting of both consoles enabled when it is powered on again.
 3. If the KVM switch connected to the CL-1200 uses the [Ctrl] [Alt] [Shift] combination to invoke its hotkey mode, you won't be able to access any of its hotkey operations because the CL-1200 will capture the combination for console selection first.
-

Port ID Numbering & Port Selection

Port ID numbering and Port Selection follow the method used by the KVM switch connected to the CL-1200. Consult your KVM switch's User Manual for details.

Optional Rack Mounting

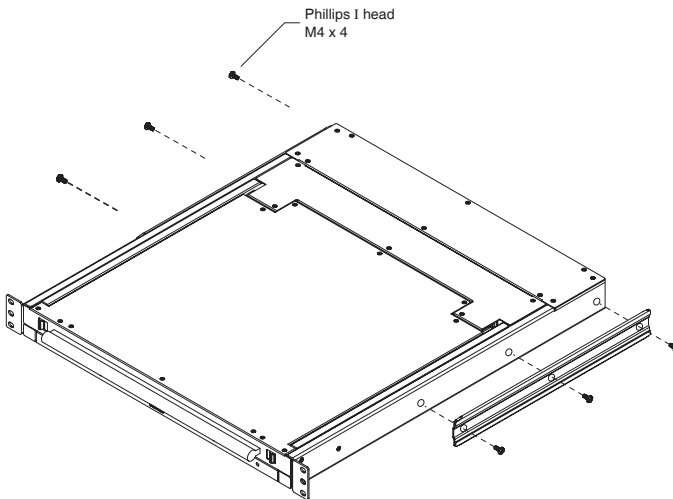
For convenience and flexibility, three optional rack mounting kits are available:

- ◆ A long bracket standard rack mounting kit for 68.0 - 100.0 cm racks;
- ◆ A short bracket *Easy-Installation* rack mount kit for 42.0 - 70.0 cm racks;
- ◆ A long bracket *Easy-Installation* rack mount kit for 68.0 - 105.0 cm racks.

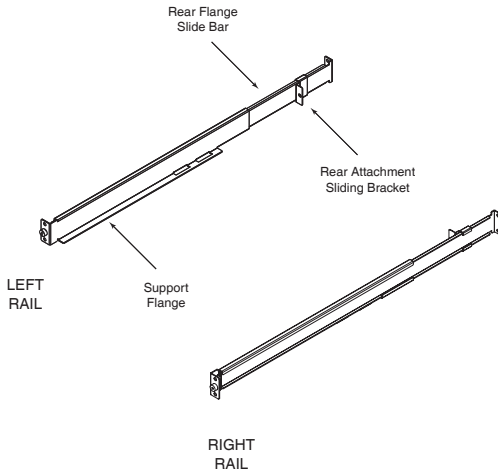
To install the long bracket standard rack mount kit, simply replace the short L brackets on the standard rack mount kit with the long ones, and mount the switch according to the instructions given on p. 7.

With an *Easy-Installation*, kit, one person can mount the switch. To install the *Easy-Installation* kit, do the following:

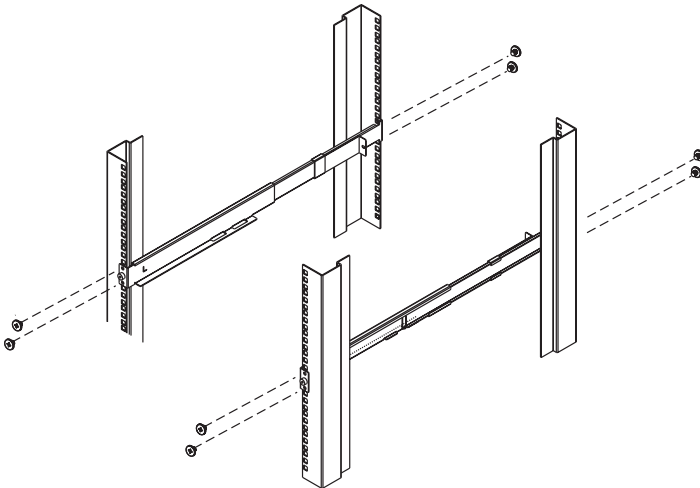
1. Remove the standard L brackets, and the side mounting brackets from both sides of the switch.



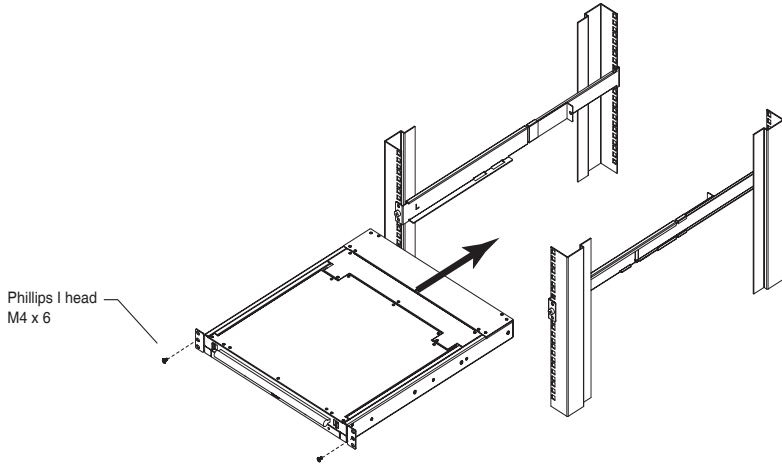
2. Attach the left and right *easy-installation* mounting rails to the inside of the rack. The flange that supports the switch will be to the inside.



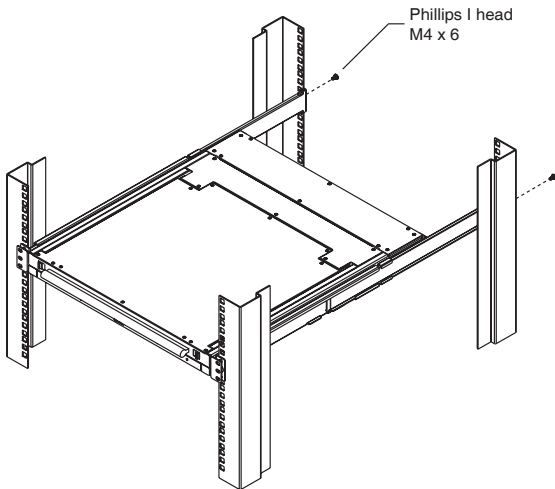
- a) Screw the front flanges to the rack first.
- b) Slide the bars with the rear flanges toward the rack until the flanges make contact with the rack, then screw the rear flanges to the rack.



- Slide the switch onto the support flanges. Use the screws supplied with this package to loosely attach the front of the switch to the front of the rack (only tighten the screws part way).



- Slide the rear attachment sliding brackets along the slide bars until they contact the rear of the switch, then use the screws supplied with this package to attach the bars to the rear of the switch (tighten the screws all the way).



5. Slide the switch open and closed a couple of times to be sure that it is properly aligned and operating smoothly. (See p. 11 for opening and closing procedures.)
6. After determining that the switch is properly lined up and operating correctly, finish up by fully tightening down the partially tightened front attachment screws inserted in step 3.

Specifications

Function		Specification
Connectors	KVM Ports	1 x SPHD-15 F
	External Console	1 x 6 pin mini-DIN F (keyboard) 1 x 6 pin mini-DIN F (mouse) 1 x HDB-15 F (monitor)
	Power	3 prong AC Socket
LEDs	Power	1 (Blue)
	Num Lock	1 (Green)
	Caps Lock	1 (Green)
	Scroll Lock	1 (Green)
Switches	Power	1 x Rocker
	LCD Module Adjust	4 x Buttons
	Reset	1 x Recessed
Video	15" LCD	1024 x 768 @ 75Hz; DDC2B
	17" LCD	1280 x 1024 @ 75Hz; DDC2B
Emulation	Keyboard	PS/2
	Mouse	PS/2
I/P Rating		100 ~ 240 VAC; 50/60 Hz; 1A
Power Consumption	15" LCD	120V 16W / 230V 19W
	17" LCD	120V 27W / 230V 35W
Environment	Operating Temp.	0 - 40° C
	Storage Temp.	-20 - 60° C
	Humidity	0 - 80% RH
Physical Properties	Housing	Metal
	Weight (kg)	15" LCD: 13.2
		17" LCD: 13.7
L x W x H (cm)	52.0 x 48.0 x 4.2 (19" - 1U)	

Troubleshooting

Problem	Solution
There are ghost images on the external monitor.	The distance between the external console and the CL-1200 is too great. The maximum cable distance should not exceed 20m and, in some cases, may need to be shorter. Replace the VGA cable with one of an appropriately short length.
When I try to perform hotkey operations on my KVM switch, nothing happens.	If the KVM switch connected to the CL-1200 uses the [Ctrl] [Alt] [Shift] combination to invoke its hotkey mode, you won't be able to access any of its hotkey operations. The reason is that the CL-1200 captures the combination for console selection first (see p. 16). You must use a KVM switch that uses a different hotkey invocation method.

Limited Warranty

IN NO EVENT SHALL THE DIRECT VENDOR'S LIABILITY EXCEED THE PRICE PAID FOR THE PRODUCT FROM THE DIRECT, INDIRECT, SPECIAL, INCIDENTAL OR CONSEQUENTIAL DAMAGES RESULTING FROM THE USE OF THE PRODUCT, DISK OR ITS DOCUMENTATION.

The direct vendor makes no warranty or representation, expressed, implied, or statutory with respect to the contents or use of this documentation, and specially disclaims its quality, performance, merchantability, or fitness for any particular purpose.

The direct vendor also reserves the right to revise or update the device or documentation without obligation to notify any individual or entity of such revisions, or update. For further inquiries please contact your direct vendor.

Free Manuals Download Website

<http://myh66.com>

<http://usermanuals.us>

<http://www.somanuals.com>

<http://www.4manuals.cc>

<http://www.manual-lib.com>

<http://www.404manual.com>

<http://www.luxmanual.com>

<http://aubethermostatmanual.com>

Golf course search by state

<http://golfingnear.com>

Email search by domain

<http://emailbydomain.com>

Auto manuals search

<http://auto.somanuals.com>

TV manuals search

<http://tv.somanuals.com>