

**DVI LCD Console
CL6700
User Manual**



www.aten.com

FCC Information

This is an FCC Class A product. In a domestic environment this product may cause radio interference in which case the user may be required to take adequate measures.

This equipment has been tested and found to comply with the limits for a Class A digital device, pursuant to Part 15 of the FCC Rules. These limits are designed to provide reasonable protection against harmful interference when the equipment is operated in a commercial environment. This equipment generates, uses and can radiate radio frequency energy and, if not installed and used in accordance with the instruction manual, may cause harmful interference to radio communications. Operation of this equipment in a residential area is likely to cause harmful interference in which case the user will be required to correct the interference at his own expense.

RoHS

This product is RoHS compliant.

SJ/T 11364-2006

The following contains information that relates to China.

部件名称	有毒有害物质或元素					
	铅	汞	镉	六价铬	多溴联苯	多溴二苯醚
电器部件	●	○	○	○	○	○
机构部件	○	○	○	○	○	○

- : 表示该有毒有害物质在该部件所有均质材料中的含量均在SJ/T 11363-2006规定的限量要求之下。
- : 表示符合欧盟的豁免条款, 但该有毒有害物质至少在该部件的某一均质材料中的含量超出SJ/T 11363-2006的限量要求。
- ×: 表示该有毒有害物质至少在该部件的某一均质材料中的含量超出SJ/T 11363-2006的限量要求。



User Information

Online Registration

Be sure to register your product at our online support center:

International	http://support.aten.com
North America	http://www.aten-usa.com/product_registration

Telephone Support

For telephone support, call this number:

International	886-2-8692-6959
China	86-10-5255-0110
Japan	81-3-5615-5811
Korea	82-2-467-6789
North America	1-888-999-ATEN ext 4988
United Kingdom	44-8-4481-58923

User Notice

All information, documentation, and specifications contained in this manual are subject to change without prior notification by the manufacturer. The manufacturer makes no representations or warranties, either expressed or implied, with respect to the contents hereof and specifically disclaims any warranties as to merchantability or fitness for any particular purpose. Any of the manufacturer's software described in this manual is sold or licensed *as is*. Should the programs prove defective following their purchase, the buyer (and not the manufacturer, its distributor, or its dealer), assumes the entire cost of all necessary servicing, repair and any incidental or consequential damages resulting from any defect in the software.

The manufacturer of this system is not responsible for any radio and/or TV interference caused by unauthorized modifications to this device. It is the responsibility of the user to correct such interference.

The manufacturer is not responsible for any damage incurred in the operation of this system if the correct operational voltage setting was not selected prior to operation. **PLEASE VERIFY THAT THE VOLTAGE SETTING IS CORRECT BEFORE USE.**

A typical LCD (Liquid Crystal Display) monitor has millions of pixels. A dead pixel refers to a pixel with a defect in its ability to display the correct color output. It most often looks like a tiny black or white spot on your screen, although it can be any other color. Since even a tiny dust particle on one of the pixels during the manufacturing process or a slight bump during shipping can create a dead pixel, the ISO 13406-2 norm defines 4 classes of acceptable screens with dead pixels--Class 1 is the best; Class 4 is the worst. Almost all manufacturers use Class 2 to establish their warranties, which allows a certain amount of dead pixels to exist before they will replace the screen. Since the manufacturers consider these screens to be acceptable under ISO specifications, we cannot be responsible for replacement or warranty of the TFT LCD panel.

Package Contents

Basic Package

The basic CL6700 package consists of:

- 1 CL6700 DVI LCD Console
with Standard Rack Mount Kit
- 1 Custom USB DVI KVM Cable Set
- 1 Power Cord
- 1 Firmware Upgrade Cable
- 1 User Instructions*

Optional Equipment

Depending on any optional equipment that you may have purchased, one of the following items may be included in your package:

- ◆ Standard Rack Mount Kit – Long
- ◆ Easy-Installation Rack Mount Kit – Short
- ◆ Easy-Installation Rack Mount Kit – Long

Check to make sure that all of the components are present and in good order. If anything is missing, or was damaged in shipping, contact your dealer.

Read this manual thoroughly and follow the installation and operation procedures carefully to prevent any damage to the console or to any other devices on the CL6700 installation.

* Changes may have been made to the manual since it was printed. Please visit our web site to download the most up-to-date version of the manual

© Copyright 2011 ATEN® International Co., Ltd.
Manual Part No. PAPE-0343-AT1G
Manual Date: 2011-07-28

ATEN and the ATEN logo are registered trademarks of ATEN International Co., Ltd. All rights reserved.
All other brand names and trademarks are the registered property of their respective owners.

Contents

FCC Information	ii
RoHS	ii
SJ/T 11364-2006	ii
User Information	iii
Online Registration	iii
Telephone Support	iii
User Notice	iv
Package Contents	v
Basic Package	v
Optional Equipment.	v
About this Manual.	viii
Overview	viii
Conventions	ix
Product Information	ix

Chapter 1.

Introduction

Overview	1
Features	2
Requirements	3
LCD Console	3
External Console.	3
Cables	3
Operating Systems	4
Components	5
Front View	5
Rear View	7

Chapter 2.

Hardware Setup

Before you Begin	9
Standard Rack Mounting	9
Connecting Up	11

Chapter 3.

Operation

Opening the Console	13
Closing the Console	14
Operating Precautions	15
LCD OSD Configuration	16
The LCD Buttons.	16
The Adjustment Settings.	16
Hot Plugging	18
Powering Off and Restarting.	18
Hotkeys.	19

Chapter 4.**Firmware Upgrade**

The Firmware Upgrade Utility	21
Before You Begin	21
Firmware Upgrade Mode	22
Performing the Upgrade	23
Starting the Upgrade:	23
Upgrade Succeeded:	25
Upgrade Failed:	26
Firmware Upgrade Recovery	27
Exiting Firmware Upgrade Mode	27

Appendix

Safety Instructions	29
General	29
Rack Mounting	31
Technical Support	32
International	32
North America	32
Specifications	33
Optional Rack Mounting	34
Mac Keyboard Emulation	38
Sun Keyboard Emulation	39
Troubleshooting	40
Limited Warranty	41

About this Manual

This User Manual is provided to help you get the most from your CL6700 system. It covers all aspects of installation, configuration and operation. An overview of the information found in the manual is provided below.

Overview

Chapter 1, Introduction, introduces you to the CL6700 KVM Console. Its purpose, features and benefits are presented, and its components are described.

Chapter 2, Hardware Setup, provides step-by-step instructions for setting up your installation, and explains some basic operation procedures.


Chapter 3, Operation, describes the fundamental concepts involved in operating the CL6700.

Chapter 4, Firmware Upgrade, explains how to upgrade the CL6700's firmware with the latest available versions.

An Appendix, provides specifications and other technical information regarding the CL6700.

Conventions

This manual uses the following conventions:

- Monospaced Indicates text that you should key in.
- [] Indicates keys you should press. For example, [Enter] means to press the **Enter** key. If keys need to be chorded, they appear together in the same bracket with a plus sign between them: [Ctrl+Alt].
- 1. Numbered lists represent procedures with sequential steps.
- ◆ Bullet lists provide information, but do not involve sequential steps.
- Indicates selecting the option (on a menu or dialog box, for example), that comes next. For example, Start → Run means to open the *Start* menu, and then select *Run*.
-  Indicates critical information.

Product Information

For information about all ATEN products and how they can help you connect without limits, visit ATEN on the Web or contact an ATEN Authorized Reseller. Visit ATEN on the Web for a list of locations and telephone numbers:

International	http://www.aten.com
North America	http://www.aten-usa.com

This Page Intentionally Left Blank

Chapter 1

Introduction

Overview

The CL6700 Single Rail DVI LCD Console is a KVM control unit featuring an integrated 19" DVI LCD panel, a full keyboard, and a touch pad in a 1U rack-mountable sliding housing with an AC based input power source and audio support.

The CL6700 serves as the front end sliding console for compatible DVI KVM switches. This means users who already have a compatible KVM switch can take advantage of the space saving and efficiency benefits of the sliding console module without having to purchase a KVM switch module.

The CL6700's single rail design allows the LCD monitor and keyboard/touch pad modules to operate independently of each other. For added convenience, a port for an external USB mouse is provided on the unit's front panel, while ports for an extra console (USB mouse, USB keyboard, DVI monitor and VGA monitor) for a second user are provided on the rear panel.

Setup is fast and easy. Simply use the included custom USB DVI KVM cable set to link the LCD Console's KVM port to the console ports of your KVM switch and you are ready to go.

Since the CL6700's firmware is upgradable, you can stay current with the latest functionality improvements simply by downloading firmware updates from ATEN's web site as they become available.

Features

- ◆ Integrated KVM console with a 19" DVI LCD monitor in a single rail housing with top and bottom clearance for smooth operation in a 1U high system rack
- ◆ Standard rack mount kit included – optional Easy Rack Mounting (single person installation) rack mount kit available (requires separate purchase)
- ◆ Supports an external console with USB / DVI / VGA connectors
- ◆ Additional hot-pluggable USB mouse port on front panel (also functions as USB peripheral port)
- ◆ Superior video quality – up to 1280 x 1024 @75Hz; DDC, DDC2, DDC2B
- ◆ Audio support (speakers)
- ◆ Standard 105-key keyboard; Sun keyboard emulation
- ◆ Multiplatform support – Windows, Linux, Mac, and Sun
- ◆ Compatible with most ATEN DVI KVM Switches
- ◆ Adjustable depth to fit within the rack
- ◆ Firmware upgradeable
- ◆ Console lock – enables the console drawer to remain securely locked away in position when not in use
- ◆ DDC emulation – video settings of attached computers are automatically adjusted for optimal output to the monitor

Requirements

LCD Console

- ♦ The LCD console supports most ATEN DVI KVM switches. If you are unsure whether your switch is supported or not, check with your dealer.
- ♦ The integrated LCD monitor's maximum resolution is 1280 x 1024 @75Hz. Make sure that none of the resolution settings of the connected computers exceed the LCD monitor's maximum resolution.

External Console

- ♦ A VGA, SVGA, or MultiSync monitor or DVI monitor capable of displaying the highest resolution provided by any computer in the installation
- ♦ USB keyboard and mouse

Cables

For optimum signal integrity and to simplify the layout, we strongly recommend that you use high quality custom cable sets available in varying lengths, described in the table below, which can be purchased from your dealer.

Length (m)	Part Number
1.80	2L-7D02U
3.00	2L-7D03U
5.00	2L-7D05U
1.80	2L-7D02UI
3.00	2L-7D03UI

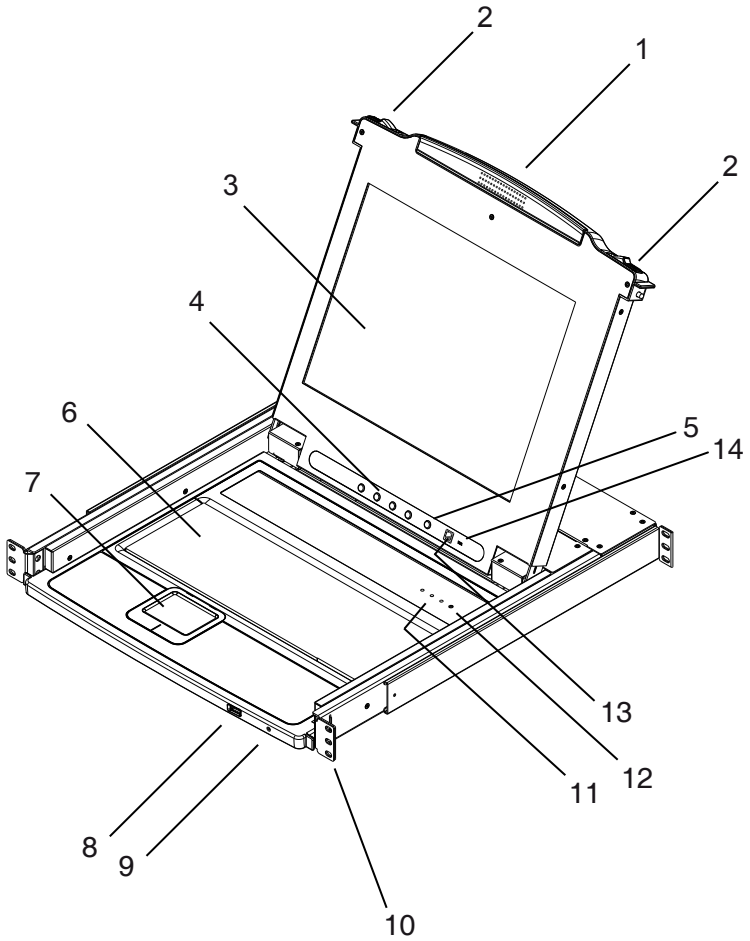
Operating Systems

Supported operating systems are shown in the table, below.

OS		Version
Windows		NT and higher
Linux	RedHat	9.0 and higher
	SuSE	10 and higher
	Mandriva (Mandrake)	9.0 and higher
UNIX	AIX	4.3 and higher
	FreeBSD	5.5 and higher
	Sun	Solaris 8 and higher
Novell	Netware	5.0 and higher
Mac		9.0 and higher
DOS		6.2 and higher

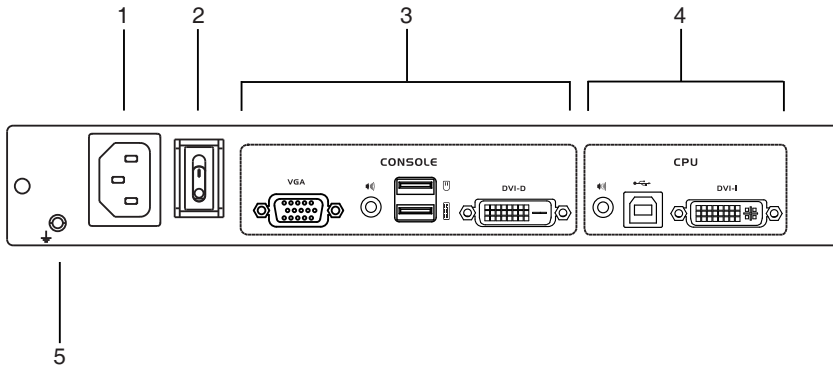
Components

Front View



No.	Component	Description
1	Upper Handle	Pull to slide the LCD module out; push to slide it in. See <i>Opening the Console</i> , page 13, for details on sliding the console in and out
2	Module Release Catches	In order to slide the console out, you must first release it by sliding these catches to the inside.
3	LCD Module	After sliding the LCD module out, flip up the cover to access the LCD display.
4	LCD Controls	The buttons to control the position and picture settings of the LCD display are located here. See page 16, for details.
5	LCD On / Off Button	Push this button to turn the LCD monitor on and off. The button lights when the LCD monitor is off. Note: The light indicates that only the monitor is off, not the attached KVM switch.
6	Keyboard Module	Standard 105-key keyboard
7	Touchpad	Standard mouse touchpad
8	USB Port	The USB port is available to connect a USB peripheral device (flash drive, CD-ROM drive, etc.) to the console, or a USB mouse for users who prefer to use an external mouse.
9	Power LED	Lights (blue) to indicate that the unit is receiving power.
10	Rack Mounting Tabs	Rack mounting tabs are located at each corner of the unit. See <i>Standard Rack Mounting</i> , page 9, for details.
11	Lock LEDs	The Num Lock, Caps Lock, Scroll Lock LEDs are located here.
12	Reset Switch	Located to the right of the Lock LEDs. Press this recessed switch in with a thin object to perform a system reset.
13	Firmware Upgrade Port	The firmware upgrade cable that transfers the firmware upgrade data from the administrator's computer plugs into this RJ-11 connector.
14	Firmware Upgrade Switch	During normal operation and while performing a firmware upgrade, this switch should be in the NORMAL position. If a firmware upgrade operation does not complete successfully, this switch is used to perform a firmware upgrade recovery. See <i>Firmware Upgrade Recovery</i> , page 27, for details.

Rear View



No.	Component	Description
1	Power Socket	This is a standard 3 prong AC power socket. The power cord from an AC source plugs in here.
2	Power Switch	This is a standard rocker switch that powers the CL6700 on and off.
3	External Console Section	For flexibility and convenience, the CL6700 supports an independent, external, KVM console. The external console's USB keyboard, DVI or VGA monitor, USB mouse, and audio cables plug in here.
4	KVM Port Section	The custom KVM cable supplied with the package for linking the CL6700 to a computer or switch plugs in here.
5	Grounding Terminal	The grounding wire (used to ground the unit) attaches here.

This Page Intentionally Left Blank

Chapter 2

Hardware Setup

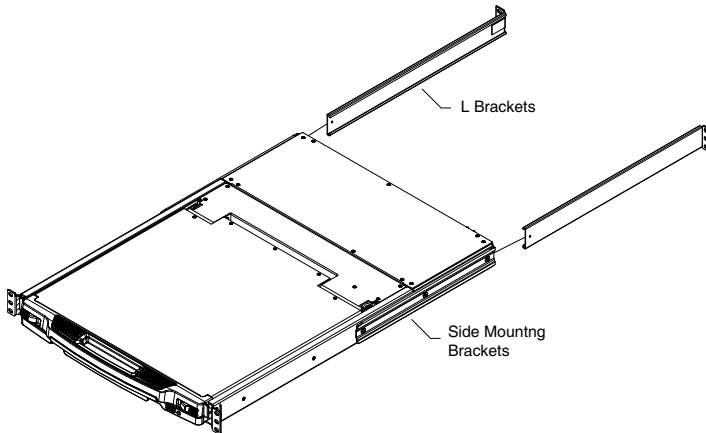
Before you Begin



1. Important safety information regarding the placement of this device is provided on page 29. Please review it before proceeding.
2. Make sure that power to all the devices you will be connecting up has been turned off. You must unplug the power cords of any computers that have the Keyboard Power On function.

Standard Rack Mounting

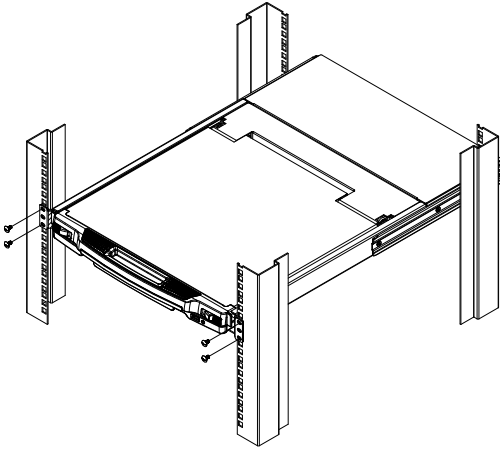
A standard rack mounting kit can be purchased separately for your CL6700. The kit enables the CL6700 to be mounted in rack with a depth of 52–85 cm.



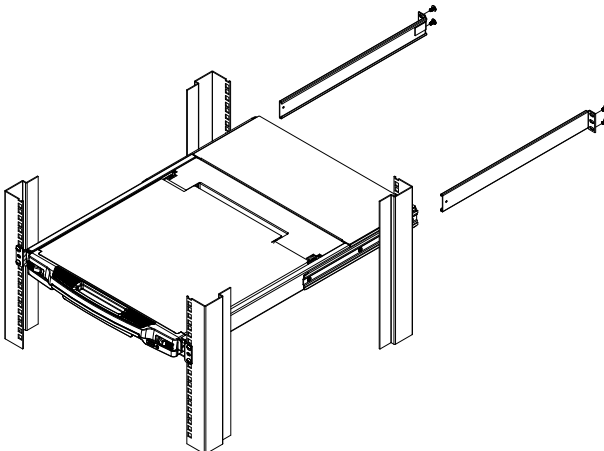
-
- Note:**
1. It takes two people to mount the switch: one to hold it in place, the other to screw it in.
 2. The standard rack mounting kit does not include screws or cage nuts. If you need additional screws or cage nuts, contact your rack dealer.
 3. Optional mounting kits – including single person *Easy Installation* kits – are available with a separate purchase. See *Optional Rack Mounting*, page 34 in the Appendix for details.
-

To rack mount the CL6700, do the following:

1. While one person positions the CL6700 in the rack and holds it in place, the second person loosely screws the front brackets to the rack.



2. While the first person still holds the CL6700 in place, the second person slides the L brackets into the CL6700's side mounting brackets from the rear until the bracket flanges contact the rack, then screws the L brackets to the rack.



3. After the L brackets have been secured, tighten the front bracket screws.

Note: Allow at least 5.1 cm on each side for proper ventilation, and at least 12.7 cm at the back for the power cord and cable clearance.

Connecting Up

Refer to the example installation diagram as you perform the following steps:

1. Plug the USB, DVI and audio connectors of a KVM cable (either supplied with the unit, or purchased separately, see *Cables*, page 3) into the CL6700's KVM ports.

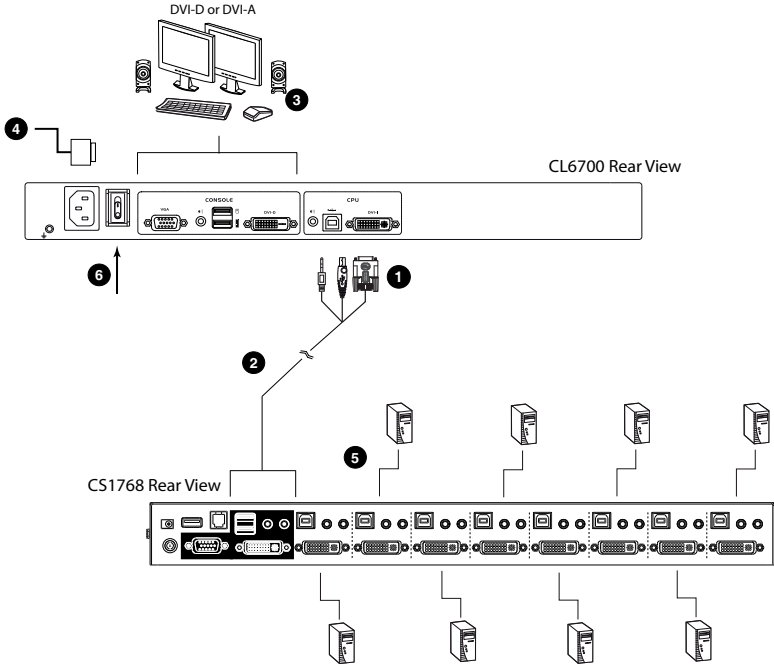
Note: The CL6700 supports speakers only. It does not support a microphone. Connect the KVM cable's speaker jack (green) to the CL6700's audio port.

2. Plug the keyboard, monitor, mouse and audio connectors of the KVM cable into their respective ports on the Console Section of a KVM switch.
3. If you are installing an external console, plug your keyboard, monitor, mouse and speakers into their respective ports on the Console Section of the CL6700.

Note: The CL6700 supports both a VGA and a DVI external console monitor, but only one video signal (DVI-D or VGA) can be displayed at a time. The DVI monitor will display a DVI-D signal only. A DVI-A signal will display on the VGA monitor

4. Plug the CL6700's power cord into the CL6700's power socket and into a power source.
5. Power up your KVM installation.
6. Turn on the power to LCD Console.

Installation Diagram

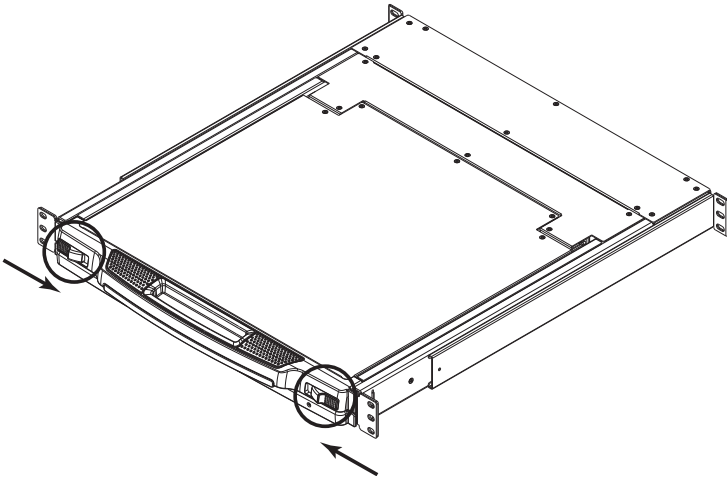


Chapter 3 Operation

Opening the Console

The CL6700's console is located under the top cover. To access the console, slide the console module out and raise the cover.

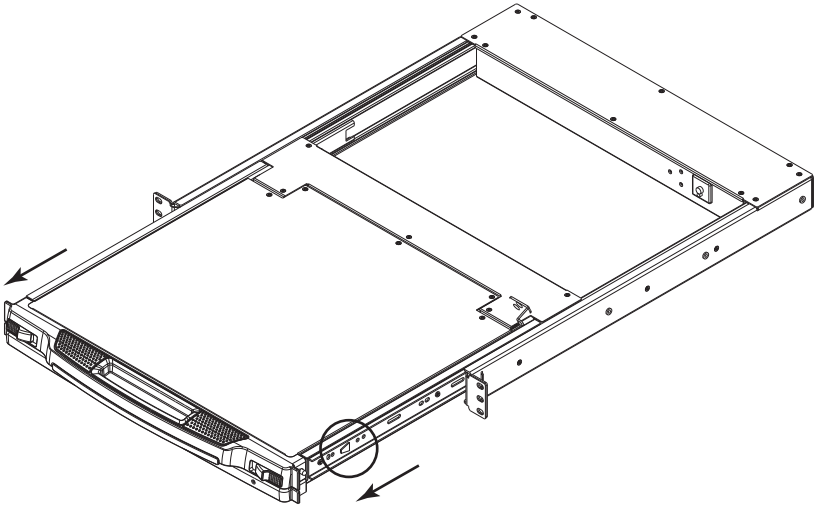
Note: As a safety precaution, to keep the console from accidentally sliding out, the console is locked into the *In* position. Before you can pull the console module out, you must release it by pushing the catches on the unit's front panel as indicated below.



Closing the Console

To slide the console module back in, close the cover and do the following:

1. Pull the safety catches on the unit's side rails toward you and push the module in until it stops.
2. Release the catches. Pull the module slightly toward you, then push it all the way in.

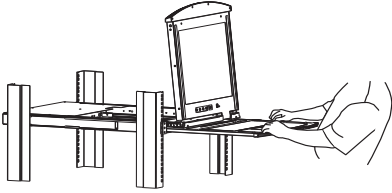
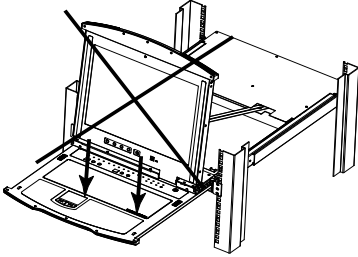


Note: The reason for the two step procedure is to minimize the chances of you pinching your fingers when sliding the module in.

Operating Precautions





The maximum load bearing capacity of the keyboard module is 30 kg. Failure to heed the information below can result in damage to the keyboard module.

	<p>Right!</p> <p>Rest your hands and arms lightly on the keyboard module as you work.</p>
	<p>Wrong!</p> <ul style="list-style-type: none">◆ DO NOT lean your body weight on the keyboard module.◆ DO NOT place heavy objects on the keyboard module.

LCD OSD Configuration

The LCD Buttons

The LCD OSD allows you to set up and configure the LCD display. Four buttons are used to perform the configuration, as described in the table, below:

Button	Function
MENU	<ul style="list-style-type: none"> ◆ When you have not entered the LCD OSD Menu function, pressing this button invokes the Menu function, and brings up the Main Menu. ◆ When you have entered the LCD OSD Menu function, and have reached a setting choice with the navigation buttons, pressing this button brings up its adjustment screen.
	When navigating through the menus, this button moves you Right or Up. When making an adjustment, it increases the value.
	When navigating through the menus, this button moves you Left or Down. When making an adjustment, it decreases the value.
EXIT	<ul style="list-style-type: none"> ◆ When you have not entered the LCD OSD Menu function, pressing this button performs an auto adjustment. An auto adjustment automatically configures all the settings for the LCD panel to what the OSD considers their optimum values to be. ◆ When you have entered the LCD OSD Menu function, pressing this button exits the current menu and returns you to the previous menu. Use it to leave an adjustment menu when you are satisfied with the adjustment you made. ◆ When you are at the Main Menu, pressing this button exits the LCD OSD.

The Adjustment Settings

An explanation of the LED OSD adjustment settings is given in the table below:

Setting	Explanation
Brightness	Adjusts the background black level of the screen image.
Contrast	Adjusts the foreground white level of the screen image.
Phase	If pixel jitter or horizontal line noise is visible on the display, your LED may have the wrong phase setting. Adjust the phase setting to eliminate these problems.
Clock	If vertical banding is visible on the display, your LED may have the wrong clock setting. Adjust the clock setting to eliminate vertical banding.
H-Position	Positions the display area on the LED panel horizontally (moves the display area left or right).

Setting	Explanation
V-Position	Positions the display area on the LED panel vertically (moves the display area up or down).
Color Temperature	Adjusts the color quality of the display. You can adjust the warmth value, color balance, etc. The <i>Adjust Color</i> selection has a further submenu that lets you fine tune the RGB values.
Language	Selects the language that the OSD displays its menus in.
OSD Duration	Lets you set the amount of time the OSD displays on the screen. If there is no input for the amount of time you choose, the OSD display turns off.
Reset	Resets the adjustments on all menus and submenus to their factory default settings. Note: The <i>Language</i> setting does not return to the factory default, but remains at the one that you have set it to.

Hot Plugging

The CL6700 supports *hot plugging* – components can be removed and added to the console by unplugging their cables from the ports without the need to shut down the CL6700.

Powering Off and Restarting

If it becomes necessary to Power Off the CL6700 (to upgrade the firmware, for example), simply turn off the power to the unit using the rear panel power switch. To restart the CL6700, turn the rear panel power switch back on.

Port ID Numbering & Port Selection

Port ID numbering and Port Selection follow the method used by the KVM switch connected to the CL6700. Consult your KVM switch's User Manual for details.

Hotkeys

Console selection on the CL6700 is accomplished with hotkey combinations, as described in the following table:

Combination	Action
[Ctrl] [Alt] [Shift] [P] [C] [Enter]	To select normal mode (pc, etc.).
[Ctrl] [Alt] [Shift] [S] [U] [N] [Enter]	To select SUN
[Ctrl] [Alt] [Shift] [u] [p] [g] [r] [a] [d] [e] [Enter]	Activates the Firmware Upgrade Mode. Note: this Hotkey sequence only works when the Firmware Upgrade Recovery Switch (see page 22) is in the Normal position.
[Ctrl] [Alt] [Shift] [L] [Enter]	Enable Local (LCD) console; Disable Remote (external) console.
[Ctrl] [Alt] [Shift] [R] [Enter]	Enable Remote (external) console Disable Local (LCD) console.
[Ctrl] [Alt] [Shift] [L] [R] [Enter] or [Ctrl] [Alt] [Shift] [R] [L] [Enter]	Enable both consoles (default).
[Ctrl] [Alt] [Shift] [U] [M] [Enter]	Configures the front USB Port to mouse mode (Mouse functionality is immediate upon switching to USB mouse mode).
[Ctrl] [Alt] [Shift] [U] [P] [Enter]	Configures the front USB Port to peripheral mode.

- Note:**
1. Press the keys in sequence – one key at a time. First **[Ctrl]**, then **[Alt]**, then **[Shift]**, etc.
 2. Console selections are not saved. If the CL6700 is powered off, it reverts to the default setting of both consoles enabled when it is powered on again.
 3. If the KVM switch connected to the CL6700 uses the **[Ctrl] [Alt] [Shift]** combination to invoke its hotkey mode, you won't be able to access any of its hotkey operations because the CL6700 will capture the combination for console selection first.

This Page Intentionally Left Blank

Chapter 4

Firmware Upgrade

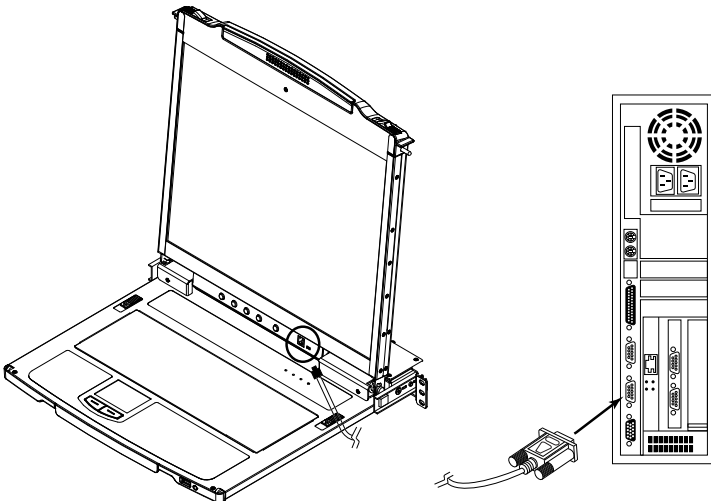
The Firmware Upgrade Utility

As new firmware revisions become available for the CL6700, firmware upgrade packages are posted on the ATEN web site. The Windows-based Firmware Upgrade Utility (FWUpgrade.exe) provides a smooth, automated process for upgrading the CL6700's firmware. Check the web site regularly to find the latest firmware packages and information relating to them.

Before You Begin

To prepare for the firmware upgrade, do the following:

1. From a computer that is not part of your CL6700 installation go to ATEN's Internet support site and choose the model name that relates to your device to get a list of available Firmware Upgrade Packages.
2. Choose the Firmware Upgrade Package you want to install (usually the most recent), and download it to your computer.
3. Use the *Firmware Upgrade Cable* (provided with this unit), to connect a COM port on your computer to the *Firmware Upgrade Port* of the CL6700.



Firmware Upgrade Mode

The CL6700's firmware upgrade mode can be accessed one of two ways: by entering a hotkey sequence (see *Hotkeys*, page 19), or by placing the CL6700 in firmware upgrade recovery mode (see *Firmware Upgrade Recovery*, page 27).

Note: In order to activate the Firmware Upgrade Mode using a hotkey sequence, the Firmware Upgrade Recovery Switch (see page 6) must be set to the **Normal** position.

1. Turn off the power to the CL6700 using the power switch located on the back side of the console.
2. Slide the firmware switch to RECOVER (see page 6).
3. Turn on the power to the CL6700 using the power switch located on the back side of the console.

When the CL6700 is in Firmware Upgrade Mode, the Num Lock, Caps Lock and Scroll Lock LEDs will continually flash on and off.

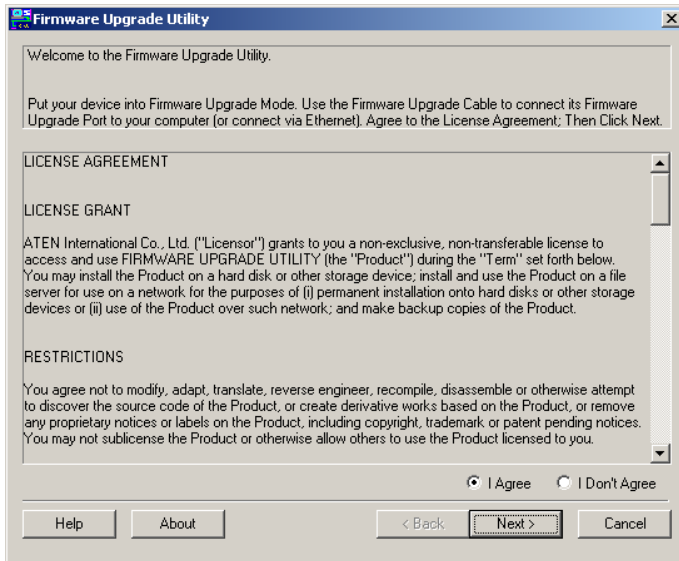
To exit the Firmware Upgrade Mode, see *Exiting Firmware Upgrade Mode*, page 27.

Performing the Upgrade

Starting the Upgrade:

1. With the CL6700 in Firmware Upgrade Mode, run the downloaded Firmware Upgrade Package file from your computer - either by double clicking the file icon, or by opening a command line and keying in the full path and filename.

The Firmware Upgrade Utility *Welcome* screen appears:

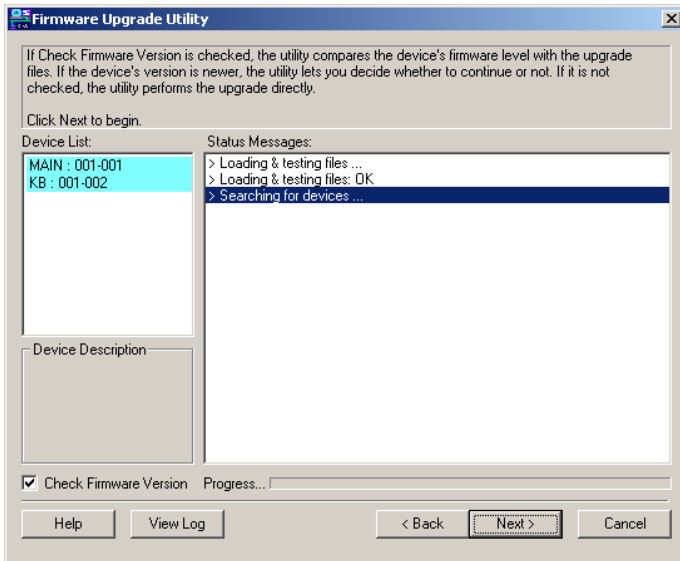


2. Read and *Agree* to the License Agreement (enable the I Agree radio button).

(Continues on next page.)

(Continued from previous page.)

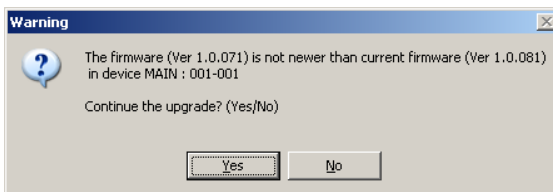
3. Click **Next**. The Firmware Upgrade Utility main screen appears:



The Utility inspects your installation. All the devices capable of being upgraded by the package are listed in the *Device List* panel.

4. Click **Next** to perform the upgrade.

- ◆ If you enabled *Check Firmware Version*, the Utility compares the device's firmware level with that of the upgrade files. If it finds that the device's version is higher than the upgrade version, it brings up a dialog box informing you of the situation and gives you the option to continue the upgrade:

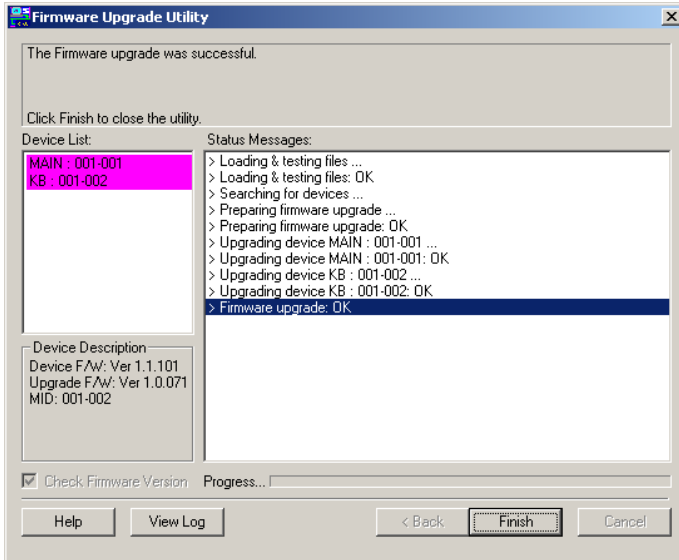


If you didn't enable *Check Firmware Version*, the Utility installs the upgrade files without checking whether they are a higher level, or not.

- ◆ As the Upgrade proceeds status messages appear in the Status Messages panel, and the progress toward completion is shown on the *Progress* bar.

Upgrade Succeeded:

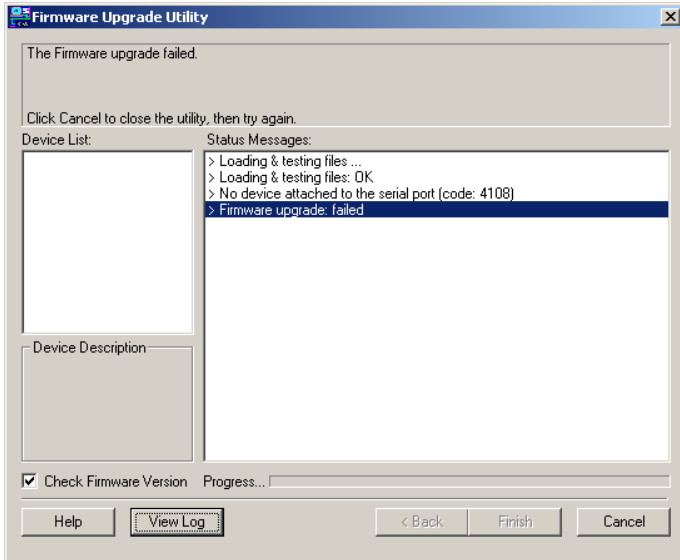
After the upgrade has completed, a screen appears to inform you that the procedure was successful:



Click **Finish** to close the Firmware Upgrade Utility.

Upgrade Failed:

If the upgrade failed to complete successfully the *Upgrade Failed* screen appears:



Click **Cancel** to close the Firmware Upgrade Utility. See the next section, *Firmware Upgrade Recovery*, for how to proceed.

Firmware Upgrade Recovery

There are three conditions that call for firmware upgrade recovery:

- ◆ When the unit's firmware becomes corrupted for some reason and you are unable to operate it.
- ◆ When a firmware upgrade procedure is interrupted.
- ◆ When a firmware upgrade procedure fails.

To perform a firmware upgrade recovery, do the following:

1. Power off the CL6700.
2. Connect the *Firmware Upgrade Cable* to its *Firmware Upgrade Port*.
3. Slide the *Firmware Upgrade Recovery Switch* to the **Recover** position.
4. Power the CL6700 back on and repeat the upgrade procedure.
5. After the CL6700 has been successfully upgraded, power it off, and slide the *Firmware Upgrade Recovery Switch* back to the **Normal** position.
6. Power the CL6700 back on.

Exiting Firmware Upgrade Mode

To exit the Firmware Upgrade Mode, do the following:

1. Slide the *Firmware Upgrade Recovery Switch* (see page 6) to the **Normal** position.
2. Power off and restart the CL6700 according to the instructions given in the *Powering Off and Restarting* section (see page 16).

This Page Intentionally Left Blank

Appendix

Safety Instructions

General

- ◆ Read all of these instructions. Save them for future reference.
- ◆ Follow all warnings and instructions marked on the device.
- ◆ Do not place the device on any unstable surface (cart, stand, table, etc.). If the device falls, serious damage will result.
- ◆ Do not use the device near water.
- ◆ Do not place the device near, or over, radiators or heat registers.
- ◆ The device cabinet is provided with slots and openings to allow for adequate ventilation. To ensure reliable operation, and to protect against overheating, these openings must never be blocked or covered.
- ◆ The device should never be placed on a soft surface (bed, sofa, rug, etc.) as this will block its ventilation openings. Likewise, the device should not be placed in a built in enclosure unless adequate ventilation has been provided.
- ◆ Never spill liquid of any kind on the device.
- ◆ Unplug the device from the wall outlet before cleaning. Do not use liquid or aerosol cleaners. Use a damp cloth for cleaning.
- ◆ The device should be operated from the type of power source indicated on the marking label. If you are not sure of the type of power available, consult your dealer or local power company.
- ◆ The device is designed for IT power distribution systems with 230V phase-to-phase voltage.
- ◆ To prevent damage to your installation it is important that all devices are properly grounded.
- ◆ The device is equipped with a 3-wire grounding type plug. This is a safety feature. If you are unable to insert the plug into the outlet, contact your electrician to replace your obsolete outlet. Do not attempt to defeat the purpose of the grounding-type plug. Always follow your local/national wiring codes.
- ◆ Do not allow anything to rest on the power cord or cables. Route the power cord and cables so that they cannot be stepped on or tripped over.

(Continues on next page.)

(Continued from previous page.)

- ◆ If an extension cord is used with this device make sure that the total of the ampere ratings of all products used on this cord does not exceed the extension cord ampere rating. Make sure that the total of all products plugged into the wall outlet does not exceed 15 amperes.
- ◆ To help protect your system from sudden, transient increases and decreases in electrical power, use a surge suppressor, line conditioner, or uninterruptible power supply (UPS).
- ◆ Position system cables and power cables carefully; Be sure that nothing rests on any cables.
- ◆ Never push objects of any kind into or through cabinet slots. They may touch dangerous voltage points or short out parts resulting in a risk of fire or electrical shock.
- ◆ Do not attempt to service the device yourself. Refer all servicing to qualified service personnel.
- ◆ If the following conditions occur, unplug the device from the wall outlet and bring it to qualified service personnel for repair.
 - ◆ The power cord or plug has become damaged or frayed.
 - ◆ Liquid has been spilled into the device.
 - ◆ The device has been exposed to rain or water.
 - ◆ The device has been dropped, or the cabinet has been damaged.
 - ◆ The device exhibits a distinct change in performance, indicating a need for service.
 - ◆ The device does not operate normally when the operating instructions are followed.
- ◆ Only adjust those controls that are covered in the operating instructions. Improper adjustment of other controls may result in damage that will require extensive work by a qualified technician to repair.
- ◆ Do not connect the RJ-11 connector marked “UPGRADE” to a public telecommunication network.

Rack Mounting

- ◆ Before working on the rack, make sure that the stabilizers are secured to the rack, extended to the floor, and that the full weight of the rack rests on the floor. Install front and side stabilizers on a single rack or front stabilizers for joined multiple racks before working on the rack.
- ◆ Always load the rack from the bottom up, and load the heaviest item in the rack first.
- ◆ Make sure that the rack is level and stable before extending a device from the rack.
- ◆ Use caution when pressing the device rail release latches and sliding a device into or out of a rack; the slide rails can pinch your fingers.
- ◆ After a device is inserted into the rack, carefully extend the rail into a locking position, and then slide the device into the rack.
- ◆ Do not overload the AC supply branch circuit that provides power to the rack. The total rack load should not exceed 80 percent of the branch circuit rating.
- ◆ Make sure that all equipment used on the rack – including power strips and other electrical connectors – is properly grounded.
- ◆ Ensure that proper airflow is provided to devices in the rack.
- ◆ Ensure that the operating ambient temperature of the rack environment does not exceed the maximum ambient temperature specified for the equipment by the manufacturer.
- ◆ Do not step on or stand on any device when servicing other devices in a rack.
- ◆ **Caution:** Slide/rail (LCD KVM) mounted equipment is not to be used as a shelf or a work space.



Technical Support

International

- ◆ For online technical support – including troubleshooting, documentation, and software updates: **<http://support.aten.com>**
- ◆ For telephone support, see *Telephone Support*, page iii.

North America

Email Support		support@aten-usa.com
Online Technical Support	Troubleshooting Documentation Software Updates	http://www.aten-usa.com/support
Telephone Support		1-888-999-ATEN ext 4988

When you contact us, please have the following information ready beforehand:

- ◆ Product model number, serial number, and date of purchase.
- ◆ Your computer configuration, including operating system, revision level, expansion cards, and software.
- ◆ Any error messages displayed at the time the error occurred.
- ◆ The sequence of operations that led up to the error.
- ◆ Any other information you feel may be of help.

Specifications

Function		CL6700	
Computer Connections		1	
Console Selection		Hotkey	
Connectors	External Console Ports	Keyboard	1 x USB Type A Female (White)
		Mouse	1 x USB Type A Female (White)
		Monitor 1	1 x DVI-D Female (White)
		Monitor 2	1 x HDB-15 Female (Blue)
		Speaker	1 x Mini Stereo Jack Female (Green)
	KVM Ports	KB / Mouse	1 x USB Type B Female (White)
		Monitor	1 x DVI-I Female (White)
		Speaker	1 x Mini Stereo Jack Female (Green)
	External Mouse /Peripheral		1 x USB Type A Female (Black)
	Power		1 x 3-prong AC Socket
Switches	Reset		1 x Semi-recessed Pushbutton
	Power		1 x Rocker
	F/W Upgrade		1 x Slide
	LCD Power		1 x Pushbutton
	LCD Adjustment		4 x Pushbutton
LEDs	Power		1 (Green)
	Lock	Num	1 (Green)
		Caps	1 (Green)
		Scroll	1 (Green)
Emulation	Keyboard / Mouse		USB
Video		1280 x 1024@75Hz, DDC2B	
I/P Rating		100–240VAC; 50–60Hz; 1A	
Power Consumption		120V, 24.6W / 230V, 25.4W	
Environment	Operating Temp.		0–50° C
	Storage Temp.		-20–60° C
	Humidity		0–80% RH NC
Physical Properties	Housing		Metal
	Weight		13.09 Kg
	Dimensions (L x W x H)		58.92 x 48.0 x 4.40 cm

Optional Rack Mounting

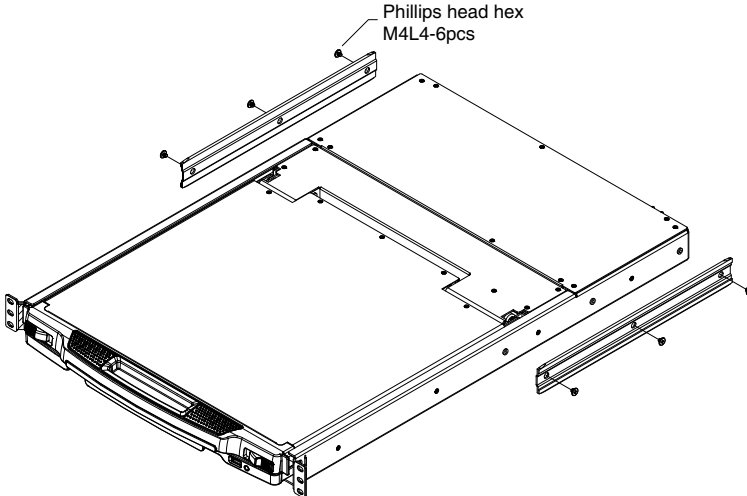
For convenience and flexibility, three optional rack mounting kits are available as shown in the following table:

Bracket Type	Size (cm)
Standard Installation – Long	70.0—105.0
Easy Installation – Short	57.0—70.0
Easy Installation – Long	68.0—105.0

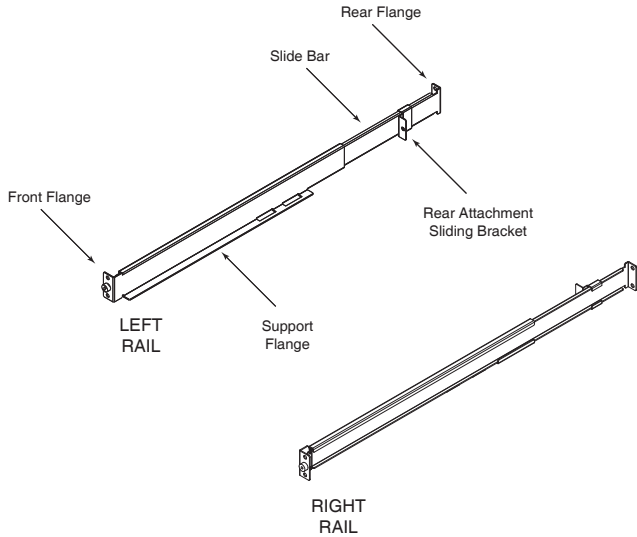
To install the long bracket standard rack mount kit, simply replace the short L brackets on the standard rack mount kit with the long ones, and mount the CL6700 according to the instructions given for *Standard Rack Mounting*, page 9.

While it takes two people to perform a standard installation, with an *Easy-Installation*, kit, one person can mount the CL6700. To install the *Easy-Installation* kit, do the following:

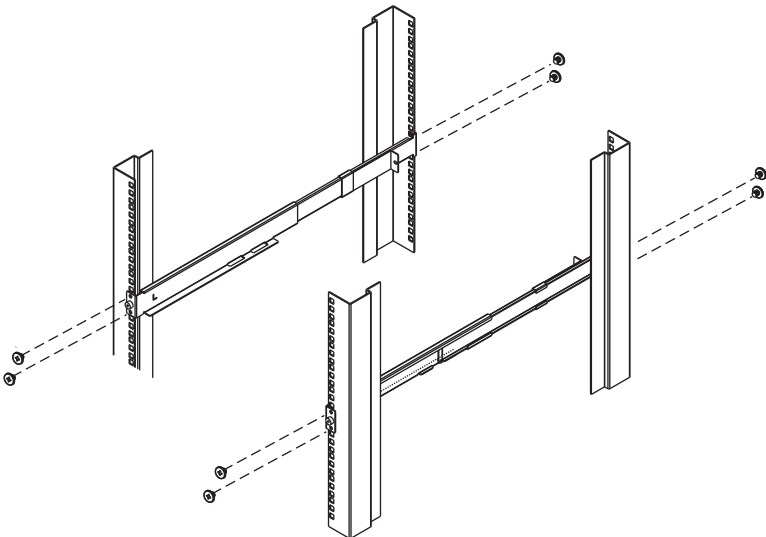
1. Remove the standard sliding L brackets (not shown) and the side mounting brackets from both sides of the CL6700.



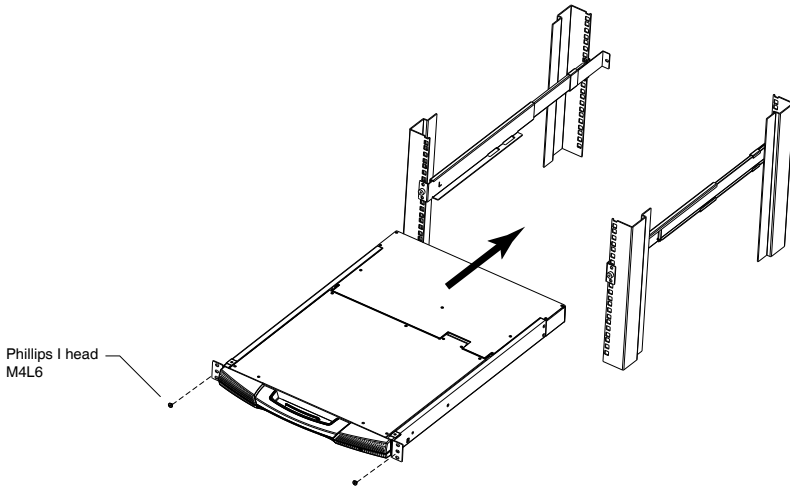
2. Attach the left and right *easy-installation* mounting rails to the inside of the rack. The flange that supports the CL6700 will be to the inside.



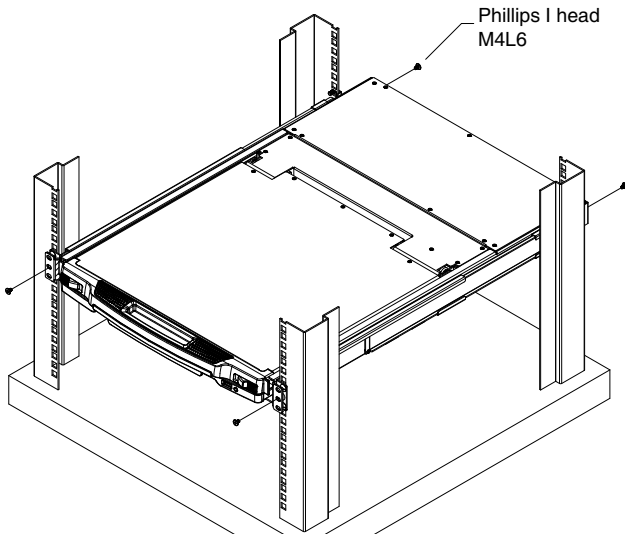
- a) Screw the front flanges to the rack first.
- b) Slide the bars with the rear flanges toward the rack until the flanges make contact with the rack, then screw the rear flanges to the rack.



- Slide the CL6700 onto the support flanges. Use the screws supplied with this package to loosely attach the front of the CL6700 to the front of the rack (only tighten the screws part way).











- Slide the rear attachment sliding brackets along the slide bars until they contact the rear of the CL6700, then use the screws supplied with this package to attach the bars to the rear of the CL6700 (tighten the screws all the way).



5. Slide the CL6700 open and closed a couple of times to be sure that it is properly aligned and operating smoothly. (See *Opening the Console*, page 13, for opening and closing procedures.)
6. After determining that the CL6700 is lined up and operating correctly, finish by fully tightening the front attachment screws inserted in Step 3.

Mac Keyboard Emulation



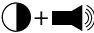




The PC compatible (101/104 key) keyboard can emulate the functions of the Mac keyboard. The emulation mappings are listed in the table below.

PC Keyboard	Mac Keyboard
[Shift]	Shift
[Ctrl]	Ctrl
	
[Ctrl] [1]	
[Ctrl] [2]	
[Ctrl] [3]	
[Ctrl] [4]	
[Alt]	Alt
[Print Screen]	F13
[Scroll Lock]	F14
	=
[Enter]	Return
[Backspace]	Delete
[Insert]	Help
[Ctrl] 	F15

Note: When using key combinations, press and release the first key (Ctrl), then press and release the activation key.

Sun Keyboard Emulation

The PC compatible (101/104 key) keyboard can emulate the functions of the Sun keyboard when the Control key [Ctrl] is used in conjunction with other keys. The corresponding functions are shown in the table below.

PC Keyboard	Sun Keyboard
[Ctrl] [T]	Stop
[Ctrl] [F2]	Again
[Ctrl] [F3]	Props
[Ctrl] [F4]	Undo
[Ctrl] [F5]	Front
[Ctrl] [F6]	Copy
[Ctrl] [F7]	Open
[Ctrl] [F8]	Paste
[Ctrl] [F9]	Find
[Ctrl] [F10]	Cut
[Ctrl] [1]	
[Ctrl] [2]	
[Ctrl] [3]	
[Ctrl] [4]	
[Ctrl] [H]	Help
	Compose
	

Note: When using key combinations, press and release the first key (Ctrl), then press and release the activation key.

Troubleshooting

Symptom	Action
There are ghost images on the external monitor.	The distance between the external console and the CL6700 is too great. The maximum DVI cable distance should not exceed 20m and, in some cases, may need to be shorter. Replace the DVI cable with one of an appropriately short length.
Some characters I enter from the keyboard do not display correctly.	The keyboard layout setting for the port does not match the keyboard you are using. On your switch, change the keyboard layout setting for the port to match the layout of the keyboard you are using.
I can't use the special keys on the Sun external keyboard to control Sun computers.	Use Sun keyboard emulation keystrokes (page 39) to achieve all Sun keyboard functions.

Limited Warranty

ATEN warrants this product against defects in material or workmanship for a period of one (1) year from the date of purchase. If this product proves to be defective, contact ATEN's support department for repair or replacement of your unit. ATEN will not issue a refund. Return requests can not be processed without the original proof of purchase.

When returning the product, you must ship the product in its original packaging or packaging that gives an equal degree of protection. Include your proof of purchase in the packaging and the RMA number clearly marked on the outside of the package.

This warranty becomes invalid if the factory-supplied serial number has been removed or altered on the product.

This warranty does not cover cosmetic damage or damage due to acts of God, accident, misuse, abuse, negligence or modification of any part of the product. This warranty does not cover damage due to improper operation or maintenance, connection to improper equipment, or attempted repair by anyone other than ATEN. This warranty does not cover products sold AS IS or WITH FAULTS.

IN NO EVENT SHALL ATEN'S LIABILITY EXCEED THE PRICE PAID FOR THE PRODUCT. FURTHER, ATEN SHALL NOT BE RESPONSIBLE FOR DIRECT, INDIRECT, SPECIAL, INCIDENTAL OR CONSEQUENTIAL DAMAGES RESULTING FROM THE USE OF THE PRODUCT, ITS ACCOMPANYING SOFTWARE, OR ITS DOCUMENTATION. ATEN SHALL NOT IN ANY WAY BE RESPONSIBLE FOR, WITHOUT LIMITATION, LOSS OF DATA, LOSS OF PROFITS, DOWNTIME, GOODWILL, DAMAGE OR REPLACEMENT OF EQUIPMENT OR PROPERTY, AND ANY EXPENSES FROM RECOVERY, PROGRAMMING, AND REPRODUCTION OF ANY PROGRAM OR DATA.

ATEN makes no warranty or representation, expressed, implied, or statutory with respect to its products, contents or use of this documentation and all accompanying software, and specifically disclaims its quality, performance, merchantability, or fitness for any particular purpose.

ATEN reserves the right to revise or update its product, software or documentation without obligation to notify any individual or entity of such revisions, or update.

For details about extended warranties, please contact one of our dedicated value added resellers.

This Page Intentionally Left Blank

Index

A

- AC Power Models
Specifications, 33

C

- Connecting Up, 11
- Console Selection, 19

F

- Features, 2
- Firmware upgrade
 - cable, 21
 - Mode, 22
 - recovery, 27
 - utility, 21

H

- Hot Plugging, 18

K

- Keyboard Emulation, 39
 - Mac, 38
- KL1100
 - Front View, 5
 - Rear View (AC Power), 7
 - Rear View (DC Power), 8

L

- LCD
 - Buttons, 16
 - OSD configuration, 16

O

- Online
 - Registration, iii
- Opening the Console, 13

- Operating Precautions, 15

P

- Port ID
 - Numbering & Selection, 18
- Powering Off, 18
- Precautions, 15

R

- Rack Mounting
 - Optional, 34
 - Standard, 9
- Reset Switch, 6
- Restarting, 18

S

- Safety Instructions
 - General, 29
 - Rack Mounting, 31
- Specifications, 33
 - AC Power Models, 33
- Sun Keyboard Emulation, 38
 - Cables, 3
 - External Console, 3
 - LCD Console, 3
 - Operating Systems, 4

T

- Technical Support, 32
- Telephone support, iii
- Troubleshooting, 40

U

- User Notice, iv

W

- Warranty, 41

Free Manuals Download Website

<http://myh66.com>

<http://usermanuals.us>

<http://www.somanuals.com>

<http://www.4manuals.cc>

<http://www.manual-lib.com>

<http://www.404manual.com>

<http://www.luxmanual.com>

<http://aubethermostatmanual.com>

Golf course search by state

<http://golfingnear.com>

Email search by domain

<http://emailbydomain.com>

Auto manuals search

<http://auto.somanuals.com>

TV manuals search

<http://tv.somanuals.com>