



Radeon® X1550 Series

User's Guide

P/N 137-71102-10

Copyright © 2006, ATI Technologies Inc. All rights reserved.

ATI, the ATI logo, and ATI product and product-feature names are trademarks and/or registered trademarks of ATI Technologies Inc. All other company and/or product names are trademarks and/or registered trademarks of their respective owners. Features, performance and specifications are subject to change without notice. Product may not be exactly as shown in diagrams.

Reproduction of this manual, or parts thereof, in any form, without the express written permission of ATI Technologies Inc. is strictly prohibited.

Disclaimer

While every precaution has been taken in the preparation of this document, ATI Technologies Inc. assumes no liability with respect to the operation or use of ATI hardware, software or other products and documentation described herein, for any act or omission of ATI concerning such products or this documentation, for any interruption of service, loss or interruption of business, loss of anticipatory profits, or for punitive, incidental or consequential damages in connection with the furnishing, performance, or use of the ATI hardware, software, or other products and documentation provided herein.

ATI Technologies Inc. reserves the right to make changes without further notice to a product or system described herein to improve reliability, function or design. With respect to ATI products which this document relates, ATI disclaims all express or implied warranties regarding such products, including but not limited to, the implied warranties of merchantability, fitness for a particular purpose, and non-infringement.

Macrovision

Apparatus Claims of U.S. Patent Nos. 4,631,603; 4,819,098; 4,907,093; and 6,516,132 licensed for limited viewing uses only.

This product incorporates copyright protection technology that is protected by US patents and other intellectual property rights. Use of this copyright protection technology must be authorized by Macrovision, and is intended for home and other limited viewing uses only unless otherwise authorized by Macrovision. Reverse engineering or disassembly is prohibited.

i IMPORTANT SAFETY INSTRUCTIONS

- **Read Instructions** - All the safety and operating instructions should be read before the product is operated.
- **Retain Instructions** - The safety and operating instructions should be retained for future reference.
- **Heed Warnings** - All warnings on the product and the operating instructions should be adhered to.
- **Compatibility** - This option card is for use only with IBM AT or compatible UL Listed personal computers that have Installation Instructions detailing user installation of card cage accessories.
- **Grounding** - For continued protection against risk of electric shock and fire, this accessory should be installed only in products equipped with a three-wire grounding plug, a plug having a third (grounding) pin. This plug will only fit into a grounding-type power outlet. This is a safety feature. If you are unable to insert the plug into the outlet, contact your electrician to replace the obsolete outlet. Do not defeat the safety purpose of the grounding-type plug.
- **Secure Attachment** - All card securement pins shall be completely tightened as to provide continuous bonding between the option card and the PC chassis.
- **Lightning** - For added protection for this product during a lightning storm, or when it is left unattended and unused for long periods of time, unplug it from the wall outlet, and disconnect the antenna or cable system. This will prevent damage to the product due to lightning and power-line surges.
- **Power Lines** - An outside antenna system should not be located in the vicinity of overhead power lines or other light or power circuits, or where it can fall into such power lines or circuits.
- **Antenna Installation** - When installing an outside antenna system, extreme care should be taken to keep from touching such power lines or circuits, as contact with them may be fatal.

Note: This graphics card is for use only with compatible UL Listed personal computers that have Installation Instructions detailing user installation of card cage accessories.

Table of Contents

Introduction	1
Radeon® X1550 Series Features	1
System Requirements	4
Before You Begin	4
Installing Hardware	7
Graphics Card Bus Types	7
Basic Graphics Card Installation	7
Advanced Installation: AGP	9
Advanced Installation: PCIe™	11
Connecting Devices	14
Using Multiple Displays	15
Display Configurations	17

Installing Software and Drivers	21
Installing Drivers and Software in Windows®	21
Monitor Configuration	22
To set up a multi-monitor display	23
Reinstalling Drivers	23
Installing the Catalyst™ Software Suite	24
Catalyst™ Control Center	27
Launching Catalyst™ Control Center	27
Catalyst™ Control Center Dashboard	30
Catalyst™ Control Center Views	31
Hotkeys Manager	32
Profiles Manager	33
Preferences	35
Help	38
Information Center	39
Displays Manager	40
Displays Manager Advanced View	41
Display Options	46
Monitor Properties	49
Avivo™ Color	54
HDTV Support	55
3D	58
Standard Settings	59
Anti-aliasing	61
Set the Anti-Aliasing preference manually	61
Adaptive Anti-aliasing	63
Anisotropic Filtering	63
Catalyst™ A.I.	65
Mipmap Detail Level	67
Adjust the Mipmap detail level	67
All Settings	68
API Specific	71
Color	73
Color Desktop	74
Color - FullScreen 3D	77
Avivo™ Video for Radeon® X1000 Series	78
Standard Settings	79
VPU Recover	88
Using TV Display and Capture Features	93
Using TV Out	93
Connecting to HDTV	95

CrossFire™ FAQ	99
Reference	103
Troubleshooting	103
Product Registration	105
Customer Care	105
Additional Accessories	107
Compliance Information	107
Glossary	111
Index	131

CHAPTER 1:

Introduction

Congratulations on the purchase of your ATI Radeon® X1550 Series graphics card. We hope that you will enjoy countless hours of trouble-free computing.

Radeon® X1550 Series Features

Graphic Features

- Native PCI Express® X16 bus support.
- Four parallel rendering pipelines.
- 32/MB/64MB/128MB/256MB/512MB GDDR3 on-board memory.
- Full support for Microsoft® DirectX® Shader Model 3.x.
- High performance Ultra-Threaded shader engine.
- Two vertex shader processors.
- Four pixel shader processors.
- 128-bit 4-channel memory interface supporting DDR/DDR2/GDDR3 memory devices.
- Native PCI Express® x16 bus interface.

SmoothVision™

- Full-scene anti-aliasing method that smooths uneven edges and improves blurred images.
- 2x/4x/6x Anti-aliasing modes with a loss-less compression up to a ratio of 6:1 at all resolutions.
- 2x/4x//8x/16x Anisotropic Filtering modes with up to 128-tap texture filtering.

HyperZ™

- Ensures optimal hardware performance by discarding irrelevant object data that is not visible to the user.
- Conserves video memory bandwidth.

- Loss-less Z-buffer compression
- Z Cache optimized for real-time shadow rendering.

VideoShader™

- Seamlessly integrates pixel shaders with video in real time.
- All format DTV/HDTV decoding.
- Adaptive Per-Pixel- De-interlacing and Frame Rate Conversion.

512-bit Ring Bus Memory Controller

- Programmable intelligent arbitration logic.
- New fully associative texture, color, and Z/stencil cache designs.
- Hierarchical Z-buffer with Early Z test.
- Lossless Z Compression (up to 48.1)
- Fast Z-Buffer Clear.
- Z Cache optimized for real-time shadow rendering.
- Optimized for performance at high display resolutions, including widescreen HDTV resolutions.

Ultra-Threaded Shader Engine

- Support for Microsoft® DirectX® 9.0 Shader Model 3.0 programmable vertex and pixel shaders in hardware.
- Full speed 128-bit floating point processing.
- Up to 512 simultaneous pixel threads.
- Dedicated branch execution units for high performance dynamic branching and flow control.
- Dedicated texture address units for improved efficiency.
- High resolution texture support (up to 4k x 4k).
- Up to 1,536 instructions per rendering pass.
- 3Dc+ texture compression
 - High quality 4:1 compression for normal maps and luminance maps.
 - Works with any single-channel or two-channel data format.
- Multiple Render Target (MRT) support.
- Render-to-vertex buffer support.
- Complete feature set also supported in OpenGL® 2.0.

High Dynamic Range (HDR) Rendering

- 64-bit floating point HDR supported throughout the pipeline
 - Includes support for blending and multi-sample anti-aliasing.
- High precision 10:10:10:2 integer format support.
 - Includes support for blending and multi-sample anti-aliasing.
- 2x/4x/6x Anti-Aliasing modes
 - Sparse multi-sample algorithm with gamma correction, programmable sample patterns, and centroid sampling.
 - New Adaptive Anti-Aliasing modes.
 - Temporal Anti-Aliasing mode.
 - Lossless Color Compression (up to 6:1) at all resolutions, including widescreen HDTV resolutions.
- 2x/4x/8x/16x Anisotropic Filtering modes
 - Up to 128-tap texture filtering.
 - Adaptive algorithm with performance and quality options.

Note: Not all features apply to all Radeon® X1550 Series graphics cards.

CrossFire™ Ready

Your Radeon® X1550 Series is CrossFire™ Ready and can be used in conjunction with a graphics cards of the same brand-family to complete a CrossFire™ capable system. CrossFire™ provides the best performance, flexibility, and game compatibility using multiple graphics processors in a single system. For more information see ati.com/crossfire

System Requirements

Hardware	<ul style="list-style-type: none"> • Intel® Pentium® 4 or AMD Athlon®. • 512MB of system memory; 1GB or more for best performance. • Optical drive for installation software (CD-ROM or DVD-ROM drive). • Specialized PCI Express® 350 watt or greater power supply recommended. Consult your computer system manual to ensure the power supply is designed to accommodate a high-end graphics card with a peak dissipation above 75 watts.
Operating System	<ul style="list-style-type: none"> • Windows® XP with Service Pack 2 (SP2). • Windows® XP Professional x64 Edition.
Monitor	<ul style="list-style-type: none"> • High-resolution MultiSync or multi-frequency monitors or any other type of VGA monitor. • Digital flat-panel (DFP) displays or digital CRT display.

External Connections

- 15-pin D-shell (female) VGA output.
- DVI-I output.
- S-Video output.

Before You Begin

Before you begin installing your new graphics card, please do the following.

Record Your Serial and Part Numbers

The serial number and 102 part number printed on the graphics card are required for registration. They are located on a sticker on the back of the card.



① Serial number (S/N)

2 102 part number (P/N)

Write the numbers, shown in bold above, down before installing your new ATI product.

Uninstall Previous Graphics Card Drivers

To ensure the successful installation of your new Radeon® X1550 Series card, you must uninstall the drivers for the existing graphics card before removing it from your computer.

To uninstall previous drivers

With your current graphics card still in your computer:

- 1 Close all applications that are currently running.
- 2 Navigate to the **Control Panel** and select **Add/Remove Programs**.
- 3 Select your current graphics card drivers and select **Add/Remove**. The wizard will help you remove your current display drivers.

Note: If the previously installed graphics card has any additional software installed, it should also be removed at this point.

- 4 Turn off your system and remove the old graphics card.

CHAPTER 2:

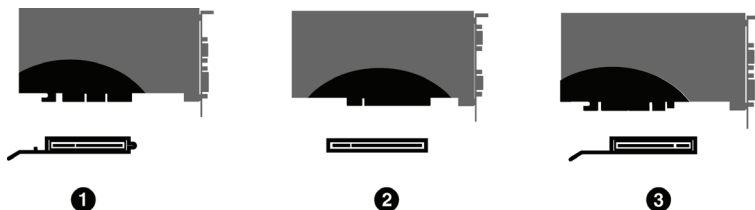
Installing Hardware

This chapter will guide you through the physical installation of your new Radeon® graphics card.

Graphics Card Bus Types

There are three possible card bus types. See the illustration below to determine if you have an AGP, PCI, or PCI Express® (PCIe™) graphics card.

AGP, PCI, and PCIe™ Graphics Cards



Bus Types

- | | |
|---|-------------------------------------|
| 1 | AGP card and AGP expansion slot |
| 2 | PCI card and PCI expansion slot |
| 3 | PCIe™ card and PCIe™ expansion slot |
-

Basic Graphics Card Installation

There are two types of installation. If your graphics card does not require a separate connection to the computer's power supply, follow the **Basic Install** instructions below. If your graphics card requires a separate connection to the computer's power supply, follow the **Advanced Install** instructions for either AGP or PCIe, as appropriate.

Radeon® graphics cards that require a connection to the computer's power supply will have a power cable connected to them.

Installing the graphics card

- 1 Turn off the computer, monitor, and other peripheral devices.
- 2 Unplug the computer's power cord and disconnect all cables from the back of your computer.



WARNING - Wait approximately 20 seconds after unplugging the power cord before disconnecting a peripheral or removing a component from the motherboard to avoid possible damage to the motherboard.

- 3 Remove the computer cover.

If necessary, consult your computer's manual for help in removing the cover.



WARNING - Remember to discharge your body's static electricity by touching the power supply or the metal surface of the computer chassis.

- 4 Unscrew or unfasten and remove any existing graphics card from your computer.

Note: If your computer has an on-board graphics capability, you may need to disable it on the motherboard. For more information, see your computer documentation.

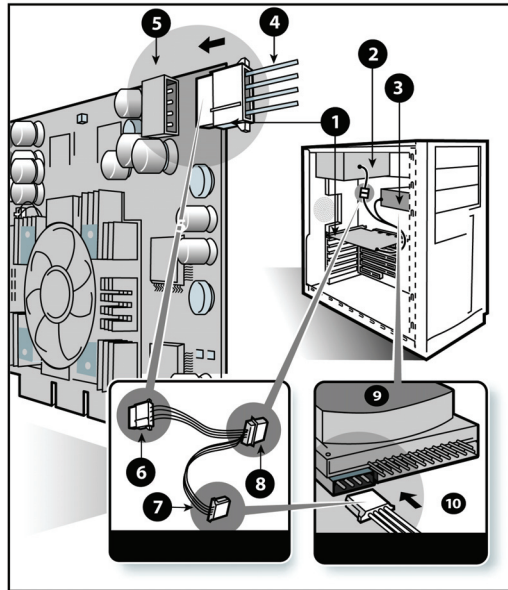
- 5 Locate the appropriate slot and, if necessary, remove the metal back-plate cover.
- 6 Align your ATI graphics card with the slot and press it in firmly until the card is fully seated.
- 7 Screw in or fasten the graphics card securely and replace the computer cover.
- 8 Reconnect any cables you have disconnected and plug in the computer's power cord.
- 9 Turn on the monitor and then your computer.

Advanced Installation: AGP

There are two types of installation. If your graphics card does not require a separate connection to the computer's power supply, follow the **Basic Install** instructions. If your graphics card require a separate connection to the computer's power supply, follow the **Advanced Install** instructions for either AGP or PCIe™, as appropriate.

Graphics cards that require connection to the computer's power supply will have a power cable connected in the upper-right corner of the card.

i Consult your system builder or OEM to ensure that your system has an adequate power supply. Generally, ATI recommends a 300 watt power supply or greater to ensure normal system operation where a number of other internal devices are installed.



Graphic Card Installation

- | | |
|---|---------------|
| 1 | Graphics Card |
| 2 | Power Supply |
| 3 | Hard Drive |

4	Power Cable Connector
5	4-Pin Power Connection
6	Power Extension Cable: Power Connector to Graphics Card
7	Power Extension Cable: Power Connector to Hard Drive
8	Power Extension Cable: Power Connector to Power Supply
9	Hard Drive
10	Power Connector to Hard Drive

Installing the graphics card

- 1 Turn off the computer, monitor, and other peripheral devices.
- 2 Unplug the computer's power cord and disconnect all cables from the back of your computer.



WARNING - Wait approximately 20 seconds after unplugging the power cord before disconnecting a peripheral or removing a component from the motherboard to avoid possible damage to the motherboard.

- 3 Remove the computer cover.

If necessary, consult your computer's manual for help in removing the cover.



WARNING - Remember to discharge your body's static electricity by touching the power supply or the metal surface of the computer chassis.

- 4 Unscrew or unfasten and remove any existing graphics card from your computer.

Note: If your computer has an on-board graphics capability, you may need to disable it on the motherboard. For more information, see your computer documentation.


- 5 Locate the appropriate slot and, if necessary, remove the metal back-plate cover.

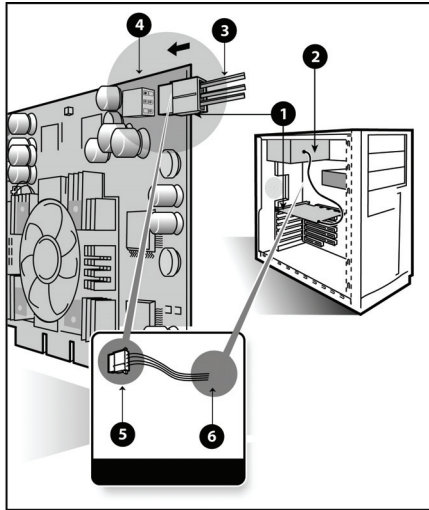
- 6 Align your ATI graphics card with the slot and press it in firmly until the card is fully seated.
- 7 Remove the power cable from the hard drive power connector.
- 8 Connect the power extension cable to the 4-pin power connection on the graphics card.
- 9 Connect the power extension cable to the power supply.
- 10 Connect the power extension cable to the hard drive.
- 11 Screw in or fasten the graphics card securely. Make sure the cables are not interfering with anything inside the computer (for example, a cooling fan) and replace the computer cover.
- 12 Reconnect any cables you have disconnected and plug in the computer's power cord.
- 13 Turn on the monitor, and then your computer.

Advanced Installation: PCIe™

There are two types of installation. If your graphics card does not require a separate connection to the computer's power supply, follow the **Basic Install** instructions. If your graphics card require a separate connection to the computer's power supply, follow the **Advanced Install** instructions for either AGP or PCIe™, as appropriate.

Graphics cards that require connection to the computer's power supply will have a power cable connected to them.

 Consult your system builder or OEM to ensure that your system has an adequate power supply. A PCI Express® compatible system has a specialized 12V graphics card power connector. A 450 watt or greater power supply is recommended. Consult your computer system manual to ensure the power supply is designed to accommodate a high-end graphics card with a peak dissipation above 75 watts.



Graphics Card Installation

- | | |
|---|----------------------------------|
| 1 | Graphics Card |
| 2 | Power Supply |
| 3 | 6-pin Power Cable Connector |
| 4 | 6-pin Power Connection |
| 5 | Power connector to Graphics Card |
| 6 | Power connector to Power Supply |

Installing the Radeon® graphics card

- 1 Turn off the computer, monitor, and other peripheral devices.
- 2 Unplug the computer's power cord and disconnect all cables from the back of your computer.



WARNING - Wait approximately 20 seconds after unplugging the power cord before disconnecting a peripheral or removing a component from the motherboard to avoid possible damage to the motherboard.

3 Remove the computer cover.

If necessary, consult your computer's manual for help in removing the cover.



WARNING - Remember to discharge your body's static electricity by touching the power supply or the metal surface of the computer chassis.

4 Unscrew or unfasten and remove any existing graphics card from your computer.

Note: If your computer has an on-board graphics capability, you may need to disable it on the motherboard. For more information, see your computer documentation.

5 Locate the appropriate slot and, if necessary, remove the metal back-plate cover.

6 Align your ATI graphics card with the slot and press it in firmly until the card is fully seated.

7 Screw in or fasten the graphics card securely. Make sure the cables are not interfering with anything inside the computer (for example, a cooling fan) and replace the computer cover.

8 Reconnect any cables you have disconnected and plug in the computer's power cord.

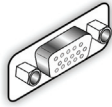
9 Turn on the monitor, and then your computer.



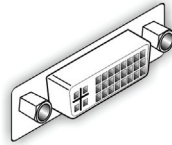
Your computer will beep, possibly show a warning message on your display, and the boot process will stop if the graphics card is not correctly connected to the power supply.

Connecting Devices

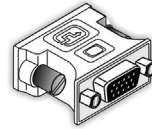
The following illustration shows typical connections found on ATI graphics cards:



VGA



DVI-I



VGA-DVI-I



S-Video



CATV



Composite

Connector Types

VGA	Supports an analog CRT monitor.
DVI-I	Supports a digital monitor.
VGA-DVI-I Adapter	Supports an analog monitor on a DVI-I connection.
S-Video In/Out	Supports a TV, VCR, or Camcorder.
CATV	Supports a TV antenna or cable service.
Composite	Supports a TV, VCR, or Camcorder.



For more information about connecting to your All-in-Wonder® graphics card, see the AIW All-in-Wonder® Quick-Start Guide and the All-in-Wonder® User's Guide located on the CD that came with your new All-in-Wonder® graphics card.

CHAPTER 3:

Using Multiple Displays

Connecting Your Monitors

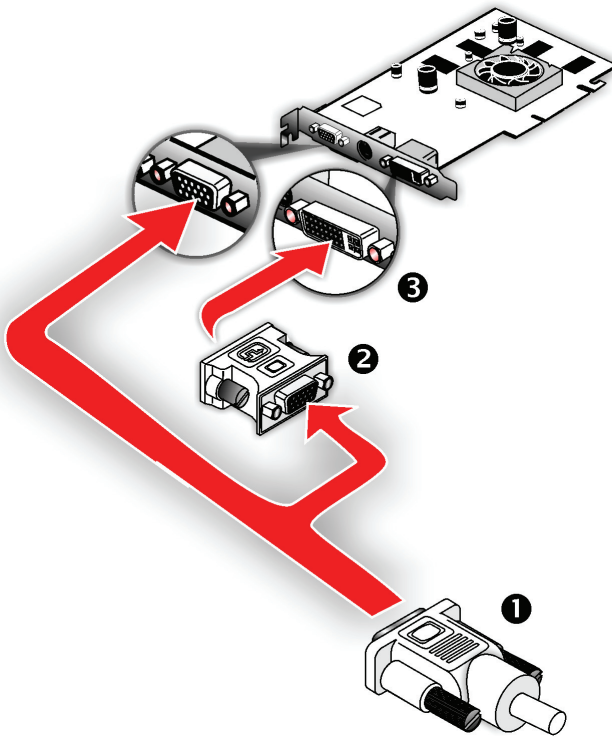
Your Radeon® X1550 Series graphics card provides hardware support for the following display configurations:

- Single VGA.
- Single DVI.
- Dual VGA (DVI-I-to-VGA adapter use required).

The TV Out connection supports the following TV formats (cables not provided):

- Composite.
- S-video.
- Component.

The TV Out connection can be combined with DVI or VGA (DVI-I-to-VGA adapter use required) for clone or extended display support.



Connections and Adapters for the Radeon® X1550 Series Card

- | | |
|----------|--|
| 1 | Standard VGA Monitor Connector. To connect a VGA monitor to the DVI-I connector, plug the supplied DVI-I-to-VGA adapter into the DVI-I connector, then plug your monitor cable into the adapter. |
| 2 | DVI-I-to-VGA Adapter (optional, not included). |
| 3 | DVI-I Connection. To connect a digital display. |
-

Note: If you use multiple monitors, the Radeon® X1550 Series card must be the primary graphics card. Normally, the system BIOS determines which graphics card will be the primary.

To connect your monitors

- 1** Power off your computer and monitors.
- 2** Plug the monitor cables into their appropriate connectors.

- 3 Power on your monitors first, and then restart your computer so that Windows® can detect the new hardware settings.
- 4 When the **New Hardware Found** Wizard appears, at the appropriate prompt insert the ATI Installation CD to load the drivers for your Radeon® X1550 Series card.

To set up a multi-monitor display

- 1 From the **Start** button click **Control Panel**, then **Display**. Click the **Settings** tab to access the basic multi-monitor configuration settings.

Note: ATI provides Catalyst™ Control Center software that provides many additional configuration features. It can be accessed by clicking the **Advanced** button from the **Display Properties > Settings** tab.

- 2 Select the **Monitor** icon identified by the number **2**.
- 3 Click **Extend my Windows desktop onto this monitor**.
- 4 Set the **Screen Resolution** and **Color Quality** as appropriate for the second monitor. Click **Apply** or **OK** to apply these new values.
 - Refer to your Windows® online help and documentation for further information on using the **Settings** tab.

Note: When you use multiple monitors with your card, one monitor will always be **Primary**. Any additional monitors will be designated as **Secondary**.

Display Configurations

Your Radeon® X1550 Series graphics card provides dual display functionality. The following table lists the different ways you can connect displays to your card.

Display Configuration	Connector(s) Used	Comments
Single CRT display	VGA connector OR DVI-I connector with DVI-I-to-VGA adapter	CRT- cathode ray tube analog display.
Single DFP display	DVI-I connector	DFP - digital flat panel display.

Display Configuration	Connector(s) Used	Comments
Single TV	S-Video Out	The S-Video out can also support a composite connection via the S-Video-to-Composite adapter.
Single HDTV display	S-Video Out to HDTV (YPrPb) cable	HDTV - High Definition Television
CRT display + TV	VGA connector + S-Video Out	UNSUPPORTED CONFIGURATION if the CRT display is attached to the DVI-I connector via the DVI-I-to-VGA adapter.
CRT display + HDTV	VGA connector + S-Video Out to HDTV (YPrPb) cable	
DFP display + TV	DVI-I connector + S-Video out	
DFP display + HDTV	DVI-I connector + S-Video Out to HDTV (YPrPb) cable	
CRT display + DFP display	VGA connector + DVI-I connector	
CRT display + CRT display	VGA connector + DVI-I connector with DVI-I-to-VGA adapter	The DVI-I connector can support a CRT display using the DVI-I-to-VGA adapter
CRT display + DFP display + TV	VGA connector + DVI-I connector + S-Video Out	The TV display will "clone" the image of one of the other two displays
CRT display + DFP display + HDTV	VGA connector + DVI-I connector + S-Video Out to HDTV (YPrPb) cable	
CRT display + CRT display + TV	VGA connector + DVI-I connector with DVI-I-to-VGA adapter + S-Video Out	UNSUPPORTED CONFIGURATION

Display Configuration	Connector(s) Used	Comments
CRT display + CRT display + HDTV	VGA connector + DVI-I connector with DVI-I-to-VGA adapter + S-Video Out to HDTV (YPrPb) cable	UNSUPPORTED CONFIGURATION

CHAPTER 4:

Installing Software and Drivers

This chapter will guide you through the installation of the drivers and software associated with your Radeon® X1550 Series graphics card.

Installing Drivers and Software in Windows®

You will need to install the Radeon® X1550 Series drivers and software in the following cases:

- After you have installed the card in your system.
- After you have reinstalled or upgraded your operating system.

This procedure applies to Windows® XP.

Software Installation Prerequisites

To install or remove the drivers, you must have administrator rights or be logged on as a user with administrator rights.

Your operating system must be installed and running before you can install the Radeon® X1550 Series drivers. Also, make sure that you have installed Service Pack 2 for Windows® XP.

Make sure your monitor cable is properly attached before you begin.

Note: The installation dialog will display in English if your operating system's language is not supported.

To install ATI drivers and software

Note: Optical drive refers to CD-ROM or DVD-ROM drive.

- 1 Start your system. When the **Found New Hardware Wizard** appears, click **Cancel**. When the **System Settings Change** window asks you to restart your computer, click **No**.

- 2 Run the **ATIS SETUP** utility. The **ATIS SETUP** utility will start automatically when you insert the ATI Installation CD-ROM into your optical drive after the operating system has started. If your CD-ROM auto-run is not enabled or the **ATIS SETUP** utility does not start automatically:
 - a) Click the **Start** button in the task bar.
 - b) Click **Run**.
 - c) Select **ATIS SETUP.EXE** from the root directory of the ATI Installation CD-ROM.
 - d) Click **OK**.
- 3 Click **Install** under Software Install.
- 4 Click **Next**.
- 5 Click **Yes** to the license agreement. **ATI Easy Install** will start the **Installation Wizard**.
- 6 Follow the wizard's on-screen instructions to complete the installation.



The Express installation option is recommended. By selecting this option, the HydraVision™ multi-monitor and desktop management software will automatically be installed, along with the ATI driver. Not all software components are installed using the Express installation. Custom installation allows you to select individual software components for installation.

- 7 When the Setup Complete message appears, select **Yes, I want to restart my computer now** and click **Finish**.
- 8 After the system reboots, the **Found New Hardware** message displays **Digital Signature Not Found**. Click **Yes** or **Continue** to complete the driver installation.

Monitor Configuration

Once the drivers and software have been installed, you can configure your monitor.



Warning - Choosing a refresh rate unsupported by your monitor may damage your monitor. Consult your monitor's documentation if necessary.

To configure your primary display

- 1 Navigate to the **Control Panel** and choose **Display**, or right-click on the desktop and choose **Properties**.
- 2 Choose the **Settings** tab and select the screen resolution and color depth that best suit your requirements and your monitor's performance.
- 3 Click **Advanced** and select the **Monitor** tab.
- 4 Choose a refresh rate from the drop-down list.
- 5 Click **OK** to return to the desktop.

To set up a multi-monitor display

- 1 From the **Start** menu click **Control Panel**, then **Display**. Click the **Settings** tab to access the basic multi-monitor configuration settings.
- 2 Select the **Monitor** icon identified by the number 2.
- 3 Click **Extend my Windows desktop onto this monitor**.
- 4 Set the **Screen Resolution** and **Color Quality** as appropriate for the second monitor. Click **Apply** or **OK** to apply these new values.
 - Refer to your Windows® online help and documentation for further information on using the **Settings** tab.

Note: When you use multiple monitors with your Radeon® X1550 Series card, one monitor will always be **Primary**. Any additional monitors will be designated as **Secondary**.

Note: You can also enable multiple monitors using ATI's Catalyst™ Control Center.

Reinstalling Drivers

You can install new drivers or reinstall existing drivers if there was a Windows® conflict.

Reinstall the drivers at any time using the **ATISSETUP** utility located on the ATI Installation CD-ROM. The **ATISSETUP** utility will start automatically if you insert the ATI Installation CD-ROM into your optical drive after the operating system has started.

To manually reinstall drivers

If your CD-ROM auto-run is not enabled and the **ATISSETUP** utility does not start automatically, follow these steps.

- 1 In the Windows® task bar, click **Start**.
- 2 From the **Start** menu, select **Run**.
- 3 Browse to **SETUP.EXE** on the root directory of the ATI Installation CD-ROM.
- 4 Click **OK**.

Installing the Catalyst™ Software Suite

ATI's Catalyst™ Software Suite provides software required to enjoy all the features of your ATI graphics card. The Catalyst™ Software Suite has several distinct software elements, including:

- Driver
- Catalyst™ Control Center
- HydraVision™ (not included in the *Express* Install)
- Remote Wonder™ Software
- SurroundView™

To install the Catalyst™ software suite

Note: Optical drive refers to any drive capable of reading CD-ROM media.

- 1 Insert the ATI Installation CD-ROM into your optical drive.
If Windows® runs the CD-ROM automatically, proceed to step 5.
- 2 Click **Start > Run**.
- 3 Type the following: `D:\ATISSETUP`
(If `D` is not your optical drive, substitute the correct drive letter.)
- 4 Click **OK**.
- 5 Click **Install** under Software Install.
- 6 Click **Next** and click **Yes** to the license agreement.
- 7 Click **ATI Easy Install** to begin the Installation Wizard.
- 8 Follow the Wizard's on-screen instructions, then choose either **Express** or **Custom Install**.

Not all software components are installed using the Express installation. Custom installation allows you to select individual software components for installation.

CHAPTER 5:

Catalyst™ Control Center

The Catalyst™ Control Center is a graphical user application providing access to the display features contained within the installed ATI hardware and software. Use the Catalyst™ Control Center to fine-tune your graphics settings, enable or disable connected display devices, and change the orientation of your desktop. Many of the features show you a preview of the changes before they are applied.

The Catalyst™ Control Center offers you two views of the software:

- Standard View is a simplified view that includes wizards to get the inexperienced user up and running.
- Advance View allows the advanced user to access and configure the complete feature set of the software.

The Catalyst™ Control Center can be customized for easy access to the features you use most.

Use the Catalyst™ Control Center to access a comprehensive online help system, or connect to the ATI Web site.

Launching Catalyst™ Control Center

Catalyst™ Control Center can be launched from one of the following access points:

- Windows® Start Menu
- Windows® System Tray
- Desktop Shortcuts
- Predefined Hotkeys

Launching Catalyst™ Control Center Using the Start Menu

From the Windows® task bar, click **Start**:

- Click to **All Programs > ATI Catalyst™ Control Center > ATI Catalyst™ Control Center**.

Other Quick Launch Access Points

Launching Catalyst™ Control Center Using the System Tray

- 1 Right-click the ATI icon in the Windows® System Tray.
- 2 Select Catalyst™ Control Center from the popup menu.

Launching Catalyst™ Control Center Using the Desktop Shortcut

When you first installed Catalyst™ Control Center the setup wizard provided you with the option of placing a shortcut on the desktop.

- Double-click the Catalyst™ Control Center desktop shortcut.

Launching Catalyst™ Control Center Using Hot Keys

- You can press the predefined combination of keys **Ctrl+Alt+C** to launch Catalyst™ Control Center, or you can define your own hot key sequence by using the Catalyst™ Control Center's Hotkey Manager.



Catalyst™ Control Center: Standard View



Catalyst™ Control Center: Advanced View

Catalyst™ Control Center Dashboard

The Catalyst™ Control Center Dashboard is a graphical representation of the display features of the installed ATI hardware and software. Use the Dashboard to fine-tune your graphic settings, enable or disable connected display devices, and change the orientation of your desktop. Many features present you with a preview of your changes before they are applied.

The Dashboard is only available in Advanced View and Custom View, if selected.

Use the Dashboard to access a comprehensive online help system, create a hot key, or customize the way you view the Catalyst™ Control Center.

The Dashboard includes:

- Views
- Hot keys

- Profiles
- Preferences
- Help

Catalyst™ Control Center Views

The Catalyst™ Control Center Dashboard supports three types of views:

- Basic
- Advanced
- Custom

Basic View

Basic View is the default view when Catalyst™ Control Center is launched for the very first time. It includes a wizard that guides you through the process of configuring your display devices. Basic View is recommended for novice users.

Advanced View

Advanced View provides access to all the features offered by the Catalyst™ Control Center. Advanced View is recommended for experienced users.

Custom View

Custom View allows you to choose the features that appear in the left navigation pane. Custom View is recommended for experienced users who want to access only the features they adjust most often or that their 3D applications support.

Switch Views

When in Advanced view, click **View** button and select either Basic, or Custom View.

When in Basic view, select **Advanced** in the Basic View Welcome page or click the **Advanced** button in any other page.

Note: The Advanced button does not appear in all Basic View pages.

Create a Custom View

- 1 In Advanced View, click **View** and select **Define Custom View**.
- 2 In the **Define a Custom View** dialog, click the plus sign beside the graphics card name to expand the tree view.
- 3 Select the check box next to each aspect you wish to add to your custom view.
- 4 Click **OK** to save the changes.

Hotkeys Manager

The Hotkeys Manager allows you to create shortcut key combinations to quickly perform tasks such as changing a graphics setting or opening an application. A hot key is a combination of one or more modifier keys, such as Ctrl, Alt, or Shift, and any letter from the alphabet.

Note: Hotkeys Manager is only available in Advanced View.

Display Hotkeys Manager

- 1 Click **Hotkeys** in the Dashboard.
- 2 Select **Hotkeys Manager**.

Enable Hotkeys feature

- 1 Open **Hotkeys Manager**.
- 2 Select the **Enable Hotkeys feature** check box.

Edit an existing hot key

- 1 Open **Hotkeys Manager**.
- 2 Select an option from the **List Hotkeys for** drop-down menu.
 - Optionally, select an aspect from the **According to list**.
- 3 Click a hot key to edit.
- 4 Click **Edit** button.
- 5 Choose a modifier.
- 6 Enter any letter of the alphabet.
- 7 Click the **OK** button to save your changes.

Note: A hot key character is restricted to letters of the alphabet.

Create a list of active hot keys

- 1 Open **Hotkeys Manager**.
- 2 Select an option from the **List Hotkeys for** drop-down menu.
 - Optionally, select an aspect from the **According to** list.
- 3 Select the hot key actions you want active.

Note: A hot key action must have a hot key assigned to it before the hot key can be made active.

See a list of active hot keys only

- 1 Open **Hotkeys Manager**.
- 2 Click **List active Hotkeys only**.
- 3 Select an option from the **List Hotkeys for** drop-down menu.
 - Optionally, select an aspect from the **According to** list.

Sort hot keys

Hot keys can be sorted by their state, actions, or key combination.

- 1 Open **Hotkeys Manager**
 - Click **Active** button to sort by state.
 - Click **Hotkeys Actions** button to sort by action.
 - Click **Hotkeys** button to sort by key combination.
- 2 Clicking the respective button toggles ascending/descending sort order.

Apply a hot key

- Press and hold down the modifier(s) keys, then press the assigned keyboard key. For example: press and hold down the Ctrl and Alt keys, then press the C key.

Profiles Manager

Use profiles to create customized environments for your desktop, video, and 3D applications. Define and save into a profile your own personal video settings that can be quickly activated manually, through a hot key, or by file association.

Note: A profile applies to a specific graphics card. If there is more than one graphics card installed in your computer, you need to select the appropriate card before creating, loading, or activating a profile.

Note: Profiles Manager is only available in Advanced View.

Display Profiles Manager

- 1 Click **Profiles** in the Dashboard.
- 2 Select **Profiles Manager**.

Create a profile

A profile can be created from any aspect of Catalyst™ Control Center.

- 1 Make customized changes by adjusting the various sliders and buttons for the aspects to be included in your profile.
- 2 Open the **Profiles Manager**.
- 3 Enter a name for your Profile in **Create or Edit Profile**.
- 4 Enter a description of the profile.
- 5 Select the composition, activation, and applications options that you wish to apply to the profile.
- 6 Click **Save**.

Set the composition of the profile

- 1 Open the **Profiles Manager**.
- 2 Click the **Composition** tab.
 - **all Catalyst™ Control Center settings** applies the available settings for all graphics adapters.
 - **the following settings** applies only the settings selected in the treeview.

Activate a profile

- 1 Open the **Profiles Manager**.
- 2 Select a profile from **Create or Edit a Profile** drop-down menu.
- 3 Click the **Activation** tab.
- 4 Set a profile to activate manually:
 - Click **Manually by** then select your preferred method for activating a profile. For example, a shortcut on your desktop.

- If you choose **Hotkeys assignment**, select a Hot key modifier and a keyboard key.

Activate an application, file, or shortcut when a profile is started

- 1 Open the **Profiles Manager**.
- 2 Click the **Applications** tab.
- 3 Click **opens the following application, file or shortcut**.
- 4 Click the browse (“...”) button and browse to the file you want associated with your profile.
- 5 Click on the file name, then click **Open** to select the file.

Save a profile

- 1 Open the **Profiles Manager**.
- 2 Enter a name for the profile in the **Enter or select a profile name** box.
- 3 Select options for the profile.
- 4 Click **Save**.
- 5 Click the **Activate & Close** button to apply the saved profile and close the Profiles Manager.
 - Optionally, click the **Activate** button to apply the saved profile but leave the Profiles Manager open.
 - Optionally, click the **Close** button to close the Profiles Manager without applying the saved Profile.

Delete a profile

- 1 Open the **Profile Manager**.
- 2 Select a profile from the **Create or Edit a Profile** drop-down menu.
- 3 Click **Delete**.
- 4 Click **OK** to confirm.

Preferences

Use the Preferences page to restore factory defaults, change skins, or enable/disable the System Tray icon.

The Catalyst™ Control Center Preferences page contains the following options:

- Hide Tooltips
- Always on Top
- Enable System Tray menu
- Restore factory defaults
- Hide Toolbar Text
- Select a Language
- Select a Skin

Keep Catalyst™ Control Center Always on Top of all open applications on the desktop

- 1** Click **Preferences** button in the Advanced View of the Dashboard.
- 2** Click **Always on Top**.

Note: When a check mark appears next to Always on Top the Catalyst™ Control Center will always appear on top of all opened applications.

Hide or show Tooltips

- 1** Click the **Preferences** button in the Advanced View of the Dashboard.
- 2** Click **Hide Tooltips** in the drop-down menu.

Note: When a check mark appears next to Hide Tooltips, all Tooltips are disabled.

Show or hide text that appears on the toolbar buttons

- 1** Click **Preferences** button in the Advanced View of the Dashboard.
- 2** Click **Hide Toolbar Text** in the drop-down menu.

Note: When a check mark appears next to Hide Toolbar Text the toolbar buttons have button icons only.

Hide the Catalyst™ Control Center Splash Screen

- 1** Click the **Preferences** button in the Advanced View of the Dashboard.
- 2** Click **Hide Splash Screen**.

Note: When a check mark appears next to Hide Splash Screen the Catalyst™ Control Center splash screen will not appear during start up.

Show or hide the Catalyst™ Control Center icon in the Windows® System Tray

- 1 Click **Preferences** button in the Advanced View of the Dashboard.
- 2 Click **Enable System Tray menu** in the drop-down menu.

Note: When a check mark appears next to Enable System Tray Menu the Catalyst™ Control Center icon appears in the Windows® System Tray.

Change Catalyst™ Control Center language

- 1 Click **Preferences** in the Advanced View of the Dashboard.
- 2 Click **Select a Language** in the drop-down menu.
- 3 Choose a language from the list.
- 4 Click **OK**.
- 5 Restart Catalyst™ Control Center.

Change the appearance of the Catalyst™ Control Center

- 1 Click **Preferences** in the Advanced View of the Dashboard.
- 2 Click **Select a skin** in the drop-down menu.
- 3 Choose a skin from the **Skin** drop-down menu.
- 4 Click **OK**.

Restore Catalyst™ Control Center to the factory default settings

- 1 Click **Preferences** in the Advanced View of the Dashboard.
- 2 Select **Restore factory defaults** in the drop-down menu.
- 3 Click **Yes**.

Help

Use the Catalyst™ Control Center Help feature to access the comprehensive online help system, generate a Problem Report, and get the installed version information.

Display help for the aspect or feature you are using

- 1 Click the **Help** button in the Advanced View of the Dashboard.
- 2 Select **Help for this Page**.
 - Optionally, click anywhere in the aspect or feature you are using and press the **F1** key.

Display the online help

- 1 Click the **Help** button in the Advanced View of the Dashboard.
- 2 Click **Help Contents**.

Search for Help

- 1 Click the **Help** button in the Advanced view of the Dashboard.
- 2 Click **Search Help**.
- 3 Enter the word(s) you wish to search for the in search box of the Catalyst™ Control Center Help.
- 4 Click **Go**.

Create a Problem Report

Create a problem report should you experience a problem with your ATI product. This report can be used by an ATI Customer Care agent to help diagnose and resolve the problem.

- 1 Click the **Help** button in the Advanced View of the Dashboard.
- 2 Click **Problem Report Wizard**.
- 3 Follow the Wizard's instructions.

Display the version of the installed Catalyst™ Control Center

- 1 Click the **Help** button in the Dashboard.
- 2 Click **About Catalyst™ Control Center**.

Information Center

The Information Center provides detailed information about the installed graphics hardware and associated software.

- **Graphics Software** includes information such as installed 2D and 3D driver versions, OpenGL® version, and Catalyst™ Control Center version.
- **Graphics Hardware** includes information about each installed graphics card, such as the installed graphics chipset, device ID, bus type, memory size, and BIOS version.



Catalyst™ Control Center: Information Center - Graphics Software (Sample)

To access the Information Center

- Expand **Information Center** in the treeview of Advanced View and select either Graphic Software or Graphic Hardware.

To access system information

- Click the **System Information** button to open the Windows® System Information.

Displays Manager

The Displays Manager aspect is the central location for configuring your display devices and arranging your desktop. Use the Displays Manager aspect to quickly change your display setup, arrange your desktop in a multi-monitor environment, and enable TV Out.

Those new to the Catalyst™ Control Center may use the Basic View wizard to help you configure your display preferences. Experienced users who prefer to manually configure their desktop setting should use the Advanced View.

Note: The Catalyst™ Control Center will open to the Basic View the very first time it is accessed. Experienced users can easily change to Advanced View by selecting **Advanced** and clicking on the **Next** button.



Catalyst™ Control Center: Displays Manager

Displays Manager Advanced View

Use Display Manager Advanced View to set your desktop resolution, the display refresh rate, and arrange your displays.

To change your display configuration requires dragging and/or clicking or right-clicking a display icon

Access Displays Manager

- From the Tree Menu, click **Displays Manager**.

Enable a secondary display device

- 1** From the Tree View pane, click **Displays Manager**.
- 2** Click the number 2 display icon in the right-hand box.

- 3 Click **Yes** to the **Enable this display** dialog.
 - Optionally, right-click the number 2 icon in the right-hand box and click **Enable** in the pop-up menu.

Note: Repeat steps 2 and 3 above for each additional connected device. The number on the display icon will increment as more displays are added.

Enable Extended Mode

If the secondary display is disabled:

- 1 From the Tree View pane, click **Displays Manager**.
- 2 Click the number 2 display icon in the right-hand box.
- 3 Click **Yes** to the **Enable this display?** dialog.
 - Optionally, right-click the number 2 icon in the right-hand box and click **Enable** in the pop-up menu.

If the secondary display is in Clone mode, Vertical or Horizontal Stretch mode:

- 1 Click and drag the display icon from the Clone box to **Additional Displays** box.
- 2 Release the mouse button and click **Remove display**.
 - Optionally, right-click the number 2 icon in the right-hand box and click **Disable** in the pop-up menu.
- 3 Click the number 2 icon in the right-hand box.
- 4 Click **Yes** to the **Enable this display?** dialog.

Enable Clone Mode

If the secondary device is disabled:

- 1 From the Tree View pane, click **Displays Manager**.
- 2 Click and drag the display device icon in **Attached displays currently disabled** to the empty box to the right of the **Main** box.
- 3 Click **Clone Main with [display device]** in the pop-up menu.

If the secondary display is enabled:

- 1 Right click the display device icon in Desktop 2 when in Extended mode, Rightmost when in Stretch Horizontal mode, or Lower in Stretch Vertical mode.

- 2 Click **Clone Main with [display device]**.
- 3 Click **Yes** to the Displays Manager Notification dialog.

Note: Display device can be CRT, DFP, TV, or HDTV.

Enable Stretch Main Vertically

If the secondary display is disabled:

- 1 From the Tree View pane, click **Displays Manager**.
- 2 Click and drag the display device icon from Additional Displays to the empty box to the right of the **Main** box.
- 3 Click **Stretch vertically onto [display device]** in the pop-up menu.
- 4 Click **Yes** in the Displays Manager Notification dialog.

If the secondary display is enabled:

- 1 Right click the display device icon in Desktop 2 when in Extended mode, Rightmost when in Stretch Horizontal mode, or Clone in Clone mode.
- 2 Click **Stretch vertically onto [display device]** in the pop-up menu.
- 3 Click **Yes** in the Displays Manager Notification dialog.

Note: Display device can be CRT, DFP, TV, or HDTV.

Enable Stretch Main Horizontally

If the secondary display is disabled:

- 1 From the Tree View pane, click **Displays Manager**.
- 2 Click and drag the display device icon from Additional Displays to the empty box to the right of the **Main** box.
- 3 Click **Stretch horizontally onto [display device]**.

If the secondary display is enabled:

- 1 Right click the display device icon in Desktop 2 when in Extended mode, or Lower in Stretch Vertical mode, or Clone in Clone Mode.
- 2 Click **Stretch horizontally onto [display device]** in the pop-up menu.
- 3 Click **Yes** to the Displays Manager Notification dialog.

Note: Display device can be CRT, DFP, TV, or HDTV depending on the device connection.

Swap displays in Extended Mode

Use Swap displays to switch your desktops when using multiple monitors.

- 1 From the Tree View pane, click **Displays Manager**.
- 2 Right-click any Desktop icon.
- 3 Select **Swap displays**.
- 4 Click either **Maintain per-display mode settings** or **Swap displays order only**.

Note: **Swap displays order only** swaps displays while maintaining the existing display settings. **Maintain per-display mode settings** swaps displays and display settings.

Swap displays in all other modes

Use **Swap display mappings** to switch your desktops when using multiple monitors.

- 1 From the Tree View pane, click **Displays Manager**.
- 2 Right-click any Desktop icon.
- 3 Select **Swap display mapping**.

Change desktop size

- 1 From the Tree View pane, click **Displays Manager**.
- 2 Select a size from the **Desktop Area** drop-down menu.

Change Color quality

- 1 From the Tree View pane, click **Displays Manager**.
- 2 Select the desired color setting from the **Color Quality** drop-down menu.

Change display refresh rate

- 1 From the Tree View pane, click **Displays Manager**.
- 2 Choose a refresh rate from the **Refresh Rate** drop-down menu.

Note: See your monitor manual for supported refresh rates. Setting a refresh rate higher than recommended by the monitor manufacturer could damage the monitor.

Rotate the desktop

- 1 From the Tree View pane, click **Displays Manager**.
- 2 Right-click the desktop monitor icon to be rotated.
- 3 Select a rotation option from the pop-up menu.
 - Optionally, select a rotation angle from the Rotation drop-down menu.

Detect a newly connected display device

Detect a display device, such as a Digital Flat Panel or TV without having to restart your computer

- 1 From the Tree View pane, click **Displays Manager**.
- 2 Click **Detect Displays** button.

Force changes to a specific display setting

You can force the Catalyst™ Control Center to override the display settings required, or not allowed, by a specific application.

- 1 From the Tree View pane, click **Displays Manager**.
- 2 Click the **Force** button.
- 3 Use the mouse to cursor over to the display feature to force.
- 4 Highlight and then click the required setting.

Apply your settings

- 1 Click **Apply** to save your changes and leave the Catalyst™ Control Center open.
- 2 Click **OK** to save your changes and exit the Catalyst™ Control Center.

Discard your settings

- Click **Discard** to ignore any unsaved changes and restore the settings that existed when the Catalyst™ Control Center was opened or the last time **Apply** was used. Discard does not close the Catalyst™ Control Center.

Clicking **Discard** applies to all features of an aspect, not just the feature in the current view.

Display Options

The Display Options aspect gives you additional control to optimize performance of OpenGL® and Direct 3D® applications.

Use 3D Refresh Rate Override to set a refresh rate of your choice when a full-screen application or game has a default refresh rate that is lower than optimal.

Choose one of the Display Detection Options to prevent screen flicker when detecting a display.

If you are using an older TV or one that has non-standard inputs that may not be automatically detected, use **Force TV Detection**. When a TV is detected using this method, it appears in the Displays Manager aspect and can be configured as required. However, some features that rely on automatic detection, such as extended desktop, will not be supported.



Catalyst™ Control Center: Display Options

Select a refresh rate override

Some applications may have a default refresh rate lower than the optimal setting for your monitor. 3D Refresh Rate Override enables you to set the refresh rate for full-screen applications or games utilizing Microsoft® DirectX® or OpenGL®. You can either set an explicit refresh rate, or make the refresh rate the same as the desktop, or disable this feature allowing the application to set the refresh rate.

- 1 From the Tree View pane, click **Display Options**.
- 2 Select the desired refresh rate from the **3D Refresh Rate Override** drop-down menu.

Determine how display devices are detected

Use this feature to determine how the Catalyst™ Control Center detects display devices connected to your computer. You can set the Catalyst™ Control Center to automatically detect all connected display devices when it is opened or you can manually detect connected devices when they are required.

- 1 From the Tree View pane, click **Display Options**.
- 2 Click either
 - **Detect whenever Catalyst™ Control Center is opened.**or
 - **Use manual detection only (I must click Detect Displays button).**

Note: The Detect Displays button is located on the **Displays Manager** page.

Force TV detection

Use **Force TV detection** if your TV is not automatically detected by the Catalyst™ Control Center and does not appear in the Displays Manager page. This may be the case if your TV has non-standard inputs.

Note: If **Force TV detection** is required to detect your TV some features that rely on automatic detection, such as extended desktop, will not be supported.

- 1 From the Tree View pane, click **Display Options**.
- 2 Click **Force TV detection** enables this feature.

Note: This option is not available if the installed graphics card does not support TV Out.

Set resolution modes for devices with limited resolution capabilities

- 1 From the Tree View pane, click **Display Options**.
- 2 Select one of the following from the **For displays of limited resolution capabilities** drop-down menu:
 - List only those modes supported by all displays
 - Only allow panning on limited-resolution displays
 - List all possible modes (including panning modes).

Apply your settings

- 1 Click **Apply** to save your changes and leave the Catalyst™ Control Center open.
- 2 Click **OK** to save your changes and exit the Catalyst™ Control Center.

Discard your settings

- Click **Discard** to ignore any unsaved changes and restore the settings that existed when the Catalyst™ Control Center was opened or the last time **Apply** was used. Discard does not close the Catalyst™ Control Center.

Clicking **Discard** applies to all features of an aspect, not just the feature in the current view.

Restore default settings

- 1 Move the mouse to the bottom right-hand corner of the window.
- 2 Click **Defaults**.

Note: Clicking **Defaults** will restore the defaults for the current view only. Previous settings are not altered and will be saved once you click **OK**.

Monitor Properties

Use the Monitor Properties aspect to configure your Display Data Channel (DDC) monitor's attributes, to display information about the connected monitor, and adjust the output display's position and size.

Note: Catalyst™ Control Center loads aspects dynamically based on what device is attached to the graphics card. If you have a display device other than a standard monitor or flat panel display (such as an HDTV screen) *Digital Panel Properties* will appear in the Graphics Settings listing instead of *Monitor Properties*.



Catalyst™ Control Center: Monitor Properties (Sample)

Monitor Attributes

Monitor Attributes provides information about the attached monitor. You can also enable Extended Display Identification Data.

Extended Display Identification Data (EDID) uses the information provided by the attached monitor to determine the limits for the resolution and refresh rate.

Enable Extended Display Identification Data (EDID)

- 1 From the Tree View pane, expand **Monitor Properties**.
- 2 Click **Attributes**.
- 3 Select **Use Extended Display Identification Data (EDID) or driver defaults** to place a check mark in the check box.

Apply your settings

- 1 Click **Apply** to save your changes and leave the Catalyst™ Control Center open.
- 2 Click **OK** to save your changes and exit the Catalyst™ Control Center.

Restore default settings

- 1 Move the mouse to the bottom right-hand corner of the window.
- 2 Click **Defaults**.

Note: Clicking **Defaults** will restore the defaults for the current view only. Previous settings are not altered and will be saved once you click **OK**.

Discard your settings

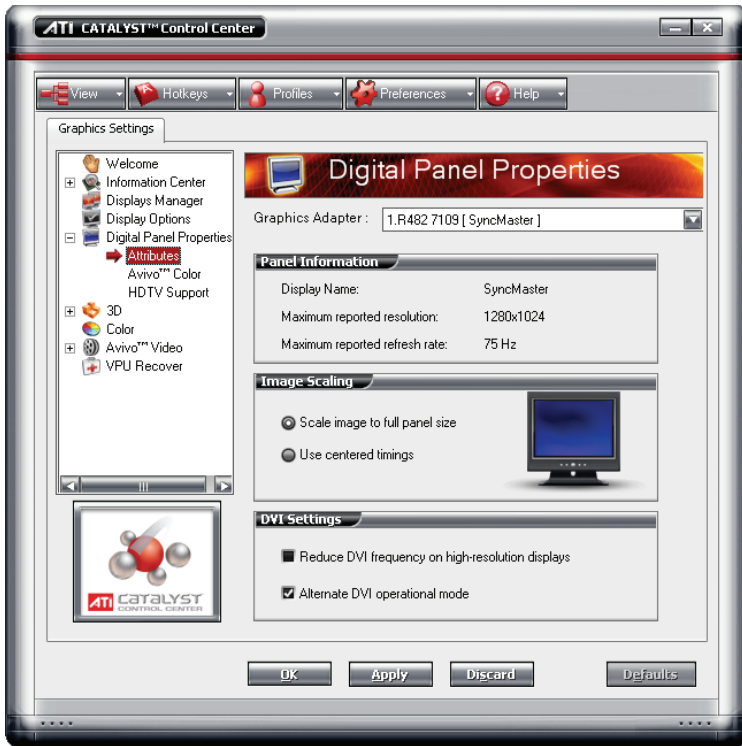
- Click **Discard** to ignore any unsaved changes and restore the settings that existed when the Catalyst™ Control Center was opened or the last time **Apply** was used. Discard does not close the Catalyst™ Control Center.

Clicking **Discard** applies to all features of an aspect, not just the feature in the current view.

Digital Panel Properties

Use the Digital Panel Properties aspect to configure the DVI settings and Image Scaling to improve image quality without impacting performance. Use HDTV Support to add EDID information (containing information about the capabilities of the display) about your connected HDTV display to the **Force** button in Displays Manager.

Catalyst™ Control Center loads aspects dynamically based on what device is attached to the graphics card. If you have standard display device such as a CRT monitor or flat panel display *Monitor Properties* will appear instead of *Digital Panel Properties*. The latter is designed for use with such devices as HDTV displays.



Catalyst™ Control Center: Digital Panel Properties (Sample)

Attributes

Digital Panel Attributes provides information about the connected digital display. Use DVI Settings and Image Scaling to configure your digital display.

Set Image Scaling

- 1 From the Tree View pane, expand **Digital Panel Properties**.
- 2 Click **Attributes**.
- 3 Under Image Scaling, click to enable the desired setting.

Note: Enable **Scale image to full panel size** to fill the digital display.

Note: Use **centered timings** will not resize the desktop to fit the screen, and may result in a centered image with a black border around it.

Adjust the DVI Settings

- 1 From the Tree View pane, expand **Digital Panel Properties**.
- 2 Click **Attributes**.
- 3 Under DVI Settings, click to enable the desired setting.

Note: Reducing DVI frequency on high-resolution displays can resolve either display corruption or the complete absence of any image when a display is set to a high resolution. This should only be enabled if the Digital Panel is experiencing these types of problems.

Note: Alternate DVI operational mode, when enabled, may eliminate display corruption.

Apply your settings

- 1 Click **Apply** to save your changes and leave the Catalyst™ Control Center open.
- 2 Click **OK** to save your changes and exit the Catalyst™ Control Center.

Restore default settings

- 1 Move the mouse to the bottom right-hand corner of the window.
- 2 Click **Defaults**.

Note: Clicking **Defaults** will restore the defaults for the current view only. Previous settings are not altered and will be saved once you click **OK**.

Discard your settings

- Click **Discard** to ignore any unsaved changes and restore the settings that existed when the Catalyst™ Control Center was opened or the last time **Apply** was used. Discard does not close the Catalyst™ Control Center.

Clicking **Discard** applies to all features of an aspect, not just the feature in the current view.

Avivo™ Color

Use Avivo™ Color with ATI graphics cards that supports per-display color settings. Independently set the hue and saturation for each attached and enabled display.

Set Hue

Refers to a specific color within the visible spectrum of light, defined by its dominant wavelength.

- 1 From the Tree View pane, expand **Digital Panel Properties**.
- 2 Click **Avivo™ Color**.
- 3 Adjust the **Hue** control slider to the desired position.

Set Saturation

Saturation refers to the intensity of a color in an image.

- 1 From the Tree View pane, expand **Digital Panel Properties**.
- 2 Click **Avivo™ Color**.
- 3 Click and drag the **Saturation** control slider to the desired position.

Set Color Temperature

Color temperature is a measure that compares a color to the light radiated from an equivalent incandescent black body at a given temperature in degrees Kelvin.

- 1 From the Tree View pane, expand **Digital Panel Properties**.
- 2 Click **Avivo™ Color**.
- 3 Adjust the **Temperature** control slider to the desired position.

Apply your settings

- 1 Click **Apply** to save your changes and leave the Catalyst™ Control Center open.
- 2 Click **OK** to save your changes and exit the Catalyst™ Control Center.

Restore default settings

- 1 Move the mouse to the bottom right-hand corner of the window.
- 2 Click **Defaults**.

Note: Clicking **Defaults** will restore the defaults for the current view only. Previous settings are not altered and will be saved once you click **OK**.

Discard your settings

- Click **Discard** to ignore any unsaved changes and restore the settings that existed when the Catalyst™ Control Center was opened or the last time **Apply** was used. Discard does not close the Catalyst™ Control Center.

Clicking **Discard** applies to all features of an aspect, not just the feature in the current view.

HDTV Support

Use HDTV Support when your CRT or DFP display device supports one or more HDTV modes that are not initially listed in the Displays Manager due to an incomplete EDID (Extended Display Identification Data). Selecting one or both of the HDTV modes adds them to the Force button located in the Displays Manager when the associated display is selected.

If you have both CRT and DFP display devices and want both to support HDTV, you select both the **Add 720p** and **Add 1080i** check boxes in the corresponding HDTV Support pages.

The following formats and refresh rates are fully supported supported:

- NTSC
- PAL
- SECAM



WARNING!: Forcing a display mode that exceeds its EDID limits may result in permanent damage to your display!

Add 720p mode to the Displays Manager Force button

If the **Predefined and Custom HDTV Formats** list box is empty you can add a format.

- 1** From the Tree View pane, expand **Digital Panel Properties**.
- 2** Click **HDTV Support**.
- 3** Click **Add 720p standard format to the Displays Manager**.

i **WARNING!:** This option is only intended for displays that report incomplete or incorrect EDID information. Adding this setting could damage your digital flat panel display. **USE WITH CAUTION!**

Add 1080i mode to the Displays Manager Force button

If the **Predefined and Custom HDTV Formats** list box is empty you can add a format.

- 1** From the Tree View pane, expand **Digital Panel Properties**.
- 2** Click **HDTV Support**.
- 3** Click **Add 1080i standard format to the Displays Manager**.

i **WARNING!:** This option is only intended for displays that report incomplete or incorrect EDID information. Adding this setting could damage your digital flat panel display. **USE WITH CAUTION!**

Add 1080p mode to the Displays Manager Force button

If the **Predefined and Custom HDTV Formats** list box is empty you can add a format.

- 1** From the Tree View pane, expand **Digital Panel Properties**.
- 2** Click **HDTV Support**.
- 3** Click **Add 1080p standard format to the Displays Manager**.

i **WARNING!:** This option is only intended for displays that report incomplete or incorrect EDID information. Adding this setting could damage your digital flat panel display. **USE WITH CAUTION!**

Add an HDTV format

The **Predefined and Custom HDTV Formats** list box should list any standard and optimized HDTV formats supported by the digital panel's EDID. If the list is empty, then no HDTV formats are natively supported.

- 1** From the Tree View pane, expand **Digital Panel Properties**.
- 2** Click **HDTV Support**.
- 3** Select either 720p or 1080i in **HDTV modes supported by this display**.
- 4** Click **Apply formats**.
- 5** Click **Add**.
 - A group of four arrow buttons and a large rectangle is overlaid on the screen. Use these arrows to increase or decrease the width and height of the rectangle until the blue background is just visible.
 - Click **Maintain aspect ratio** to maintain the ratio between width and height while making adjustments.
- 6** Click **Accept**.
- 7** Click **OK** in the HDTV Format warning message box.
- 8** Click **Apply** to add your new HDTV format to the Predefined and Custom HDTV Formats list and the Displays Manager mode list.

Note: The format to be added must be based on one of the standard timing formats (720p or 1080i).

Remove an HDTV Format

- 1** From the Tree View pane, expand **Digital Panel Properties**.
- 2** Click **HDTV Support**.
- 3** Click to highlight the HDTV format to be removed in the Predefined and Custom HDTV Formats list box.
- 4** Click **Remove** button.

Note: The removed format will be removed from the Displays Manager mode list once the computer has been rebooted.

Apply an HDTV Format

- 1** From the Tree View pane, expand **Digital Panel Properties**.
- 2** Click **HDTV Support**.

- 3 Click to highlight the desired an HDTV format in the **Predefined and Custom HDTV Formats** list box.
- 4 Click **Apply Format**.

Apply your settings

- 1 Click **Apply** to save your changes and leave the Catalyst™ Control Center open.
- 2 Click **OK** to save your changes and exit the Catalyst™ Control Center.

Restore default settings

- 1 Move the mouse to the bottom right-hand corner of the window.
- 2 Click **Defaults**.

Note: Clicking **Defaults** will restore the defaults for the current view only. Previous settings are not altered and will be saved once you click **OK**.

Discard your settings

- Click **Discard** to ignore any unsaved changes and restore the settings that existed when the Catalyst™ Control Center was opened or the last time **Apply** was used. Discard does not close the Catalyst™ Control Center.

Clicking **Discard** applies to all features of an aspect, not just the feature in the current view.

3D

Use 3D to adjust features found in 3D applications, such as graphic-design, CAD programs and games.

3D is only available in advanced view. Use 3D to individually configure the following settings:

- Standard Settings
- Anti-aliasing
- Anisotropic Filtering
- Catalyst™ A.I.
- Mipmap Detail Level

- API-Specific



Catalyst™ Control Center: Standard Settings

Standard Settings

The **Standard settings** page provides access to a universal slider control where you can simultaneously adjust all of the standard 3D settings for any type of 3D application. The slider enables you to adjust for overall system performance, overall 3D image quality, or a balance between the two.

This page is useful when you are not aware of which type of 3D settings your application uses, or when you want to use an overall adjustment control that rapidly configures your application.

Adjust your Standard settings

The default selection is **Balanced**.

- 1 From the Tree View, click **3D**.

- 2 Click Standard Settings.
- 3 If necessary, remove the check mark from **Use custom settings**.
- 4 Click and drag the **Control** slider to the left to select High or Optimal Performance, or to the right to select High or Optimal Quality.

Preview your changes

- The preview image automatically displays your adjustments.

Optionally, double-click **3D Preview** for a full-screen view of the adjustments you have made. To exit full-screen Preview, press the **Esc** key.

The Preview can be disabled by clicking the “X” button in the Preview pane. It can also be paused by clicking the “[|]” button in the Preview pane. Clicking the pause button again causes the preview to resume.

Apply your settings

- 1 Click **Apply** to save your changes and leave the Catalyst™ Control Center open.
- 2 Click **OK** to save your changes and exit the Catalyst™ Control Center.

Discard your settings

- Click **Discard** to ignore any unsaved changes and restore the settings that existed when the Catalyst™ Control Center was opened or the last time **Apply** was used. Discard does not close the Catalyst™ Control Center.

Clicking **Discard** applies to all features of an aspect, not just the feature in the current view.

Restore default settings

- 1 Move the mouse to the bottom right-hand corner of the window.
- 2 Click **Defaults**.

Note: Clicking **Defaults** will restore the defaults for the current view only. Previous settings are not altered and will be saved once you click **OK**.

Anti-aliasing

Anti-aliasing is a technique used to smooth out the jagged edges of three-dimensional curved objects or objects with diagonal edges.

Anti-aliasing can be set to favor either an increase in system processing performance or improved image quality:

- Setting for performance is best used when the 3D image is animated and smoothness of motion is the most important consideration.
- Setting for quality is best used when having highly detailed and realistic 3D objects is the primary concern.
- If you are unsure of how to configure anti-aliasing, use the **Let the Application Decide** option. Your display will automatically adjust to the application's requirements.

Set the Anti-Aliasing preference manually

Set the Anti-Aliasing preference manually

- 1 From the Tree View pane, expand **3D**.
- 2 Click **Anti-aliasing**.
- 3 Ensure the application override is disabled. To do so, make sure the **Let the Application Decide** check box is cleared. The slider control will become available.
- 4 Click the **Control** slider and move the selector to your preferred setting:
 - To increase processing performance, move the slider to the left.
 - To increase image quality, move the slider to the right.

Set Temporal anti-aliasing (using SmoothVision™ HD)

Increases image quality without impacting performance by taking fewer image samples but at a faster rate.

- 1 From the Tree View pane, expand **3D**.
- 2 Click **Anti-Aliasing**.
- 3 Uncheck **Let the application decide**.
- 4 Check **Temporal anti-aliasing**.

Set the Transparent Anti-Aliasing

- 1 Expand **3D** in Advanced View.
- 2 Click **Transparent Anti-Aliasing**.
- 3 Ensure the application override is enabled. To do so, make sure the **Let the Application Decide** check box is not selected.
- 4 Click and drag the slider to the desired setting.

Note: The slider control becomes unavailable when **Let the Application Decide** is enabled.

Preview your changes

- The preview image automatically displays your adjustments.

Optionally, double-click **3D Preview** for a full-screen view of the adjustments you have made. To exit full-screen Preview, press the **Esc** key.

The Preview can be disabled by clicking the “X” button in the Preview pane. It can also be paused by clicking the “||” button in the Preview pane. Clicking the pause button again causes the preview to resume.

Apply your settings

- 1 Click **Apply** to save your changes and leave the Catalyst™ Control Center open.
- 2 Click **OK** to save your changes and exit the Catalyst™ Control Center.

Discard your settings

- Click **Discard** to ignore any unsaved changes and restore the settings that existed when the Catalyst™ Control Center was opened or the last time **Apply** was used. Discard does not close the Catalyst™ Control Center.

Clicking **Discard** applies to all features of an aspect, not just the feature in the current view.

Restore default settings

- 1 Move the mouse to the bottom right-hand corner of the window.
- 2 Click **Defaults**.

Note: Clicking **Defaults** will restore the defaults for the current view only. Previous settings are not altered and will be saved once you click **OK**.

Adaptive Anti-aliasing

Adaptive anti-aliasing is a technique that applies a combination of multi-sampling (MSAA) and super-sampling (SSAA) on 3D objects to improve edge smoothness and fine detail. This feature renders 3D objects containing transparencies more realistic, providing exceptional levels of image quality while maintaining performance.

Set the level of adaptive anti-aliasing

- 1 From the Tree View pane, expand **3D**.
- 2 Click **Adaptive Anti-Aliasing**.
- 3 Adjust the **Adaptive Anti-Aliasing** control slider to the desired setting.

Anisotropic Filtering

Anisotropic filtering is a technique that preserves detail on surfaces that have three-dimensional perspective and fade away into the background. It works best when used in conjunction with Mipmapping.

Anisotropic filtering can be set to favor either an increase in system processing performance or improved image quality:

- Setting for performance is best used with applications that display objects with smooth, simple surfaces, such as those seen in CAD applications.
- Setting for quality is best used with applications that display highly detailed scenes, backgrounds, and textured objects, such as those seen in 3D games.
- If you are unsure how to configure anisotropic filtering, use the **Let the Application Decide** option. Your display will automatically adjust to the application's requirements.

Set the Anisotropic Filtering preference manually

- 1 From the Tree View pane, expand **3D**.
- 2 Click **Anisotropic Filtering**.

- 3 Ensure the application override is disabled. To do so, make sure the **Let the Application Decide** check box is cleared. The slider control will become available.
- 4 Click the **Control** slider and move the selector to your preferred setting:
 - To increase processing performance, move the slider to the left.
 - To increase image quality, move the slider to the right.

Set the Anisotropic Filtering to automated preference

- 1 From the Tree View pane, expand **3D**.
- 2 Click **Anisotropic Filtering**.
- 3 Ensure the application override is enabled. To do so, make sure the **Let the Application Decide** check box is selected.

Note: The slider control becomes unavailable.

Set higher quality Anisotropic Filtering

- 1 From the Tree View pane, expand **3D**.
- 2 Click **Anisotropic Filtering**.
- 3 Select **Enable High Quality AF**.

Note: Enabling this feature may impact performance.

Note: This feature is not supported by all ATI graphics cards.

Preview your changes

- The preview image automatically displays your adjustments.

Optionally, double-click **3D Preview** for a full-screen view of the adjustments you have made. To exit full-screen Preview, press the **Esc** key.

The Preview can be disabled by clicking the “X” button in the Preview pane. It can also be paused by clicking the “||” button in the Preview pane. Clicking the pause button again causes the preview to resume.

Apply your settings

- 1 Click **Apply** to save your changes and leave the Catalyst™ Control Center open.
- 2 Click **OK** to save your changes and exit the Catalyst™ Control Center.

Discard your settings

- Click **Discard** to ignore any unsaved changes and restore the settings that existed when the Catalyst™ Control Center was opened or the last time **Apply** was used. Discard does not close the Catalyst™ Control Center.

Clicking **Discard** applies to all features of an aspect, not just the feature in the current view.

Restore default settings

- 1 Move the mouse to the bottom right-hand corner of the window.
- 2 Click **Defaults**.

Note: Clicking **Defaults** will restore the defaults for the current view only. Previous settings are not altered and will be saved once you click **OK**.

Catalyst™ A.I.

Catalyst™ A.I. makes use of ATI's new texture analyzer technology to optimize performance in 3D applications while maintaining or even improving image quality. It analyzes individual textures as they are loaded to determine the best and fastest way to display them.

Use the Standard slider setting to achieve optimal results without impacting performance. Use the Advanced slider setting to achieve even better results with minimal impact on performance.

Catalyst™ A.I. includes application-specific detection for various games and games engines such as Doom 3, the Half Life 2 engine, Unreal Tournament 2003, Unreal Tournament 2004, Splinter Cell, Race Driver, Prince of Persia, and Crazy Taxi 3.

Disable Catalyst™ A.I.

- 1 From the Tree View pane, expand **3D**.
- 2 Select **Catalyst™ A.I.**
- 3 Select **Disable Catalyst™ A.I.** to place a check mark in the check box.

Set Catalyst™ A.I. settings

- 1 From the Tree View pane, expand **3D**.

- 2 Click **Catalyst™ A.I.**
- 3 If necessary, clear the check mark from **Disable Catalyst™ A.I.**
- 4 Click and drag to slider to the desired setting.

Note: Change to Catalyst™ A.I. settings is not shown in the 3D Preview.

Preview your changes

- The preview image automatically displays your adjustments.

Optionally, double-click **3D Preview** for a full-screen view of the adjustments you have made. To exit full-screen Preview, press the **Esc** key.

The Preview can be disabled by clicking the “X” button in the Preview pane. It can also be paused by clicking the “||” button in the Preview pane. Clicking the pause button again causes the preview to resume.

Apply your settings

- 1 Click **Apply** to save your changes and leave the Catalyst™ Control Center open.
- 2 Click **OK** to save your changes and exit the Catalyst™ Control Center.

Discard your settings

- Click **Discard** to ignore any unsaved changes and restore the settings that existed when the Catalyst™ Control Center was opened or the last time **Apply** was used. Discard does not close the Catalyst™ Control Center.

Clicking **Discard** applies to all features of an aspect, not just the feature in the current view.

Restore default settings

- 1 Move the mouse to the bottom right-hand corner of the window.
- 2 Click **Defaults**.

Note: Clicking **Defaults** will restore the defaults for the current view only. Previous settings are not altered and will be saved once you click **OK**.

Mipmap Detail Level

Mipmapping is a texturing technique that preserves the detail on a 3D object's surface as it moves into the background. A series of high- and low-resolution texture maps are stored in memory and selectively used to create the object's surface, depending on what level of detail is needed.

Mipmap detail level can be set to favor either an increase in system processing performance or improved image quality:

- Setting for performance is best used when the 3D image is animated and smoothness of motion is the most important consideration.
- Setting for quality is best used when high surface detail is required, especially if the animated object rotates or moves into the background.

Adjust the Mipmap detail level

Set the Mipmap detail level

- 1 From the Tree View pane, expand **3D**.
- 2 Click **Mipmap Detail Level**.
- 3 Click the **Control** slider and move the selector to the left to increase processing performance, or to the right to increase image quality.

Preview your changes

- The preview image automatically displays your adjustments.

Optionally, double-click **3D Preview** for a full-screen view of the adjustments you have made. To exit full-screen Preview, press the **Esc** key.

The Preview can be disabled by clicking the "X" button in the Preview pane. It can also be paused by clicking the "||" button in the Preview pane. Clicking the pause button again causes the preview to resume.

Apply your settings

- 1 Click **Apply** to save your changes and leave the Catalyst™ Control Center open.
- 2 Click **OK** to save your changes and exit the Catalyst™ Control Center.

Discard your settings

- Click **Discard** to ignore any unsaved changes and restore the settings that existed when the Catalyst™ Control Center was opened or the last time **Apply** was used. Discard does not close the Catalyst™ Control Center.

Clicking **Discard** applies to all features of an aspect, not just the feature in the current view.

Restore default settings

- 1 Move the mouse to the bottom right-hand corner of the window.
- 2 Click **Defaults**.

Note: Clicking **Defaults** will restore the defaults for the current view only. Previous settings are not altered and will be saved once you click **OK**.

All Settings

The **All Settings** page combines all of the principal 3D features onto a single page, without any preview window, allowing for quick access and adjustment. You can change the settings for the following 3D features as you normally would on each feature's own page:

- Anti-aliasing
- Anisotropic filtering
- Catalyst™ A.I.
- Mipmap detail level
- Wait for display refresh
- Adaptive Anti-Aliasing

This page is useful when it is not necessary to preview the adjusted settings because the effect is already known or understood.

Set the Anti-Aliasing preference manually

Set the Anti-Aliasing preference manually

- 1 From the Tree View pane, expand **3D**.
- 2 Click **All Settings**.

- 3 Ensure the application override is disabled. To do so, make sure the **Let the Application Decide** check box is cleared. The slider control will become available.
- 4 Click the **Control** slider and move the selector to your preferred setting:
 - To increase processing performance, move the slider to the left.
 - To increase image quality, move the slider to the right.

Set the Transparent Anti-Aliasing

- 1 Expand **3D** in Advanced View.
- 2 Click **All Settings**.
- 3 Ensure the application override is enabled. To do so, make sure the **Let the Application Decide** check box is selected.
- 4 Click **Transparent Anti-Aliasing**.

Note: The slider control becomes unavailable.

Set the Anisotropic Filtering preference manually

Set the Anisotropic Filtering preference manually

- 1 From the Tree View pane, expand **3D**.
- 2 Click **All Settings**.
- 3 Ensure the application override is disabled. To do so, make sure the **Let the Application Decide** check box is cleared. The slider control will become available.
- 4 Click the **Control** slider and move the selector to your preferred setting:
 - To increase processing performance, move the slider to the left.
 - To increase image quality, move the slider to the right.

Set the Anisotropic Filtering to automated preference

- 1 From the Tree View pane, expand **3D**.
- 2 Click **All Settings**.
- 3 Ensure the application override is enabled. To do so, make sure the **Let the Application Decide** check box is selected.

Note: The slider control becomes unavailable.

Set the Catalyst™ A.I. setting

- 1 From the Tree View pane, expand **3D**.
- 2 Click **All Settings**.
- 3 Scroll to **Catalyst™ A.I.**
- 4 Click the **Control** slider and move the selector to the left to increase processing performance, or to the right to increase image quality.

Set the Mipmap detail level

- 1 From the Tree View pane, expand **3D**.
- 2 Click **All Settings**.
- 3 Scroll to **Mipmap Detail Level**.
- 4 Click the **Control** slider and move the selector to the left to increase processing performance, or to the right to increase image quality.

Set Wait for vertical refresh setting

- 1 From the Tree View pane, expand **3D**.
- 2 Click **All Settings**.
- 3 Scroll to **Wait for vertical refresh**.
- 4 Click the **Control** slider and move the selector to the left to increase processing performance, or to the right to increase image quality.

Select a SmartShader™ effect

- 1 From the Tree View pane, expand **3D**.
- 2 Click **All Settings**.
- 3 Scroll to **SmartShader™ Effects**.
- 4 Select an effect from the drop down-menu.

Note: Effects in the list not supported by Direct 3D® are appended with “(OpenGL® only)”.

Apply your settings

- 1 Click **Apply** to save your changes and leave the Catalyst™ Control Center open.
- 2 Click **OK** to save your changes and exit the Catalyst™ Control Center.

Discard your settings

- Click **Discard** to ignore any unsaved changes and restore the settings that existed when the Catalyst™ Control Center was opened or the last time **Apply** was used. Discard does not close the Catalyst™ Control Center.

Clicking **Discard** applies to all features of an aspect, not just the feature in the current view.

Restore default settings

- 1 Move the mouse to the bottom right-hand corner of the window.
- 2 Click **Defaults**.

Note: Clicking **Defaults** will restore the defaults for the current view only. Previous settings are not altered and will be saved once you click **OK**.

API Specific

Use the **API Specific** dialog to select settings that are exclusively for the Direct 3D® and OpenGL® Application Programmable Interfaces (API). These settings are provided for resolving certain incompatibilities within 3D applications that use one of these APIs.

Use this dialog when you know which type of API (Direct 3D® or OpenGL®) your 3D application uses, and you want to select a particular API-specific feature.

If you are not sure which API your 3D application uses, consult the documentation of your 3D application.

Set Enable geometry instancing

Geometry Instancing allows the GPU to create multiple objects from a single geometric model, rather than passing an entire new model for each item on the screen. This increases the rendering speed of images such as leaves, or grass.

- 1 From the Tree View pane, expand **3D**.
- 2 Click **API Specific**.
- 3 Select **Enable geometry instancing** to place a check mark in the check box.

Set Support DXT texture formats for Direct 3D®

This option enables support for DirectX® compressed texture formats. DXT requires half the amount of memory to draw the same amount of textures. This frees up memory while achieving high quality graphics.

- 1 From the Tree View pane, expand **3D**.
- 2 Click **API Specific**.
- 3 Select **Support DXT texture formats** to place a check mark in the check box.

Set Alternate pixel center for Direct 3D®

This might eliminate problems with certain Direct 3D® games that display vertical and horizontal lines around textures or display text incorrectly. This setting should only be enabled if you are experiencing these issues, as it may cause problems in other games.

- 1 From the Tree View pane, expand **3D**.
- 2 Click **API Specific**.
- 3 Select **Alternate pixel center** to place a check mark in the check box.

Set Triple buffering for OpenGL®

Enabling Triple buffering will improve the frame rate of games when vertical sync is enabled, only if the frame rate is less than the vertical sync refresh rate. In low memory situations, enabling Triple buffering may decrease application performance as there will be less frame buffer memory available for texture and geometry data. If there is insufficient memory available to support Triple buffering, it will automatically be disabled.

- 1 From the Tree View pane, expand **3D**.
- 2 Click **API Specific**.
- 3 Select **Triple buffering** to place a check mark in the check box.

Set Force 24-bit Z-buffer depth for OpenGL®

Enables you to explicitly set the Z-buffer depth. Most applications will work best with the **Disabled** setting.

- 1 From the Tree View pane, expand **3D**.
- 2 Click **API Specific**.

- 3 Select **Force 24-bit Z-buffer depth** to place a check mark in the check box.

Apply your settings

- 1 Click **Apply** to save your changes and leave the Catalyst™ Control Center open.
- 2 Click **OK** to save your changes and exit the Catalyst™ Control Center.

Restore default settings

- 1 Move the mouse to the bottom right-hand corner of the window.
- 2 Click **Defaults**.

Note: Clicking **Defaults** will restore the defaults for the current view only. Previous settings are not altered and will be saved once you click **OK**.

Discard your settings

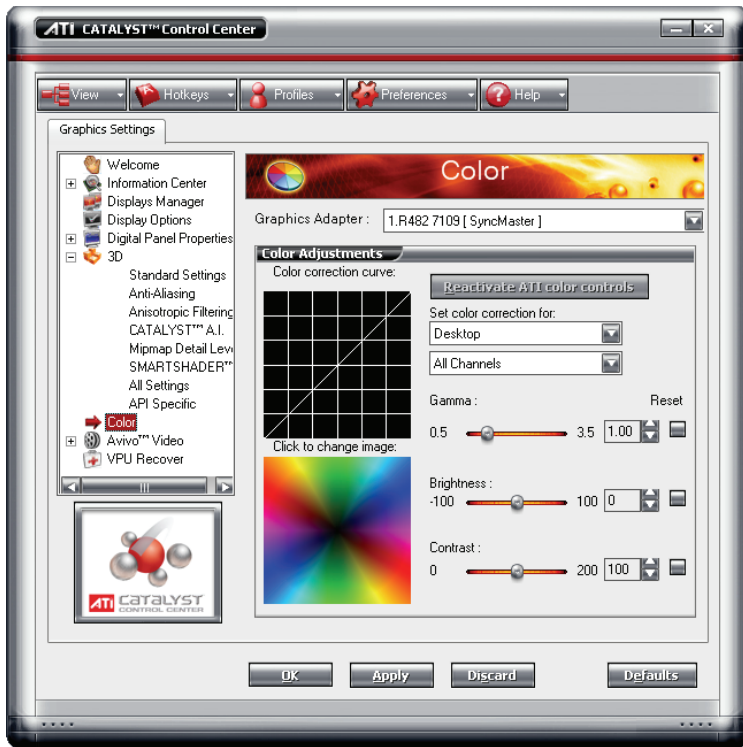
- Click **Discard** to ignore any unsaved changes and restore the settings that existed when the Catalyst™ Control Center was opened or the last time **Apply** was used. Discard does not close the Catalyst™ Control Center.

Clicking **Discard** applies to all features of an aspect, not just the feature in the current view.

Color

Use the Color page to adjust the color properties of your Desktop and Full-screen 3D applications and games. Use the Color Correction Images to preview the changes before applying them.

The Color curve is a graphical representation of all the values of gamma, brightness, or contrast. The color curve line will reflect any changes made to these elements.



Catalyst™ Control Center: Color

Color Desktop

Adjust the overall richness of color by using the **Gamma** control. To adjust the overall brightness use the **Brightness** control, and the overall contrast use the **Contrast** control.

Display Color page to configure Desktop

- 1 From the Tree View pane, click **Color**.
- 2 Select **Desktop** from the **Set color correction for** drop-down menu.

Set Gamma, Brightness, and Contrast simultaneously

- 1 From the Tree View pane, click **Color**.
- 2 Select Desktop in **Set color correction for**.
- 3 Select **All Channels**.

- 4 Click and drag either the Gamma, Brightness, or Contrast to adjust all these settings simultaneously.

Revert to last known All Channel settings

- 1 From the Tree View pane, click **Color**.
- 2 Select Desktop in **Set color correction for**.
- 3 Select **All Channels**.

Reactivate your color settings

Your desktop may retain the color settings when exiting an application or game. Should this be the case the gamma, brightness, and contrast sliders are disabled. The **Reactivate ATI color controls** button resets the sliders to their previous settings.

- 1 From the Tree View pane, click **Color**.
- 2 Click **Reactivate ATI color controls** button.

Set Color Gamma

- 1 From the Tree View pane, click **Color**.
- 2 Click and drag the Control slider to your preferred setting:
 - To increase the Gamma, move the slider to the right.
 - To decrease the Gamma, move the slider to the left.
 - Optionally, click the up and down arrow buttons of the adjustment box.

Click the **Reset** button to restore the previous settings.

Note: The preview image automatically displays the adjustments you have made.

Set Color Brightness

- 1 From the Tree View pane, click **Color**.
- 2 Click and drag the **Control** slider to your preferred setting:
 - To increase the Brightness, move the slider to the right.
 - To decrease the Brightness, move the slider to the left.
 - Optionally, click the up and down arrow buttons in the adjustment box.

Click the **Reset** button to restore the previous settings.

Note: The preview image automatically displays the adjustment you have made.

Set Color Contrast

- 1 From the Tree View pane, click **Color**.
- 2 Click and drag the **Control** slider to your preferred setting:
 - To increase the Contrast, move the slider to the right.
 - To decrease the Contrast, move the slider to the left.
 - Optionally, click the up and down arrow buttons in the adjustment box.

Click the **Reset** button to restore the previous settings.

Note: The preview image automatically displays the adjustment you have made.

Apply your settings

- 1 Click **Apply** to save your changes and leave the Catalyst™ Control Center open.
- 2 Click **OK** to save your changes and exit the Catalyst™ Control Center.

Restore default settings

- 1 Move the mouse to the bottom right-hand corner of the window.
- 2 Click **Defaults**.

Note: Clicking **Defaults** will restore the defaults for the current view only. Previous settings are not altered and will be saved once you click **OK**.

Discard your settings

- Click **Discard** to ignore any unsaved changes and restore the settings that existed when the Catalyst™ Control Center was opened or the last time **Apply** was used. Discard does not close the Catalyst™ Control Center.

Clicking **Discard** applies to all features of an aspect, not just the feature in the current view.

Color - FullScreen 3D

Adjusting the **Gamma** control alters the overall richness of color. Adjusting the **Brightness** control alters the overall brightness. Adjusting the **Contrast** control alters the overall contrast.

- Adjusting the Gamma can be useful for CAD applications that rely heavily on color coding or applications that require realistic color.
- Adjusting the Brightness and Contrast can be useful for 3D games that display dimly lit scenes.

Display Color page to configure FullScreen 3D

- 1 From the Tree View pane, click **Color**.
- 2 Select **FullScreen 3D** from the Set color correction for: drop-down menu.

Set Color Gamma

- 1 From the Tree View pane, click **Color**.
- 2 Click and drag the Control slider to your preferred setting:
 - To increase the Gamma, move the slider to the right.
 - To decrease the Gamma, move the slider to the left.
 - Optionally, click the up and down arrow buttons of the adjustment box.

Click the **Reset** button to restore the previous settings.

Note: The preview image automatically displays the adjustments you have made.

Set Color Contrast

- 1 From the Tree View pane, click **Color**.
- 2 Click and drag the **Control** slider to your preferred setting:
 - To increase the Contrast, move the slider to the right.
 - To decrease the Contrast, move the slider to the left.
 - Optionally, click the up and down arrow buttons in the adjustment box.

Click the **Reset** button to restore the previous settings.

Note: The preview image automatically displays the adjustment you have made.

Apply your settings

- 1 Click **Apply** to save your changes and leave the Catalyst™ Control Center open.
- 2 Click **OK** to save your changes and exit the Catalyst™ Control Center.

Restore default settings

- 1 Move the mouse to the bottom right-hand corner of the window.
- 2 Click **Defaults**.

Note: Clicking **Defaults** will restore the defaults for the current view only. Previous settings are not altered and will be saved once you click **OK**.

Discard your settings

- Click **Discard** to ignore any unsaved changes and restore the settings that existed when the Catalyst™ Control Center was opened or the last time **Apply** was used. Discard does not close the Catalyst™ Control Center.

Clicking **Discard** applies to all features of an aspect, not just the feature in the current view.

Avivo™ Video for Radeon® X1000 Series

Use the Avivo™ Video aspect to apply standard video settings with a Wizard or selecting a video preset. Use Adjustments to configure gamma, brightness, and hue. Use Theater Mode to set aspect ratio and overlay display mode. Preview your changes before applying them.



Catalyst™ Control Center: Avivo Video

Standard Settings

To quickly adjust your video settings choose one of the video presets or use the Video Wizard to configure your display devices.

Start the Video Wizard

- 1 From the Tree View pane, expand **Video**.
- 2 Click **Standard Settings**.
- 3 Click the **Wizard** button.

Select a Video Preset

- 1 From the Tree View pane, expand **Video**.
- 2 Click **Standard Settings**.

- 3 Select a preset from the **Video Presets** menu.

Apply your settings

- 1 Click **Apply** to save your changes and leave the Catalyst™ Control Center open.
- 2 Click **OK** to save your changes and exit the Catalyst™ Control Center.

Restore default settings

- 1 Move the mouse to the bottom right-hand corner of the window.
- 2 Click **Defaults**.

Note: Clicking **Defaults** will restore the defaults for the current view only. Previous settings are not altered and will be saved once you click **OK**.

Discard your settings

- Click **Discard** to ignore any unsaved changes and restore the settings that existed when the Catalyst™ Control Center was opened or the last time **Apply** was used. Discard does not close the Catalyst™ Control Center.

Clicking **Discard** applies to all features of an aspect, not just the feature in the current view.

Adjustments

Use Avivo™ Video Adjustments to manually set Gamma, Brightness, Contrast, Saturation, and Hue.

Let the application control the video adjustments

- 1 From the Tree View pane, expand **Video**.
- 2 Click **Adjustments**.
- 3 Click **Let the application control the video adjustments**.

Set Gamma

Gamma controls the overall intensity of a video image.

- 1 From the Tree View pane, expand **Video**.
- 2 Click **Adjustments**.

- 3 Click and drag the **Gamma** control slider to the desired position.

Set Contrast

Contrast is the difference between the brightest and darkest parts of an image.

- 1 From the Tree View pane, expand **Video**.
- 2 Click **Adjustments**.
- 3 Click and drag the **Contrast** control slider to the desired position.

Set Brightness

Brightness is the overall intensity, or luminosity of an image.

- 1 From the Tree View pane, expand **Video**.
- 2 Click **Adjustments**.
- 3 Click and drag the **Brightness** control slider to the desired position.

Set Saturation

Saturation is the measure of amount of color in an image.

- 1 From the Tree View pane, expand **Video**.
- 2 Click **Adjustments**.
- 3 Click and drag the **Saturation** control slider to the desired position.

Set Hue

Hue defines the tint of the red, green, and blue components of an image.

- 1 From the Tree View pane, expand **Video**.
- 2 Click **Adjustments**.
- 3 Click and drag the **Hue** control slider to the desired position.

Apply your settings

- 1 Click **Apply** to save your changes and leave the Catalyst™ Control Center open.
- 2 Click **OK** to save your changes and exit the Catalyst™ Control Center.

Restore default settings

- 1 Move the mouse to the bottom right-hand corner of the window.
- 2 Click **Defaults**.

Note: Clicking **Defaults** will restore the defaults for the current view only. Previous settings are not altered and will be saved once you click **OK**.

Discard your settings

- Click **Discard** to ignore any unsaved changes and restore the settings that existed when the Catalyst™ Control Center was opened or the last time **Apply** was used. Discard does not close the Catalyst™ Control Center.

Clicking **Discard** applies to all features of an aspect, not just the feature in the current view.

Video Overlay Theater Mode

Use Theater Mode to change the way you view streaming video.

Select an Overlay Display when in Clone Mode

- 1 From the Tree View pane, expand **Video**.
- 2 Click **Theater Mode**.
- 3 Under **Overlay Display Mode/Clone mode shows overlay:** select in **Theater Mode (full-screen)** if you want the video content to be displayed on both displays. The Secondary display displays the same content as the primary.
 - Optionally, select **in Standard Mode** if you want the video content to be displayed on the primary display only.
 - Optionally, **the same on all displays** if you want the contents displayed the same on all display devices.

Select an Overlay Display when in Extended Mode

- 1 From the Tree View pane, expand **Video**.
- 2 Click **Theater Mode**.
- 3 Under Extended desktop shows overlay, select **in Standard Mode** if you want the video content to be displayed on the primary display only.

- Optionally, select in **Theater Mode (full-screen)** if you want the video content to be displayed on both displays. The Secondary display displays the same content as the primary.

Set video aspect ratio

- 1 From the Tree View pane, expand **Video**.
- 2 Click **Theater Mode**.
- 3 Select **Match the source video** to maintain the aspect ratio of original video.
 - Optionally, select **Scale to full-screen** to have the source video fill the display area.

Apply your settings

- 1 Click **Apply** to save your changes and leave the Catalyst™ Control Center open.
- 2 Click **OK** to save your changes and exit the Catalyst™ Control Center.

Restore default settings

- 1 Move the mouse to the bottom right-hand corner of the window.
- 2 Click **Defaults**.

Note: Clicking **Defaults** will restore the defaults for the current view only. Previous settings are not altered and will be saved once you click **OK**.

Discard your settings

- Click **Discard** to ignore any unsaved changes and restore the settings that existed when the Catalyst™ Control Center was opened or the last time **Apply** was used. Discard does not close the Catalyst™ Control Center.

Clicking **Discard** applies to all features of an aspect, not just the feature in the current view.

Deinterlacing

Deinterlacing creates a sharp image from the two video fields of interlaced video. Select one of five options for deinterlacing video for better viewing.

- Auto Detect lets the multimedia driver to select the best deinterlacing scheme for different video sources and sizes.
- Bob deinterlacing, when selected, removes every other line of the video image and is recommended for motion video.
- Adaptive deinterlacing, when selected, reacts to the amount of motion in the video and apply a media filter on a motion block and apply weave on the remaining blocks.
- Motion Adaptive deinterlacing, when selected, applies the advanced motion detection to deinterlace the video.
- Weave does not apply any deinterlacing.

Select a deinterlacing mode

- 1 From the Tree View pane, expand **Video**.
- 2 Click **Deinterlacing**.
- 3 Select a deinterlacing mode for the drop-down menu.

Apply your settings

- 1 Click **Apply** to save your changes and leave the Catalyst™ Control Center open.
- 2 Click **OK** to save your changes and exit the Catalyst™ Control Center.

Restore default settings

- 1 Move the mouse to the bottom right-hand corner of the window.
- 2 Click **Defaults**.

Note: Clicking **Defaults** will restore the defaults for the current view only. Previous settings are not altered and will be saved once you click **OK**.

Discard your settings

- Click **Discard** to ignore any unsaved changes and restore the settings that existed when the Catalyst™ Control Center was opened or the last time **Apply** was used. Discard does not close the Catalyst™ Control Center.

Clicking **Discard** applies to all features of an aspect, not just the feature in the current view.

All Settings

The All Settings page combines all of the principal Video features onto a single page, without any preview window, allowing quick access and adjustment.

This page is useful when it is not necessary to preview the adjusted settings because the effect is already known or understood.

Let the application control video adjustments

Enable this feature to let the application determine the Video Adjustments settings.

- 1** From the Tree View pane, expand **Video**.
- 2** Click **All Settings**.
- 3** Scroll to **Video Adjustments**.
- 4** Click to place a checkmark next to **Let the application control the video adjustments** to enable it.

Adjust Gamma

Gamma controls the overall intensity of a video image.

- 1** From the Tree View pane, expand **Video**.
- 2** Click **All Settings**.
- 3** Scroll to **Video Adjustments**.
- 4** Adjust the **Gamma** control slider to the desired position.

Adjust Brightness

Brightness is the overall intensity, or luminosity of an image.

- 1** From the Tree View pane, expand **Video**.
- 2** Click **All Settings**.
- 3** Scroll to **Video Adjustments**.
- 4** Adjust the **Brightness** control slider to the desired position.

Adjust Contrast

Contrast is the difference between the brightest and darkest parts of an image.

- 1** From the Tree View pane, expand **Video**.

- 2 Click **All Settings**.
- 3 Scroll to **Video Adjustments**.
- 4 Adjust the **Contrast** control slider to the desired position.

Adjust Saturation

Saturation is the measure of amount of color in an image.

- 1 From the Tree View pane, expand **Video**.
- 2 Click **All Settings**.
- 3 Scroll to **Video Adjustments**.
- 4 Adjust the **Saturation** control slider to the desired position.

Adjust Hue

Hue defines the tint of the red, green, and blue components of an image.

- 1 From the Tree View pane, expand **Video**.
- 2 Click **All Settings**.
- 3 Scroll to **Video Adjustments**.
- 4 Adjust the **Hue** control slider to the desired position.

Select an Overlay Display when in Clone Mode

- 1 From the Tree View pane, expand **Video**.
- 2 Click **All Settings**.
- 3 Scroll to **Overlay Display Mode**.
- 4 Under **Clone mode shows overlay**: select **in Theater Mode (full-screen)** if you want the video content to be displayed on both displays. The Secondary display displays the same content as the primary.
 - Optionally, select **in Standard Mode** if you want the video content to be displayed on the primary display only.
 - Optionally, **Same on all displays** if you want the contents displayed the same on all display devices.

Select an Overlay Display when in Extended Mode

- 1 From the Tree View pane, expand **Video**.
- 2 Click **All Settings**.

- 3 Scroll to **Overlay Display Mode**.
- 4 Under Extended desktop shows overlay: select **in Standard Mode** if you want the video content to be displayed on the primary display only.
 - Optionally, select **in Theater Mode (full-screen)** if you want the video content to be displayed on both displays. The Secondary display displays the same content as the primary.

Set video aspect ratio

- 1 From the Tree View pane, expand **Video**.
- 2 Click **All Settings**.
- 3 Scroll to **Theater Mode Settings**.
- 4 Select **Match the source video** to maintain the aspect ratio of original video.
 - Optionally, select **Scale to full-screen** to have the source video fill the display area.

Select a deinterlacing mode

- 1 From the Tree View pane, expand **Video**.
- 2 Click **All Settings**.
- 3 Scroll to **Deinterlacing**.
- 4 Select a deinterlacing mode for the drop down menu.

Enable Windows® Media Settings

- 1 From the Tree View pane, expand **Video**.
- 2 Click **All Settings**.
- 3 Scroll to **Windows® Media Settings**.
- 4 Click **Windows® Media Video Acceleration**.

Apply your settings

- 1 Click **Apply** to save your changes and leave the Catalyst™ Control Center open.
- 2 Click **OK** to save your changes and exit the Catalyst™ Control Center.

Restore default settings

- 1 Move the mouse to the bottom right-hand corner of the window.
- 2 Click **Defaults**.

Note: Clicking **Defaults** will restore the defaults for the current view only. Previous settings are not altered and will be saved once you click **OK**.

Discard your settings

- Click **Discard** to ignore any unsaved changes and restore the settings that existed when the Catalyst™ Control Center was opened or the last time **Apply** was used. Discard does not close the Catalyst™ Control Center.

Clicking **Discard** applies to all features of an aspect, not just the feature in the current view.

VPU Recover

VPU Recover enables the ATI display driver to detect when the graphics processor stops responding to display-driver instructions. When this happens, the display driver attempts to reset the graphics hardware. In most cases, VPU Recover will be able to reset the graphics processor without requiring a system restart.

Should the computer be unable to recover from a crash, VPU Recover will switch the computer to software rendering mode, allowing you to save any work in progress before restarting the computer.



Catalyst™ Control Center: VPU Recover

Enable VPU Recover

- 1 From the Tree View pane, click **VPU Recover**.
- 2 Click **Enable VPU Recover**.

Prepare an error report

You can choose to send an error report to ATI if VPU Recover is activated. This report assists ATI in determining the cause of the problem. This information is then used to develop more stable graphic drivers.

- 1 From the Tree View pane, click **VPU Recover**.
- 2 Click **Prepare an error report if VPU Recover is activated for submission to ATI Technologies**.
- 3 Click **Send Error Report** button in the error report email.

An email is created containing the error report for submission to ATI Technologies.

Note: No personal information is included in the error report.

Apply your settings

- 1 Click **Apply** to save your changes and leave the Catalyst™ Control Center open.
- 2 Click **OK** to save your changes and exit the Catalyst™ Control Center.

Restore default settings

- 1 Move the mouse to the bottom right-hand corner of the window.
- 2 Click **Defaults**.

Note: Clicking **Defaults** will restore the defaults for the current view only. Previous settings are not altered and will be saved once you click **OK**.

Discard your settings

- Click **Discard** to ignore any unsaved changes and restore the settings that existed when the Catalyst™ Control Center was opened or the last time **Apply** was used. Discard does not close the Catalyst™ Control Center.

Clicking **Discard** applies to all features of an aspect, not just the feature in the current view.

Set the Transparent Anti-Aliasing

- 1 Expand **3D** in Advanced View.
- 2 Click **Transparent Anti-Aliasing**.
- 3 Ensure the application override is enabled. To do so, make sure the **Let the Application Decide** check box is not selected.
- 4 Click and drag the slider to the desired setting.

Note: The slider control becomes unavailable when **Let the Application Decide** is enabled.

Set Catalyst™ A.I. settings

- 1 From the Tree View pane, expand **3D**.

- 2 Click **Catalyst™** A.I.
- 3 If necessary, clear the check mark from **Disable Catalyst™** A.I.
- 4 Click and drag to slider to the desired setting.

Note: Change to Catalyst™ A.I. settings is not shown in the 3D Preview.

Apply your settings

- 1 Click **Apply** to save your changes and leave the Catalyst™ Control Center open.
- 2 Click **OK** to save your changes and exit the Catalyst™ Control Center.

Discard your settings

- Click **Discard** to ignore any unsaved changes and restore the settings that existed when the Catalyst™ Control Center was opened or the last time **Apply** was used. Discard does not close the Catalyst™ Control Center.

Clicking **Discard** applies to all features of an aspect, not just the feature in the current view.

CHAPTER 6:

Using TV Display and Capture Features

This chapter describes how to use the TV display and video capture features of your Radeon® X1550 Series card.

Using TV Out

Your Radeon® X1550 Series has TV Out capability.

Viewing Your PC's Display on a TV

You can attach your Radeon® X1550 Series to a TV and a monitor at the same time.

Note: A TV can only be connected to one DVI connector.



IMPORTANT INFORMATION for European Customers

Some PC monitors in Europe **cannot** be used simultaneously with TV display. When you enable TV display in Europe, the refresh rate for the monitor and TV is set to 50 Hz. Some monitors may not support this refresh rate **and could be damaged**.

- Please check the documentation supplied with your monitor to see if your monitor supports a refresh rate of 50 Hz.
- If your monitor does not support 50 Hz (or if you are not sure), turn off your monitor before turning on your PC when using your TV as a display.

TV display is ideal for giving presentations and watching movies, or playing games on a screen larger than a typical monitor. The following tips will help you get the most out of your TV Out feature.

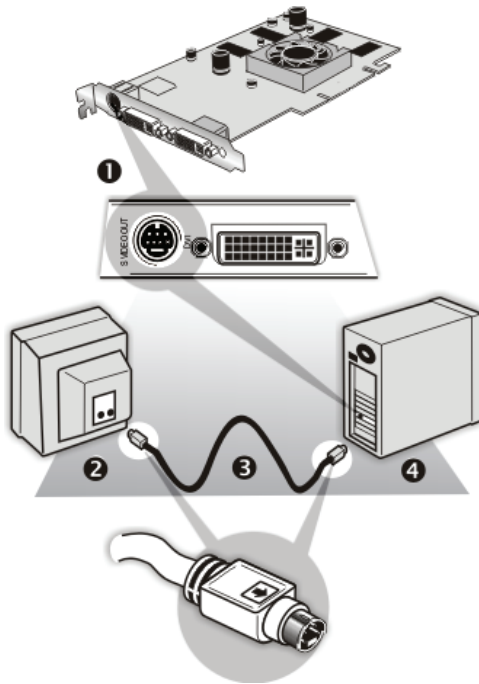
Connecting to a TV

To connect your Radeon® X1550 Series card to a TV, use an S-Video cable.

To connect S-Video Out

- 1 Power off your computer and your TV.

- 2 Determine if your TV supports either a S-Video or Composite video connection.
- 3 Looking at the back of your PC, locate your S-Video Out. Using an S-Video cable, attach one end of the cable to your graphics card and the other to your TV. Refer to the illustration.
- 4 Power on your TV first, then your computer.



Connecting Your S-Video Out to a TV or VCR	
1	S-Video Connection on graphics card
2	TV
3	S-Video Cable
4	Computer

Using a Monitor vs. Using TV Display

Using your TV for your computer’s display can be useful, however, the display on your monitor may change or looked squashed. This distortion

occurs because the display adjusts to fit the dimensions of your TV. To correct the monitor's display, use the monitor's control buttons to adjust its display size and position.

Some single-frequency monitors may not work with TV display enabled. If you experience problems when TV display is enabled, disable TV display to restore your monitor's display.

Viewing Text on a TV

A TV is designed primarily to show moving images. The large dot pitch of a TV will yield poor quality static images. The small text sizes commonly used for PC desktops can appear blurred or unclear on a TV. You can compensate for this degradation by using larger fonts.

Using a TV as the Only Display

If you plan to move your computer to a place where you are using TV display only, make sure that you have the TV display feature enabled prior to removing the monitor.

The maximum display resolution for TV is 1024 x 768. Choosing a resolution higher than this will cause the TV display to disappear if it is the only display device.

Using Games and Applications

Some older games and applications may program your Radeon® X1550 Series directly to run under a specific display mode. This may cause your TV display to turn off automatically or become scrambled (your PC monitor or portable LCD display will not be affected). Your TV display will be restored once you exit the game or if you restart your computer.

Connecting to HDTV

View computer output directly on your High Definition Television (HDTV) or other component input device. Provide a big-screen experience for your computer that is ideal for playing games, giving presentations, watching movies, and browsing the Internet.

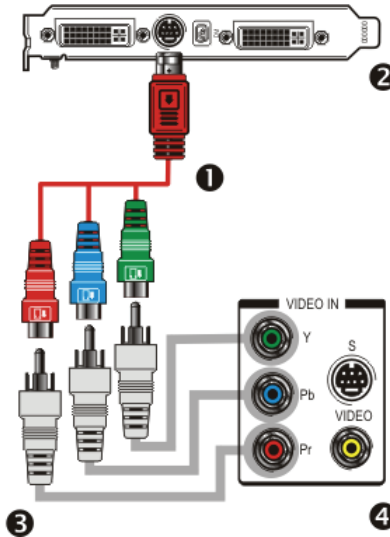
HDTV uses YPbPr connectors to receive input. YPbPr stands for the following:

- Y = Green
- Pb = Blue
- Pr = Red

The HDTV Component Video Adapter can be used in place of the standard A/V Output cable to connect to an HDTV or other component input device, using component video cables.



You must have a monitor attached to your computer before installing the ATI HDTV. For proper operation of your ATI Component Video Adapter, ATI display drivers must be correctly installed.



ATI HDTV Cable

- | | |
|---|--|
| 1 | ATI HDTV Video Output Cable |
| 2 | Backplate of the ATI Graphics Card |
| 3 | Male RCA Patch Cables – available from consumer electronics dealer |
| 4 | Typical HDTV Video Input Connections |
-

Note: Input and output cables lengths should not exceed 50 feet (15m).

Installing your ATI HDTV video cable

- 1 Turn on your component input device, and set it to YPbPr input.

Note: See your HDTV or component input device manual for configuration information specific to your device.

- 2 Turn on your computer.

Note: Your TV will not display anything until Windows starts. This can take several minutes.

Using Your ATI HDTV Video Cable

Use the HDTV Video Cable to watch DVD movies and play video games on your High Definition Television.



Copy-protected DVDs restrict playback to 480i and 480p modes.

For maximum performance when you watch DVD movies or play computer games on your HDTV, you should find the mode and screen resolution that provide the best result on your TV, and use those settings exclusively.

CHAPTER 7:

CrossFire™ FAQ

The following are frequently-asked questions about CrossFire™.

For the latest information, please consult the CrossFire™ Web site at:

ati.com/crossfire

1 What combination of products are required to build a working CrossFire™ system?

Two components are required:

- Two CrossFire™ Edition graphics cards from the same brand-family.
- A CrossFire™ Ready motherboard with two PCIe™ X16 slots.

More information on the requirements for each of these components can be found within this FAQ.

2 What motherboards support CrossFire™?

The optimal configuration for a CrossFire™ system is one based on a Radeon® Xpress 200 CrossFire™ Edition motherboard.

Motherboards from other manufactures will be certified as CrossFire™ Ready when they become available.

3 Are there specific CMOS motherboard settings for CrossFire™?

On some motherboards, the CMOS may be set by default to support only a single PCI Express® X16 slot. Ensure that both PCIe™ X16 slots are enabled in the CMOS.

4 Are there any software settings required for CrossFire™ to work?

Yes, there is a setting in the Catalyst™ Control Center that needs to be enabled for CrossFire™ to operate. When all of the hardware and software has been properly set up and installed, the following CrossFire™ aspect appears in Catalyst™ Control Center:



To access and enable CrossFire™ in Catalyst™ Control Center, do the following:

- In Advanced View, click **CrossFire™** and check the **Enable CrossFire™** box.

When CrossFire™ is successfully enabled, all display devices except the one used by CrossFire™ will be disabled. Multiple monitors/ displays that are disabled when CrossFire™ is enabled reappear after CrossFire™ is disabled.

5 How are the graphics cards connected on a CrossFire™ system?

The two cards are connection through the motherboard which is used to convey information from one graphics card to the other graphics card and transmit the combined signal to a display device. No bridging cable is required.

6 Which games/applications work with CrossFire™?

CrossFire™ works with all 3D games and applications. If Catalyst™ A.I. is enabled in the Catalyst™ Control Center software, the optimal rendering mode available for the application is automatically selected.

7 Is a driver profile required to make CrossFire™ work?

No. CrossFire™ is enabled by default for all 3D games and applications.

8 What happens if you pair a 16-pipeline CrossFire™ Edition graphics card with a CrossFire™ Ready 12-pipeline graphics card?

In this scenario both graphics cards will operate as 12-pipeline graphics cards while in CrossFire™ mode.

9 What happens if two CrossFire™ graphics cards have different clock speeds?

Both cards will continue to operate at their individual clock speeds; neither card is “stepped down”. The compositing engine on the CrossFire™ card merges the resulting images independent of the clock speed on either graphics card.

10 What are the rendering modes, and what are their specific advantages?

The following dynamic rendering modes are available:

- **SuperTiling** - CrossFire™ renders alternate 32x32 pixel squares in a fine-grained checkerboard pattern. This configuration increases image-rendering quality, as each card processes half of the complex 3D objects in the pixel squares.
- **Scissor Mode** - each graphics card renders up to half of the display, either vertically or horizontally depending on the game or application.
- **Alternate Frame Rendering** - the two graphics cards are used to render alternate frames of the display. This configuration increases the detail of the 3D objects each card can render, as each card handles half of the total number of frames.
- **Super Anti-aliasing** - improves image quality by combining the results of full-screen anti-aliasing across two graphics cards in a CrossFire™ configuration. The two graphics cards work on different anti-aliasing patterns within each frame.

The first three features are performance features settings automatically selected by ATI's Catalyst™ Control Center. Super Anti-aliasing is a display quality mode selectable using Catalyst™ Control Center.

11 On what basis are different rendering modes chosen?

When Catalyst™ A.I. is enabled in Catalyst™ Control Center, it determines the optimal rendering mode to use, based on the application or game being used. The default rendering mode is dependant on both the hardware configuration and the application being run; typically it will be either Scissor or SuperTiling mode. If Catalyst™ A.I. is not enabled, any Direct 3D® applications that are running on a system based on graphics cards with 16-pipeline graphics processors will use SuperTiling Mode.

12 What type of performance improvement is expected?

Performance enhancements experienced on a CrossFire™ system depend on the application or game being used. Performance improvements can be increased up to 100%, and the latest graphics-intensive programs will generally see over 80% performance improvement at high resolutions and image-quality modes.

13 How many independent displays can be connected to a CrossFire™ system?

While CrossFire™ is designed for optimal use on a single display, it is possible to drive multiple monitors using a CrossFire™ system when CrossFire™ is not enabled. On a standard CrossFire™ system, it is possible to drive four separate sets of monitors and still have one of those displays as a dedicated CrossFire™ display. If the motherboard contains an integrated video connection and SurroundView™ is enabled, more displays can be added.

Additional troubleshooting tips are covered in the “Reference” chapter.

CHAPTER 8:

Reference

This chapter provides information on troubleshooting, where to get additional accessories, how to register your product, plus warranty and compliance information.

Troubleshooting

The following troubleshooting tips may help if you experience problems. ATI's documentation contains helpful installation/configuration tips and other valuable feature information. Please contact your dealer for more advanced troubleshooting information.

General Troubleshooting	
Problem	Possible Solution
Computer Does Not Boot-Up Properly	<ul style="list-style-type: none">• Verify that the installation instructions were properly followed.• Check that the card is properly installed in your system and connected to your monitor.• If you have problems during start-up, restart your computer in Safe Mode. While starting Windows® XP, press and hold F8 until you see the Windows® Advanced Options Menu. Use the arrow keys to select Safe Mode, and press Enter.• Check the system configuration utility of your operating system for the interrupt assignments.• Contact ATI's Customer Care or your local technical support.

General Troubleshooting	
Problem	Possible Solution
No Display	<ul style="list-style-type: none"> Check that the card is seated properly in its expansion slot. Ensure that the monitor cable is securely fastened to the card. Make sure that the monitor and computer are plugged in and receiving power. If necessary, disable any built-in graphics capabilities on your mother board. For more information, consult your computer's manual or manufacturer. (Note: some manufacturers do not allow the built-in graphics to be disabled or to become the secondary display.) Make sure that you selected the appropriate monitor when you installed your enhanced driver.
Screen Defects Appear	<ul style="list-style-type: none"> Check if your monitor supports the resolution, horizontal (kHz) and vertical (Hz) refresh rates as required by the graphics card. Check your current resolution, refresh rate, and color depth settings in the Settings and Monitor tabs in your Display Properties dialog. <p>Warning! Ensure that both video card and monitor support resolution and refresh rates you select. Incompatible resolution/refresh rate selection may result in monitor damage. Refer to your monitor's documentation for recommended resolutions and refresh rates.</p>
Off-Center Screen Image, Odd Colors or No Picture	<ul style="list-style-type: none"> Try adjusting the brightness, sharpness, contrast, and color balance controls of your monitor. Try adjusting the centering and positioning controls of your monitor to position the picture on the screen Set the monitor's RGB inputs (and sync switches, if this option is available) to 75 Ohms, with the sync set to external. Digital Flat Panel (DFP) monitor users: refer to your monitor's documentation for the appropriate cable and connector to plug into the DVI-I connector on the graphics card.
Operating System Warns that Video Card Isn't Properly Configured	<ul style="list-style-type: none"> Check the driver installation and make sure that all software is correctly loaded corresponding to your operating system and applications. Re-install the ATI drivers for your Radeon® X1550 Series card.

HDTV/HDTV Adapter Troubleshooting	
Problem	Possible Solution
The colors on my TV display are incorrect	<ul style="list-style-type: none"> • Ensure that the connections between the Component Video Adapter and your HDTV are correct (Y=Green, Pb=Blue, Pr=Red).
There is no display on my TV	<ul style="list-style-type: none"> • Your TV will not display anything until Windows starts; this may take several minutes. • Set your TV to YPbPr input. • Ensure that the HDTV Component Video Adapter is properly connected, then restart your computer.
DVDs will not play in 720p or 1080i modes	<ul style="list-style-type: none"> • Copy-protected DVDs restrict playback to 480i and 480p modes.
I can't see the entire display	<ul style="list-style-type: none"> • If your component input device supports it, try 720p mode.
The display appears tilted	<ul style="list-style-type: none"> • Consult your HDTV user's manual.
My CRT display is green	<ul style="list-style-type: none"> • Your system is in component output mode. Restart your computer with the CRT monitor connected.

Product Registration

To activate Customer Care you must register your product with ATI at:

ati.com/online/registration

Customer Care

For detailed instructions on how to use your ATI product, refer to the Online User's Guide included on your ATI installation CD-ROM.

If you require further assistance with your product, the following Customer Care options are available:

Service	Availability	Language	Access
Online or Mail	24/7	English, French, Spanish, Portuguese, German	ati.com or ATI TECHNOLOGIES INC. Attention: Customer Care 1 Commerce Valley Drive East Markham, Ontario Canada L3T 7X6
Telephone US & Canada	9:00AM - 7:00PM EST. Monday to Friday.	English	1-877-284-1566 (toll-free) or 1-905-882-2626 (International and/or local toll charges to Canada will apply).
Telephone Europe and Other Regions	10:30 to 00:00 GMT 10:30 to 19:00 GMT 12:00 to 20:30 GMT	English German- French Spanish- Portuguese	+00800-6677-1111 (toll-free) or +1-905-882-5549 (International and/or local toll charges to Canada will apply)
Telephone Latin America / South America	7:00AM to 3:30 PM EST 7:00AM to 7:00PM EST	Spanish, Portuguese English	+0800-333-5277 (Argentina) +0800-891-9068 (Brazil) +001800-514-3276 (Mexico) other: +1-905-882-3277 (International and/or local toll charges to Canada will apply)

ATI Customer Care will work to resolve your issue and help you to get your ATI product up and running. If your issue is not resolved, our technicians will determine whether the difficulty you are experiencing is the result of the ATI product, whether your product contains a defect, and whether your product is under warranty.

- ATI Customer Care is unable to assist with refunds, returns, or exchange specific inquiries. If resolving the problem being experienced is critical to your decision to keep the product, it is your responsibility to ensure that you know and are within the period of time your reseller will allow for refunds, returns or exchange.
- ATI is not responsible for any expense incurred accessing Customer Care. It is expected that customers will review the expense associated with the available support options and will choose the method that best meets their needs and budget.
- ATI Customer Care reserves the right to limit support options for products that are not registered or are at End of Life.

Additional Accessories

Additional and replacement cables, installation CD-ROMs, manuals, and other accessories for ATI products can be purchased from the online ATI store at:

ati.com/online/accessories

Compliance Information

This section details the compliance information for this product.

FCC Compliance Information

This Radeon® product complies with FCC Rules part 15. Operation is subject to the following two conditions

- This device may not cause harmful interference.
- This device must accept any interference received, including interference that may cause undesired operation.

This equipment has been tested and found to comply with the limits for a Class B digital device, pursuant to Part 15 of the FCC Rules. These limits are designed to provide reasonable protection against harmful interference in a residential installation. This equipment generates, uses and can radiate radio frequency energy and, if not installed and used in accordance with manufacturer's instructions, may cause harmful interference to radio communications. However, there is no guarantee that interference will not occur in a particular installation. If this equipment does cause harmful interference to radio or television reception, which can be determined by turning the equipment off and on, the user is encouraged to try to correct the interference by one or more of the following measures:

- Re-orient or relocate the receiving antenna.
- Increase the separation between the equipment and receiver.

- Connect the equipment to an outlet on a circuit different from that to which the receiver is connected.
- Consult the dealer or an experienced radio/TV technician for help.

The use of shielded cables for connection of the monitor to the graphics card is required to ensure compliance with FCC regulations. Changes or modifications to this unit not expressly approved by the party responsible for compliance could void the user's authority to operate this equipment.

Industry Canada Compliance Statement

ICES-003 This Class B digital apparatus complies with Canadian ICES-003.

Cet appareil numérique de la Classe B est conforme à la norme NMB-003 du Canada.

For further compliance information:

ATI Research Inc.
62 Forest Street.
Marlborough, MA
01752
USA
508-303-3900

CE Compliance Information

EMC Directive 89/336/EEC and amendments 91/263/EEC, 92/31/EEC and 93/68/EEC, Class B Digital Device EN 55022:2003/CISPR 22 Class B, Limits and Methods of Measurement of Radio Interference Characteristics Information Technology Equipment.

EN 55024:1998/CISPR 24:1997 +A1:2001 +A2:2003, Immunity of Information Technology Equipment (ITE), including EN 61000-4-2, EN 61000-4-3, EN 61000-4-4, EN 61000-4-5, EN 61000-4-6

Informations de conformité de la CE

Directive EMC 89/336/CEE et amendements 92/31/CEE et 93/68/CEE, pour dispositif numérique de Classe B.

EN 55022:2003/CISPR 22:1997, - Classe B - Limites et méthodes de mesure des caractéristiques d'interférences radiophoniques, Matériel des technologies de l'information.

EN 55024:1998/CISPR 24:1997 +A1:2001 +A2:2003, Norme sur l'immunité de matériel des technologies de l'information, et comprenant EN 61000-4-2, EN 61000-4-3, EN 61000-4-4, EN 61000-4-5, EN 61000-4-6

Electrical Safety

73/23/EEC - The Low Voltage Directive

IEC 60950-1:2001, IEC 60950:1999, 3rd Edition - Safety of Information Technology Equipment

BS EN60950-1:2002, BS EN60950:2000, 3rd Edition UL 60950-1:2003, UL 60950:2000, 3rd Edition CAN/CSA C22.2 No. 60950-1:2002, CAN/CSA C22.2 No. 60950-00, 3rd Edition (2000)

To meet UL safety requirements, the computer's maximum room temperature should not exceed 40° C.



Waste Electrical and Electronic Equipment (WEEE) Directive Compliance

This product was manufactured by ATI Technologies Inc.



CHAPTER 9:

Glossary

2D

Acronym for “two dimensional,” a term applied to computer graphics that are “flat.” Typical desktop applications such as word processors, spreadsheet programs, or other programs that manipulate print or simple graphics (such as pictures or line art) are generally considered to be operating within a 2D environment, even when they include simple three dimensional elements, such as buttons.

Pulldown

Pulldown is a telecine technique used to transfer motion picture film shot at one frame rate to a video format at a different frame rate. Typical NTSC video contains more frames per second than motion picture film for even division between frames, so that every 4 frames of film can be reproduced as 5 separate NTSC frames, the “extra frame” created by interlacing interpolated frames. The feature produces a smoother NTSC video image from a motion picture film source, and can be used for better edge image processing in the Vector Adaptive Deinterlacing feature within Catalyst™ Control Center.

3D

Acronym for “three dimensional,” referring to computer graphics that appear to have volume and depth. Various modeling processes take the representation of a three dimensional object provided by the computer program and render it by using various lighting components, applying textures, and setting layers of transparency or opacity as required in order to produce a realistic representation of a three-dimensional object on a two-dimensional display.

3Dc™

An ATI hardware-based compression technology that reduces the size of 3D texture data, rendering more finely-grained texture surfaces with greater efficiency. It significantly minimizes the memory footprint of normal maps containing information on how light reflects off textured

surfaces, allowing game programmers to include more texture and lighting details without affecting performance.

Adaptive Anti-aliasing

Adaptive anti-aliasing is a technique that applies a combination of multi-sampling (MSAA) and super-sampling (SSAA) on 3D objects to improve edge smoothness and fine detail. Multi-sampling works best on smoothing the edges of solid polygons, but cannot effectively smooth edges within polygons which are partially transparent. Super-sampling is able to more accurately calculate color values adjacent to transparent pixel shader values within polygons with partially transparent textures, but is not applied universally since it is more processor-intensive. Adaptive anti-aliasing works by using super-sampled anti-aliasing on transparent textures, and multi-sampled anti-aliasing on all other textures. This delivers exceptional levels of image quality, while maintaining performance.

AGP

The Accelerated Graphics Port (AGP) is a slot on the computer motherboard designed specifically for 3D graphics cards. AGP runs 3D images much more smoothly and quickly than was previously possible with PCI video cards; AGP runs at several times the bus speed of PCI and employs sideband addressing, so multiple data transfers between the graphics processor and the computer can take place concurrently. AGP is currently being phased out in favor of PCI Express® (PCIe™).

Alpha Blending

Alpha blending is used in 3D graphics to create transparent or opaque effects for surfaces such as glass and water. Alpha is a transparency value, so the lower the value, the more transparent the image looks. It is also used in animations to produce such things as fading effects, where one image gradually fades into another.

Alternate Frame Rendering

A graphical load-balancing scheme where two graphics cards are used to render alternate frames of the display. This configuration increases the detail of the 3D objects each card can render, as each card handles half of the total number of frames. Essentially, each card has more time to render a scene, delivering a noticeable increase in 3D detail. This type of graphical

operation is only available in Radeon® CrossFire™ graphics cards running Microsoft® Direct 3D® and OpenGL® games or applications.

Anisotropic Filtering

A technique that preserves the surface details of an object as it recedes into the distance by utilizing and blending together the object's texture maps. This makes 3D objects appear more realistic as the detail of their surface texture is retained in a smooth, seamless fashion on the sections that move or fade away into the background.

Anti-aliasing

A method that smooths out the jagged edges of a curved object. A black curved line on a white background displayed on a computer screen will have some jaggedness along its edges due to the inherent limitations of using discrete pixels to display the image. Anti-aliasing smooths out this jaggedness by filling in the white spaces between the jagged edges with varying shades of grey.

Aspect

A group of related features in ATI's Catalyst™ Control Center software. For example, the Color aspect clusters together controls that handles gamma, brightness, contrast, and other features relating directly to the display of color. Similarly, the 3D aspect provides a set of related controls dealing with such features as anti-aliasing, anisotropic filtering, mipmap details levels, and more.

Aspect Ratio

The proportions of a display are expressed as a ratio of its width and height. Common ratios include 4:3 for TVs and CRTs, 5:4 for LCDs, and 16:9 for widescreen displays.

Avivo™ Color

Avivo™ Color is an advanced feature within Catalyst™ Control Center, providing the user with precise control over how color is displayed on a monitor. Avivo™ Color provides tools to adjust the Hue and Saturation values on a per-monitor basis, making it possible to optimize the use of a

single display within its existing ambient lighting environment, or to better color match two or more adjacent monitors.

Back Buffer

A type of offscreen memory used to provide smooth video and 2D graphics acceleration. This technique uses two frame buffers, so the process is often referred to as “double-buffering.” While the contents of one buffer are displayed, a second buffer, called the “back” buffer, holds the frame being worked on. In this way, users will only see complete, smooth frames displayed onscreen.

Bilinear Filtering

This filtering method reduces the blockiness caused when zooming into a 3D surface that is at a right angle to the viewer. A newspaper photo examined closely enough will show that the picture is made up of tiny dots. If the photo was enlarged it would start to look “blocky” and less distinct. This is also a problem for computer-generated images, especially for surface details.

Bit Depth

Refers to the number of data bits required to store color information about a pixel. Larger bit depth means a greater range of color information is capable of being encoded into each pixel. For example, 1 binary bit of memory can only encode to either “0” or “1.” So a graphical bit depth of 1 means that the display can only show two colors, the black and white of a monochrome display. Four-bit color depth is capable of displaying 16 colors because there are only 16 different combinations of 4 bits (“0000”, “0001”, “0010”... to “1111”). Sixteen-bit color is capable of reproducing 65,536 colors, 24-bit color can display up to 16,777,216 individual colors, and 30-bit color can display up to one billion individual colors.

Bitmap

A bitmap is a graphic or character representation composed of individual pixels, arranged horizontally in rows. A monochrome bitmap uses one bit per pixel (bpp). Color bitmaps may use up to 32bpp, depending on the color depth selected.

Brightness

The amount of white or black that is applied to all colors onscreen. By making the screen “brighter” you are adding more white to it. This should not be confused with luminosity, which measures the actual light level emitted from the computer display.

Buffer

A name referring to portions of on-board video memory. One large buffer is always used to display images to the screen; this is the “display buffer.” The rest of offscreen memory is typically used by applications as back buffers, z-buffers, and texture buffers.

Catalyst™ Control Center

Catalyst™ Control Center is the successor technology to the Catalyst™ software formerly available only through the Windows® Control Panel. It has a new user interface, providing a more interactive means of controlling such things as 2D and 3D performance while providing immediate feedback using a more intuitive graphical user interface.

Color Component

Three color components—Red, Green, and Blue—combine in various intensities to determine the color of each pixel on the screen. The values of each color component are graphically represented by a corresponding color curve.

Color Correction

Correct discrepancies between the real color value and the way a screen displays it. Color discrepancies can be caused by a variety of sources, including the lighting conditions in the work area and gradual shifts in color over time on monitors or flat panel displays.

Color Depth

Color depth refers to the number of color shades available on your display and is measured in bits per pixel (bpp). Typical ranges are: 256 colors (8bpp), thousands of colors (16bpp), and millions of colors (32bpp).

Component Video

Typically used on DVD players and HDTV systems, component video is a standard Red/Green/Blue (RGB) color signal for televisions. The signal is split and compressed into separate luminance and color values—luminance (“Y”), red minus luminance (R-Y), and blue minus luminance (B-Y). The value for green is not transmitted. The display device automatically “fills in” the color values that are not red or blue. DVDs are encoded using component video, so display devices will provide enhanced playback when this type of connection is used. A common variant of this format used in North America is YPbPr.

Composite Video

Composite video is a type of analog video signal that combines both brightness and color information into a single signal. It typically uses a single RCA connection for the video channel, and separate RCA connections for the left and right audio channels. The quality of the video signal is reduced by the process of mixing the brightness and multiple color channels together into a single channel. For this reason it is inferior in signal quality than either S-Video or component video. Composite video is the broadcast format for analog television signals worldwide, and connections are typically available on VCRs, DVD players and video games.

Compositing Engine

A chip that is available only on CrossFire™ Edition graphics cards. This chip takes the signals from the GPUs on both the Master graphics card and the Slave graphics card and combines the results according to the selected operating mode. It then sends the final frames out to the display device. It is capable of advanced blending operations without burdening either of the GPUs.

Control Point

A control point is a user-created point on the color curve. Users can change the color of the screen by moving the control points with a mouse.

CRT

Acronym for “cathode ray tube”, which is the main component of computer monitors and TVs. Color CRTs use three separate electron beams fired

through a shadow mask and onto the back of the glass screen. The electron beams activate separate red, green, and blue values in various strengths in order to produce a colored image.

Dashboard

The dashboard is the part of the Catalyst™ Control Center used to display a graphical representation of the features available in installed ATI hardware and software. The dashboard can be used to access all of the aspects (sets of related graphical features) available on a graphics card. The dashboard is only available in Advanced view and Custom view which is aimed at more experienced users.

Direct 3D®

Part of Microsoft®'s DirectX API designed for rendering 3D graphics on Windows® systems. It provides software developers with low-level access to functions on graphics cards, providing the type of performance necessary for intensive 3D applications such as games.

DirectX

A Microsoft® technology, DirectX is an API that provides programmers with direct access to low-level hardware functions for games and other high-performance 3D applications.

Dithering

A computer graphics technique that takes advantage of the human eye's tendency to mix two colors that are adjacent to each other to produce smooth boundary transitions. Dithering adds intermediate color values between two or more boundaries, producing smoother, more natural look to 2D images or 3D objects.

Dot pitch

Dot pitch specifies the sharpness of a monitor's display. It is measured in millimeters (mm) and is the distance between the individual phosphor sub-pixels in a CRT display or cells of the same color within an LCD display. The smaller the number, the sharper the image. The most common dot pitches for monitors range from .24 mm to .31 mm. Also, if a monitor with a .24 mm dot pitch is set to its highest possible resolution, the pixel size will

equal the dot pitch. If the monitor is set to lower resolutions, the pixels will be comprised of multiple dots.

DVI

Acronym for “Digital Video Interface,” a standard video connection used on many current computer displays. There are three types of DVI connections: DVI-A (analog), DVI-D (digital), and DVI-I (integrated, capable of either analog or digital). It supports high-bandwidth video signals over 160 Hz, so it is most often used for high-resolution displays.

EDTV

Acronym for “Enhanced Definition Television”, which produces better television image quality than Standard Definition Television (SDTV). Applicable to the NTSC broadcast format, EDTV displays are capable of depicting the standard 480 horizontal scan lines in a non-interlaced format. Instead it paints all of the scan lines in one pass, which is called progressive scanning, a process which also removes the “jaggies” inherent in the interlaced television signals.

Flat Shading

A lighting technique that shades each polygon of a 3D object based on where the source of the light is and the angle of the polygon in relation to it. It enables relatively fast rendering of 3D objects, although it can make those objects appear “faceted” as each visible polygon is set to a particular color value, and consequently does not produce as realistic an effect as obtained when using Gouraud shading.

Fog

Term used to describe the blending of an object using a fixed color as objects are made to appear more distant from the viewer.

Frame Buffer

The portion of the memory buffer on the graphics card used to store the image being displayed. All rendering processes have been accomplished by this stage and this buffer contains only a one-to-one relationship of the data to be relayed to the display.

Frames Per Second

In terms of 3D graphics, refers to the rate at which the graphic processor can render new screens per second. Higher rates equals better, more naturalistic performance for such things as games set in a 3D environment. Sometimes abbreviated to “fps.”

Gamma

Sometimes confused with brightness, gamma actually refers to the correction that is applied to any display device in order to produce more gradual increases or decreases in the perceived brightness for that device. A change in gamma produces a non-linear change in the color curve, ensuring that perceived changes in color and intensity are consistently applied.

Gouraud Shading

A shading method used to produce a smooth lighting effect across a 3D object. A specific color is used at each vertex of a triangle or polygon and interpolated across the entire face.

HDCP

HDCP is an acronym for “High-Bandwidth Digital Copy Protection.” It is a form of digital rights management designed to protect copyright of signals being transported across DVI or HDMI™ connections. Several international regulatory bodies have recommended its incorporation into high-definition display and playback devices.

HDMI™

HDMI™ is an acronym for “High Definition Multimedia Interface.” It is a 19-pin connector used for transferring combined digital audio and video. HDMI™ supports standard, enhanced, and high-definition digital video signals, and is designed for use with VCRs, DVD players, personal computers, and set-top boxes. A DVI adapter can be used to transfer the video signal to an HDMI™-capable display, although audio must be transferred from a different route, as DVI output does not support audio.

HDTV

Acronym for “High Definition Television,” a format that produces much greater picture quality than a standard television, and in a wide-screen format that matches that of a movie theater screen. The two most popular formats are 1080i and 720p, where the number represents how many horizontal scan lines they have, and the following letter represents whether the picture is interlaced, or the product of progressive scanning technology. Interlaced displays paint the odd-numbered scan lines and then the even-numbered lines to produce a picture, whereas progressive scan paints all of the scan lines at once. Both formats use an aspect ratio of 16:9. In contrast, standard North American television signals are displayed using 480 interlaced (480i) scan lines with a more square aspect ratio of 4:3.

Hue

Refers to a specific color within the visible spectrum of light, defined by its dominant wavelength. A light wave with a central tendency within the range of 565-590 nm is visible as yellow. In the standard RGB color space used by most computer displays, hue refers to a coordinate of the color as described by its red, green, and blue values, minus any additional brightness or saturation values for that color.

HydraVision™

HydraVision™ is ATI's multi-monitor management software, enabling users to manage the display of multiple windows and applications across two or more adjacent monitors. It also includes a range of productivity features designed to effectively manage applications in this environment.

HyperZ™ HD

HyperZ™ HD includes a number of different technologies aimed at optimizing memory-bandwidth efficiency, particularly with respect to Z-buffer operations. The Z-Buffer, sometimes also called the Depth Buffer, stores information used to determine the placement of objects in a 3D environment with respect to the viewpoint of the observer. Reading and updating this buffer typically consumes more memory than any other part of the 3D rendering process, making it a major performance bottleneck. HyperZ™ HD technology reduces the memory bandwidth consumed by the Z-Buffer, thereby increasing performance while also making the 3D environment more realistic.

Keyframe Interpolation

This feature is also known as “morphing.” In an animation, a start and end point are picked as the key frames. In a 3D rendering, the start point could have a character with a neutral expression, and the end point could have that same character smiling. Additional frames are interpolated (inserted) between the two keyframes in order that “morphs” (transforms) the image so that there is a smooth transition between the key frames.

KTX Buffer Region Extension

This OpenGL® programming term refers to a feature that rapidly updates portions of the display of 3D modelling applications that change very quickly, or have been moved or occluded. It does this by optimizing the storage of buffer regions in the graphics card’s memory buffer. Other applications are typically not adversely affected when this is enabled.

Lighting

In 3D computer graphics, refers to aspects and quality of the virtual light source being used to make an object visible. Lighting can strongly affect the “mood” of a scene. For example, a “harsh” light could be a bare lightbulb that is glaringly bright on the objects closest to it while casting strong shadows in the background. A “softer” light would be more diffuse and not cast shadows, such as you would get outdoors on a typical overcast day.

Mipmapping

The most memory-intensive aspect of 3D graphics are the textures that give an object its realism (like wood, marble, leather, and cloth). Because objects in real life become less detailed as they move farther away from the viewer, 3D programmers simulate this by using less detailed, lower resolution texture maps on distant objects. These texture maps are merely scaled down versions of the main texture map used when the object is up close, and they use less memory.

NTSC

The name for the type of analog television signal used throughout the Americas (except Brazil) and in Japan. It draws a total of 525 vertical interlaced frames of video at a refresh rate of 60 Hz, making it relatively

flicker-free. The acronym refers to the National Television Systems Committee, which devised this color video standard in 1953.

Offscreen Memory

An area of memory used to preload images so that they can be quickly drawn to the screen. Offscreen memory refers to all of the remaining video memory not taken up by the front buffer, which holds the contents of the display screen currently visible.

OpenGL®

Short for “Open Graphics Library,” this is an industry standard for cross-platform 3D graphics development. It consists of a large number of functions that can be called upon in various programs, such as games, CAD, and virtual-reality systems, to produce complex 3D objects from simpler, more “primitive” building blocks. Implementations currently exist under Windows®, Mac OS® X, and various forms of Unix, including Linux®.

ATI Overdrive

ATI Overdrive maximizes the performance of the GPU by dynamically altering its speed to an optimal level depending on usage. An on-chip thermal sensor constantly monitors the temperature of the GPU, allowing for maximum clock speed to be maintained while avoiding overheating.

PAL

An acronym for “Phase Alternating Line”, the name for a video broadcast standard used in much of Europe (except France), most of Asia, the Middle-East, Africa and Australia. It draws a total of 625 vertical interlaced frames of video at a refresh rate of 25 Hz.

PCI

Acronym for “Peripheral Component Interconnect”, which is the specification for a type of computer bus used for attaching computer peripherals to a computer’s motherboard. PCI encompasses both integrated motherboard components (such as built-in graphical processors) and peripherals that fit into an expansion card slot, such as a separate graphics

card. PCI replaced the older ISA and VESA bus standards, and was itself superseded by the AGP standard for the main graphics card bus.

PCI Express® (PCIe™)

The successor standard to the PCI and AGP bus standards, with a significantly faster serial communications system, further opening up bandwidth for more communications between such peripherals as graphics cards and the computer's CPU. PCIe cards can come in several physical configurations, the fastest currently being X16, which is typically used for graphic cards, and X1, typically used for other peripherals, such as separate multimedia cards.

Pipeline

In relation to computer graphic processors, refers to the number of separate arithmetic units available for rendering the output on a display. In general, more pipelines available on a graphical processor means there are more 3D rendering capabilities available, increasing overall 3D performance.

Pixel

All computer images are made up of tiny dots. Each individual dot is called a pixel, a word created from the term "picture element." A pixel is the smallest indivisible unit of a digital image and can be only a single color. The size of the pixel depends on how the display resolution has been set. The smallest size a pixel can be is determined by the display's dot pitch, which is measured in millimeters (mm).

Refresh Rate

Also referred to as "vertical refresh rate." This is the rate at which a monitor or television can redraw the screen from top to bottom. NTSC television systems have a refresh rate of approximately 60 Hz whereas computer displays typically have refresh rates of 75 Hz or more. At refresh rates of 70 Hz and lower, screen flicker is often noticeable.

Rendering

Rendering refers to the final drawing stages where the 2D image that appears on a display is derived from its 3D descriptions. What appears on

the display may look three dimensional, but it is really just a 2D grid of pixels designed to appear that way.

Resolution

The resolution of any display is the number of pixels that can be depicted on screen as specified by the number of horizontal rows against the number of vertical columns. The default VGA resolution of many video cards is capable of displaying 640 rows of pixels by 480 columns. The typical resolution of current displays is set to higher values, such as 1024x768 (XGA), 1280x1024 (SXGA), or 1600x1200 (UXGA).

Saturation

Refers to the intensity of a specific hue (color). A highly saturated hue is vivid and intense, whereas a less saturated hue appears more grey. A completely unsaturated color is grey. In terms of the RGB color model, a fully saturated color exists when you have 100% brightness in one of the three channels (say, red) and 0% in the two others (green and blue). Conversely, a fully desaturated color is one where all of the color values are the same. Saturation can therefore be thought of as the relative difference between the values of the channels.

SCART

SCART is an acronym for “Syndicat des Constructeurs d'Appareils Radiorécepteurs et Téléviseurs”. SCART is a 21-pin connector used mainly in Europe for transferring analog audio and video signals between VCRs, DVD players, personal computers, and set-top boxes. It is sometimes referred to as Péritel or the Euroconnector.

Scissor Mode

A graphical load-balancing scheme where two graphics cards are used to render two halves of an image display. One graphics card renders the top half of the screen while the second graphics card renders the bottom half. This configuration offers a form of dynamic load balancing between the two cards as each only needs to render 3D object details on only half of the screen instead of the full screen at any one time. This type of graphical operation is only available in Radeon® CrossFire™ graphics cards running Microsoft® Direct 3D® and OpenGL® games or applications.

SDTV

SDTV is an acronym for “Standard Definition Television” that identifies lower resolution systems when compared to High Definition Television (HDTV) systems. SDTV systems use the same 4:3 aspect ratio and 480 scan lines to produce a picture as regular analog television sets, but digital decoding enhanced of the signal, displaying a sharper and crisper picture. SDTV broadcasts are either interlaced (480i) or use progressive scan (480p), the latter method providing the best overall image quality.

SECAM

An analog color video signal that originated in France, and is used in many other countries, including (but not limited to) much of Eastern Europe, parts of the Middle East and Asia. Like the PAL video standard, SECAM also draws a total of 625 vertical interlaced frames of video at a refresh rate of 25Hz, but uses a fundamentally different way of encoding its colors. The name is an acronym for “Séquential Couleur avec Mémoire,” which is French for “sequential color with memory.”

Shadow Mask

In CRT monitors, the shadow mask is a metal plate full of tiny holes that is attached to the inside of the glass screen. It focuses the beams from the electron guns at the back of the CRT. The distance between these holes is called the dot pitch.

SmartShader™ HD

SmartShader™ HD contains advanced vertex and pixel-shading capabilities. A shader is a small program that runs on the GPU and describes how an image should be rendered. Vertex shaders manipulate the individual polygons that make up 3D objects, and pixel shaders operate on the individual pixels that fill in these polygons to create a visible image. SmartShader™ HD is designed to alleviate the resource constraints of earlier shader hardware, paving the way for more complex, detailed, and realistic shader effects in applications requiring high-performance 3D rendering.

SmoothVision™ HD

SmoothVision™ HD incorporates improved anti-aliasing, anisotropic filtering and 3Dc™ compression features designed to further enhance

image quality. Anti-aliasing performance is improved, providing better overall detail and image quality. The enhanced anisotropic filtering ensures sharper and clearer pictures at higher frame rates, and the new 3Dc™ compression technology makes it possible to display higher polygon counts for 3D rendered objects.

Specular Highlight

The bright, usually small, intense light reflected from a 3D surface with a high refraction value. From the intensity and spread of this highlight users can differentiate between a “hard,” smooth surface, such as metal or porcelain, or a “soft,” textured surface, such as fabric or skin.

Super Anti-aliasing

A feature that improves image quality by combining the results of full-screen anti-aliasing across two graphics cards in a CrossFire™ configuration. The two graphics cards work on different anti-aliasing patterns within each frame. The results of which are combined by the compositing engine on the CrossFire™ Master graphics card to produce 3D images featuring smoother contours, lines, and shading effects.

SuperTiling

A graphical load-balancing scheme where two graphics cards are used to render alternate small 32x32 pixel squares in a fine-grained checkerboard pattern. This configuration increases image rendering quality, as each card processes half of the complex 3D objects in the pixel squares. SuperTiling is better optimized for most applications than Scissor Mode (where two graphics cards are used to render the top and bottom halves of the screen), since the checkerboard pattern better ensures a more even distribution of what needs to be rendered. This type of graphical operation is only available in Radeon® CrossFire™ graphics cards running Microsoft® Direct 3D® games or applications.

S-Video

Short for “Separate Video,” S-Video is a type of analog video interface that produces a higher-quality signal compared to composite video. The signal is split into two separate channels—luminance (Y) and chrominance (C). Sometimes referred to as “Y/C video” or “Y/C”, the connectors typically

contain 4-pins within a single connection housing and are commonly found on consumer DVD players, VCRs, game consoles, and related devices.

Texel

Short for “texture element,” the 3D equivalent of a pixel, describing the base unit of the surface of a 3D object, such as a sphere; for a 2D object, such as a circle, the base unit is a pixel.

Texture Mapping

In computer graphics, two-dimensional textured surfaces are referred to as texture maps. Texture mapping is the process by which a two-dimensional surface gets wrapped around a three-dimensional object so that the 3D object takes on the same texture qualities. For example, if you take a 2D textured surface that looks like cloth and wrap it around a 3D sphere, the sphere will now appear to have a cloth-like surface.

Texture Preference

Texture Preference is a feature enabling the user to select the texture quality level for the surface of a 3D object. Selecting the highest quality possible will provide the most realism, although it may also have some impact on the performance of any 3D intensive application.

Transition Minimized Differential Signaling (TMDS)

A technology designed to reduce electromagnetic interference (EMI) and improve the digital signal delivered to flat panel displays. Its encoding algorithm converts the original 8-bit graphic data into a more fault-tolerant 10-bit signal, which is then converted back to its original 8-bit form at the display device. The signal is also DC-balanced, allowing for the option of transmitting the signal over fibre-optic cable. DVI connectors can incorporate up to two TMDS links, with each “link” comprised of the number of signals required for standard RGB output. Higher resolutions and refresh rates than standard are possible if multiple TMDS links are available by using multiple DVI connectors.

Trilinear Filtering

A sampling method used to produce realistic-looking 3D objects. Trilinear filtering averages one of the bilinear filter mipmap levels along with the standard mipmap samples.

Vector Adaptive Deinterlacing

A technique that provides smoother, less jagged edges for interlaced video playback. Interlaced video consists of alternating odd and even numbered scan lines, which are then mapped to an equivalent pixel-by-pixel display on a CRT or Flat Panel Display. Without correction, jagged lines appear in a video image either as doubled scan lines or lines that are improperly interpolated. With vector adaptive deinterlacing, the difference in pixel values is considered across multiple lines and alternating frames (using Pulldown detection on the interlaced video source), and then intelligently re-interpreted to produce smoother edges in interlaced video images.

VersaVision™

An ATI technology enabling accelerated display rotation and scaling. Any desktop can now be rotated 90 degrees left or right, or even 180 degrees, while maintaining the full feature set of other ATI 2D and 3D technologies, such as SmoothVision™. VersaVision™ works with single or multiple displays.

Vertex Shader

Three-dimensional objects displayed on a screen are rendered using polygons, each of which is made up of intersecting triangles. A vertex is a corner of a triangle where it connects to another triangle, and each vertex carries a considerable amount of information describing its coordinates in 3D space, as well as its weight, color, texture coordinates, fog, and point size data. A vertex shader is a graphics processing function that manipulates these values, producing such things as more realistic lighting effects, improved complex textures such as hair and fur, and more accurate surface deformations such as waves rippling in a pool or the stretching and wrinkling of a character's clothes as he or she moves.

Vertex shader units

A feature built into the graphical processor which renders the texture, magnitude and direction of the individual triangles that comprise each polygon of a given 3D object. The more vertex shader units available

within the graphical processor, the more complex polygons that can be generated per clock cycle, and hence finer, more naturalistic detail and movement is possible.

VGA Connector

A type of graphics connector, sometimes also called an analog connector. It is the most common type of video connector available, consisting of 15-pins set in three rows. The “VGA” is an acronym for “Video Graphics Array,” which is also the name for the video resolution mode of 640x480 pixels, the lowest standard resolution supported by virtually all video cards.

Video Immersion™ II

A technology that integrates digital video features such as advanced adaptive de-interlacing, temporal filtering, and video gamma enhancement to produce high-quality video along with an integrated digital TV decode capability. It also supports component output support for EDTV displays at 480i (interlaced scanning), 480p (progressive scanning), and for HDTV displays at 720p, and 1080i.

VideoShader™ HD

A feature that integrates pixel-shading technology with video filtering and processing functions. It accelerates noise removal, de-blocking, adaptive de-interlacing, frame-rate conversion, color-space conversion, and more. It also enables better MPEG-2 decoding with motion compensation.

VPU Recover

A feature designed to significantly reduce the number of system crashes caused by problems occurring with the graphics hardware. If the display driver detects that the graphics processor has hung, VPU Recover will attempt to reset the graphics processor, eliminating the need for a system reboot and allowing users to continue using the computer without interrupting or losing their work.

YPbPr

A type of analog composite video signal that splits and compresses the standard Red/Green/Blue (RGB) colors of a television signal into separate luminance and color values. The “Y” stands for the luminance channel,

while “Pb” and “Pr” represent the blue and red channels respectively, both of which have the luminance value subtracted from them. It is an equivalent color space to the chrominance-based YCbCr, which is used for digital video.

Z-buffer

The portion of video memory that keeps track of which onscreen elements can be viewed and which are hidden behind other objects. In the case of a 3D image, it keeps track of which elements are occluded by the foreground in relation to the user’s perspective, or by another 3D object.

Index

Numerics

- 102 part number 4
- 1080i 56, 57, 120, 129
- 1080i mode 56
- 1080p 56
- 16:9 (aspect ratio) 113, 120
- 2D 111
- 3D 58, 59, 61, 62, 69, 73, 77, 90, 100, 101, 111, 120, 125, 126
- 3D Preview 60, 62, 64, 66, 67
- 3D Settings 58
- 3Dc 111, 125
- 4:3 (aspect ratio) 113, 120, 125
- 480i 105, 120, 125, 129
- 480p 105, 125, 129
- 5:4 (aspect ratio) 113
- 720p 57, 105, 120, 129
- 720p mode 55

A

- Accelerated Graphics Port (AGP) 112, 123
- access system information 40
- accessories 107
- Activate & Close 35
- Activate a profile 34
- Activate an application, file, or shortcut when a profile is started 35
- Adaptive Anti-Aliasing 68
- Adaptive anti-aliasing 63
- Add an HDTV format 57
- Advanced 31
- Advanced View 31, 39, 41, 58, 62, 69, 90
- All Settings 68
- Alpha blending 112
- Alternate Frame Rendering 101, 112
- Alternate Frame Rendering (AFR) 101
- Alternate pixel center 72
- Always on Top 36
- AMD Athlon 4
- Anisotropic Filtering 58, 63, 68, 69, 113
- Anisotropic filtering 113, 125
- Anisotropic Filtering preference 69
- Anti-aliasing 58, 61, 63, 68, 101, 112, 113, 125, 126

Anti-Aliasing preference 68
API-Specific 71
appearance of the Catalyst Control Center 37
Application Programmable Interface (API) 59, 71
Apply a Hotkey 33
Aspect 113
Aspect Ratio 57, 78, 83, 87, 113
ATI Overdrive 122
ATISSETUP utility 22, 23, 24
Avivo™ Color 113
Avivo Color 54
B
Back Buffer 114
back buffer 115
Basic 31
Basic View 31
Bilinear Filtering 114
BIOS 39
Bit depth 114
Bitmap 114
Brightness 81, 85
brightness 73, 74, 75, 77, 78, 80, 104, 113, 115, 119, 120
Buffer 72, 115, 118
bus type 39
C
Catalyst 24
Catalyst® A.I. 68
Catalyst™ A.I. 70
Catalyst A.I. 58, 65, 90, 100, 101
Catalyst A.I. settings 65, 90
Catalyst Control Center 23, 24, 27, 30, 31, 99, 100, 101, 115
Cathode Ray Tube (CRT) 43, 44, 51, 55, 128
Change Catalyst Control Center language 37
chrominance 126, 130
Clone Mode 42, 43, 82, 86
CMOS 99
Color 23, 54, 73, 74, 75, 76, 77, 81, 86, 104, 113
Color - Full-screen 3D 77
Color Brightness 75
Color component 115
Color Contrast 76, 77
Color correction 115
Color Depth 115
Color Gamma 75, 77

- Color quality 44
- Compliance Information 107
- compliance information 103
- Composite Engine 116
- Composite Video 116, 126, 129
- Compositing Engine 101, 126
- composition of the profile 34
- configuration
 - multiple monitors* 23
 - primary monitor* 23
- configuration tips 103
- Connecting Devices 14
- Contrast 74, 81
- contrast 73, 74, 75, 76, 77, 80, 85, 104, 113
- Control Panel 5, 23, 115
- Control point 116
- Copy-protection
 - DVDs* 105
- CPU 123
- Crazy Taxi 3 65
- Create a list of active Hotkeys 33
- Create a Profile 34
- Create or Edit Profile 34
- CrossFire 99, 100, 101, 102, 126
- CrossFire Edition 99, 101, 116
- CrossFire F.A.Q. 99
- CrossFire Ready 99, 100
- CRT 4, 105, 116, 117, 125
- Custom View 31, 32
- Customer Care 38, 103, 105, 106, 107
- D**
- Dashboard 27, 30, 31, 117
- Define Custom View 32
- de-interlacing 83, 84, 87, 129
 - adaptive* 84
 - bob* 84
 - motion adaptive* 84
- Delete a Profile 35
- Depth Buffer 120
- Desktop Area 44
- desktop size 44
- Detect a newly connected display device 45
- Detect Displays 45
- Determine how display devices are detected 48
- device ID 39

- Digital 104
- Digital Flat Panel (DFP) 43, 44, 45, 55, 56, 104
- Digital flat-panel (DFP) display 4
- Digital Panel properties 51
- Digital Video Interface 118
- Direct 3D 46, 70, 71, 72, 101, 113, 117, 124, 126
- DirectX 117
- Disable Catalyst ® A.I. 66, 91
- Disable Catalyst A.I. 65
- Display Color page 74
- Display Data Channel (DDC) 49
- Display Detection Options 46
- Display Options 46
- Display the online help 38
- Display the version of the installed Catalyst Control Center 38
- Displays Manager 40, 41
- Displays Manager Advanced View 41
- Dithering 117
- Doom 3 65
- Dot pitch 95, 117, 125
- dot pitch 95
- driver installation 21
- drivers
 - installing* 21
 - uninstalling* 5
- DVD 4, 21, 116, 119, 127
- DVI 51, 52, 53, 119
- DVI Settings 53
- DVI-A 118
- DVI-D 118
- DVI-I 104, 118
- DXT 72
- DXT texture formats 72
- E**
- Edit an existing Hotkey 32
- Electromagnetic Interference (EMI) 127
- Enable High Quality AF 64
- Enable Hotkeys feature 32
- Enable VPU Recover 89
- Enhanced Definition Television (EDTV) 118, 129
- error report 89
- Euroconnector 124
- Extended Desktop 48
- Extended Display Identification Data (EDID) 50, 51, 55, 56, 57

Extended Mode 42, 43, 44, 82, 86
external connectors 4

F

FCC Compliance 107
Flat Shading 118
Fog 118
Force 24-bit Z-buffer depth 72
Force button 45
Force changes to a specific display setting 45
Force TV Detection 46
Force TV detection 48
Frame Buffer 118
frame rate 72, 111
Frames per second (fps) 119
FullScreen 3D 77

G

games
 TV display 95
Gamma 80, 85
gamma 73, 74, 75, 77, 78, 80, 113, 119
geometry instancing 71
Gouraud Shading 118, 119
GPU 116
Graphical Processor Unit (GPU) 71, 122, 125
graphics chipset 39
Graphics Software 39

H

Half Life 2 65
Hardware
 installing 7
HDTV 95, 97
HDTV Adapter Troubleshooting 105
HDTV Component Video Adapter 96
HDTV Support 55
Help 23, 27, 31, 38, 106
Hide Splash Screen 36
Hide Toolbar Text 36
High Definition Multimedia Interface (HDMI) 119
High Definition Television 95
High Definition Television (HDTV) 43, 44, 49, 51, 55, 56, 57, 105,
119, 120, 125, 129
High-Bandwidth Digital Copy Protection (HDCP) 119
Hotkeys 30
Hotkeys Manager 32, 33

Hue 54, 78, 80, 81, 86, 113, 120, 124
HydraVision 22, 24, 120
HyperZ HD 120

I

Image Scaling 52
Industry Canada Compliance 108
Information Center 39
installation tips 103
Installing drivers 21
interlaced 83

K

Keyframe interpolation 121
KTX Buffer Region Extension 121

L

Let the application control the video adjustments 80, 85
Let the Application Decide 61, 63
Lighting 111, 112, 114
Linux 122
list of active Hotkeys 33
luminance 126, 129

M

Mac OS X 122
Master graphics card 116, 126
Match the source video 83, 87
memory size 39
Microsoft DirectX 47, 72, 117
mipmap 113
Mipmap Detail Level 58
Mipmap detail level 67, 68, 70
Mipmapping 63, 67, 121
Monitor Attributes 50
motherboard 112
MPEG-2 129
multimedia 84
multi-monitor 40, 120
Multi-Sample Anti-Aliasing (MSAA) 63, 112

N

NTSC 111, 118, 121, 123

O

Offscreen Memory 122
OpenGL 39, 46, 47, 70, 71, 121, 122
Overlay Display 78, 82, 86
Overlay Display Mode 86

P

PAL 122, 125
PCI 122, 123
PCI Express 4, 99
PCI Express (PCIe) 112, 123
Pentium 4
Péritel 124
Pipeline 100, 101, 123
Pixel 72, 101, 123
pixel shaders 125
pixel-by-pixel 128
Pixel-shading 125
power supply 4
Predefined and Custom HDTV Formats 55, 56
Preferences 31, 35
Preview your changes 60, 62, 64, 66, 67
Prince of Persia 65
Product Registration 105
Profiles 31
profiles 33
Profiles Manager 33
Pull-down 111

R

Race Driver 65
RCA connection 116
Reactivate ATI color controls 75
Reactivate your color settings 75
Red Green Blue (RGB) 104, 116, 120, 124, 127, 129
Refresh Rate 22, 23, 41, 44, 47, 50, 72, 104, 123
Refresh Rate Override 46
refresh rate override 47
registration 4
Remote Wonder 24
Remove an HDTV Format 57
Rendering 123
rendering modes 88, 101
Resolution 4, 23, 41, 48, 50, 53, 95, 104, 124
resolution modes 48
Restore factory defaults 37
RGB 116
Rotate the desktop 45
rotation 45, 128

S

Safe Mode 103

- safety instructions iii
- Same on all displays 86
- Saturation 54, 80, 81, 86, 113, 120, 124
- Save your Profile 35
- Scale to full screen 83, 87
- scaling 128
- SCART 124
- Scissor Mode 101, 124, 126
- Search for Help 38
- SECAM 125
- secondary display device 41
- Select a deinterlacing mode 84, 87
- Select a Language 37
- Select a skin 37
- Separate Video 126
- serial number 4
- Set a higher quality Anisotropic Filtering 64
- Set color correction for 74, 75
- Set the Anisotropic Filtering preference manually 63
- Set the Anisotropic Filtering to automated preference 64, 69
- Set the Anti-Aliasing preference manually 61, 73
- Set the Anti-Aliasing to automated preference 61
- shader 125
- shader effects 125
- Shadow mask 125
- Slave graphics card 116
- SmartShader 70
- SmartShader HD 125
- SmoothVision HD 125
- Software
 - installing* 21
- Sort Hotkeys 33
- Specular highlight 126
- Splash Screen 36
- Splinter Cell 65
- Standard Definition Television (SDTV) 118, 125
- Standard Mode 82, 86, 87
- Standard Settings 58
- Standard settings 59
- Stretch Main Horizontally 43
- Stretch Main Vertically 43
- Super Anti-aliasing 101
- Super-Anti-Aliasing 126
- Super-Sample Anti-Aliasing (SSAA) 63, 112

- SuperTiling 101, 126
- SurroundView 24, 102
- S-Video 126
- Swap display 44
- Switch Views 31
- SXGA 124
- System Information 40
- system requirements 4
- System Tray Icon 37
- T**
- Temperature 54
- Temporal anti-aliasing 61
- temporal filtering 129
- Texel 127
- texture buffer 115
- Texture mapping 127
- Texture Preference 127
- the same on all displays 82
- Theater Mode 78, 82, 83, 86, 87
- Theater Mode Settings 87
- ToolTips 36
- Transition Minimized Differential Signaling (TMDS) 127
- Transparent Anti-Aliasing 69
- Trilinear filtering 128
- Triple buffering 72
- Troubleshooting 103, 105
 - HDTV adapter* 105
- troubleshooting 103
- TV 40, 43, 44, 45, 46, 48, 94, 95, 105
- TV display 93, 95
 - games* 95
- TV Out 93
- U**
- Unreal Tournament 2003 65
- Unreal Tournament 2004 65
- UXGA 124
- V**
- VCR 116, 119, 127
- Vector Adaptive Deinterlacing 111, 128
- VersaVision 128
- Vertex shader 128
- Vertex shader units 128
- vertex shaders 125
- vertical refresh rate 123

VGA 4, 124
VGA connector 129
Video 79, 80, 81, 82, 84, 85, 86, 87, 88, 104, 105
Video Adjustments 88
video aspect ratio 83, 87
Video Graphics Array 129
Video Immersion II 129
video memory 115
Video Preset 79
Video Wizard 79
VideoShader HD 129
Views 30
VPU Recover 88, 89, 129

W

Wait for display refresh 68
Wait for vertical refresh setting 70
Warranty 106
warranty 103
Waste Electrical and Electronic Equipment (WEEE) Compliance 109
Windows 21, 23, 24, 105, 122
Windows Advanced Options Menu 103
Windows Control Panel 115
Windows System Information 40
Windows System Tray 37
Windows XP 4, 21, 103
Wizard 38, 78, 79

X

XGA 124

Y

Y/C 126
Y/C video 126
YCbCr 130
YPbPr 105, 116, 129
YPbPr connector 95

Z

Z-buffer 72, 120, 130
z-buffer 115

Free Manuals Download Website

<http://myh66.com>

<http://usermanuals.us>

<http://www.somanuals.com>

<http://www.4manuals.cc>

<http://www.manual-lib.com>

<http://www.404manual.com>

<http://www.luxmanual.com>

<http://aubethermostatmanual.com>

Golf course search by state

<http://golfingnear.com>

Email search by domain

<http://emailbydomain.com>

Auto manuals search

<http://auto.somanuals.com>

TV manuals search

<http://tv.somanuals.com>