

SECURITRON MODEL LCP SERIES ELECTRIC LOCK CONTROL PANEL TABLE OF CONTENTS AND GUIDE TO THIS MANUAL

The LCP series is a powerful and versatile system with many standard and optional features. You will generally use only some of these features so this table of contents includes a description of the type of application that applies to each different section. By studying it first, you can save considerable time by skipping over those parts of the manual that don't apply.

SECTION 1. DESCRIPTION -----Page 1

SECTION 1.1 GENERAL -----Page 1

This section explains part numbering and allows you to determine your panel configuration.

SECTION 1.2 PANEL POWER -----Page 1

SECTION 1.3 LOCK CONTROL -----Page 2

SECTION 1.4 MONITORING -----Page 2

SECTION 1.5 AUDIBLE ALARM AND ALARM RESET -----Page 3

The above 4 vital sections contain information that applies to any LCP series panel.

SECTION 2. OPTIONS -----Page 4

Once you have determined the options present or desired on your panel, read the corresponding section below to learn the function and operation of the supplied option.

SECTION 2.1 SILENCE LATCH (OPTION "SL") -----Page 4

SECTION 2.2 EMERGENCY RELEASE (OPTION "PB") -----Page 4

SECTION 2.3 ADDITIONAL MONITORING LIGHTS (OPTION "AM") -----Page 4

SECTION 2.4 SWITCH BYPASS KEYSWITCH ("KP1", "KP2" "MK1", "MK2") -Page 5

SECTION 2.5 MOMENTARY SWITCHES (OPTION "MOM") -----Page 5

SECTION 2.6 HIGH VOLUME PUSH BUTTONS (OPTION "HT") -----Page 5

SECTION 3. BOARD TERMINAL DESCRIPTIONS -----Page 6

This is a reference section. It starts with a drawing showing all terminals on the panel board and then describes the meaning and function of each. Reading the section explains the capabilities of the panel, but it's not necessary to complete an installation. As a reference, the section is of great help in answering questions which arise or planning unusual uses.

SECTION 4. WIRING -----Page 7

SECTION 4.1 POWER INPUT WIRING -----Page 7

The above section should be read for all installations.

SECTION 4.2 FAIL SAFE LOCKS -----Page 9

If the locks you will be using are fail safe (secure when powered), this section should be carefully read to determine the proper hookup. Figure 3 (Page 10) shows the several different ways that fail safe locks may be connected to the panel.

SECTION 4.3 FAIL SECURE LOCKS -----Page 10

If the locks you will be using are fail secure (secure when not powered), this section should be carefully read to determine the proper hookup. Figure 4 (Page 12) shows the several different ways that fail secure locks may be connected to the panel.

SECTION 4.4 POWERED SWITCHING DEVICES AT THE DOORS -----Page 14

Read this section if your are using a switching device at the door which employs power such as a digital keypad or card reader.

SECTION 4.5 WIRING UNUSED ZONES -----Page 15

If any zones are not connected to locks, read this section.

SECTION 4.6 WIRING WITH RELEASE HOLD TIMER -----Page 15

If the locks include a momentary switch for entry or exit which activates a timer to release the door for an interval, this section shows preferred wiring techniques.

SECTION 4.7 REMOTE INDICATOR WIRING -----Page 16

If controls at the door such as push buttons or keyswitches include indicator lights, this section advises methods of wiring them for clear prompting to individuals using the door.

SECTION 4.8 AC LOCK CONTROL -----Page 17

This section explains use of the panel with AC locks.

SECTION 5. OPTION WIRING -----Page 17

The following 5 sections explain the field wiring that relates to the options which may be supplied with the panel. In the case of certain options, it is possible that the option be added in the field by the installer if it ought to have been ordered but was not. Therefore, read the appropriate section for any option that has been supplied or that might be desired.

SECTION 5.1 SILENCE LATCH WIRING (OPTION "SL")-----Page 17

SECTION 5.2 EMERGENCY RELEASE WIRING (OPTION "PB")-----Page 18

SECTION 5.3 WIRING OF "AM" OPTION FOR DELAYED EXIT-----Page 18

SECTION 5.4 SWITCH BYPASS WIRING (OPTION "KP1" OR "MK1") -----Page 23

SECTION 5.5 SWITCH BYPASS WIRING (OPTION "KP2" OR "MK2") -----Page 24

SECTION 6 USE OF MULTIPLE PANELS-----Page 25

The three sections below explain different techniques of employing more than one panel to control and monitor the same set of electric locks.

SECTION 6.1 "MASTER/SLAVE PANELS (FOR FAIL SAFE LOCKS)-----Page 25

SECTION 6.2 MULTIPLE PANEL FAIL SECURE WIRING-----Page 27

SECTION 6.3 PANELS ALTERNATELY ENABLED -----Page 27

SECTION 7. DOOR MONITORING (NO ELECTRIC LOCKS) -----Page 29

This section covers use of the panel for door monitoring

SECURITRON LCP SERIES ELECTRIC LOCK CONTROL PANEL INSTALLATION AND OPERATING INSTRUCTIONS

1. DESCRIPTION

1.1 GENERAL

The LCP series is a circuit board based family of control panels suitable for hard wired control and monitoring of electric locks. The unit can also be used for door monitoring only (no electric locks). See section 6. The circuit board operates 4 control/monitoring zones so the panel must be constructed in multiples of 4 zones. The locks must operate on **12 or 24 volts DC** and may be fail safe (secure when powered) or fail secure (secure when unpowered). Lock current draw is limited to 1.5 Amps (steady) with 3 Amps inrush acceptable.

The LCP series includes several options which are generally supplied with the panel (when ordered) or in most cases may be added by the installer if the requirement for the option is discovered after the panel has been delivered.

The panel's part number expresses the complete description of the panel as follows:

LCP-XX-YY-(OPTIONS)

"XX" = The number of zones for control and monitoring

"YY" = The panel voltage (12 or 24 VDC)

Options are expressed as letter suffixes as follows:

"W" = Wall mount Nema 1 locked enclosure

"F" = Flush mount pull box cover with back box

"R" = 19" Rack panel face. A slope front desk mount is the standard panel enclosure.

"SL" = Silence Latch

"PB" = Emergency all release (for fail safe locks only)

"AM" = Additional set of monitoring lights

"KP1" or "MK1" = Keyswitch control switch bypass (for fail safe locks only)

"KP2" or "MK2" = Keyswitch control switch bypass (for fail secure locks only)

"MOM" = Momentary control switches (alternate is standard)

"HT" = Substitutes high volume push button switches for toggle switches

As an example, part # LCP-16-12-W-SL-MOM would be a 16 zone, 12 VDC, wall mount panel with the Silence Latch and momentary switch options installed.

The options are discussed in detail in section 2.

1.2 PANEL POWER

Panel (and lock) power must be from a single power supply of the same voltage required by the locks (12 or 24 VDC). The panel distributes this power to each lock through its control switches. Regulated DC is not necessary. A transformer + bridge rectifier is adequate. **The rectifier must however be full wave; a single diode will not work.**

A power supply with integral battery backup (available from Securitron) is required if the system is expected to operate in a power failure.

In selecting the power supply, it naturally should be of sufficient capacity to operate all the locks. In addition the panel requires power for its internal electronics and indicators. The power

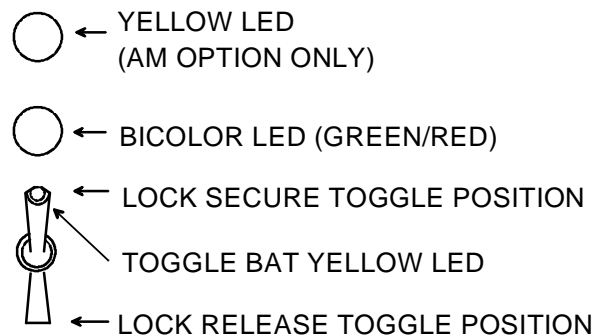
requirements vary with the monitoring scheme and the voltage but figure a worst case of **60 mA per control zone** for panel current draw. Since power supply cost is always a small percentage of the installation cost, we always recommend to not skimp on power supply capacity. We advise that the power supply be capable of driving 30% more current than the installation requires. This eliminates heat induced power supply failure and also allows for some future expansion of the job.

1.3 LOCK CONTROL

Each lock is controlled by a toggle switch on the panel face. Normally, the toggle switch is alternate action but the "**MOM**" option supplies spring loaded momentary toggle switches so that the lock will be released only so long as the switch is held down. It is, of course, possible to control multiple locks from a single switch (zone) if they are wired in parallel. This is most commonly done with two locks mounted on a double door. Be sure that if multiple locks are controlled by a single toggle, the 1.5 Amp current limit per zone is not exceeded. If higher current control is necessary, the panel should be made to control a relay which in turn will switch the high current lock or locks. Note that toggle switches **are not suitable for high volume use**. 50,000 cycles is a typical operating life for a toggle switch. If your expected use for each zone is on the order of a few dozen operations per day, toggle switches are fine. If the expected use is in the hundreds of operations per zone per day, you should purchase option HT which replaces the toggles with illuminated push buttons with a much longer operating life. The lamp within the "HT" push button, operates just as the toggle bat yellow indicator.

1.4 MONITORING

Each zone (toggle switch) has a bicolor LED with green and red internal elements behind a fresnel lens. If a second indicator is present for each toggle, this is the "AM" option which is described in section 2.3. Returning to the bicolor indicator, the green element is driven by a separate input terminal on the board and it is intended to monitor the status of the lock or door. Green indication means that the lock is reporting secure if it has lock status sensing or it can mean that the door is closed from a door switch. If no lock or door monitoring is desired, the green indicator can be made to follow the powered/unpowered status of the lock although this does not utilize the full capabilities of the panel.



When the lock has been "legally" released from the panel toggle or from a local switch at the door such as a keyswitch, digital entry device or card reader, the bicolor indicator will be off.

Each toggle switch has a yellow LED in its actuator. This illuminates whenever the lock is legally released, either from the toggle switch itself being flipped down, or from a local release switch at the door. The yellow toggle indicator will always correspond to "bicolor indicator off". **If the panel has been supplied with spring loaded momentary switches (option "MOM"), the toggle switch will not have any indicator** due to unavailability from the switch manufacturer.

The bicolor indicator will turn red in the "violation" condition. This is when the lock should be secure but is not so reporting from its lock status or door status output.

1.5 AUDIBLE ALARM AND ALARM RESET

The red indicator is always accompanied by a Sonalert sounding on the panel. The panel operator hears the alarm, and then consults the panel face to determine the zone that has gone into violation. **The violation condition is latching.** Once a red indicator goes on and the Sonalert sounds, it will continue **even if the door is resecured**, until manually reset by the momentary reset switch on the panel face. This reset switch serves for any violation event on the entire panel.

The panel's reporting of a violation event is automatically delayed by 2 seconds. To understand the purpose for this, consider a typical installation with lock status sensing locks. When a lock is legally released by the panel toggle or a local switch, the panel reports legal release (toggle bat LED yellow and bicolor LED off). When the lock is resecured by the same switch, some time (usually a half second) is required for the lock to report secure to the panel. This is the time necessary for a magnetic lock to pull in and generate full holding force or for a bolt to seat. Without the violation delay, a latching alarm event would occur every time a zone was relocked.

If the factory is informed, the **delay time can be increased to up to 6 seconds** (capacitor values on the boards are changed). An example of a longer delay being desired would be if entry was by a keyswitch. A person using the door would turn the momentary keyswitch and push the door open with his other hand. A 6 second violation delay would be appropriate to allow the person to release the keyswitch, move through the door, and then allow the door to reclose and resecure. Note that if the keyswitch activates a release hold timer as is commonly done, a long delay is not required. The timer will shunt the panel violation condition allowing the door to reclose. When the timer resecures the lock, it will drop out the violation shunt and only a short delay will be necessary to allow the lock to report secure again.

The effect of the bicolor LED in helping the panel operator correctly reset panel violations should be understood. In normal operation, the locks are secure and the indicators are green. Legal use of the door switches the bicolor LED off and it then turns green again when the door resecures. If the indicator turns red (accompanied by the Sonalert) a violation has occurred which means that the door is not secure. If reset is attempted at this point, the Sonalert will stop but after the alarm delay expires, (2 seconds) the violation condition will reoccur as the door is still not secure. If the panel toggle is switched to legally release the lock, the violation can now be reset (bicolor LED will be off) but the door is still not secure. The panel should be reset after the door has been resecured. At this point, the bicolor green element (door secure) and red element (violation) will both be lit which will make the LED appear orange. **The orange color is therefore the signal to the operator that the zone is secure after a violation and is ready to reset.**

SUMMARY OF INDICATOR/SONALERT STATES

BICOLOR GREEN: ZONE SECURE (FROM DOOR STATUS OR LOCK STATUS SWITCH)

BICOLOR OFF: ZONE LEGALLY RELEASED EITHER FROM TOGGLE OR FROM REMOTE CONTROL SWITCH

TOGGLE BAT YELLOW INDICATOR ON: LEGAL RELEASE (SAME AS BICOLOR OFF)

TOGGLE BAT YELLOW INDICATOR OFF: LOCK SHOULD BE SECURE (FAIL SAFE LOCK IS POWERED; FAIL SECURE LOCK IS UNPOWERED)

BICOLOR RED: VIOLATION CONDITION. LOCK SHOULD BE SECURE (TOGGLE BAT INDICATOR IS OFF) BUT IS NOT REPORTING SECURE AFTER 2 SECOND DELAY

BICOLOR ORANGE: ZONE THAT HAD BEEN IN VIOLATION HAS RESECURED. PRESSING RESET TOGGLE WILL CLEAR CONDITION, CHANGING LAMP TO GREEN AND EXTINGUISHING SONALERT

2. OPTIONS

If the panel has been supplied with any of the options listed in section 1.1, explanations of the options' functions are provided in the following sections. Section 5 explains wiring for all options including the addition in the field of certain options that may not have been ordered with the panel but have turned out to be needed at the time of installation.

2.1 SILENCE LATCH (OPTION "SL")

In the event of a violation condition which takes some time to resolve, the continuing Sonalert is irritating. If the "SL" option has been installed, the sound can be extinguished by momentarily pushing the "silence" button found next to the Sonalert. This works as follows: If the Sonalert is not sounding, pushing the button has no effect. The Sonalert **cannot be silenced in advance**. When it is sounding, pushing the button will stop it and illuminate the indicator in the button which shows the silence latch is active and the Sonalert would otherwise be sounding. The red indicator will continue to show the zone in violation. The Sonalert will remain silent until the violation condition has been reset **even if another zone violates**. The button indicator will then extinguish and the latch will reset. The next time a violation condition occurs, the Sonalert will again sound and may again be silenced as before.

2.2 EMERGENCY RELEASE (OPTION "PB")

Often, for safety reasons, it should be possible to release all locks with a single control. The "PB" option adds to the panel an illuminated, alternate action, red push button switch. In normal operation, the red indicator in the switch is off. When the switch is pressed, it cuts off all DC power to the locks, releasing them (the "PB" option works with fail safe locks only). The red indicator in the switch then illuminates showing that the panel is in a state of emergency release. Pressing the switch a second time extinguishes the indicator and restores power to the locks. **Note that when this happens, the Sonalert will sound and the reset switch will have to be pressed.** Whenever the panel boards are first powered or repowered, the reset switch must be pressed to initialize the boards and start normal operation of the violation circuit.

2.3 ADDITIONAL MONITORING LIGHTS (OPTION "AM")

The "AM" option adds a second row of LED's (yellow) next to the bicolors. When a positive voltage signal is input to the associated board terminal, the yellow LED comes on. At the same time a different audible alarm sounds. For panels with the "AM" option, Securitron uses a dual input Sonalert. It sounds a steady alert in the violation condition but sounds a pulsing alert if any panel yellow LED illuminates. The pulsing alert can not be silenced with the silence latch if that option has been supplied.

The main purpose for the additional monitoring capability is exit delay installations. In such installations an exit device is mounted on each door. Pressing the exit device does not immediately release the lock, but rather initiates a 15 or 30 second delay after which the lock automatically releases. A specialized logic timer such as Securitron's model XDT is necessary to accomplish the delay function. When a control panel is used in this sort of installation, **the start of the release delay period must be annunciated** so that a guard can be dispatched to the door to investigate the egress attempt. The yellow indicator together with the pulsing Sonalert perform this function.

It is, of course, possible to assign a different function to the additional lights. They can be made to illuminate when any sort of external switch closes. Examples could include an installation where lock status and door status are separately monitored. If it is desired that the pulsing Sonalert not accompany the illumination of a yellow LED, it is a simple matter to disconnect the +V line to the Sonalert's pulse input.

2.4 SWITCH BYPASS KEYSWITCH (OPTIONS "KP1", "KP2", "MK1", "MK2")

With this option, an alternate action keyswitch is mounted on the panel face with an LED indicator to show its position. When the indicator is on, the panel is in the normal operating mode. All the toggles function to release and secure the locks. When the keyswitch is turned, the panel is **bypassed**. This means that all locks are immediately secured (if some had been released from the toggles) and the toggles will no longer release any lock. If fail safe locks are being used and the PB (emergency release) option has been supplied, the push button will also not be able to release the locks. The purpose for this is allow a panel operator to leave the panel for a time without the danger that an unauthorized person will release some of the locks.

There are 4 possible configurations for the switch bypass option. KP calls out a tubular Ace type keyswitch. MK calls out a mortise cylinder type keyswitch wherein the user supplies the cylinder and the unit is delivered with a hole for mounting the cylinder. Rear bracketry includes the actual switch which is operated by the cylinder cam. This permits the user to key the panel bypass keyswitch into his facility keying system. **The KP1 and MK1 versions are for fail safe locks.** When they are in the bypass position, power is sent to the locks in a manner that bypasses the toggles and emergency release button (if one is present). The panel continues to monitor the doors but power cannot be removed from the locks by the panel. **The KP2 and MK2 versions are for fail secure locks.** When they are in the bypass position, power is removed from the panel boards so that the locks stay secure. With this approach, the panel stops monitoring the locks as the boards have been unpowered. Note that for the fail secure version, an emergency release button is not available.

Do not employ this option in a delayed exit installation with Securitron's XDT board. It will not work properly. See Section 5.3.

2.5 MOMENTARY SWITCHES (OPTION "MOM")

This option supplies spring loaded momentary toggle switches for lock control. The normal position is lock secure. The switches are momentarily pressed to release the lock. Note that when momentary switches are supplied, the yellow toggle bat LED indicator is eliminated due to unavailability from the switch manufacturer. All other features of the panel are the same. Since "toggle bat indicator on" annunciates the same condition as "bicolor off", the monitoring performance of the panel is not lessened. Note that on a special order basis, momentary and alternate switches can be mixed on the same panel.

2.6 HIGH VOLUME PUSH BUTTONS (OPTION "HT")

In "normal" use, toggle switches are appropriate for the LCP. They have the advantage of showing their position by facing up (locked) or down (released). Toggles, however, are not intended for high traffic use. Their typical operating life is roughly 30,000 cycles. This is well adequate for most applications when the toggles are used occasionally but where the panel switches are being continuously employed for letting people through doors (this is often a momentary application), the "HT" option substitutes push button switches for the toggles. The push button switches have many times the cyclic life of the toggles. They also include internal indicators which operate just as the yellow bat indicators do on the toggles. The use of the "HT" option does not change any panel wiring procedures and note that the option "MOM" can be combined with the push button "HT" option to yield momentary operation rather than the standard alternate action.

3. BOARD TERMINAL DESCRIPTIONS

Refer to Figure 1 (Panel Board Overview) to see the terminal layout. This section describes the function of each terminal and is intended for reference or to allow the installer to use the panel in a novel way.

FIG. 1: PANEL BOARD OVERVIEW

+V IN, ZONE 1	+1	ZONE 1	S1	+V IN ILLUMINATES GREEN INDICATOR
+V IN, ZONE 2	+2		L1	+V OUT WHEN RESPECTIVE SWITCH ON-CONNECT FAIL SAFE LOCK
+V IN, ZONE 3	+3		E1	+V OUT WHEN SWITCH OFF/FAIL SECURE LOCK +V IN SHUNTS VIOLATION (LEGAL RELEASE)
+V IN, ZONE 4	+4		S2	+V IN ILLUMINATES GREEN INDICATOR
DC NEG FROM POWER SUPPLY	-	ZONE 2	L2	+V OUT WHEN RESPECTIVE SWITCH ON-CONNECT FAIL SAFE LOCK
+V FROM RESET (PREWIRED)	R		E2	+V OUT WHEN SWITCH OFF/FAIL SECURE LOCK +V IN SHUNTS VIOLATION (LEGAL RELEASE)
+V TO SONALERT (PREWIRED)	A	ZONE 3	S3	+V IN ILLUMINATES GREEN INDICATOR
+V IN DRIVES YEL. LED #1 (AM OPTION)	Y1		L3	+V OUT WHEN RESPECTIVE SWITCH ON-CONNECT FAIL SAFE LOCK
+V IN DRIVES YEL. LED #2 (AM OPTION)	Y2	E3	+V OUT WHEN SWITCH OFF/FAIL SECURE LOCK +V IN SHUNTS VIOLATION (LEGAL RELEASE)	
+V IN DRIVES YEL. LED #3 (AM OPTION)	Y3	ZONE 4	S4	+V IN ILLUMINATES GREEN INDICATOR
+V IN DRIVES YEL. LED #4 (AM OPTION)	Y4		L4	+V OUT WHEN RESPECTIVE SWITCH ON-CONNECT FAIL SAFE LOCK
+V TO PULSING SONALERT (PREWIRED)	AY		E4	+V OUT WHEN SWITCH OFF/FAIL SECURE LOCK +V IN SHUNTS VIOLATION (LEGAL RELEASE)

TERMINALS "+1, +2, +3, +4": They constitute the +V inputs for zones 1, 2, 3, and 4. In most installations, these four terminals wire directly to the +V output of the power supply and are therefore jumped together. The fact that they are separate on the board, however, allows the use of upstream switches to individual zones.

TERMINAL "-": This is the DC negative input for the board.

TERMINAL "R": This is the violation reset input. It is prewired through a momentary N.O. toggle reset switch. When the Sonalert sounds, accompanied by a red indicator, the violation condition (lock not secure when it should be) has occurred. Once the violation condition has been corrected, the Sonalert will continue to sound as this is a latching condition. Pressing the reset toggle supplies +V into this terminal and the condition will reset. All R terminals on all the board used in the panel are wired together. A single reset toggle serves to reset a violation on any board in the entire panel.

TERMINAL "A": This prewired output supplies +V to drive the Sonalert when a violation condition has occurred (after a 2 second delay). All A terminals from all panel boards are wired together so that any of them can operate the single Sonalert.

TERMINALS "Y1, Y2, Y3, Y4": These input terminals are only active if the AM option has been supplied. With the option, a second (yellow) LED will be mounted adjacent to the standard bicolor. When the respective "Y" terminal receives +V, the yellow LED will illuminate. This is used to annunciate any condition monitored from a dry contact closure or voltage signal. Most commonly, the yellow LED annunciates the beginning of delayed exit for a door but other purposes are possible.

TERMINAL "AY": This is a +V voltage output that is on when any Y terminal is on (illuminating the yellow LED). It is active **only when the AM option is supplied**. It is prewired to drive a pulsing Sonalert so that when any yellow LED illuminates, it will be annunciated with a distinctive sound. With multiple boards in a panel, all AY terminals wire together with a single wire from any one going to the pulse Sonalert input. If the user wishes to disable the AY audible alert, this single wire may be cut.

TERMINALS "S1, S2, S3, S4": These input terminals illuminate the green side of the respective zone bicolor LED when they receive +V. They are connected to lock or door status output such that closed or +V = secure for the zone. In the normal condition of the panel, the zones are secure, the bicolor LED's show green and the S terminals receive +V.

TERMINALS "L1, L2, L3, L4": These terminals supply +V when the respective toggle switch is in the on position (points toward the LED). They are connected to fail safe locks. If fail secure locks are employed, these terminals are used only when status or remote release switches are present on the zone. The L terminals are used to power the switch commons.

TERMINALS "E1, E2, E3, E4": These terminals are both an input and an output. When the respective toggle switch is off (points away from the LED), the terminals supply +V to release a fail secure lock. At the same time, the yellow indicator in the toggle switch bat illuminates (this annunciates "legal release" of the lock). Also the violation condition of the zone is shunted. While the lock is legally released (toggle off; bicolor off; toggle bat yellow LED on), the zone will not violate. As the lock status input (S terminals) reports insecure (since the lock has been released), the green bicolor indicator will go off but the red side will not come on as would be the case if the respective E terminal did not have +V on it.

As stated above, turning the toggle off puts +V on the E terminal. The same can be accomplished from a remote switch. If, for instance, a remote release switch sends power to a fail secure lock, it will "legally" release. This will input power to the E terminal as it is already connected to the lock. The yellow indicator in the toggle bat will light up even though the toggle remains in the on position and the violation condition will be shunted.

Annunciating legal release and shunting zone violation is also accomplished with a fail safe lock. The fail safe lock connects to the L terminal. A remote SPDT switch can legally release it. The common and NC contacts break power to the fail safe lock, but the NO contact is wired back to the E terminal. When the fail safe lock is therefore remotely released by this switch, the respective E terminal receives +V and the toggle bat indicator lights up annunciating the condition and shunting the violation.

4. WIRING

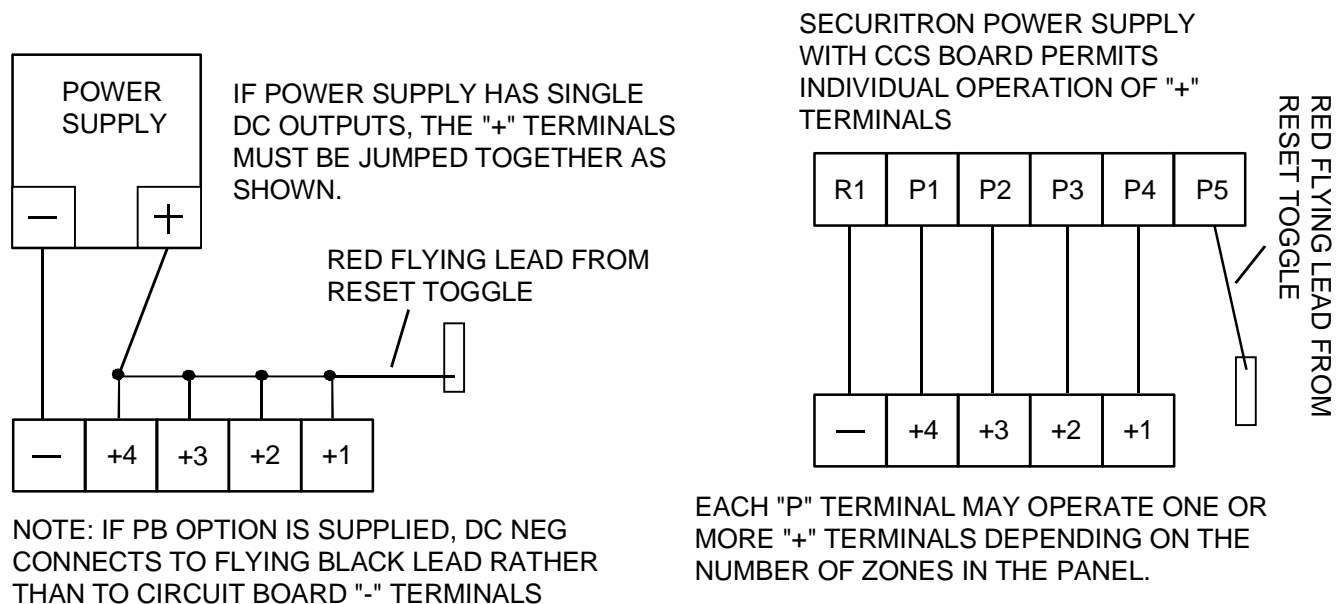
4.1 POWER INPUT WIRING

The board requires a source of DC voltage which it distributes to the locks. +V from the power supply is input to terminals +1, +2, +3 and +4. If the power supply you are using has a single DC output, the +1 through +4 terminals should be jumped together. They are individually used if the power supply has multiple breakered outputs or if you are employing upstream switches to deactivate any of the panel zones. Negative voltage from the power supply is always input to terminal "-". Note that **four** wires are typically required to be run to each door unless Securitron's XDT board is being used in a delayed exit installation. Then **six** wires are required.

Figure 2, below, shows the hookup where you jump together the positive terminals (on the left) and use of the positive terminals individually with a Securitron power supply that employs a CCS

board. The CCS board provides multiple, current limited two Amp outputs on terminals marked P1, P2 etc. The advantage of using these individual outputs as shown on the right of Figure 2 is that any short circuit in the downstream wiring will take out only one of the breakers on the CCS board and the rest of the installation will continue to operate. Use of a multiple output Securitron power supply materially increases the reliability of the installation and is therefore recommended. Note however that you can always **add in-line fuses or breakers** to any single output power supply to create the effect of the Securitron supply with CCS board.

FIG. 2: POWER SUPPLY TO LCP BOARD WIRING



On both examples shown in Figure 2, note that there is a **red flying lead** from the underside of the reset toggle. This wire simply supplies +V to the toggle common and then, when the spring loaded toggle is pressed, +V is input to the "R" terminal of the board which is used to reset the violation alarm function. The red flying lead **requires constant +V** so that the panel violation alarm can always be reset. The reason why the factory doesn't connect this wire is that when individually breakered outputs or 'upstream' switches are used to operate the "+" terminals on the board (shown on the right of Figure 2), constant +V cannot be guaranteed to any "+" terminal. Therefore, as Figure 2 shows, when you have only a single source of +V, connect the red flying lead to any of the "+" terminals (they will all get constant power). When you can employ individually breakered +V outputs (right side of Figure 2), connect one of the breakers separately to the red flying lead in order to guarantee that it will always have power on it. Supposing that you have to choose between putting two panel zones on one breakered "P" output terminal or sharing a breakered "P" terminal between a panel zone and the red flying lead, it is better to do the former. The panel user will expect to always be able to reset a violation alarm even if one of the panel zones is de-powered from a short circuit or other condition.

Note that often the number of panel zones exceeds the number of "P" terminals in the power supply. Each "P" terminal can power multiple "+" input terminals so long as the current rating of the "P" terminal is not exceeded. This in turn depends on the voltage and the type of lock being

controlled by the panel zone. Not also that Securitron can supply additional breakered output boards for the power supply (part #CCB-8).

If the **"PB" option** is supplied, (see Sections 2.2 and 5.2) power supply DC neg does not connect to the "-" terminals on the boards but rather to a flying black lead coming from the push button switch. Note that the board "-" terminals will all be pre-wired to the button when this option is present. Pressing the button breaks DC negative which releases all fail safe locks. The button does not break +V so as to preserve the capability of multiple breakered inputs.

Finally, note that for a standard board, the 12 position terminal strip that includes the four "+" terminals and "-" **requires field wiring to only these terminals**. The other terminals on the strip are either prewired (R and A) or used only if options are supplied (see section 5 for option wiring). All the rest of the field wiring is on the second 12 position terminal strip that includes the S, L, and E terminals for zones 1 through 4. If the panel has been delivered in a wall mount NEMA 1 cabinet, the installer does not wire directly to the boards but rather to a channel mount terminal strip in the base of the enclosure. The terminal identification, however, is the same.

4.2 FAIL SAFE LOCKS

Figure 3 shows 5 different ways of wiring fail safe locks to the panel board. The exact wiring done will depend upon the equipment utilized and the requirements of the job. All panel to lock wiring concerns only 3 panel terminals: S, L and E for the respective zone (4 zones per board). Check the description of each wiring method to see which (if any) applies to your installation. Later in the manual, other typical wiring schemes will be shown.

TYPE 1 FAIL SAFE

The type 1 drawing is the simplest. It utilizes a fail safe lock controlled directly by the panel with no other release devices employed. **No lock or door status monitoring** switch is used.

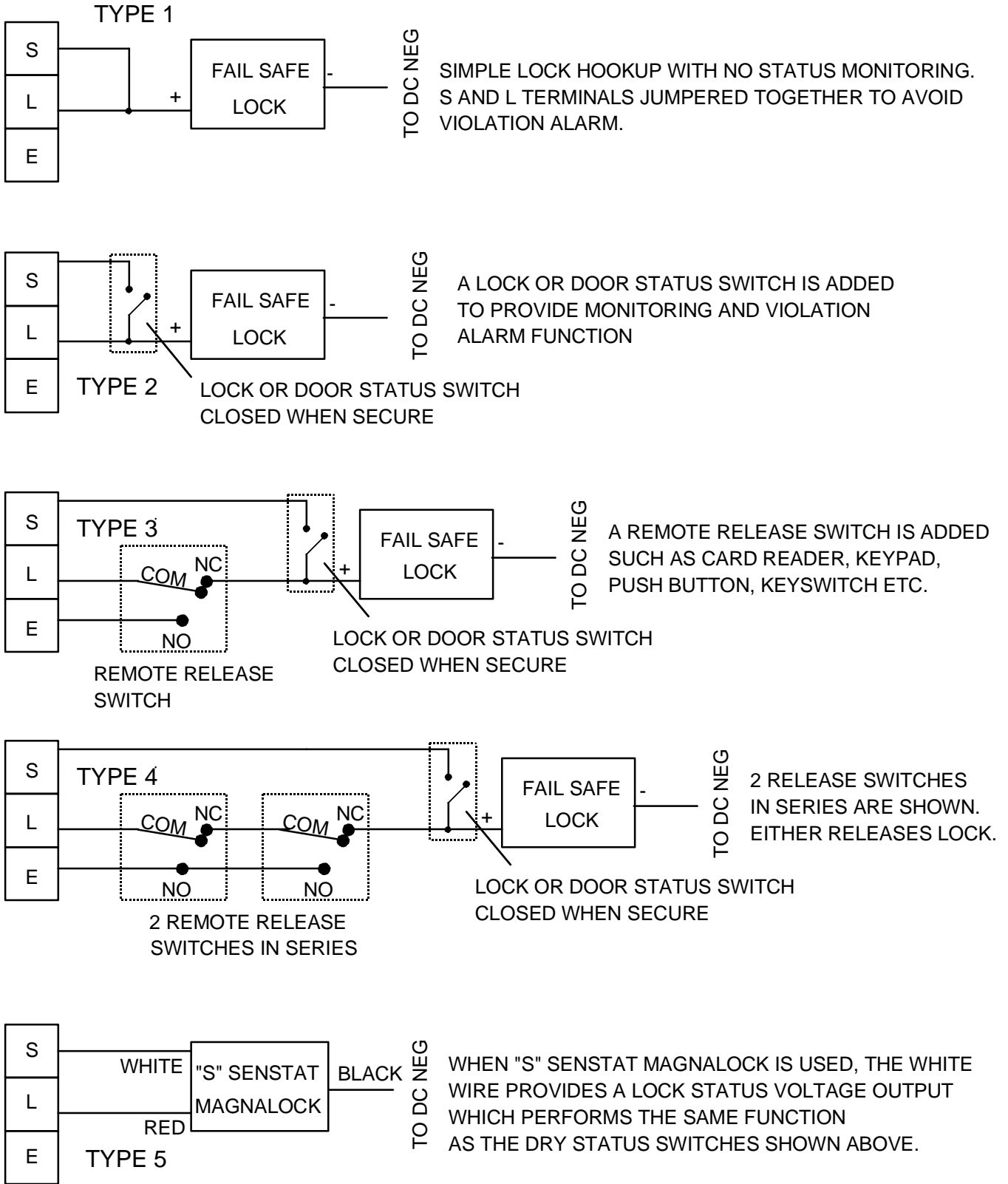
As the drawing shows, lock power comes from the L terminal and the S terminal is connected to the power wire at the lock. With this connection, when the lock is powered, the S terminal will receive +V which will illuminate the green side of the bicolor LED. When the lock is released from the panel toggle, the bicolor will be off and the toggle bat yellow LED will come on. Since the door is not monitored, the red violation LED should never come on and sound the Sonalert. An exception would be if the power wire to the lock was cut so that +V could not reach the S terminal when the lock is powered.

TYPE 2 FAIL SAFE

This connection employs a **lock or door status switch** which is closed when the lock or door is secure. Lock status provides superior security as the door can be closed but the lock may not be fully secure. The status switch connects to the S terminal and therefore illuminates the green side of the bicolor when the door is secure. When the lock is released from the toggle, power is removed from the status switch so the green indicator goes out and the yellow toggle bat indicator comes on. If, however, the status switch opens (because the lock becomes insecure or the door is open) at a time when the lock is powered, this is the violation condition and after a 2 second delay, the bicolor will turn red and the Sonalert will sound. After the door has been resecured, the bicolor will show orange as both the red and green sides will be on. The panel is then reset by momentarily pressing the reset toggle. This will extinguish the Sonalert and restore green condition on the indicator.

On some installations, both a lock and door status switch may be employed. They should be connected in series so that the lock must be reporting secure and the door must be closed before the green indicator will come on. In theory the lock status switch cannot report secure if the door is open. However, combining the 2 switches enhances security in case the lock status switch fails or is tampered with.

FIG. 3: FAIL SAFE LOCK CONNECTIONS



TYPE 3 FAIL SAFE

This is the most common configuration. The status switch is still present but a **remote release switch** such as a card reader, digital keypad, keyswitch, switch equipped panic bar, or Securitron's Touch Sense Bar is present at the door. The lock can be released from the panel toggle or from this remote switch. When the remote switch is used, the panel will announce "legal release" just as if the toggle was used (bicolor off and toggle bat yellow LED on). The NC contacts of the remote switch release the lock but the NO contact inputs +V to the E terminal. When +V is on the E terminal, the toggle bat yellow LED comes on and the violation condition is shunted. The bicolor turns off as the status switch won't supply +V to the S terminal when the lock is released. When the remote switch repowers the lock, +V is removed from the E terminal (yellow toggle bat LED turns off). The green indicator must come on within 2 seconds (lock secures or door closes) or the violation condition will occur and the bicolor will turn red.

Note that an SPDT remote switch is necessary for this connection and the contacts must be dry. Many remote switches such as card readers, digital keypads or Securitron's Touch Sense Bar require power. They should receive **constant power with their contacts left dry** to connect as shown in the Type 3 drawing. Power is most easily furnished from the associated "+" terminal for the zone. See section 4.4 for an example of powering a switching device at the door.

TYPE 4 FAIL SAFE

This is the same as Type 3 except that **2 remote switches are in series**. An example would be a card reader for entry and a push button for exit. The SPDT contacts of each remote switch are connected in NC series as shown so that either switch can release the lock. The NO contacts are tied together so that when either switch releases the lock, the respective NO contact inputs +V to the E terminal which announces legal release. Any number of remote switches may be connected in this manner. Note that many remote switches such as card readers, digital keypads or Securitron's Touch Sense Bar require power. They should receive **constant power with their contacts left dry** to connect as shown in the Type 4 drawing. Power is most easily furnished from the associated "+" terminal for the zone. See section 4.4 for an example of powering a switching device at the door.

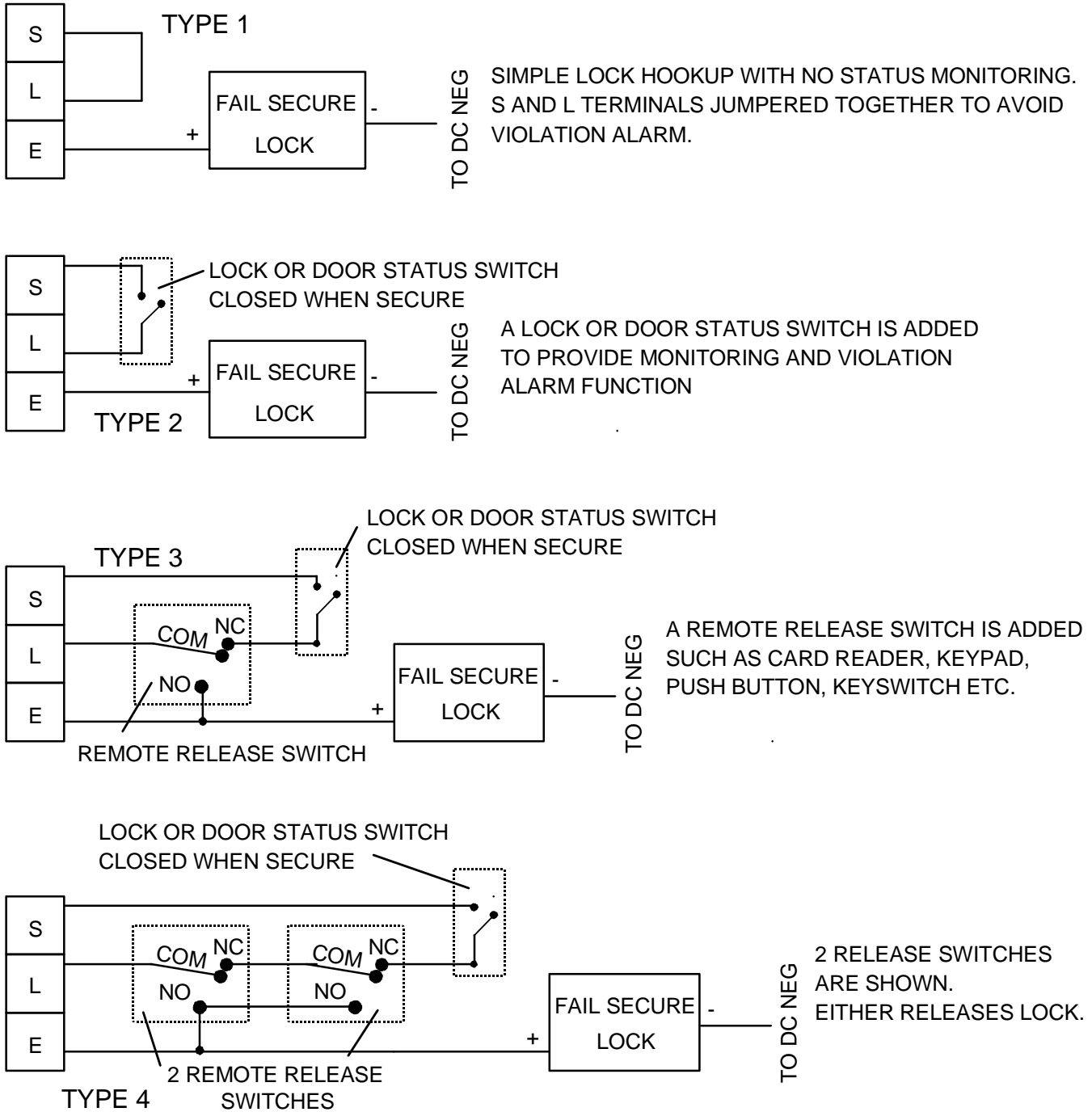
TYPE 5 FAIL SAFE (MAGNALOCK)

This drawing shows the specialized use of Securitron's "S" Senstat Magnalock. This version of the Magnalock incorporates a lock status sensing voltage output which replaces the status switch as shown in Types 2, 3 and 4. When the Magnalock is secure, the white wire outputs +V which then directly inputs to the S terminal to illuminate the green side of the bicolor. Naturally, the Magnalock can be combined with remote release switches as shown in the Type 3 and 4 drawings.

4.3 FAIL SECURE LOCKS

Figure 4 shows 4 different ways of wiring fail secure locks to the panel board. The exact wiring done will depend upon the equipment utilized and the requirements of the job. All panel to lock wiring concerns only 3 panel terminals: S, L and E for the respective zone (4 zones per board). Check the description of each wiring method to see which (if any) applies to your installation. Later in the manual, other typical wiring schemes will be shown.

FIG. 4: FAIL SECURE LOCK CONNECTIONS



TYPE 1 FAIL SECURE

The type 1 drawing is the simplest. It utilizes a fail secure lock controlled directly by the panel with no other release devices employed. **No lock or door status monitoring** switch is used.

As the drawing shows, lock power comes from the E terminal and the S terminal and L terminal are jumpered together. With this connection, when the lock is unpowered (secure), the S terminal will receive +V from the L terminal which will illuminate the green side of the bicolor LED. When the lock is powered (released) from the panel toggle, the bicolor will be off and the toggle bat yellow LED will come on. Since the door is not monitored, the red violation LED should never come on and sound the Sonalert.

TYPE 2 FAIL SECURE

This connection employs a **lock or door status switch** which is closed when the lock or door is secure. Lock status provides superior security as the door can be closed but the lock may not be fully secure. The status switch connects between the L and the S terminal and therefore illuminates the green side of the bicolor when the door is secure. When the lock is released (powered) from the toggle, power is removed from the status switch so the green indication goes out and the yellow toggle bat indicator comes on. If, however, the status switch opens (because the lock becomes insecure or the door is open) at a time when the lock is unpowered, this is the violation condition and after a 2 second delay, the bicolor will turn red and the Sonalert will sound. After the door has been resecured, the bicolor will show orange as both the red and green sides will be on. The panel is then reset by momentarily pressing the reset toggle. This will extinguish the Sonalert and restore green condition on the indicator.

In some cases, both a lock and door status switch may be used. They should be connected in series so that the lock reports secure and the door is closed before the green indicator comes on. In theory lock status can't report secure if the door is open. However, combining the 2 switches enhances security in case the lock status switch fails or is tampered with.

TYPE 3 FAIL SECURE

This is the most common configuration. The status switch is still present but a **remote release switch** such as a card reader, digital keypad, or keyswitch is present at the door. The lock can be released from the panel toggle or from this remote switch. When the remote switch is used, the panel will annunciate "legal release" just as if the toggle was used (bicolor off and toggle bat yellow LED on). The NO contacts of the remote switch release the lock by powering it. Note that the NC contacts of the release switch feed the common of the lock/door status switch. This is to make sure the green indicator goes out (+V removed from S terminal) when the lock is legally released from the remote switch. If a door status switch was used, it would remain closed (green light on) until the door was actually opened. We prefer to show "legal release" (bicolor off) as soon as the remote switch is used. This is clearer for the panel operator. When the remote switch resecures the lock, +V is removed from the E terminal (yellow toggle bat LED turns off). The green indicator must come on within 2 seconds (lock secures or door closes) or the violation condition will occur and the bicolor will turn red.

Note that an SPDT remote switch is necessary for this connection and the contacts must be dry. Many remote switches such as card readers, or digital keypads require power. They should receive **constant power with their contacts left dry** to connect as shown in the Type 3 drawing. Many remote switches such as card readers, digital keypads or Securitron's Touch Sense Bar require power. They should receive **constant power with their contacts left dry** to connect as shown in the Type 3 drawing. Power is most easily furnished from the associated "+" terminal for the zone. See section 4.4 for an example of powering a switching device at the door.

There are a number of things to consider about this drawing. The main point is to show that a powered switching device at the door should preferably draw constant power from the LCP board power terminals (assuming the device isn't receiving separate power). It would be possible as an alternate method to provide power to the DK-26 from the LCP board "L" terminal (which now only goes to terminal C1 of the DK-26). When the toggle is used to release the lock, power will be off the "L" terminal. The fail safe Magnalock will release but the DK-26 will lose power. This will work and does eliminate a wire in the run from the panel to the door but it reduces the reliability of powered switching devices to have power turned off and on many times each day so the alternate method is not preferred.

4.5 WIRING UNUSED ZONES

If the panel has zones that are not presently wired to locks, steps must be taken to avoid going into violation as there will be no zone secure signal from an unwired zone. Simply connect the E terminal from all unwired zones to the respective board "+" terminal. The E terminal will receive constant +V which will keep it in a state of "legal release" (bicolor off; toggle bat indicator on).

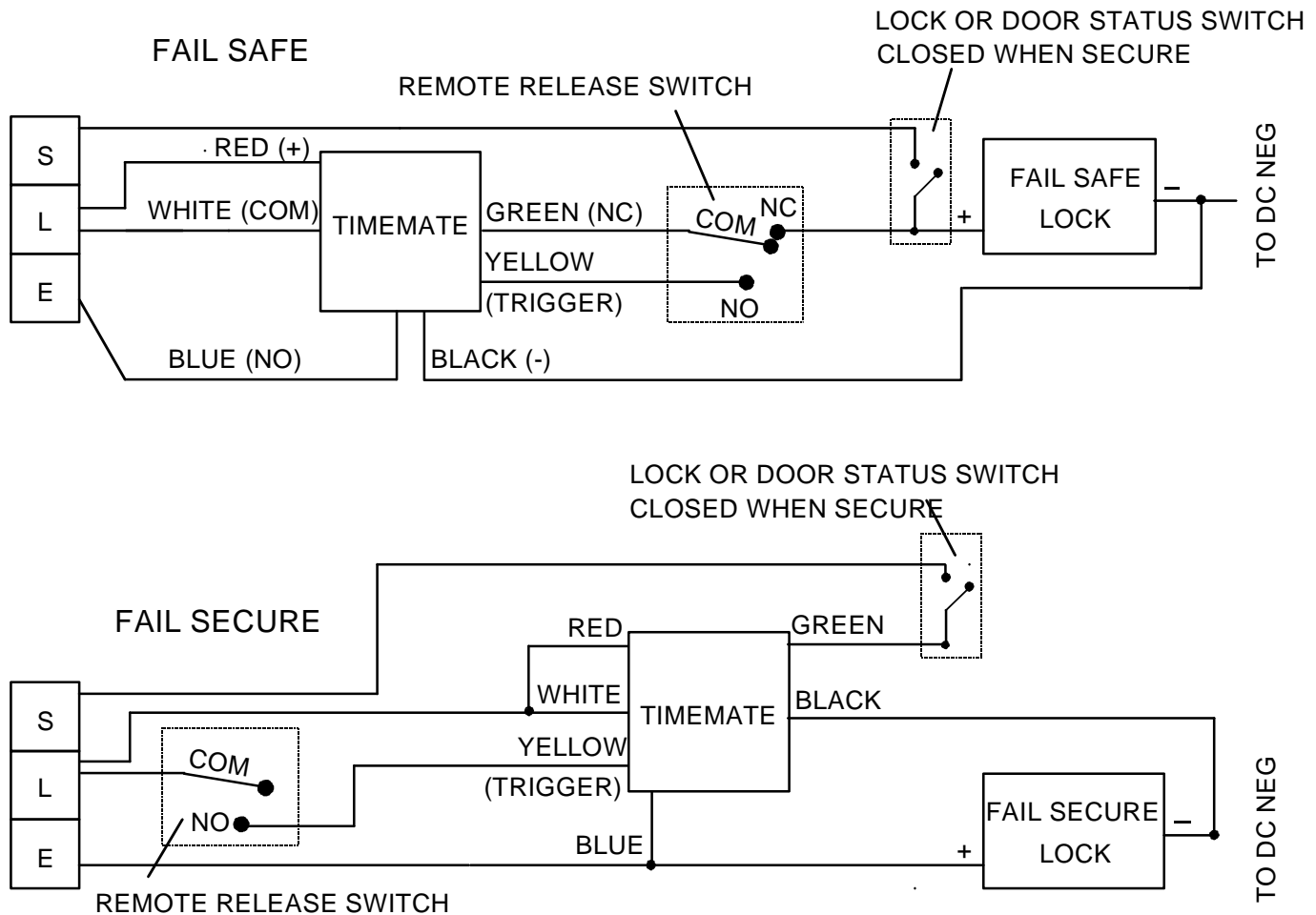
4.6 WIRING WITH RELEASE HOLD TIMER (FAIL SAFE AND FAIL SECURE)

Another common requirement is that the remote release switch at the door will activate a release hold timer which, in turn, releases the lock. Examples would be a momentary keyswitch or push button which activates the timer. The person using the door turns the key or pushes the button. The timer then opens the door for approximately 5 seconds which is enough time for the individual to conveniently move through the door. Numerous manufacturers make this type of timer which may be termed a "release hold" timer as it releases the lock and holds the release for an amount of time. Such timers are also called "off delay" timers. In selecting the timer, the requirements are that it has an SPDT relay output and that it operates on the panel DC voltage.

A functional hookup can be derived from Figure 3 or 4 once it's realized that the timer relay contacts take the place of the remote release switch contacts. Figure 6, however, shows connections that are particularly effective for timer installations and which may not be obvious. The first drawing in Figure 6 shows the **hookup for a fail safe lock** with timer activated by a momentary remote release switch. Securitron's TimeMate timer is used as an example but timers from other manufacturers will usually have the same terminals and connection scheme.

Referring to the drawing, note that the timer is powered (red=+ in) from the L terminal. When the remote switch is activated, +V is input to the yellow (trigger) wire of the timer. This energizes the timer relay which breaks power to the lock (white=com; green=NC). The timer blue wire (NO) inputs +V to the E terminal which annunciates legal release until the timer times out and reenergizes the lock. Note finally that when the remote switch activates the timer, **it also removes power from the timer common**. We call this a double break connection. Were the timer to experience a fault, the door could still be used by activating the remote switch with one hand and pushing open the door with the other. This allows use of the door until the timer can be replaced. As always, if the lock is an "S" Senstat Magnalock, the white wire connects directly to the panel S terminal replacing the lock/door status switch

The second drawing in Figure 6 shows the **hookup for a fail secure lock** with timer activated by a momentary remote release switch. Securitron's TimeMate timer is used as an example but timers from other manufacturers will usually have the same terminals and connection scheme.

FIG. 6: FAIL SAFE/FAIL SECURE TIMER CONNECTIONS

Referring to the fail secure drawing, note the timer is powered (red= + in) from the L terminal and that the timer relay com (white) also receives +V from this source. The remote release switch momentarily inputs +V to the timer trigger (yellow) which energizes the timer relay and powers (releases) the fail secure lock via the timer's NO contact (blue). This also inputs +V to the E terminal thereby annunciating legal release at the panel. The timer's NC contact (green) breaks +V to one side of the lock/door status switch insuring that the green panel indicator will go out when the lock is released from the timer.

4.7 REMOTE INDICATOR WIRING

Remote switches used at the door often have single or double (bicolor) indicators. The indicators ought to be wired in such a way as to aid proper use of the door by individuals authorized to employ the remote switches. To operate, naturally the indicators have to employ the panel DC voltage. Usually, they are LED indicators. If they are incandescent, be sure that the cumulative effect of the indicators does not overload the power supply.

If a single indicator is available at the door, we advise that it be wired to the zone S terminal. When the door is secure, the indicator will be on. Persons passing the door will be assured that

"the system is working". When the release switch is used, the indicator will go out which will prompt the individual to go through the door.

If two indicators are present, one should be wired to the zone S terminal and the other to the zone E terminal. This creates a lamp switching effect which provides more positive prompting for door use. As an example, suppose a green and red indicator are present on a push button plate. With the green indicator wired to the S terminal, green will annunciate the normal (secure) condition of the door. This is the same as the panel green indication. With the red indicator wired to the E terminal, it will come on whenever the lock is legally released from either the remote switch or the panel toggle. This provides a strong prompt for use of the door. If a release hold timer is in the installation (section 4.5), the red indicator will come on for the amount of time set on the timer. Any time that both indicators are out will show that the door is in violation (the panel Sonalert will be on). If indicators are present on more than one switch (an example would be an entry keyswitch and exit button) they should be wired in parallel so that the annunciation is the same from both sides of the door.

4.8 AC LOCK CONTROL

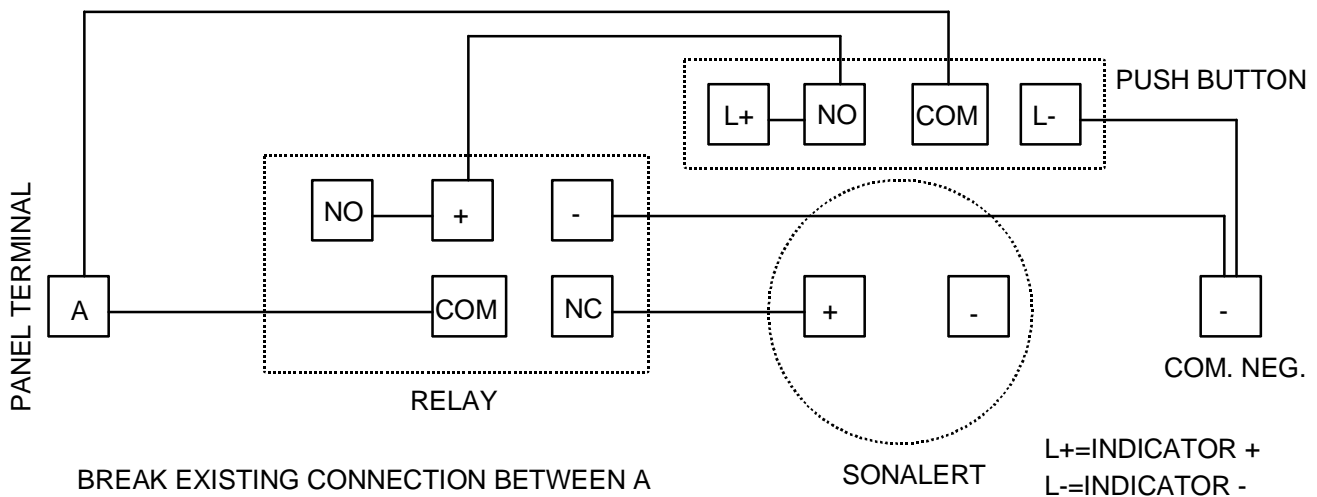
Many electric locks are intended for operation on 12 or 24 volts AC. The panel, however, only operates on DC and cannot supply AC from its toggle switch control outputs. Most electric locks which operate on AC will also operate on DC, so the installer should check this point. If, however, the locks must operate on AC or on a voltage other than 12 or 24, this can only be done by using the panel to energize and deenergize relays which operate on the panel voltage. The relay contacts will then switch the "foreign" lock voltage from a second power supply. This technique is the same that must be employed if the locks draw more than 1.5 Amps current.

5. OPTION WIRING

5.1 SILENCE LATCH WIRING (OPTION "SL")

FIG. 7: FIELD INSTALLATION OF SILENCE LATCH

FIG. 5: FIELD INSTALLATION OF SILENCE LATCH



BREAK EXISTING CONNECTION BETWEEN A AND SONALERT +. INSTALL BUTTON AND RELAY AS SHOWN. SONALERT NEGATIVE ALREADY WIRED.

The silence latch is entirely prewired. However, if the panel that has been supplied was ordered without a silence latch, one can be added comparatively easily in the field. The components required are an SPDT relay of the panel voltage and an illuminated normally open momentary switch with an indicator that also operates on the panel voltage.

Figure 7 shows the circuit. The prewired connection between the Sonalert + input and one of the A terminals is broken with the components wired in as shown in the drawing. In a violation event, +V appears on terminal A. This operates the Sonalert through the COM and NC relay terminals. When the push button is pressed, it energizes the relay which latches in through its NO contact. This shuts off the Sonalert and illuminates the push button indicator. When the violation is cleared, +V is removed from terminal A and the silence latch resets, ready for the next violation event.

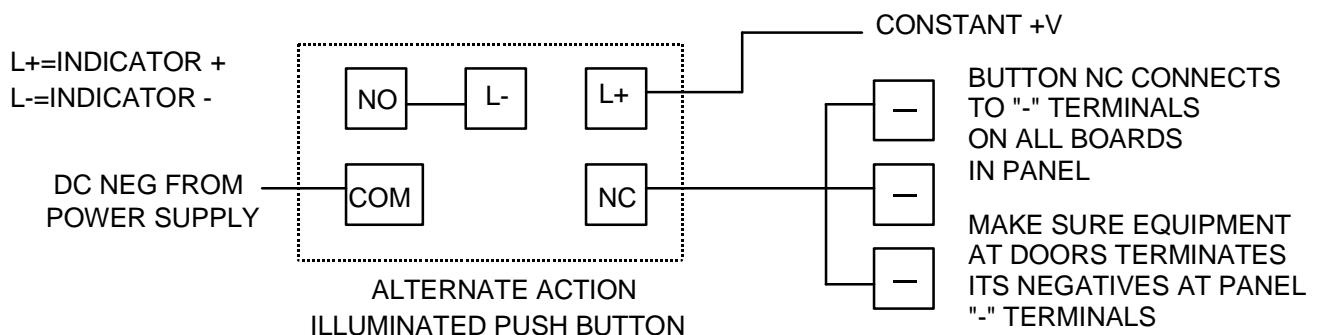
5.2 EMERGENCY RELEASE WIRING (OPTION "PB")

The PB option is factory supplied for use only with fail safe locks. Normally fail secure locks are not used in a safety type situation where emergency release is desired. The only wiring change from a standard panel is that the negative terminals of all the boards "-" are already wired to the push button. **A single black flying lead emerges from the push button and DC negative external power of sufficient capacity to operate the entire system should be connected to this black wire.** When the button is pressed, all DC power will be broken which will immediately release all the locks. Make sure you **terminate the lock negative wires at the panel "-" terminals** rather than directly back to the power supply or the push button break will not work. At the same time, the button will illuminate red. Pressing the button a second time will restore power.

The reason that the PB option is set up to break the negative circuit instead of the positive is to preserve the ability to run separate +V inputs to each board zone. This can allow separately breakered inputs from a Securitron power supply or the installation of upstream switches.

If the present panel has been supplied without this options, it may be added in the field. Follow the connections shown in Figure 8. Be sure to **select a button with heavy enough contacts** to break all the DC power.

FIG. 8: FIELD INSTALLATION OF EMERGENCY RELEASE BUTTON



5.3 WIRING OF "AM" OPTION AND SECURITRON'S XDT BOARD FOR DELAYED EXIT

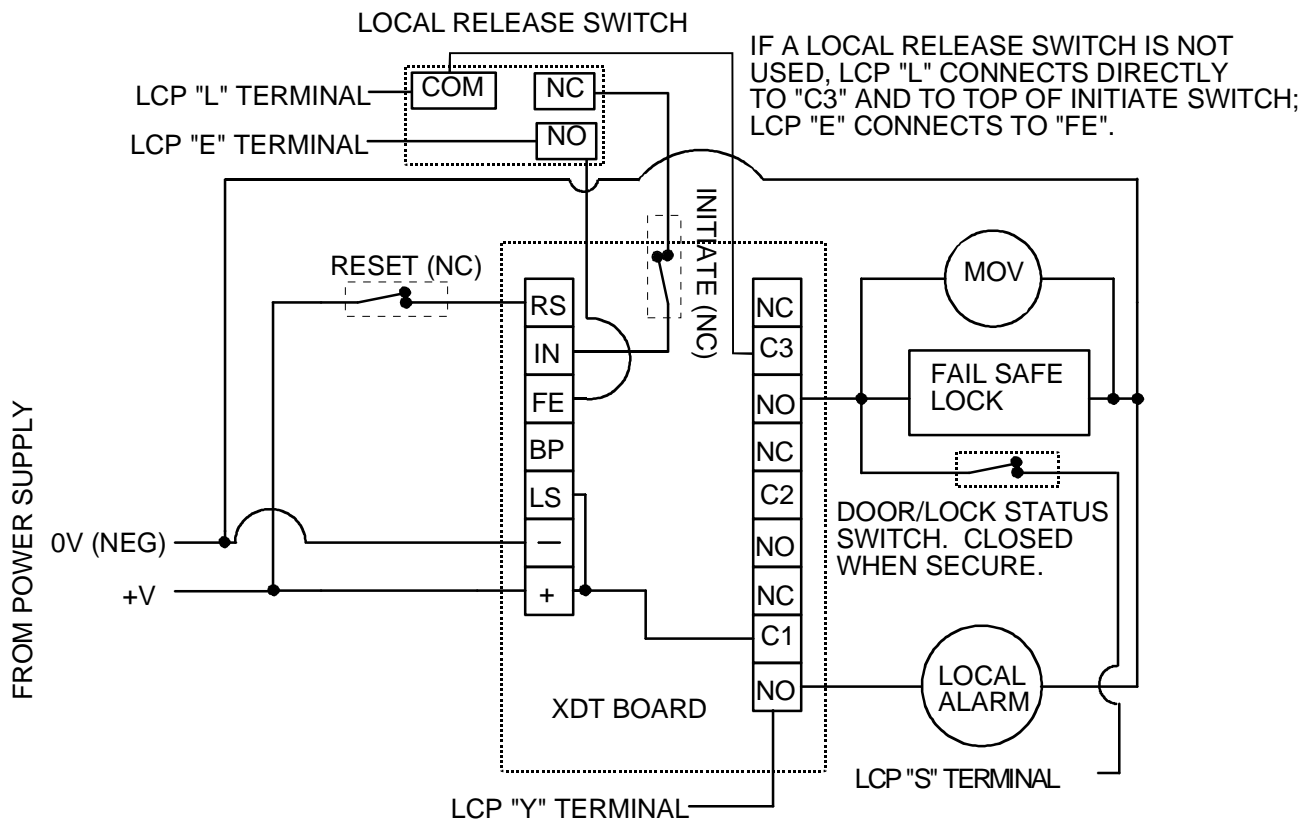
One of the most common uses of the AM option (extra monitoring lights with pulsing Sonalert) is for an exit delay installation (allowable only for fail safe locks). Such an installation complies with the NFPA Life Safety code as regards delayed exit (special locking arrangements) and typically incorporates multiple functions:

The locks may be immediately released by the associated panel toggle. Optionally, a remote release switch may be provided at the door such as a card reader, keyswitch etc. An exit device is provided for delayed egress. Pressing the exit device starts a 15 or 30 second irrevocable delay after which the lock releases. The lock remains released until reset by a switch (usually a keyswitch at the door).

Methods of interwiring the LCP board with the XDT timers at the door can become very complicated. The reason is that both products have been designed to perform numerous functions. Combining them therefore, can be done in a nearly endless number of ways. In so doing, it's easy to miss some point that can lead to improper operation, false alarms etc. One particular note is that if you employ the **KP1 or MK1 switch bypass option**, you will not completely bypass the toggles. The toggle itself will not open the door but (when depressed) will put the door into free egress mode rather than delayed exit mode. We advise **not using this option** with delayed exit.

To simplify this process, we advocate two different connection schemes which depend on whether the **bypass function** of the XDT board is to be used or not. The bypass function allows the use of a **momentary** switch closure to release the lock immediately for authorized entry or exit with the released state being held for five seconds. The bypass function not only provides the five second release time (and therefore replaces an outboard timer) but suppresses the XDT board's alarm outputs and delayed exit function during the 5 second period. Since the lock is being "legally" released, it's inappropriate to initiate a delayed exit sequence or send out alarm signals.

FIG. 9: GENERAL LCP/XDT CONNECTIONS WITHOUT USE OF BYPASS



Most installations do not require use of the bypass function. Even if there is a local authorized entry or exit device at the door, it will often have its own timed relay output. We believe that the LCP/XDT combination works more clearly when the **bypass function is not used** and therefore recommend employing the first connection scheme shown in Figure 9 where possible.

Figure 9 shows the general case of an LCP/delayed exit installation. Delayed exit takes place at the door as controlled by the initiate and reset switches. The LCP panel serves two functions. It releases the lock for authorized entry or exit and also monitors the door as follows:

In the normal (**secure**) condition, the main LED is green and no alarm sounds.

During the **nuisance delay and release delay** period, the main LED remains green but the "AM" LED illuminates yellow and a pulsing Sonalert sounds.

When the **lock releases at the end of the delay**, the yellow AM LED goes out. The main LED turns red and the steady Sonalert sounds.

When the lock has been **reset (relocked)**, the main LED turns orange and the panel reset toggle may be used to halt the Sonalert and restore the main LED to green.

When the lock is **released for authorized use** from the panel toggle or from a local release switch, the main LED turns off and the toggle bat illuminates yellow. No alarm sounds.

Note on the drawing that the local release switch may or may not be present. If no local release switch is used, LCP terminal "L" connects directly to XDT terminal "C3" and to the "top" of the initiate switch (the switch contact that does not connect to "IN"). LCP terminal "E" connects directly to XDT terminal "FE". If there is more than one local release switch, for authorized exit and entry for instance, the NC contacts of the two release switches would connect in series. The NO contacts would each connect to XDT terminal "FE".

There are a number of reasons for the particular wiring method in Figure 9. Note first the connection to terminal "FE" on the XDT board. Inputting +V to this terminal places the XDT board in "free egress" mode which means that the lock will release (relay #3 deenergizes), immediately whenever +V is removed from "IN". No delayed exit event will begin and the XDT board's alarm outputs are suppressed. This is the desired effect when either the panel toggle or a local release switch has "legally" released the lock.

Note also that the initiate switch is powered not directly from the power supply but rather through the local release switch. The rationale here is that "IN" should not be powered if either the local release switch or the panel toggle has released the lock. This permits use of the XDT board's "DC" terminal which can keep the lock secure after the delay has expired subject to use of the initiate device for immediate egress. When this function is employed, it is necessary that the local release switch or panel toggle can still unlock the door whether or not the initiate device is used.

A variation to Figure 9 occurs if you are not employing an LCP panel without the "AM" option. This presents the problem of how to annunciate the release delay period. To accomplish this, remove the jumper from terminal "LS" to +V. Then connect "LS" to the output of the door/lock status switch (no longer connect it to the LCP "S" terminal). Jump "C1" to "C2" and then connect NO2 to the "S" terminal. With this set-up, the remote alarm relay contact, NO2, will maintain the green LED on the panel in the secure condition. During a delayed exit event, relay #2 will deenergize at the end of the nuisance delay period and this will create an immediate violation alarm at the panel. The same alarm will occur after a five second delay if the door/lock status sensor reports insecure at any time it should be secure, if its output is connected to "LS".

While Figure 9 shows the general approach to wiring the AM version of the LCP into a delayed exit installation, Figure 10 shows a specific common example where all Securitron products are

used. An "S" Senstat Magnalock, Touch Sense Bar and MK keyswitch are employed in place of the generic fail safe lock, initiate device and reset device.

FIG. 10: LCP/XDT CONNECTION USING SECURITRON MAGNALOCK, TOUCH SENSE BAR, AND MK KEYSWITCH WITHOUT USE OF BYPASS FUNCTION

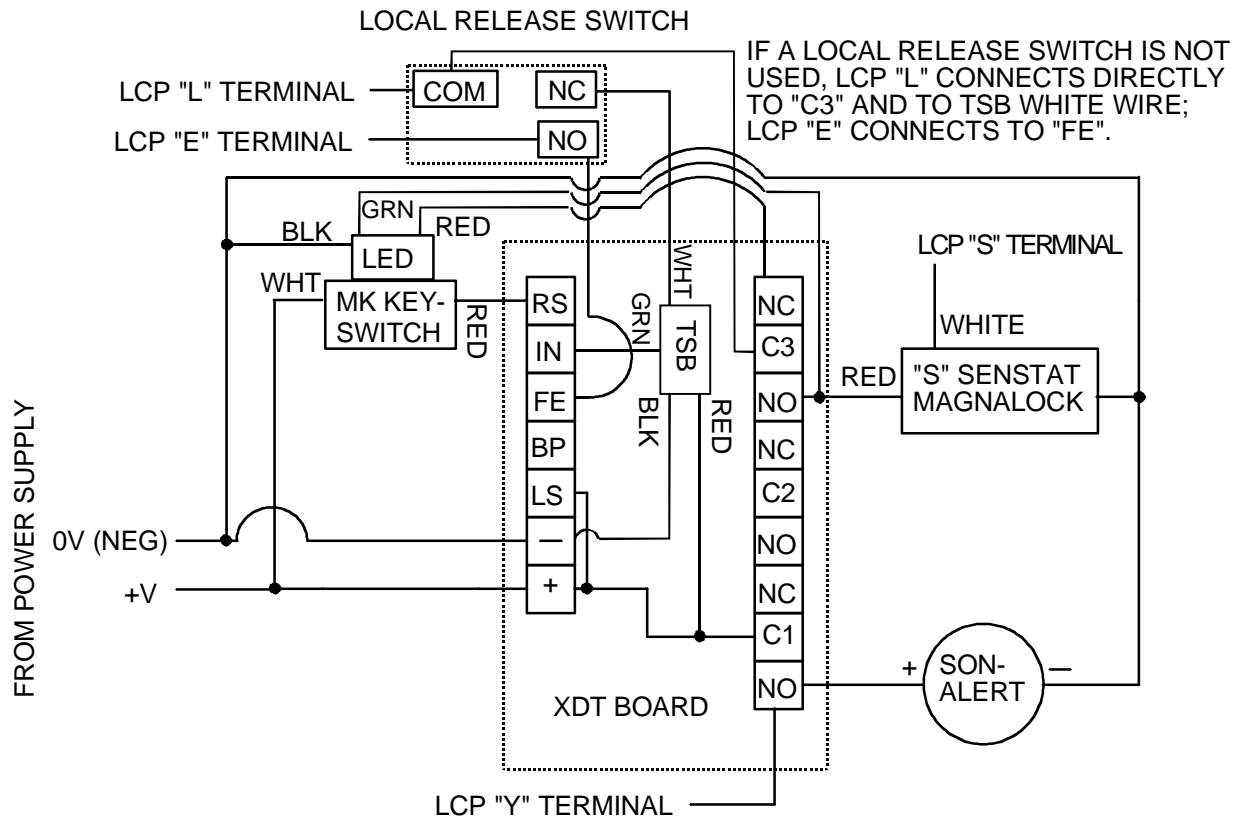
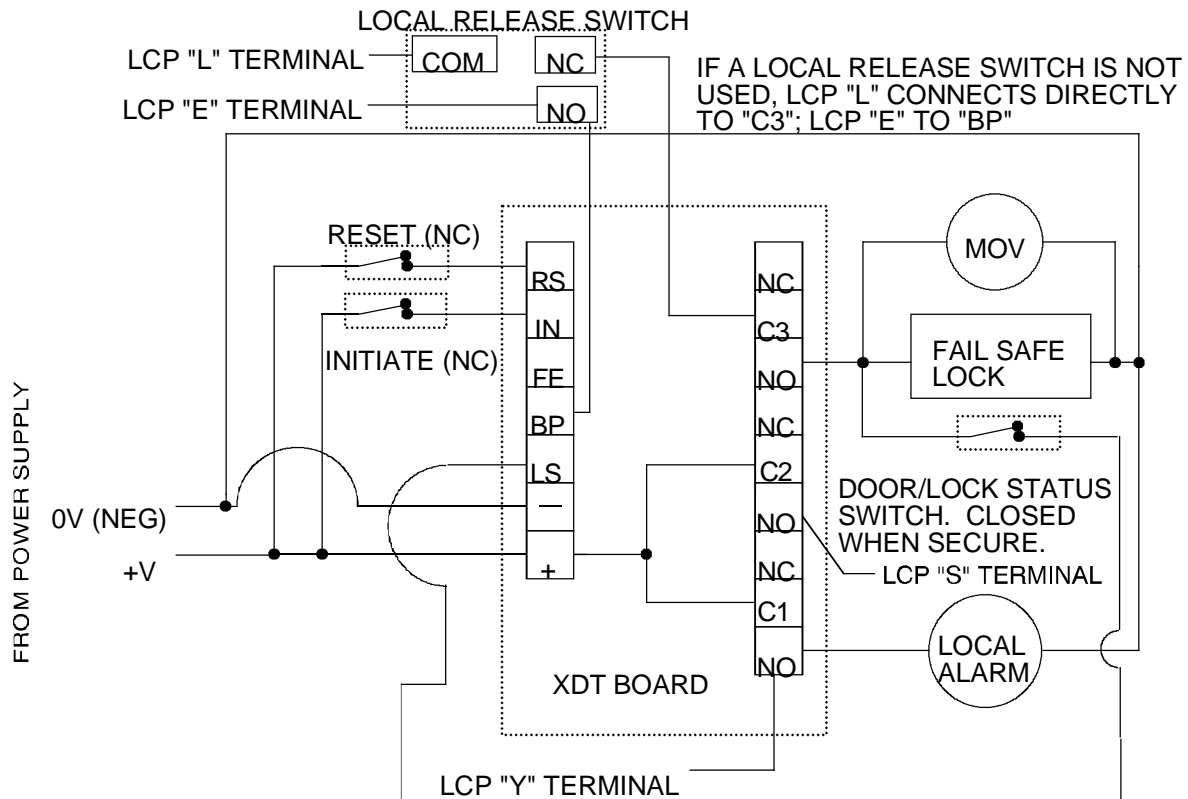


Figure 11 shows general wiring when the bypass input is used. This is typically because either the LCP is using momentary switches or the local release switch is momentary. The bypass input will release the lock without signalling any alarm for 5 seconds. Use of the bypass input makes substantial changes in the entire wiring scheme. The lock status or door status switch no longer reports directly to the panel but rather reports to the XDT board lock status input. The reason for this is to avoid causing the panel to alarm when bypass is used for legal release. The XDT's lock status monitoring function will continue to report secure to the panel when any board function has released the lock and for 5 seconds after it has resecured the lock. This delay permits a door to complete closing and allows the lock time to "pull in" before an alarm condition is created.

One particular note is that if you employ the **KP1 or MK1 switch bypass option**, you will not bypass the toggles. Use of the toggle will still send power out of the E terminal and from there to the BP terminal on the XDT board which will release the lock. Do **not use this option** with delayed exit.

FIG. 11: GENERAL LCP/XDT CONNECTIONS WITH USE OF BYPASS

When the XDT does report a lock status violation, it does so by deenergizing the remote alarm relay, so it is this relay's NO contact that reports in to the panel's "S" terminal. The remote alarm relay also deenergizes from the end of the nuisance delay period until the lock is reset during a delayed exit event so the panel's monitoring functions are altered from the ones discussed in the previous wiring scheme (without bypass):

In the normal (secure) condition, the main LED is green and no alarm sounds.

During the nuisance delay period, the main LED remains green but the "AM" LED illuminates yellow and a pulsing Sonalert sounds.

During the release delay period, the main LED turns red; the AM LED remains yellow and the steady Sonalert sounds.

When the lock releases at the end of the delay, the yellow AM LED goes out. The main LED remains red and the steady Sonalert continues to sound.

When the lock has been reset (relocked), the main LED turns orange and the panel reset toggle may be used to halt the Sonalert and restore the main LED to green.

When the lock is released for authorized use from the panel toggle or from a local release switch, the main LED remains green and the toggle bat illuminates yellow. No alarm sounds.

FIG. 12: LCP/XDT CONNECTION USING SECURITRON MAGNALOCK, TOUCH SENSE BAR, AND MK KEYSWITCH WITH USE OF BYPASS FUNCTION

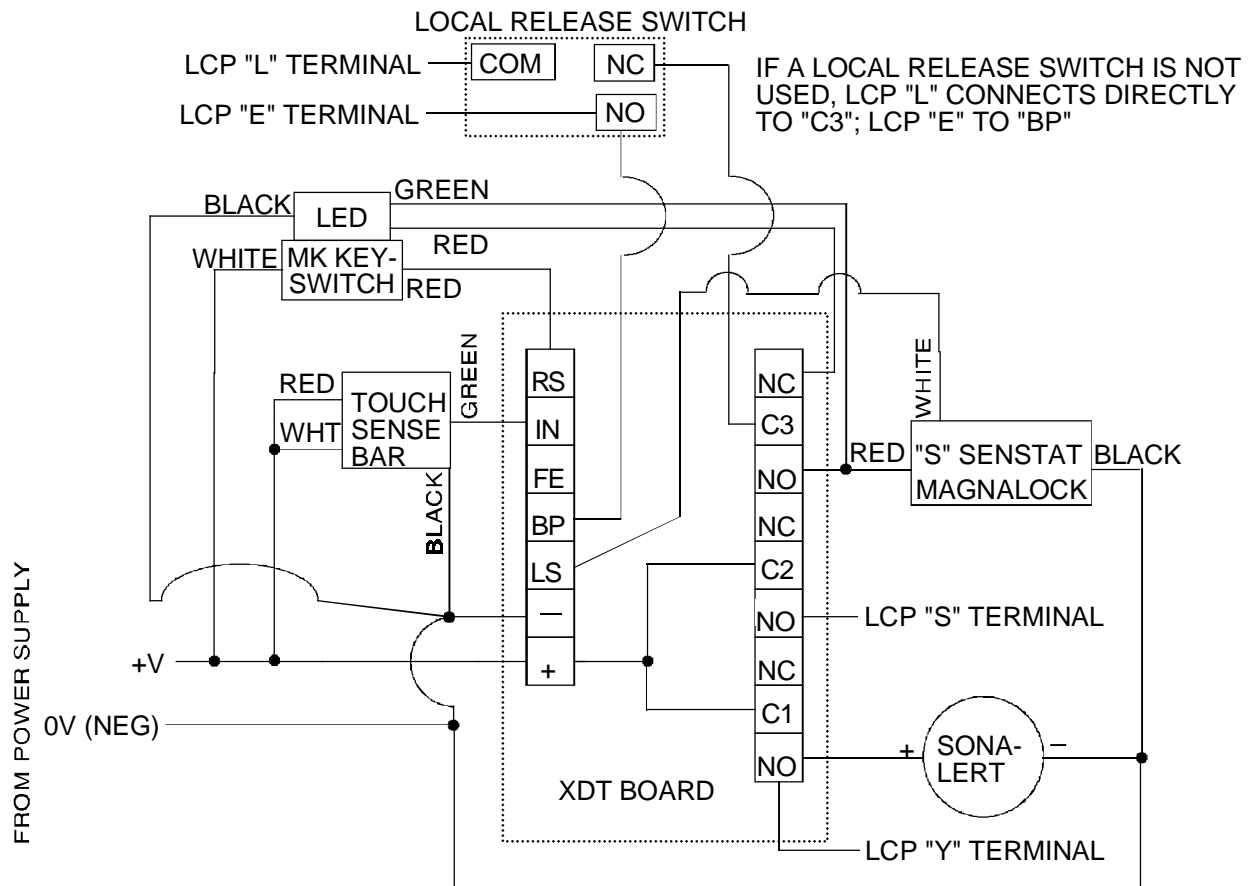


Figure 12 shows the same wiring scheme with specific Securitron products. Note a final point. Since the LCP is monitoring the XDT's lock status reporting function, it automatically receives a 5 second alarm delay. The XDT waits for 5 seconds before violating by deenergizing the remote alarm relay. The standard LCP panel has its own violation alarm delay controlled by the electrolytic capacitors on the panel boards. **There is no reason to have two alarm delays so remove the capacitors from the boards by clipping them off.**

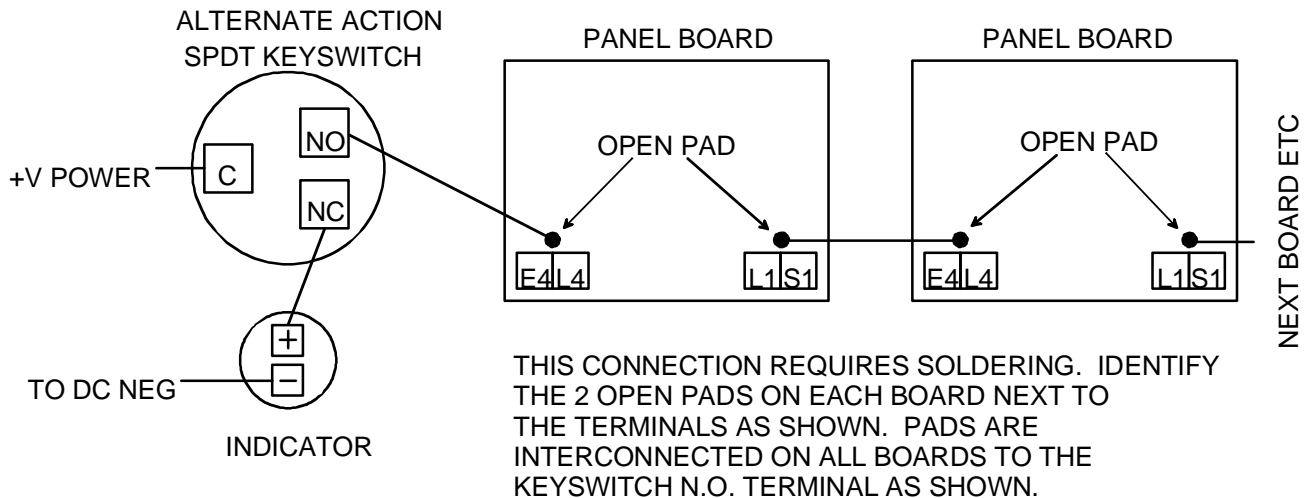
5.4 SWITCH BYPASS WIRING (OPTION "KP1" OR "MK1" FAIL SAFE LOCKS)

The option comes pre-wired for whichever type of keyswitch has been chosen. However, if the panel has been supplied without this option, it may be added in the field. Refer to Figure 13. When the keyswitch is in the NC position, the indicator is on and the panel functions normally. When the keyswitch is in the NO position, power is sent through diodes on the board to all of the L terminals. They will supply power regardless of the toggle switch position, so fail safe locks will be pinned secure with respect to toggle position until the keyswitch is again turned. The panel will continue to monitor normally and remote release of the locks is still possible.

As the drawing shows, proper connection requires soldering to open pads on the boards. The boards are "chained" together as shown so that all L terminal will be powered when the

keyswitch is in the NO position. Be sure that the keyswitch contacts are of adequate capacity to switch all the power of the panel.

FIG. 13: FIELD INSTALLATION OF BYPASS KEYSWITCH (FAIL SAFE LOCKS)



Note that when a bypass keyswitch is used together with an emergency release pushbutton (option "PB"), **the push button is bypassed** at the same time the toggles are. This is done by using a two pole keyswitch. One pole operates as is shown in Figure 13 above. The second pole bypasses the PB contacts which break the negative DC input to the panel. This is to maintain the security of the locks regardless of what is done to the panel controls until the keyswitch is again returned to the "normal" position.

5.5 SWITCH BYPASS WIRING (OPTIONS "KP2" OR "MK2" FAIL SECURE LOCKS)

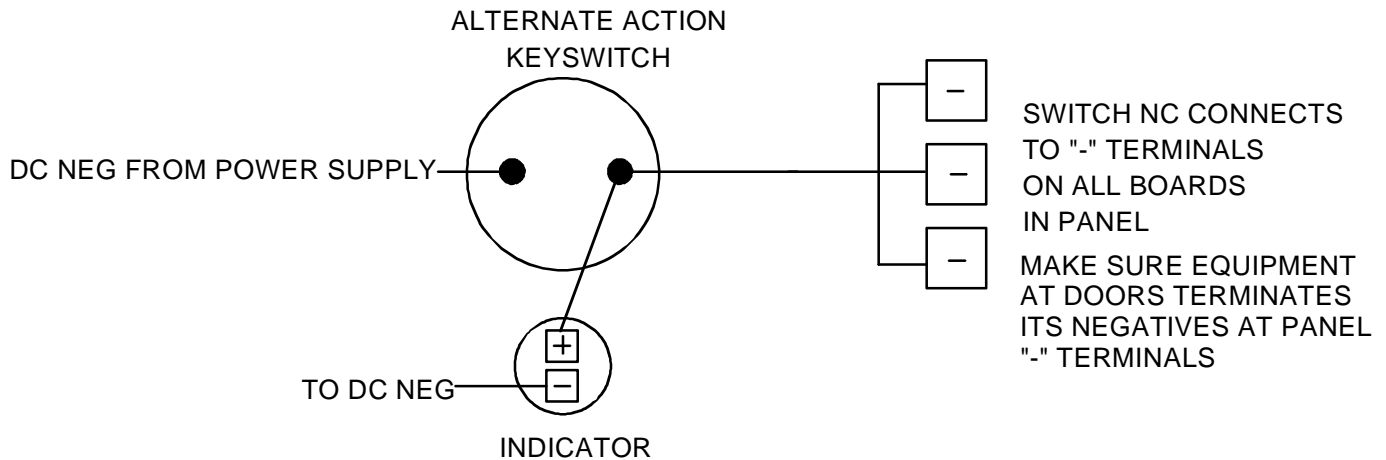
The option comes pre-wired for whichever type of keyswitch has been chosen. However, if the panel has been supplied without this option, it may be added in the field. Refer to Figure 14. The keyswitch removes power from all the terminal boards. This bypasses the ability of the toggles to release the locks. The panel's monitoring capability will also be disabled but the purpose of the keyswitch is to shut down the panel when the operator is absent so this is not an issue. Note that the keyswitch indicator (which operates on the same voltage) indicates that the panel is operating normally. Be sure that any field installed keyswitch has contacts of sufficient capacity to break all of the panel power. Also, make sure you terminate the lock negative wires to the panel "-" terminals rather than directly to the power supply or this will not work.

The reason that this option is set up to break the negative circuit instead of the positive is to preserve the ability to run separate +V inputs to each board zone. This can allow separately breakered inputs from a Securitron power supply or the installation of upstream switches.

If the installation includes remote release switches, an important change must be made from the lock wiring in Figure 4. Assuming that you wish the remote release switch to continue to function when the panel is bypassed, it will not if the job is wired as is shown in type 3 or type 4 hookups in Figure 4. The reason is that keyswitch bypass will remove DC negative from the panel and hence from the return of the fail secure locks. The solution is to run an extra DC negative wire from the power supply to the remote switch common. The wire is upstream of

the bypass switch. The remote switch's NO terminal then connects to the DC negative lock return wire so that the remote switch will release the lock by connecting the negative side even when the panel is bypassed. If there is a lock status sensing switch, it connects as in type 2, Figure 4.

FIG. 14: FIELD INSTALLATION OF BYPASS KEYSWITCH (FAIL SECURE LOCKS)



6. USE OF MULTIPLE PANELS

It is often a requirement that more than one LCP is employed to control and monitor the same group of doors. This can be done in several different ways depending on the control that is desired. The Sections below discuss the options.

6.1 "MASTER/SLAVE" PANELS (FOR FAIL SAFE LOCKS)

With this connection scheme, the switches are placed in series while the monitoring lights are in parallel. In the "normal" (secure) condition, the zone toggle on each panel is up. **Either toggle can release the lock but the toggle that released the lock must be used to resecure it.** Note that this set-up is well suited for **momentary** toggles. Since the switch is spring loaded, it is automatic that the switch that released the lock resecurer it. Wiring for a two panel "master/slave" installation is shown in Figure 15. The terms "master" and "slave" do not imply that there is any difference in the boards (or panels). It is just a way of identifying the board which connects to the power supply (the master) and the one that connects to the equipment at the doors (the slave).

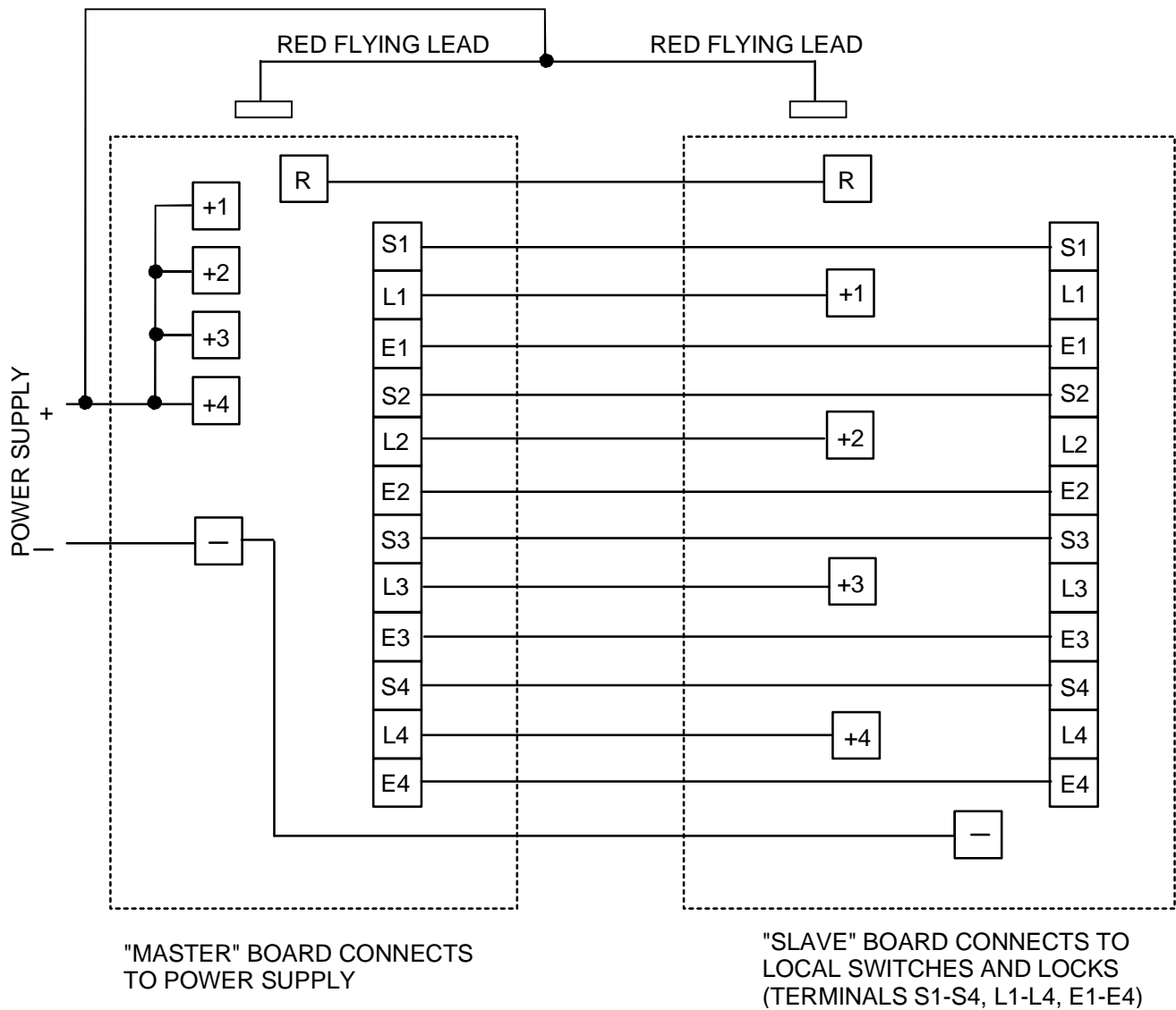
Note the connections between the red flying leads and the "R" terminals. This merely permits either panel to be able to reset a system violation alarm.

If more than 2 panels are used, the "master" board connects with any number of slave boards. Referring to Figure 15, the master board and 1st slave board connect as shown. The 2nd slave board would connect to the 1st slave board with the E and S terminals wired together and with the L terminals of the first slave board connecting to +1, +2, +3 and +4 of the second. This continues the series lock power connection. The locks always connect to the last slave board.

If other options are used in a master/slave installation, they would wire as follows: If the AM option is present, terminals Y1-Y4 would connect together between the boards just as the S terminals do. The emergency release option (PB) would only be installed on the master panel. The button would act to break power to the entire system. If other buttons were desired, their contacts should be wired in series with the button on the master panel. Switch bypass must be implemented on each panel.

FIG. 15: CONNECTIONS BETWEEN STANDARD BOARD AND SLAVE BOARD

NOTE: A SINGLE RED FLYING LEAD WILL BE PRESENT IN EACH PANEL FROM THE REAR OF THE RESET TOGGLE (NO MATTER HOW MANY BOARDS). THIS MUST RECEIVE CONSTANT +V FOR ALARM RESET AND BOTH LEADS MUST BE TIED TOGETHER.



6.2 MULTIPLE PANEL FAIL SECURE WIRING

If fail secure locks are employed and more than one panel is needed to control them, the panel terminals are simply wired in parallel (S to S; L to L; and E to E). Either panel can release the lock but **the same panel that released it must be used to resecure it**. Both panels monitor the lock in identical fashion. A single power supply must operate the system and you must interconnect an "R" terminal from one board in each panel so that all "R's" are in common. As always, the red flying leads from the reset toggles must be interconnected with each other and with a source of +V. Note that this set-up is well suited for **momentary** toggles. Since the switch is spring loaded, it is automatic that the switch that released the lock resecurer it.

Another option is to mount relays (available in groups of four with Securitron's RB-4 board) which are controlled by the panel toggles. The relays in turn control the locks. This allows altering fail safe operation (magnetic locks for example) to fail secure as when the relay is energized, it is wired to deenergize the lock through the use of its NC contacts. This technique can sometimes be useful for a spread out installation where the LCP's are separated by a large distance as full lock power does not need to run between each panel.

6.3 PANELS ALTERNATELY ENABLED

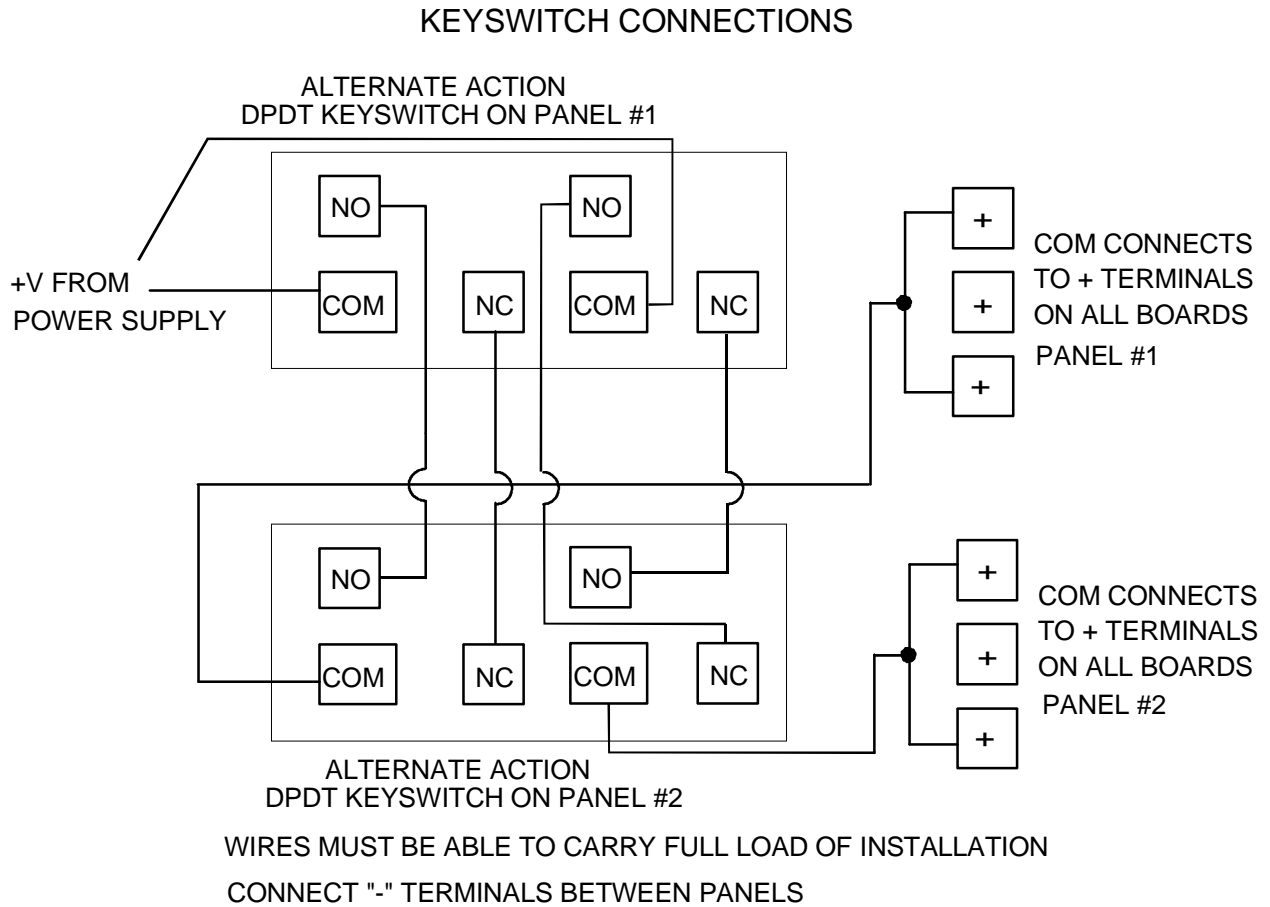
In some installations, panels are used alternately. A good example of this is when one panel is manned during working hours and the second is manned at night and during weekends. For this type of application, it is important that only one panel is enabled at a time as unauthorized people might be able to gain access to the disabled panel during that portion of the day.

To accomplish this, each panel must be furnished with a DPDT alternate action keyswitch with contacts of sufficient capacity to handle the full current load of the installation. In the case of large panels, the keyswitches can operate DPDT relays and then, of course, the keyswitches only need to be single pole. The factory can supply the keyswitches (Securitron model MKA2 for example) or they may be added in the field. The keyswitch contacts are wired together in 3-way fashion (see Figure 16) and, therefore, **turning either keyswitch on either panel, at any time will "flip" the enabled panel**. It's easy to see which panel is enabled as it will show indicators. The disabled panel will be dark. A single power is required for this to work but individual breakered outputs are not supported. All positive power input terminals in each LCP must be jumpered together with the power supply employed as a two terminal device (+ and -).

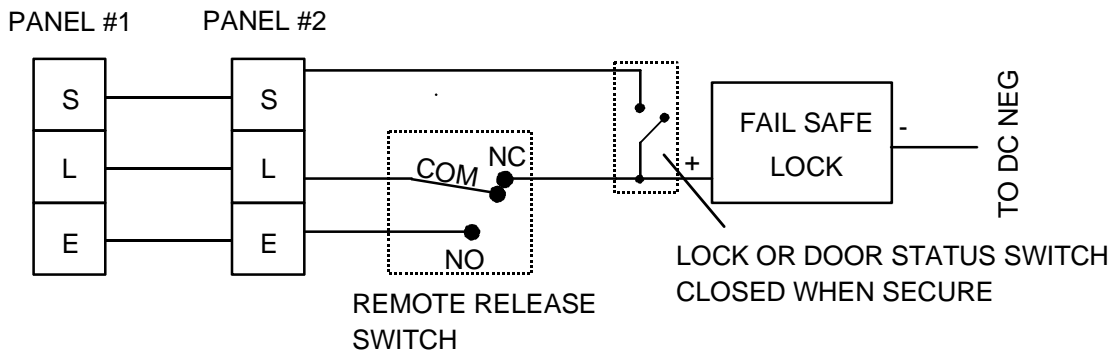
Note on Figure 16 that the **keyswitch contact wires must be heavy enough** to carry the full load of the installation. You must also make sure that each panel is connected to power supply DC negative either by running power supply negative wires to all the board "-" terminals in each panel or by running the power supply negative wires to one panel and then interconnecting the "-" terminals between panels. Make sure this is also done with heavy gauge wires.

At the doors you follow the same connections from either panel's S, L and E terminals to the lock and remote switch (if any). The bottom of Figure 16 gives the example of a type 3 fail safe lock connection scheme. You must just be sure to **interconnect the S, L and E terminals** for the respective zone between the panels as Figure 16 shows. This way, as each panel is enabled, its output terminals are properly connected to the lock.

FIGURE 16: ALTERNATELY ENABLED PANEL WIRING



CONNECTIONS AT DOOR



7. DOOR MONITORING (NO ELECTRIC LOCKS)

The panel may also be used to monitor doors where no electric locks are installed. The zone toggle switch serves to arm and disarm the zone and when the zone is armed, the panel will provide a latching alarm signal when the door is opened. Often, on the same panel, some doors are used for lock control and some are used for monitoring only. There is no problem with this.

A door switch which is closed when the door is closed, is mounted at the door and wires to the panel terminals as shown in Figure 17. When the toggle switch is in the on position, the zone is armed and the green indicator will illuminate when the door is closed. When the door opens, the indicator will turn red (violation condition) and the Sonalert will sound. When the door is reclosed, the indicator will turn orange and the violation condition can now be reset. Momentarily depressing the panel reset toggle will silence the alarm and return the indicator to green.

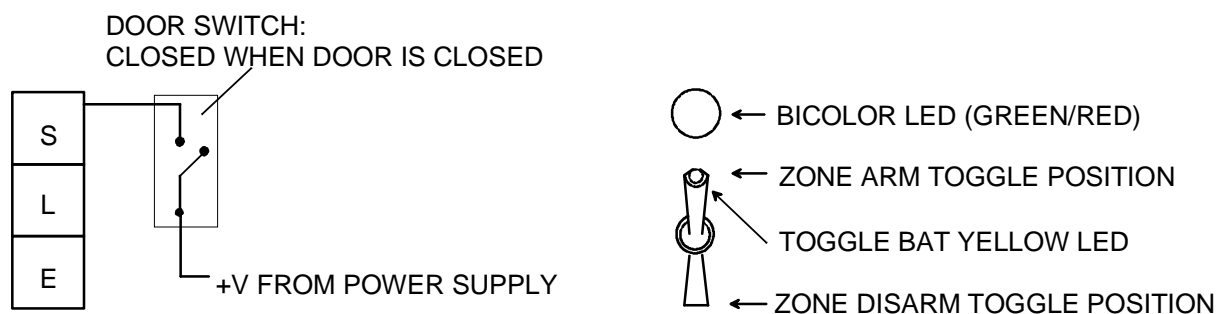
When the toggle switch is in the off position, the zone is disarmed. The bicolor indicator will remain green when the door is closed but will turn off when the door opens rather than going into the violation condition (red). This allows continued monitoring without alarm condition. The toggle switch itself will illuminate yellow when the zone is disarmed.

Only certain of the panel options are useful if the panel is used for monitoring only. The Silence Latch can avoid long soundings of the alarm (see Sections 2.1 and 5.1).

There is no reason to have a violation alarm delay for zones used for door monitoring only, as there is no electric lock which requires time to resecure. To remove the delay, identify the zones on the circuit board that are for monitoring only and identify the large capacitor on the rear of the board associated with that zone. Snip off and discard the capacitor and the delay will be eliminated.

On a custom basis, the factory can supply the panel with no toggle switches mounted at all so that in a monitoring application, the zones cannot be disarmed. If such a configuration has been delivered, wiring is still as shown in Figure 17.

FIG. 17: DOOR MONITORING (NO ELECTRIC LOCKS)



GREEN INDICATES DOOR CLOSED.

RED INDICATES VIOLATION (DOOR OPENED WHEN ZONE ARMED).

ORANGE INDICATES READY FOR ALARM RESET (DOOR HAS RECLOSED AFTER VIOLATION).

TOGGLE BAT INDICATOR YELLOW INDICATES ZONE DISARMED.

OFF INDICATES DOOR OPEN WHEN DISARMED.

FOR DOUBLE DOORS, MOUNT DOOR SWITCHES IN SERIES.

MAGNACARE® LIMITED LIFETIME WARRANTY

SECURITRON MAGNALOCK CORPORATION warrants that it will replace at customer's request, at any time for any reason, products manufactured and branded by SECURITRON.

SECURITRON will use its best efforts to ship a replacement product by next day air freight at no cost to the customer within 24 hours of SECURITRON's receipt of the product from customer. If the customer has an account with SECURITRON or a valid credit card, the customer may order an advance replacement product, whereby SECURITRON will charge the customer's account for the price of the product plus next day air freight, and will credit back to the customer the full amount of the charge, including outbound freight, upon SECURITRON's receipt of the original product from the customer.

SECURITRON's sole and exclusive liability, and customer's sole remedy, is limited to the replacement of the SECURITRON product when delivered to SECURITRON's facility (freight and insurance charges prepaid by customer). The replacement, at SECURITRON's sole option, may be the identical item or a newer unit which serves as a functional replacement. In the event that the product type has become obsolete in SECURITRON's product line, this MAGNACARE warranty will not apply. This MAGNACARE warranty also does not apply to custom, built to order, or non-catalog items, items made by others (such as batteries), returns for payment, distributor stock reductions, returns seeking replacement with anything other than the identical product, or products installed outside of the United States or Canada. This MAGNACARE warranty also does not apply to removal or installation costs.

SECURITRON will not be liable to the purchaser, the customer or anyone else for incidental or consequential damages arising from any defect in, or malfunction of, its products. SECURITRON does not assume any responsibility for damage or injury to person or property due to improper care, storage, handling, abuse, misuse, or an act of God.

EXCEPT AS STATED ABOVE, SECURITRON MAKES NO WARRANTIES, EITHER EXPRESS OR IMPLIED, AS TO ANY MATTER WHATSOEVER, INCLUDING WITHOUT LIMITATION THE CONDITION OF ITS PRODUCTS, THEIR MERCHANTABILITY OR FITNESS FOR ANY PARTICULAR PURPOSE.

Free Manuals Download Website

<http://myh66.com>

<http://usermanuals.us>

<http://www.somanuals.com>

<http://www.4manuals.cc>

<http://www.manual-lib.com>

<http://www.404manual.com>

<http://www.luxmanual.com>

<http://aubethermostatmanual.com>

Golf course search by state

<http://golfingnear.com>

Email search by domain

<http://emailbydomain.com>

Auto manuals search

<http://auto.somanuals.com>

TV manuals search

<http://tv.somanuals.com>