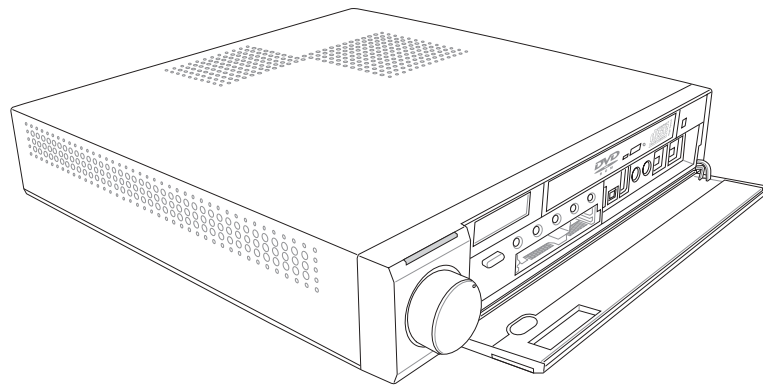


**ASUS<sup>®</sup>**

**DiGiMatrix**  
Digital Entertainment PC

## Quick Start Guide

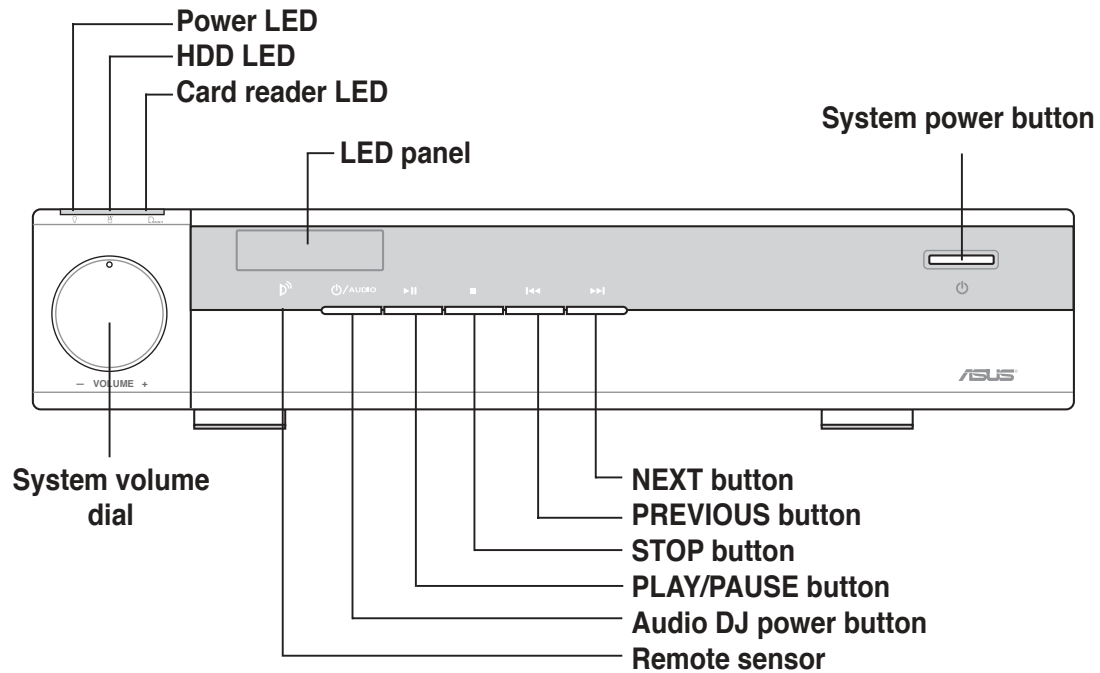


# Front panel features

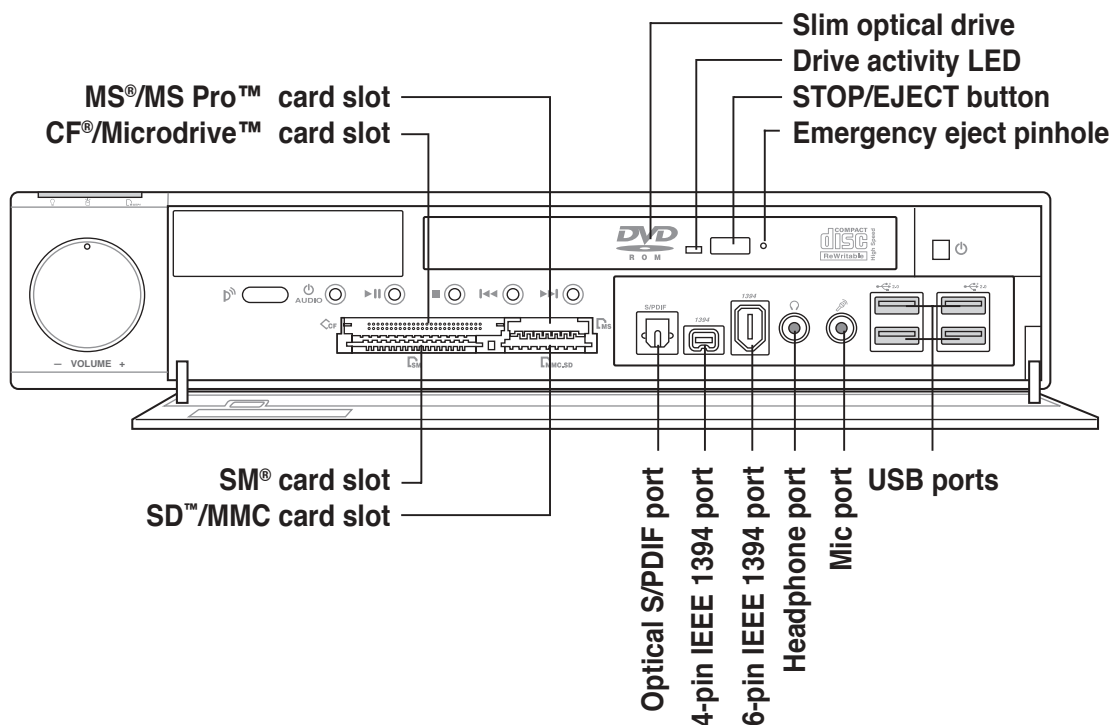


**NOTE.** The illustrations in this guide are for reference only. For detailed information on your system's specifications, refer to the user guide.

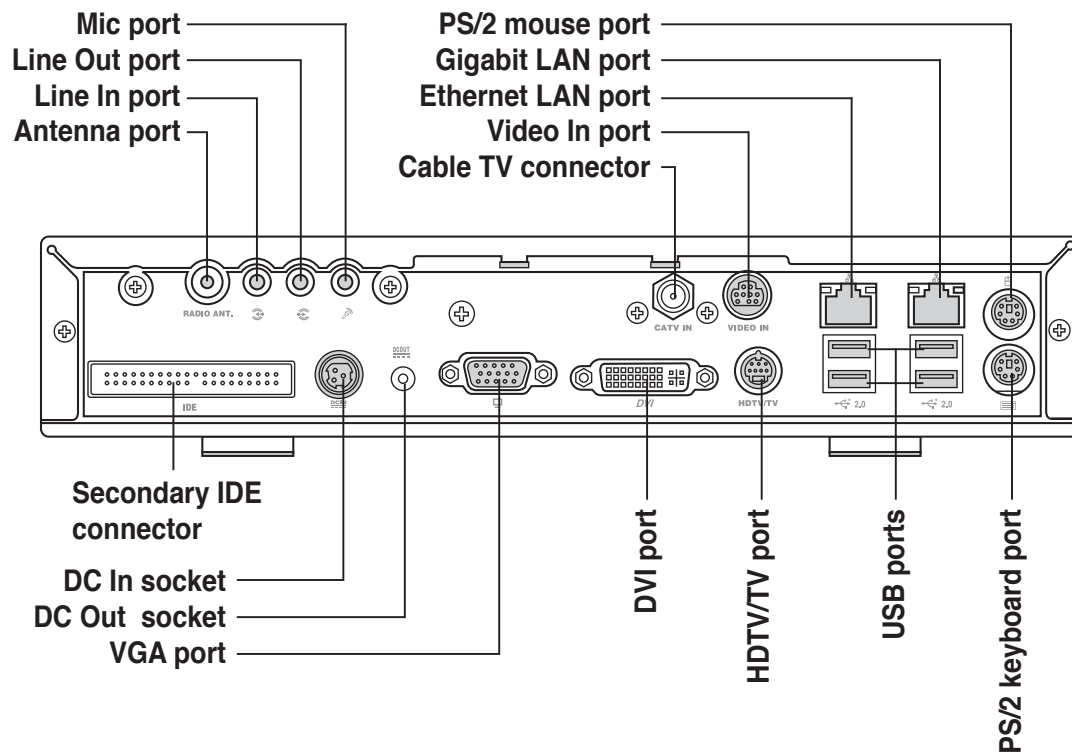
## External



## Internal

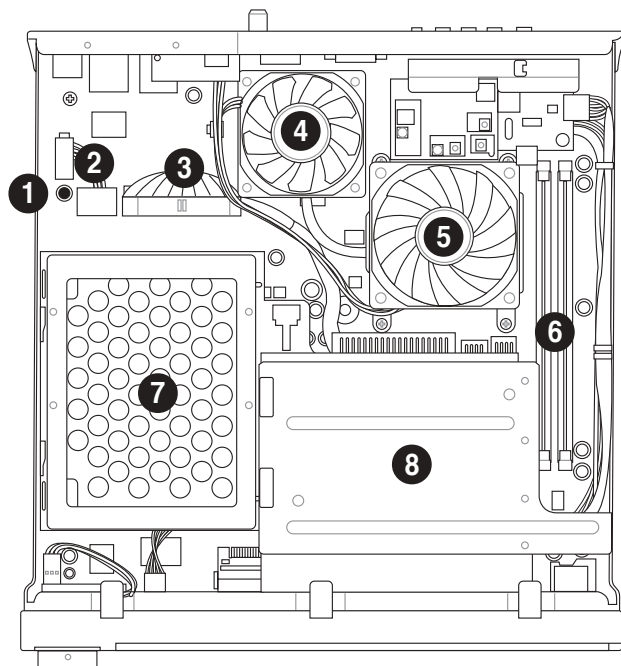


# Rear panel features

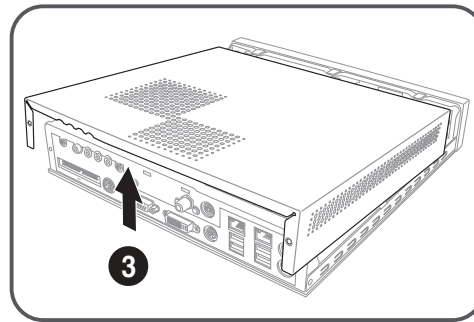
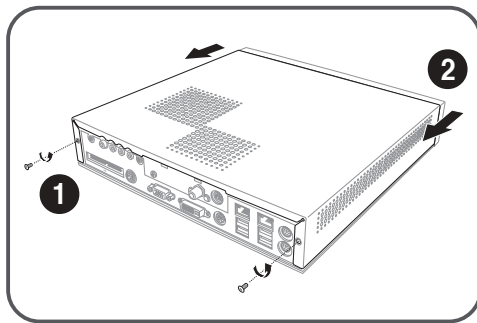


# Internal components

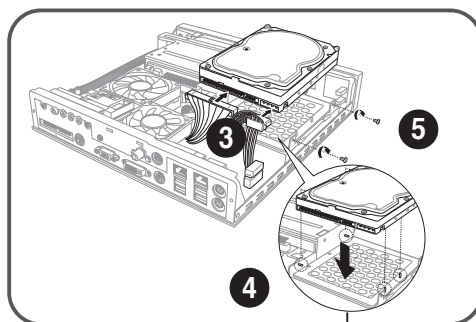
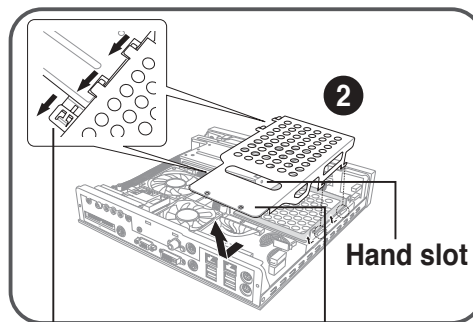
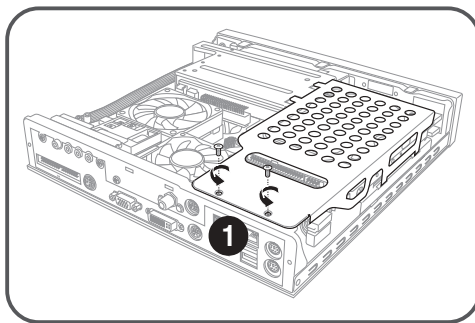
1. Standby power LED
2. HDD power plug (to HDD power connector)
3. IDE cable (to HDD connector)
4. Chassis fan
5. CPU fan
6. DIMM sockets
7. HDD metal tray
8. Optical drive shield



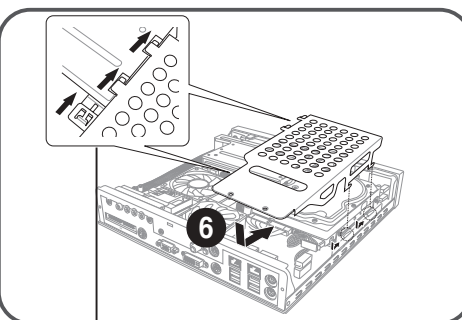
## Removing the top cover



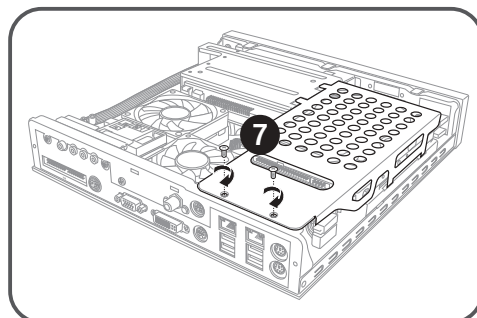
## Installing a hard disk drive



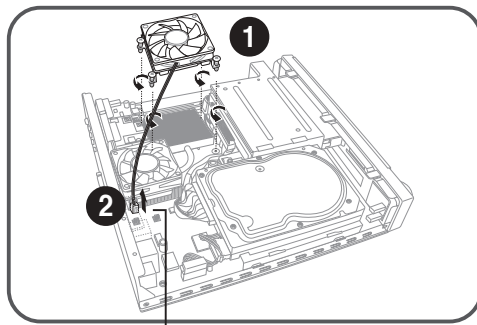
Insert the tray metal tacks into the drive screw holes (two on the side and two at the bottom)



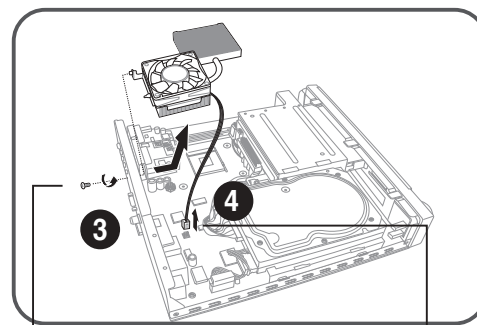
Align the side hooks with the tray rail and optical drive shield. Slide the metal cover toward the front panel until it fits in place



# Installing a CPU

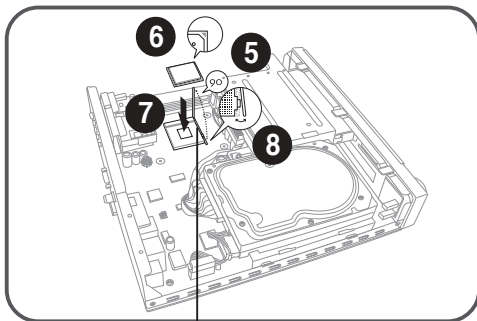


Disconnect the CPU fan cable

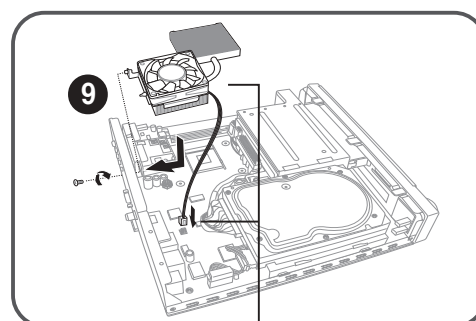


Remove the  
bracket screw

Disconnect the  
chassis fan cable



Unlock the socket by pressing the  
lever sideways then lifting it up to a  
90° angle

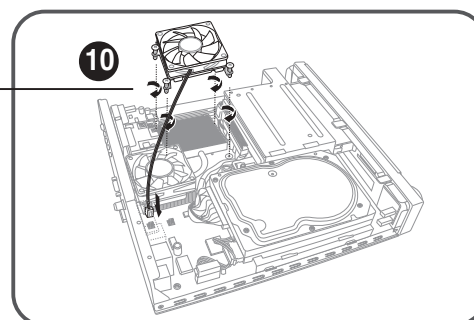


Re-install the chassis fan and  
heatsink assembly

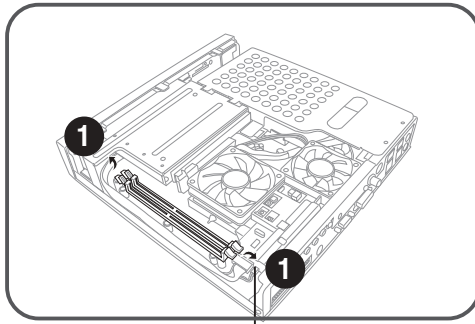


**CAUTION!** Make sure that the gold mark on the CPU matches the base of the socket lever. The CPU fits only in one correct orientation. DO NOT force the CPU into the socket to prevent bending the pins and damaging the CPU

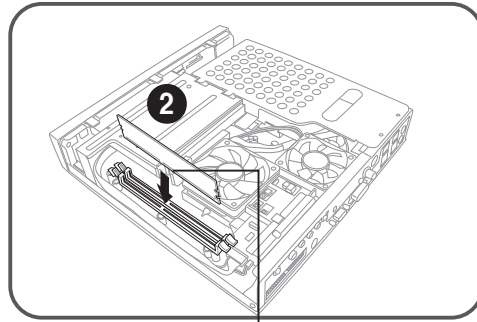
Re-install the CPU fan



# Installing a DIMM

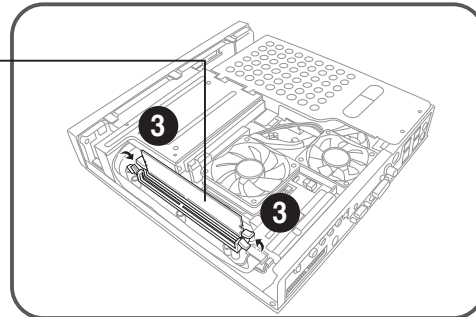


Press the retaining clips outward



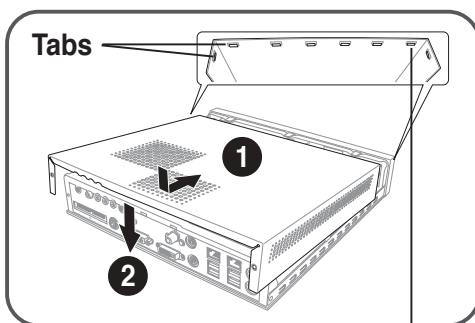
Align a DIMM on the socket such that the notch on the DIMM matches the break on the socket

Firmly insert the DIMM to the socket until the retaining clips snap back in place and the DIMM is properly seated.

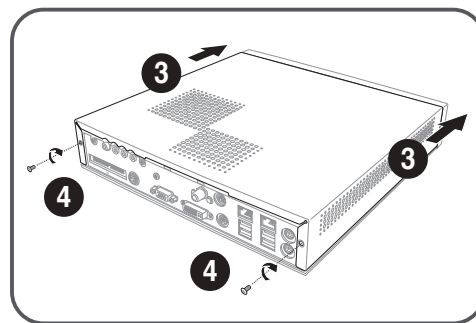


**CAUTION!** A DDR DIMM is keyed with a notch so that it fits in only one direction. DO NOT force a DIMM into a socket to avoid damaging the DIMM.

# Replacing the top cover

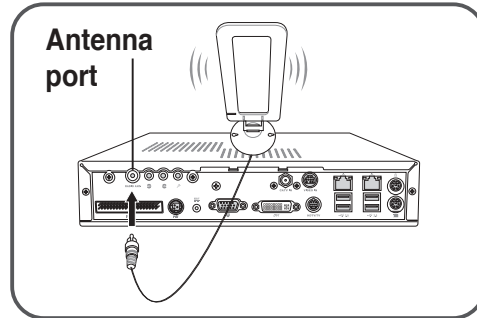
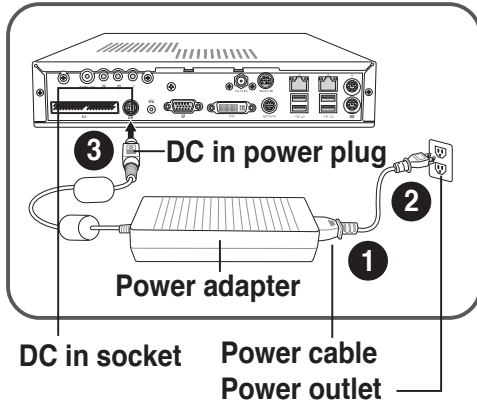


Fit the top cover tabs with the chassis rail and the front panel cover tabs

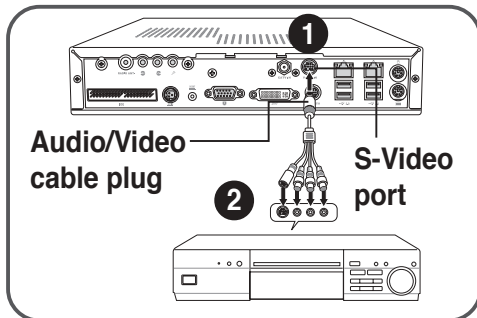


# Connecting cables

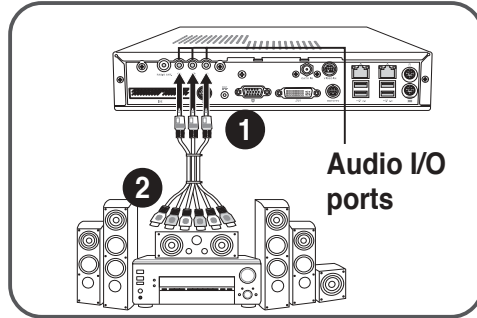
## Power adapter and cable      Radio antenna



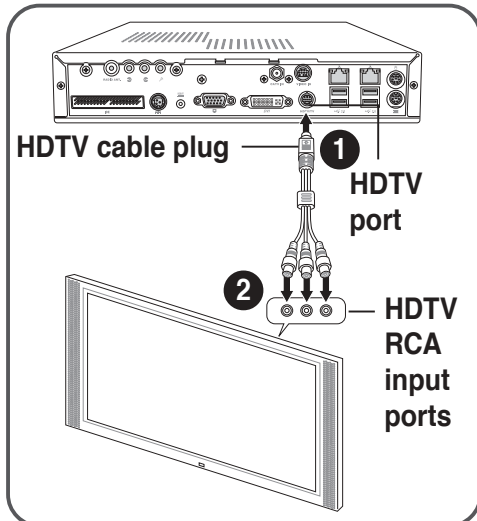
## Audio/Video cable



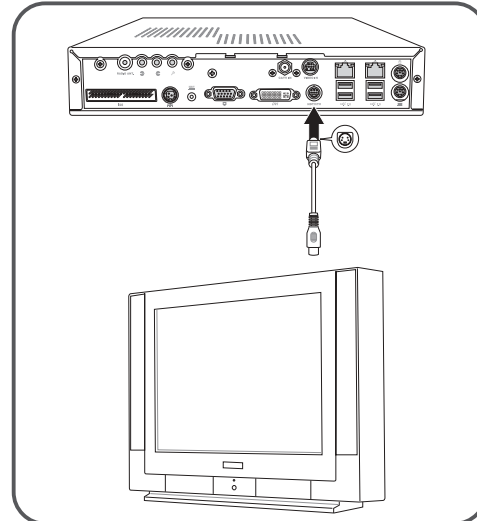
## Audio out cable



## HDTV cable



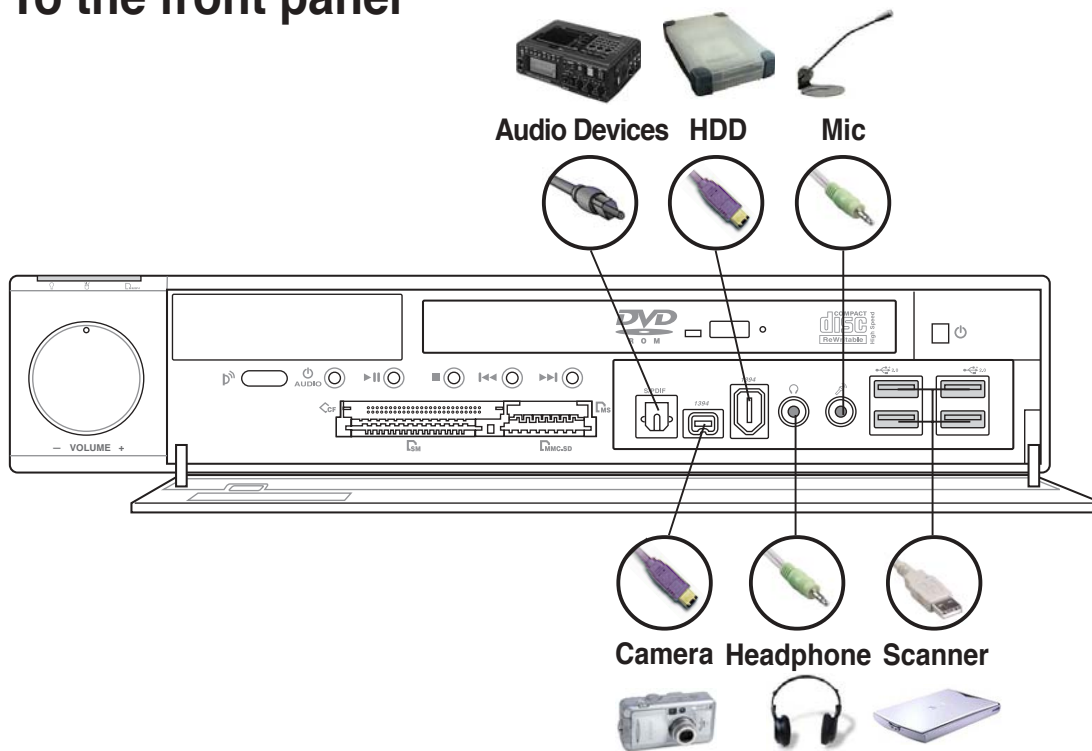
## Video out cable



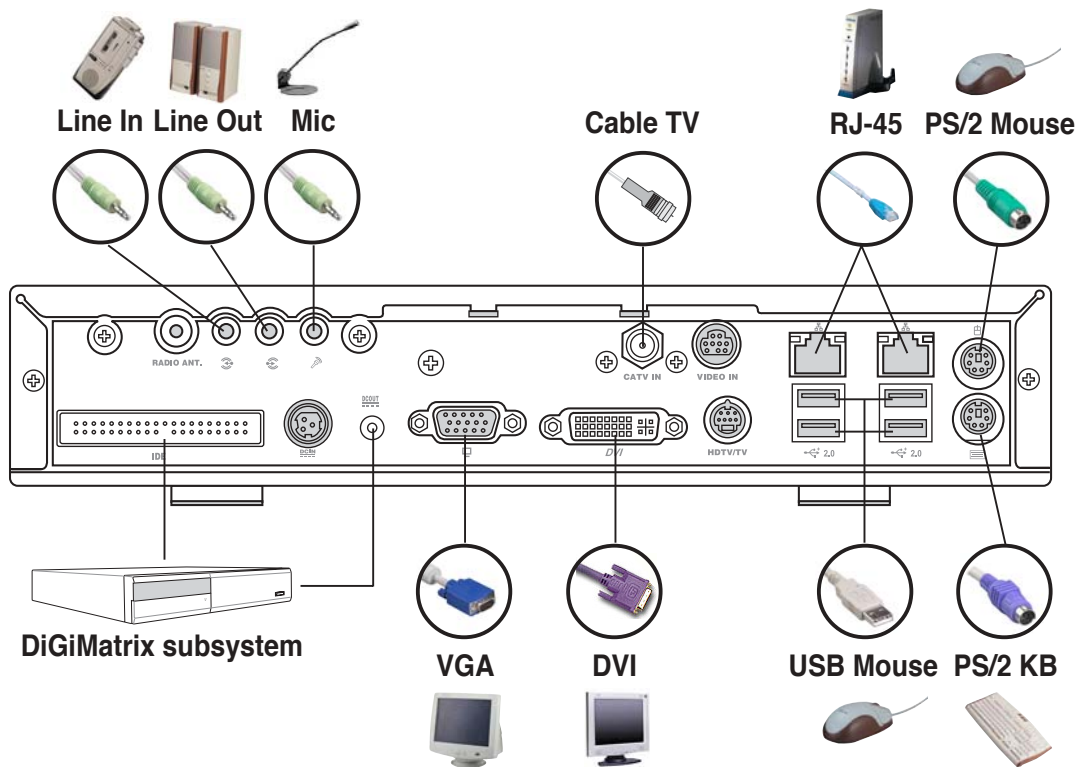
**NOTE.** You may also connect a regular TV set using the HDTV cable by connecting the blue jack to the video input port of the TV set. The TV set only receives video signals from the DiGiMatrix system.

# Connecting external devices

## To the front panel



## To the rear panel





## Free Manuals Download Website

<http://myh66.com>

<http://usermanuals.us>

<http://www.somanuals.com>

<http://www.4manuals.cc>

<http://www.manual-lib.com>

<http://www.404manual.com>

<http://www.luxmanual.com>

<http://aubethermostatmanual.com>

Golf course search by state

<http://golfingnear.com>

Email search by domain

<http://emailbydomain.com>

Auto manuals search

<http://auto.somanuals.com>

TV manuals search

<http://tv.somanuals.com>