

Stainless Steel

2 Compartment Sink Economy Line

ATLANTIC METALWORKS

3311 Gilmore Industrial Blvd, Ste II

Louisville, KY 40213

(877) 745-8868

sales@atlanticmetalworks.com - atlanticmetalworks.com



MATERIAL:

Constructed of 18 gauge heavy duty type 304 stainless steel.

Heavy 16 gauge galvanized legs and gussets.

Adjustable 1" plastic bullet feet. 3.5" drain basket included.



DESCRIPTION: Economy Stainless Steel Sink with Galvanized Legs

Bowl Size	Overall Length	# of Drainboards	Model
	25"	None	2CS-101410-0
10 x 14	n/a	One	2CS-101410-1L/R
	50"	Two	2CS-101410-2
	39"	None	2CS-162012-0
16 x 20	54.50"	One	2CS-162012-1L/R
	70"	Two	2CS-162012-2
	41"	None	2CS-181812-0
18 x 18	54"	One	2CS-181812-1L/R
	72"	Two	2CS-181812-2
	53"	None	2CS-242414-0
24 x 24	72"	One	2CS-242414-1L/R
	96"	Two	2CS-242414-2

Accessories	Model #:
Faucets, 8" O/C	FS-8-*
Pre-Rinse Unit	PRS-8
Add-on Faucet	AF-*

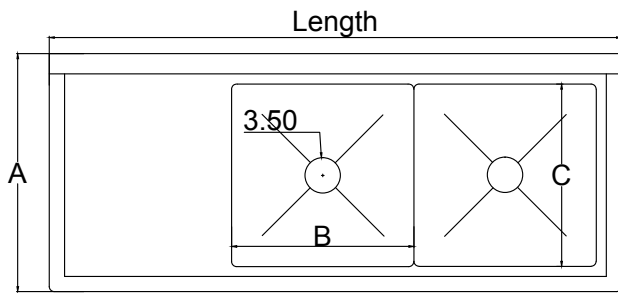
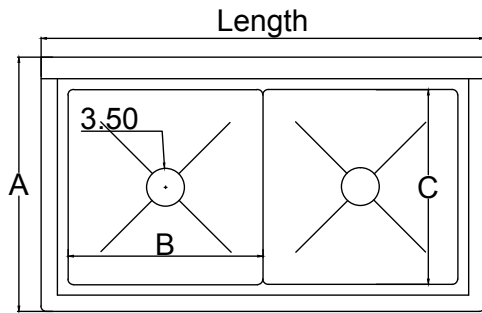


Indicates item can ship via ground service.

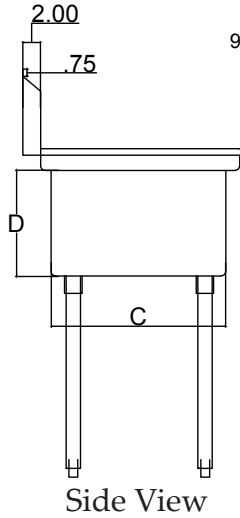
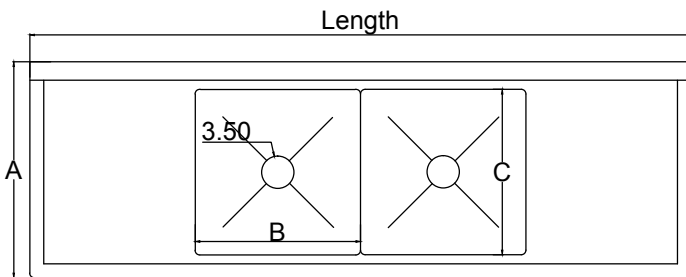
* Specify Spout Length

Atlantic Metalworks strives to provide accurate information at all times, however, we reserve the right to change specifications without prior notice. Measurements are nominal and may vary by an inch.

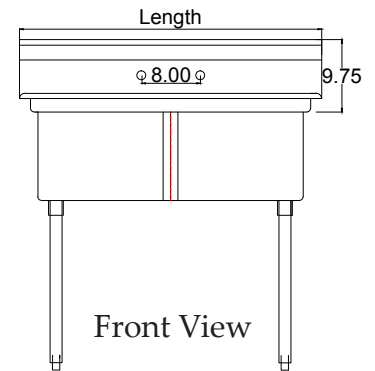
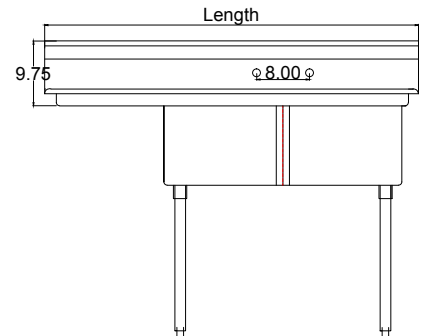
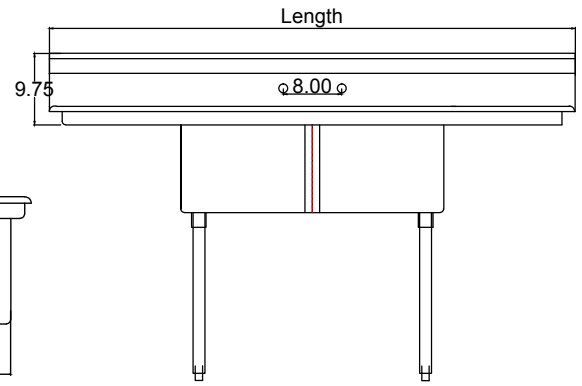
2 COMPARTMENT SINKS | ECONOMY LINE



Top View



Side View



Front View



Model	Length	Drainboards	Weight*	A	B	C	D
2CS-101410-0	25.00	n/a		19.50	10	14	10
2CS-101410-1L/R	40.00	1 - 15	n/a	19.50	10	14	10
2CS-101410-2	50.00	2 - 15		19.50	10	14	10
2CS-162012-0	39.00	n/a		25.50	16	20	12
2CS-162012-1L/R	54.50	1 - 18		25.50	16	20	12
2CS-162012-2	70.00	2 - 18		25.50	16	20	12
2CS-181812-0	41.00	n/a	50 LBS	23.50	18	18	12
2CS-181812-1L/R	51.00	1 - 18		23.50	18	18	12
2CS-181812-2	72.00	2 - 18		23.50	18	18	12
2CS-242414-0	53.00	n/a		29.50	24	24	14
2CS-242414-1L/R	72.00	1 - 24		29.50	24	24	14
2CS-242414-2	96.00	2 - 24		29.50	24	24	14

All measurements are in inches. *Weights are approximate shipping weight.

Atlantic Metalworks, 3311 Gilmore Industrial Blvd, Ste II Louisville, KY 40213
 (877) 745-8868 sales@atlanticmetalworks.com, atlanticmetalworks.com

Free Manuals Download Website

<http://myh66.com>

<http://usermanuals.us>

<http://www.somanuals.com>

<http://www.4manuals.cc>

<http://www.manual-lib.com>

<http://www.404manual.com>

<http://www.luxmanual.com>

<http://aubethermostatmanual.com>

Golf course search by state

<http://golfingnear.com>

Email search by domain

<http://emailbydomain.com>

Auto manuals search

<http://auto.somanuals.com>

TV manuals search

<http://tv.somanuals.com>