



19" W FILTERED INTAKE RACK MOUNTED BLOWER

BP195-320



FEATURES

- 320 CFM Unit Provides Exceptional Cooling for Rack-Mounted Equipment.
- Sloped Case Design Angles Two Fans Upwards for Efficient Circulation.
- Easy-To-Clean, Reusable Aluminum Mesh Filter Protects Equipment from Dust and Other Airborne Particles.

APPLICATIONS

Model BP195-320 is a powerful intake ventilation blower that is ideal for mounting in the bottom of cabinets to provide direct cooling and air circulation. The blower is equipped with a metal, washable filter which protects equipment in manufacturing plants, dance clubs, warehouses, distribution centers, and areas with high traffic volume.

GENERAL DESCRIPTION

The Atlas Sound BP195-320 Blower provides exceptional cooling performance for 19" racks and enclosures requiring ventilation for heat-generating equipment. The unit contains dual inlet, twin fans for quiet and efficient air handling. Fans operate at only 62 watts, 50/60Hz; .52 Line Amps @ 3350 RPM, to circulate air at 320 CFM (151 L/Sec). The 7" tubeaxial fans are of a precision ball bearing design and are pancake mounted to provide smooth, trouble-free performance. The blower enclosure is 17 inches wide mounted to a 19-inch wide polished chrome face plate grille equipped with knurled captive fasteners for easy filter cleaning. The permanent all-aluminum filter is corrugated mesh in a one-piece frame which slides into an aluminum channel.

The enclosure case design features a 15° top to rear slope from the center of the cabinet for uniform air circulation throughout the enclosure, has notched flanges on EIA Standard spacing. Grille area is open for maximum air flow. The case is finished in textured black baked epoxy and includes fan guards. The cord is a three wire, internally grounded 44 inch with molded plug, and is secured to the case with a strain relief bushing. For replacement/spare filters order P/N: FLT195-320.

MODEL	RU	PANEL SPACE	PANEL STYLE	FAN QTY	CFM TOTAL	SPL dBA @ 3'	VOLTS AC	HZ	WATTS	LINE AMPS
BP195-320	3	5 1/4" (133mm)	Flush (3/8" Thick)	2	320	59.5	115	60	62	.52
FLT195-320	Replacement / Spare Filter									

Specifications subject to change without notice

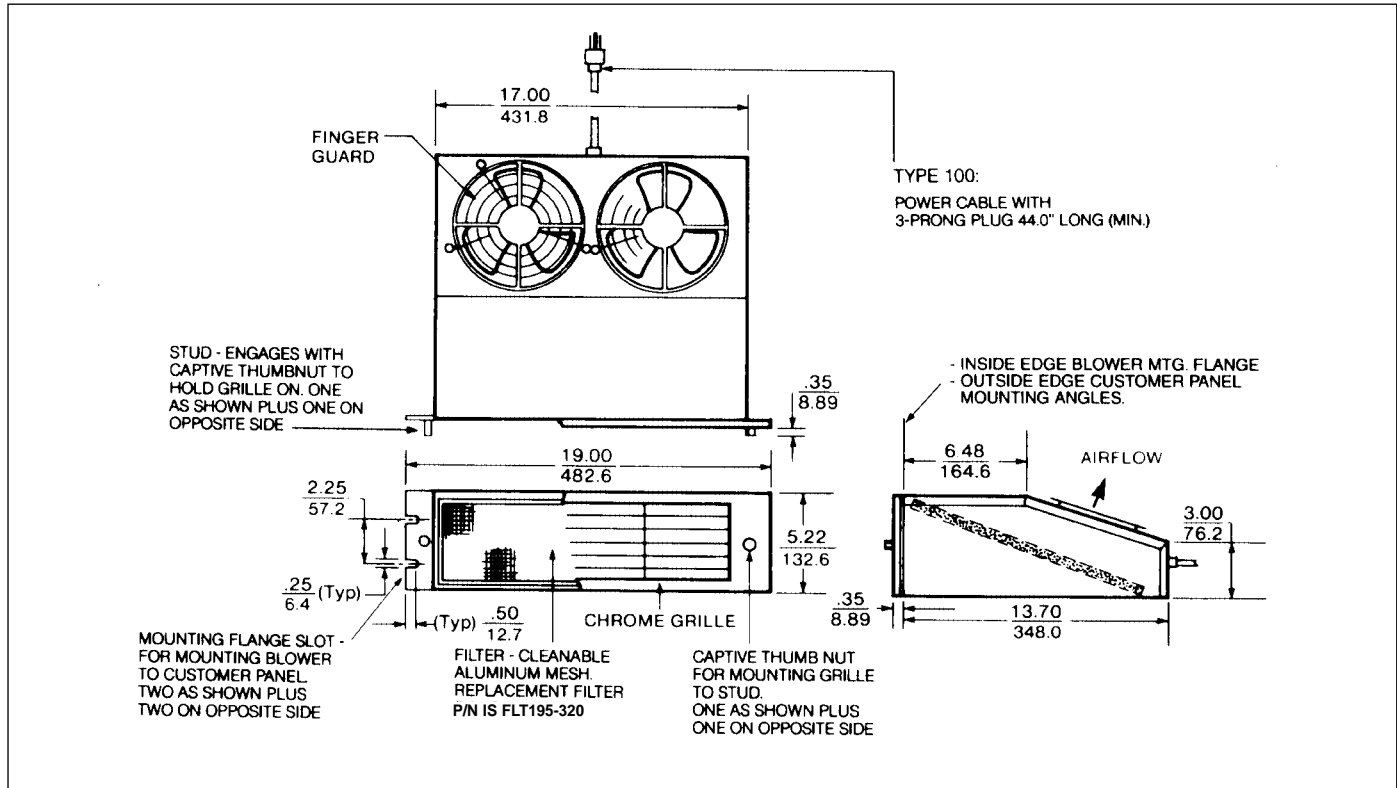


1601 JACK MCKAY BLVD. / ENNIS, TEXAS 75119 U.S.A. / TELEPHONE: (800) 876-3333 / FAX (800) 765-3435

ARCHITECT AND ENGINEER SPECIFICATIONS

Blower shall be Atlas Sound model BP195-320 or approved equal to deliver 320 CFM@ 0-INCHES. Unit shall have two 7" dia. fans, with stainless steel precision ball bearings. Enclosure shall be 17" wide with a 19" wide grille. Grille shall provide maximum air flow, and have knurled captive fasteners. Enclosure to have notched flanges on EIA

spacings. Filter shall be washable, permanent type, constructed of corrugated aluminum mesh mounted in an aluminum channel. Cord shall be 44 inches long three wire with molded plug and shall be internally grounded to unit housing. Enclosure shall be finished in textured black epoxy with chrome grille.



Specifications subject to change without notice



1601 JACK MCKAY BLVD. / ENNIS, TEXAS 75119 U.S.A. / TELEPHONE: (800) 876-3333 / FAX (800) 765-3435

Free Manuals Download Website

<http://myh66.com>

<http://usermanuals.us>

<http://www.somanuals.com>

<http://www.4manuals.cc>

<http://www.manual-lib.com>

<http://www.404manual.com>

<http://www.luxmanual.com>

<http://aubethermostatmanual.com>

Golf course search by state

<http://golfingnear.com>

Email search by domain

<http://emailbydomain.com>

Auto manuals search

<http://auto.somanuals.com>

TV manuals search

<http://tv.somanuals.com>