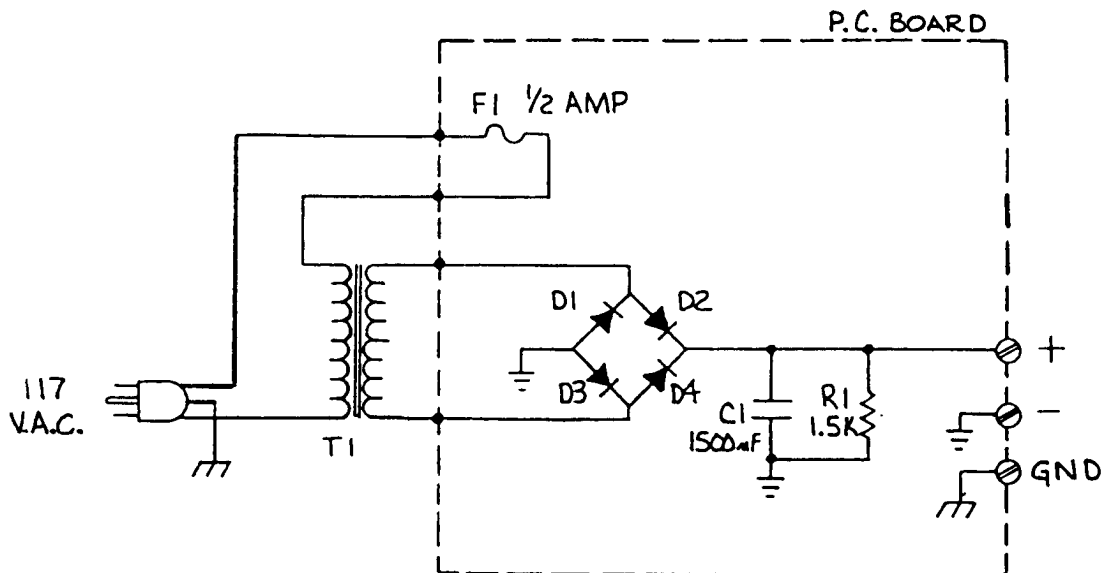




D.C. POWER SUPPLY
MODEL PS24-075

Input - 117 VAC at 60 Hz.
Output - 24 VDC .75 Amp



PARTS LIST		
Ref Designation	Description	Part No.
T1	Power Transformer	246314
C1	Capacitor 1500 mfd 50V.	110132
R1	Resistor 1.5K, 1W.	110728
D1-D4	Silicon Rectifier 200 PIV 1 Amp	110981
F1	Fuse 1/2 Amp	111252
-	Barrier Strip 3 Pt.	201481
-	P.C. Board Assembly	246330

Specifications are subject to change without notice

www.AtlasSound.com

1601 JACK MCKAY BOULEVARD ENNIS, TEXAS U.S.A. • TELEPHONE: (800) 876-3332 • FAX: (800) 765-3435

© 2001 ATLAS SOUND LP

Printed in U.S.A.

00801

ATS000714 RevC 8/01

PN 275444

Free Manuals Download Website

<http://myh66.com>

<http://usermanuals.us>

<http://www.somanuals.com>

<http://www.4manuals.cc>

<http://www.manual-lib.com>

<http://www.404manual.com>

<http://www.luxmanual.com>

<http://aubethermostatmanual.com>

Golf course search by state

<http://golfingnear.com>

Email search by domain

<http://emailbydomain.com>

Auto manuals search

<http://auto.somanuals.com>

TV manuals search

<http://tv.somanuals.com>