

**Kit Contains:**

- (2) Rack Ears
- (4) Rack Ear Chassis Screws
- (1) Rack Extension Plate for Single Unit Mounting
- (2) Screws to Combine Extension Plate to Rack Ear
- (2) Nuts to Secure Screws to Extension Plate and Rack Ear
- (2) Bottom Joiner Plates
- (4) Bottom Joiner Plate Screws
- (4) Rack Rail Screws with Plastic Washers

Instructions:**Configuration #1 - Mounting two AA35 or PA601 amplifiers or one AA35 with a PA601**

1. Disconnect amplifier from electrical source.
2. Remove the four feet from the bottom of each unit.
3. Align and secure the two joiner plates to the bottom of units with the enclosed screws.
Note: Both plates must be attached, one towards the front and one towards the back.
4. Remove front two screws from the sides of the amps.
5. Align the enclosed rack ear to these chassis holes.
6. Use the enclosed chassis screws to attach the rack ears to either side of the amplifiers.
Secure firmly, do not over tighten.
7. Install into rack using rack rail screws and washers provided.
8. Disregard any additional pieces.

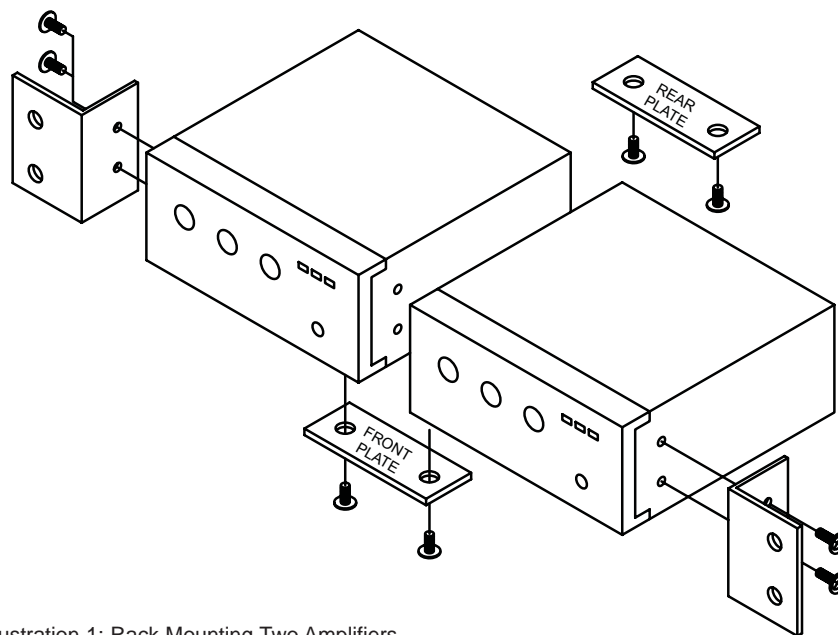


Illustration 1: Rack Mounting Two Amplifiers

Specifications are subject to change without notice

**Atlas
Sound****AtlasSound.com**

1601 JACK MCKAY BOULEVARD ENNIS, TEXAS 75119 U.S.A. • TELEPHONE: (800) 876-3333 • FAX: (800) 765-3435

©2006 ATLAS SOUND LP

Printed in U.S.A.

00406

ATS002329 RevA 04/06

PP

**Configuration #2 - Mounting one AA35 or PA601**

1. Disconnect amplifier from electrical source.
2. Remove the four feet.
3. Remove front two screws from sides of amp.
4. Align and secure the chassis extension plate to a rack ear using the enclosed screws and nuts.
5. Align the rack ear and extension assembly to the chassis holes on the side of the amp.
6. Use the enclosed chassis screws to attach the rack ear and extension assembly to the chassis.
Secure firmly, do not over tighten. Attach the other rack ear to the opposite side of the amp.
7. Install into rack using rack rail screws and washers provided.
8. Disregard any additional pieces.

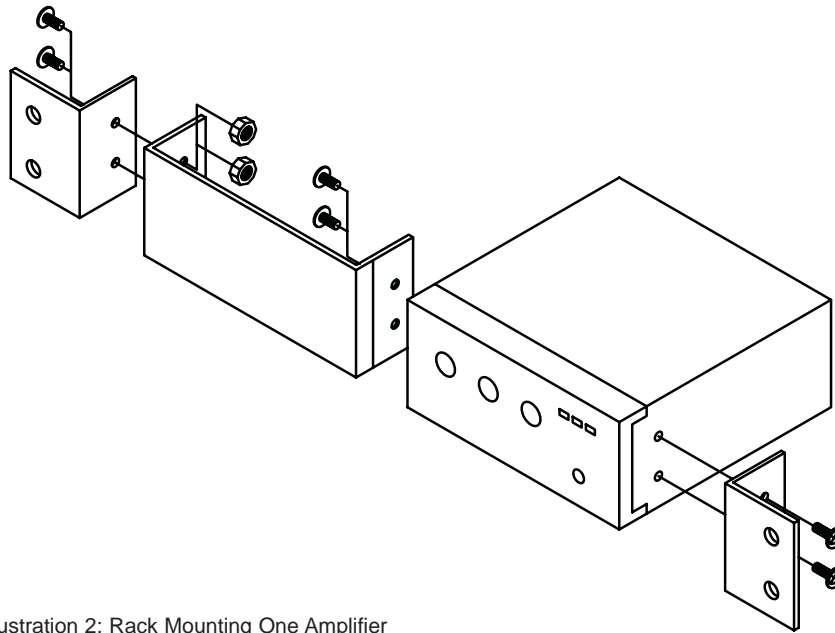


Illustration 2: Rack Mounting One Amplifier

Specifications are subject to change without notice



AtlasSound.com

1601 JACK MCKAY BOULEVARD ENNIS, TEXAS 75119 U.S.A. • TELEPHONE: (800) 876-3333 • FAX: (800) 765-3435
©2006 ATLAS SOUND LP Printed in U.S.A. 00406 ATSO02329 RevA 04/06 PP

Free Manuals Download Website

<http://myh66.com>

<http://usermanuals.us>

<http://www.somanuals.com>

<http://www.4manuals.cc>

<http://www.manual-lib.com>

<http://www.404manual.com>

<http://www.luxmanual.com>

<http://aubethermostatmanual.com>

Golf course search by state

<http://golfingnear.com>

Email search by domain

<http://emailbydomain.com>

Auto manuals search

<http://auto.somanuals.com>

TV manuals search

<http://tv.somanuals.com>