



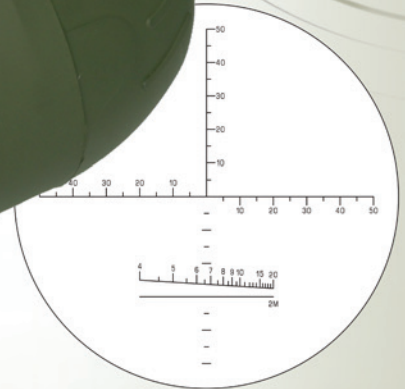
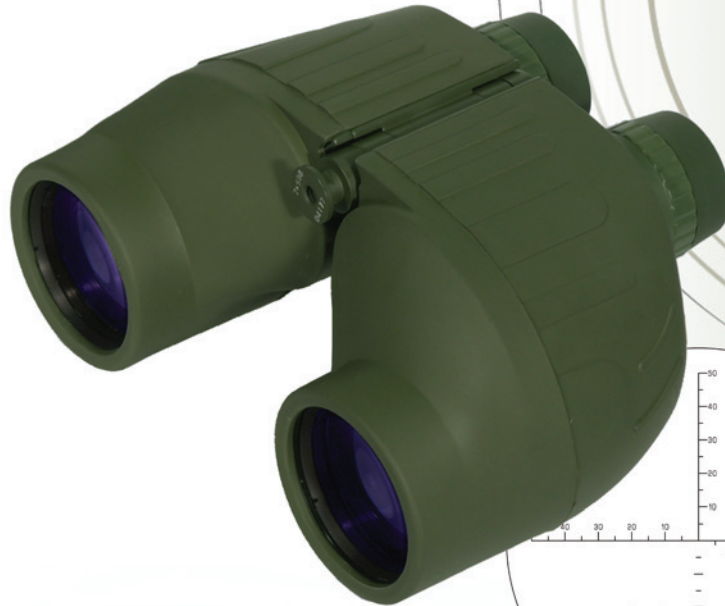
AMERICAN TECHNOLOGIES
NETWORK, CORP.

ATN 7X50

OMEGA CLASS LE/MARINE BINOCULARS

ATNs new 7 x 50 daytime Omega class binoculars provide a sharp stable image with excellent low-light performance.

The combination of waterproof and high quality optics make this the perfect binocular for boating and law enforcement, as well as most hunting uses.



- Built in step rangefinder
- Extra-long eye relief for eyeglass wearers
- Comfortable to use for extended hours
- Lifetime warranty



Magnification.....7x
 Weight.....48 oz
 Field of view:.....368 feet @ 1000 yards±5
 Eye relief:20mm
 Weight.....2.425 lbs / 1100 g

American Technologies Network Corp.
 20 S. Linden Ave. Unit 1B, South San Francisco, CA 94080
 800-910-2862 650-875-0130 FAX 650-875-0129

www.atncorp.com

E-mail: info@atncorp.com, sales@atncorp.com



Free Manuals Download Website

<http://myh66.com>

<http://usermanuals.us>

<http://www.somanuals.com>

<http://www.4manuals.cc>

<http://www.manual-lib.com>

<http://www.404manual.com>

<http://www.luxmanual.com>

<http://aubethermostatmanual.com>

Golf course search by state

<http://golfingnear.com>

Email search by domain

<http://emailbydomain.com>

Auto manuals search

<http://auto.somanuals.com>

TV manuals search

<http://tv.somanuals.com>