

ATTO FibreBridge™ 2300R/D

Fibre Channel



Next-generation Fibre Channel-to-SCSI Bridge for Mid-range Environments

ATTO FibreBridge™ 2300R/D is a Fibre Channel-to-SCSI bridge featuring one (1) Fibre Channel port with a 2-Gigabit SFP connector and two (2) Ultra160 SCSI ports. For mid-range-capacity tape drive OEMs who require 2-Gigabit Fibre Channel performance, the 2300R/D provides a flexible external solution for a wide range of applications. Unlike the other bridges and routers, the 2300R/D, combined with the 2300E, provides a single-source combination for 2-Gigabit products that can be used as an internal or external solution.

ATTO's built-in intelligent Bridging Architecture™ offers a unique combination of features that gives manufacturers the ability to embed customized value into their products.

TECHNICAL HIGHLIGHTS

- One 2-Gigabit Fibre Channel port by two (2) independent Ultra160 SCSI busses
- 400 MB/sec. maximum throughput
- Support for SNIA Extended Copy
- RS-232, Ethernet and Fibre Channel in-band configuration, monitoring and management
- Full support for direct connect to F-port fabric switches

ATTO

ATTO Technology, Inc.
attotech.com

155 CrossPoint Parkway • Amherst, NY 14068 • 716.691.1999

Fibre Channel and SCSI

Fibre Channel Interface:

- 2-Gigabit (400 MB/sec. in full-duplex mode)
- Backward compatible with 1-Gigabit devices
- One (1) SFP (Small Form Factor Pluggable) port
- Full support for direct connect for F-port fabric switches
- Class 2, Class 3 and Intermix ANSI Fibre Channel Specifications
- PLDA, public loop login (NL_ports) and fabric connect (N_port)
- Full-duplex transmissions

SCSI Interface:

- Two (2) independent 68-pin SCSI connectors
- LVD Ultra160 SCSI – 160 MB/sec. max per channel
- Backward compatible with all Single-ended SCSI devices
- 128 LUNs per channel

Performance:

- Up to 6,800 I/Os per sec.
- Up to 209 MB/sec. sustained data-transfer rate
- Memory: 128 MB of SDRAM for advanced data buffering and performance
- Supports Tagged Command Queuing
- Support for 2 concurrent XCOPY commands

Fibre Channel Compliance:

- ANSI FC-AL
- SNIA Extended Copy
- Class 2, Class 3 and Intermix
- FCP-1 and FCP-2 Fibre Channel Specifications

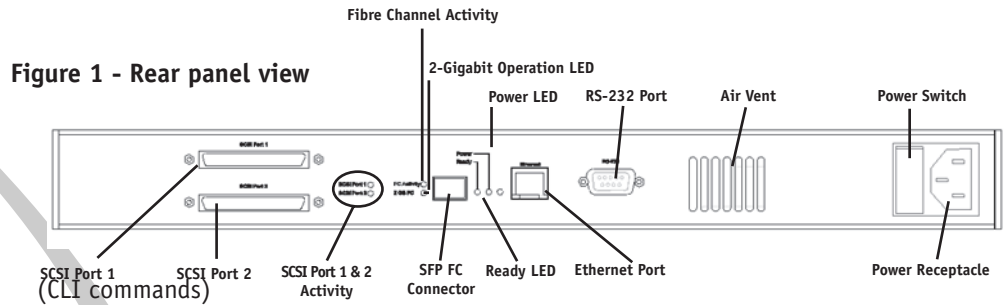
Management

Device Management Physical Interface:

- In-band (through Fibre Channel)
- Serial through RS-232 Port
- Network through 10/100 BaseT Ethernet Port (Telnet, FTP and SNMP)

Device Management User Interface:

- Command Line Interface (CLI)
- ASCII-based menu system
- ATTO ExpressNAV™ web-based integrated management console
- Performance reporting and Error Logging



LEDs:

- Power
- FC Activity
- 2-Gigabit Operation
- SCSI Activity Port 1, 2
- Ready

Environmental and Physical Characteristics

Dimensions:

- 16.91" W
- 10.00" L
- 1.72" (1U) H

Operating Environment:

- Temperature: 5 - 40° C
- Humidity: 10 - 90% non-condensing
- User configurable integrated thermal sensor data for auto shutdown
- Default: 70° C (max)

Power:

- Input: 85-250 VAC
50-60 Hz
Max 2.0A @ 110 VAC
- Rated 90-132 VAC: 175-264 VAC, 47-63Hz, single phase

Configuration:

- Desktop (with attached feet)
- 19" Rack mount kit included

Airflow:

- Internal fans provide 11 CFM internal air flow
- Ambient Air not to exceed 40° C
- Front to back

Other

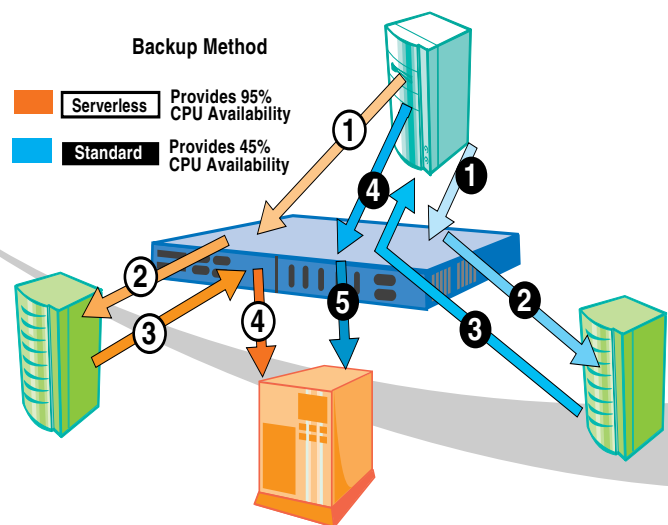
Operating Systems Supported:

- Operating system independent

Agency Certifications:

- FCC Class A
- CE (EN55022/EN55024)
- CSA / EN60950

Figure 2 - Serverless Backup



Free Manuals Download Website

<http://myh66.com>

<http://usermanuals.us>

<http://www.somanuals.com>

<http://www.4manuals.cc>

<http://www.manual-lib.com>

<http://www.404manual.com>

<http://www.luxmanual.com>

<http://aubethermostatmanual.com>

Golf course search by state

<http://golfingnear.com>

Email search by domain

<http://emailbydomain.com>

Auto manuals search

<http://auto.somanuals.com>

TV manuals search

<http://tv.somanuals.com>