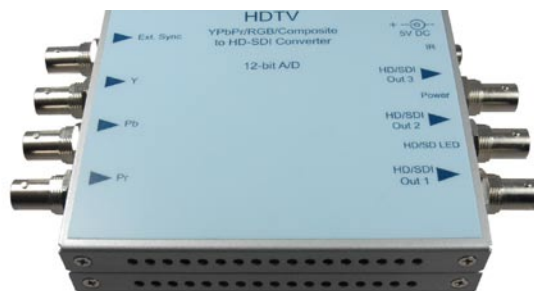




YPbPr/Composite to HD/SD-SDI Converter

AT-AT-HDSDI

User Manual



<http://www.atlona.com/>



Safety and Notice

The Atlona **AT-AV-HDSDI YPbPr/Composite to HD/SD-SDI Converter** has been tested for conformance to safety regulations and requirements, and has been certified for international use. However, like all electronic equipments, Atlona AT-AV-HDSDI should be used with care. Please read and follow the safety instructions to protect yourself from possible injury and to minimize the risk of damage to the unit.

- Follow all instructions and warnings marked on this unit.
- Do not attempt to service this unit yourself, except where explained in this manual.
- Provide proper ventilation and air circulation and do not use near water.
- Keep objects that might damage the device and assure that the placement of this unit is on a stable surface.
- Use only the power adapter and power cords and connection cables designed for this unit.
- Do not use liquid or aerosol cleaners to clean this unit. Always unplug the power to the device before cleaning.

Introduction

The AT-AV-HDSDI provides high quality 12-bit conversion between analog YPbPr and composite inputs and SDI video digital output. The AT-AV-HDSDI supports both SD-SDI and HD-SDI formats (SMPTE 259M, SMPTE 292M, and SMPTE 296M), and also features 3 SMPTE compliant HD/SD-SDI outputs.

Features

- Supported HD formats:

1080i @50/59.94/60Hz; 1035i @50/59.94/60Hz; 720p@50/59.94/60Hz;
1080p@24/30Hz

Supported SD formats:

NTSC @59.94Hz; PAL @50Hz

- Excellent quality 12-bit A/D conversion
- 3x HD/SD-SDI outputs
- Auto HD/SD-SDI detection
- Composite/YPbPr SD and HD input
- Equipped with 2 extra equalized loop-outs
- Easy installation
- External DIP switch configuration

Package Contents

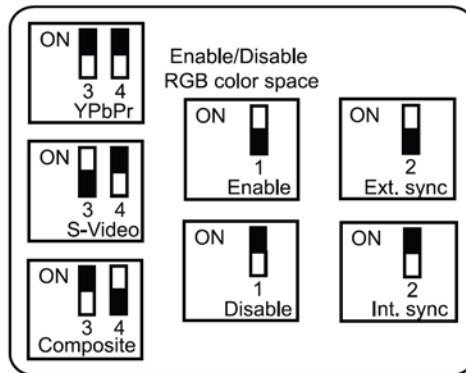
- 1x AT-AV-HDSDI
- 1x 5V 4A power adapter
- 1x User Manual

Technical Specifications

- Video bandwidth: 300Mbps, 1.485, 1.485/1.001 Gbps
- Output signal: HD/SD-SDI (SMPTE 259M, SMPTE 292M, SMPTE 296M)
- Output impedance: 75 Ω
- Input signal: HD/SD YPbPr/Composite
- Sync mode: Internal sync or External sync.
- Output transmission range: Greater than 125m / 410ft for HD-SDI or 300m / 1000ft for SD-SDI
- Power supply: 5V DC
- Dimensions: 120mm x 110mm x 25mm / 4.7"x4.3"x1" (L x W x H)
- Weight: 420g / 15oz

Format Specifications

HD INPUT		Component	Composite
720p @60/59.94/50Hz	SMPTE 296M -1, -2, RP-133	<input type="radio"/>	
1035i @60/59.94/50Hz	SMPTE RP-133	<input type="radio"/>	
1080i @60/59.94/50Hz	SMPTE RP27.1, RP-133	<input type="radio"/>	
SD INPUT			
<input type="radio"/>		<input type="radio"/>	
<input type="radio"/>		<input type="radio"/>	



DIP Switch

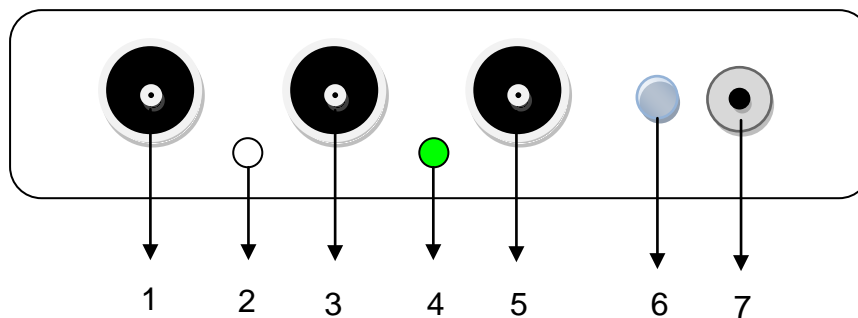
SW1	Color Space Mode
On	YPbPr Color Space (Default)
Off	RGB Color Space

SW2	Sync Mode
On	Internal Sync (Default)
Off	External Sync

SW3	SW4	Input Format
On	On	Component (Default)
On	Off	Composite
Off	On	Reserved
Off	Off	Reserved

Panel Descriptions

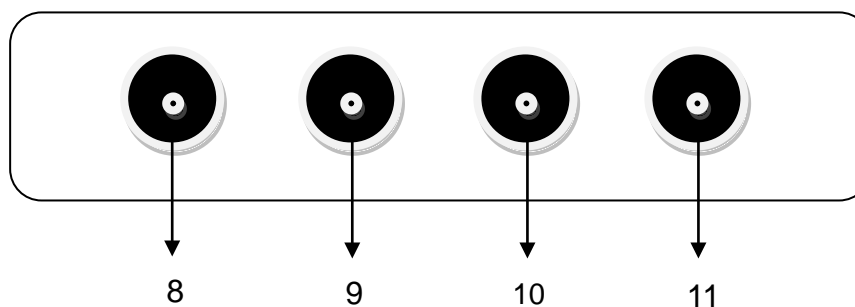
Front Panel



- | | |
|------------------------|-----------------------|
| 1. HD/SD-SDI Output 1 | 5. HD/SD-SDI Output 3 |
| 2. HD/SD LED | 6. IR Receiver** |
| 3. HD/SD-SDI Output 2 | 7. 5V Power |
| 4. Power indicator LED | |

** unavailable in AT-AV-HDSDI

Rear Panel



8. External sync
9. Y
10. Pb
11. Pr

Limited Warranty

Atlona warrants the **AT-AV-HDSDI YPbPr/Composite to HD/SD-SDI Converter** to be free from defects in the material and workmanship for 1 year from the date of purchase from Atlona or an authorized dealer. Should this product fail to be in good working order within 1 year warranty period, Atlona, at its option, repair or replace the unit, provided that the unit has not been subjected to accident, disaster, abuse or any unauthorized modifications including static discharge and power surges.

Unit that fails under conditions other than those covered will be repaired at the current price of parts and labor in effect at the time of repair. Such repairs are warranted for 90 days from the day of reshipment to the buyer. If the unit is delivered by mail, customers agree to insure the unit or assume the risk of loss or damage in transit. Under no circumstances will a unit be accepted without a return authorization number.

The content of this manual has been carefully checked and is believed to be accurate. However, Atlona assumes no responsibility for any inaccuracies that may be contained in this manual. Atlona will NOT be liable for direct, indirect, incidental, special, or consequential damages resulting from any defect or omission in this manual, even if advised of the possibility of such damages. Also, the technical information contained herein regarding the AT-AV-HDSDI features and specifications is subject to change without further notice.

Free Manuals Download Website

<http://myh66.com>

<http://usermanuals.us>

<http://www.somanuals.com>

<http://www.4manuals.cc>

<http://www.manual-lib.com>

<http://www.404manual.com>

<http://www.luxmanual.com>

<http://aubethermostatmanual.com>

Golf course search by state

<http://golfingnear.com>

Email search by domain

<http://emailbydomain.com>

Auto manuals search

<http://auto.somanuals.com>

TV manuals search

<http://tv.somanuals.com>