

# **MP3 Player Reference Design Based on AT89C51SND1 Microcontroller**

---

## **User Guide**





## Table of Contents

---

### Section 1

Introduction.....	1
1.1 Web Site download.....	1
1.2 Abbreviations.....	2

---

### Section 2

Overview .....	3
2.1 User Interface .....	4
2.2 Quickstart .....	6
2.2.1 Power ON/OFF .....	6
2.3 Main Functions .....	6
2.4 Mode Functions .....	6
2.5 Alternate Functions.....	7
2.6 Special Information.....	7

---

### Section 3

Overview of Modes.....	8
3.1 Song Mode .....	8
3.2 Voice Mode.....	8
3.3 USB Mode .....	8
3.4 Erase Mode .....	10

---

### Section 4

In-System Programming (ISP) .....	11
4.1 Using Hardware Conditions.....	11
4.2 Using Software Condition .....	11



# Section 1

---

## Introduction

The AT89RFD-01 is an MP3 reader reference design based on the AT89C51SND1 microcontroller. The AT89RFD-01 has the following features:

- **Upload and Download of Files Through a USB Interface**
- **Plays or Records Songs**
- **Adjustable Volume, Treble, Medium and Bass**
- **Record Voice Through a Microphone in .WAV Format**



---

### 1.1 Web Site download

1. Connect to:  
<https://www.atmel-nantes.fr/.mp3/at8xc51snd1c>  
User Name is: **atmelmp3**  
Password is: **snd3pass**
2. Copy the at8xc51snd1c.zip file to your PC.
3. Unzip the package to your local hard drive.

---

## 1.2 Abbreviations

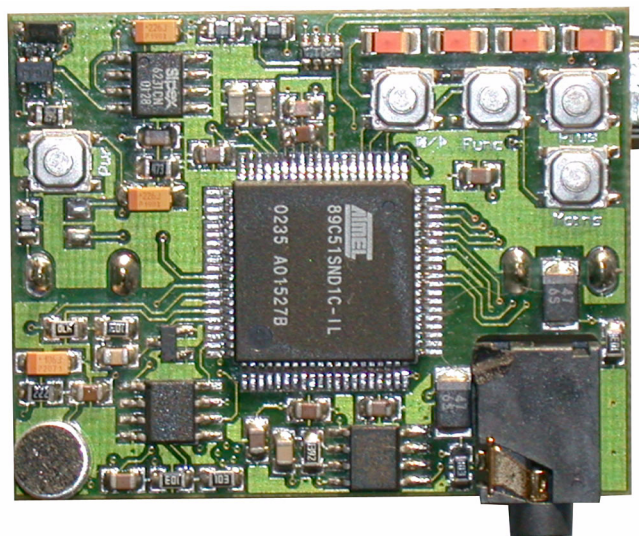
- AT89C51SND1: the MP3 microcontroller
- ISP: In-System Programming
- MP3: MPEG layer 3, a standard music format
- PC: Personal Computer
- USB: Universal Serial Bus

## Section 2

---

## Overview

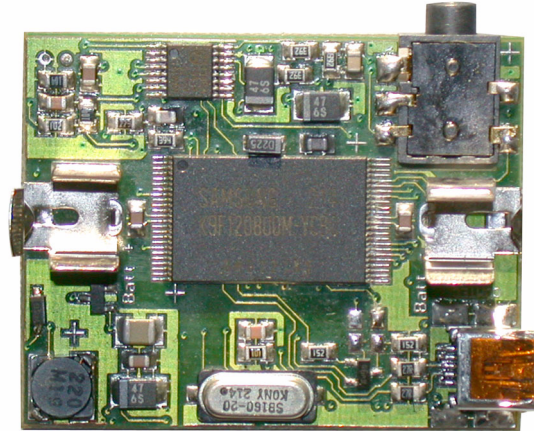
**Figure 2-1.** Reference Design (Top view)



There are two connectors:

- Earphone stereo jack
- Mini-B USB connector

**Figure 2-2.** Reference Design (bottom view)



The battery is a standard 1.5V-battery type AAA.

The mass storage system on the board is a 64 MB NAND Flash memory.

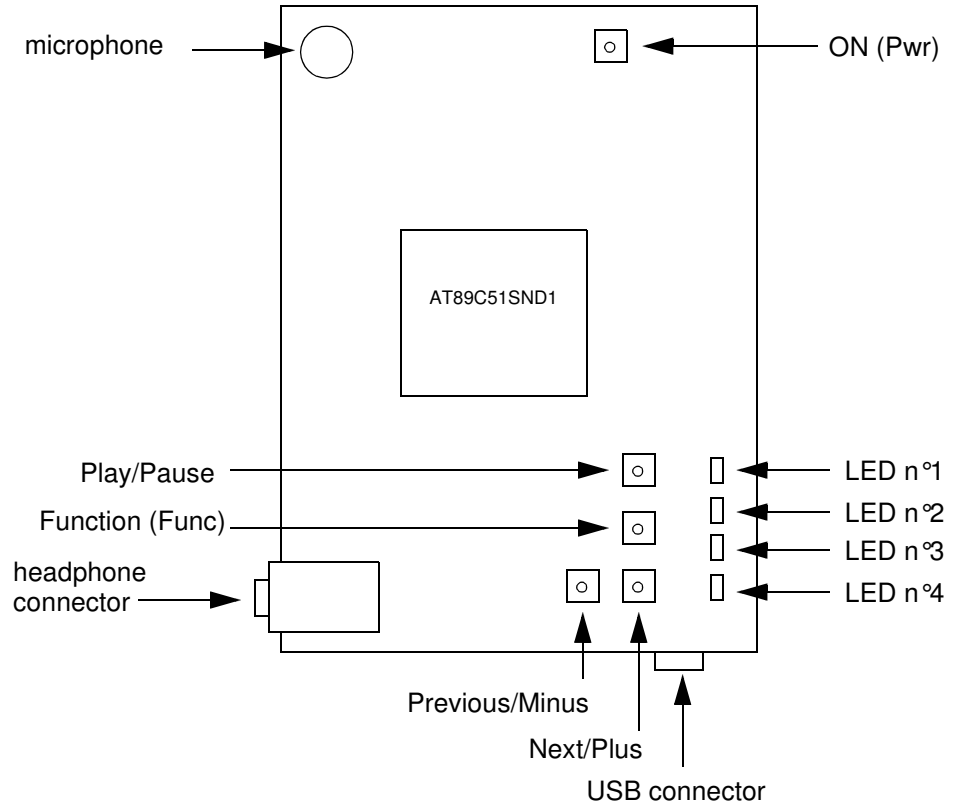
---

## 2.1 User Interface

The user interface has 4 LEDs and 5 push-buttons:

- Play/Pause
- Function
- Previous - Minus
- Next - Plus
- ON (Pwr)

Figure 2-3. User Interface Overview



Each LED may be:

- OFF
- Flashing (ON during less than 1 second and only one time)
- Slow blinking (continuously)
- Fast blinking (continuously)
- ON

- 
- 2.2 Quickstart** This procedure allows you to quickly play an MP3 song stored in the mass storage system. If the mass storage is empty or not formatted, see the following section regarding MP3 upload (“USB Mode”).
4. If the player is battery powered, push the ON button. If the player is powered by USB, plug the USB cable into your computer.  
All LEDs flash to confirm the power is ON.  
After a few seconds, depending of the mass storage type and size, LED n°1 is ON: indicating Song Mode is selected.
  5. Push the Play/Pause button to play the first MP3 song of the mass storage medium.  
LED n°1 blinks during music play.
  6. If the player is battery powered, after 1 minute of inactivity (no music), the player will be automatically turned off.

- 2.2.1 Power ON/OFF** Press the ON button to power the player. Power off is automatic after one minute of inactivity (no music, no button pressed). When the player is connected to a PC using the dedicated USB cable, the player is powered by the USB power line and the battery is useless (and will not be discharged). Disconnecting USB cable will automatically switch supply to the battery without stopping the operation.

- 
- 2.3 Main Functions** Main functions are the first meaning of the buttons:
- Play/Pause: this button means Play/Pause or Select or Record
  - Function: to change the current mode or alternate function
  - Plus/Minus: to change a music track or change a control level
  - ON: to power on the player using the battery

- 
- 2.4 Mode Functions** After power ON and initialization (step 1 of the previous section), there are 4 basic functions called “modes”, assigned to a dedicated LED:
- LED n°1: Song Mode, to play the MP3 files of the embedded mass storage system
  - LED n°2: Voice Mode, to play or record short “wav” messages (phone quality)
  - LED n°3: USB Mode, to upload or download files to the embedded storage system
  - LED n°4: Erase Mode, to format the mass storage system
- By pressing the Function key sequentially, the user will switch between these modes (mode 1, 2, 3, 4, 1...). The LED ON indicates the current mode.
- To validate one of these modes, press the Play/Pause button. For instance, if LED n°1 is ON, the current mode is “Song Mode”. The Play/Pause button will start the MP3 music.



## 2.5 Alternate Functions

When a mode is validated, the corresponding LED blinks slowly (except for USB mode, LED n°3 blink quickly when mode is activated and more slowly during transfer). Alternate functions regarding this mode are then accessible using the Function button. One LED blinking quickly is dedicated for each alternate function.

For Song Mode, alternate functions are:

- LED n°1: Volume Control
- LED n°2: Bass Control
- LED n°3: Medium Control
- LED n°4: Treble Control
- LED n°2,3,4: Bass Boost Control

For Voice Mode, alternate functions are:

- LED n°1: Volume Control
- LED n°2: Stop and wait for Recording confirmation (to be validated by Play/Pause)

For other modes, there exist no alternate functions at the present time.

To adjust the controls, press Previous/Minus (to decrease) or Next/Plus (to increase) the control level. A bar graph lights up for the corresponding control when one of these buttons are pressed and during the adjustment, the control ranges from all LED OFF (minimum level) to all LED ON (maximum level).

If no buttons are pressed for 3 seconds, the alternate functions setup ends and the LED corresponding to the current mode blinks slowly (Play information).

## 2.6 Special Information

Normally only one LED is ON or blinking at the same time. Exceptions are:

- Change of Music Track: all LEDs flash one time
- Start-up/Power ON: all LEDs flash one time
- Voice Record: LEDs 1, 3 and 4 blink
- Software ISP mode: LEDs 1 and 4 ON
- Bar graph for the selected Control: from 0 to 4 LEDs ON
- Error report: all LEDs are ON

**Note:** A possible error is that the mass storage system is not formatted. If this is the case, press the Function button until Format Mode is selected and validate this mode with the Play/Pause button.

All LEDs are off during:

- Format process of mass storage
- Initialization
- Power OFF



## Section 3

# Overview of Modes

- 
- 3.1 Song Mode** This mode will allow users to listen to the MP3 song stored in the embedded mass storage system. If the memory is empty, LED n°1 does not blink and there is no music. If there are valid MP3 files in the memory, the player will play the first song and LED n°1 blinks slowly.
- Main and alternate functions give access to standard player functions.
- 
- 3.2 Voice Mode** When entering Voice Mode, the first wav file in the directory will be selected and played. When the player reaches the end of a wav file, or if wav file is not present, the player will switch to record mode: LED n°2 blinks quickly. If the button Play/Pause is pressed, the player records voices from the microphone. If the Function button is pressed, the player will go back to its initial state (Voice Mode selected).
- The microphone will record the voice and store it in the selected file until the maximum size of the wav file is reached. When the maximum size is reached, the player will go back to its initial state.
- 
- 3.3 USB Mode** This mode will allow users to connect the player to a PC running under Linux®, Windows® 2000/XP/Me and MacOS® 9 (without driver) or Windows 98 (with a driver). The Data Storage Flash will then be seen as a removable disk drive and copying from any PC storage media to the player memory will be possible. Current firmware does not support Windows Format function.
- Prior to entering this mode, a USB cable has to be connected between the PC and the player. The player will then be powered by the USB supply. When entering USB mode, USB lines will be activated and a device will appear in the Hardware window of the PC.
- Note:** First connection may require the driver installation depending of your Operating System.
- When connected, LED n°3 blinks quickly. When a file is moved to the player, this LED does not blink regularly. Transfer is completed when the LED continues to blink quickly and regularly.
- Note:** The file will appear in the removable media window on the PC before the end of the transfer (almost at the beginning!).
- Do not disconnect** the cable during an on-going transfer.

In order to leave this state, the Play/Pause button must be pressed.

**Do not disconnect** the cable before leaving USB Mode.

---

### 3.4 Erase Mode

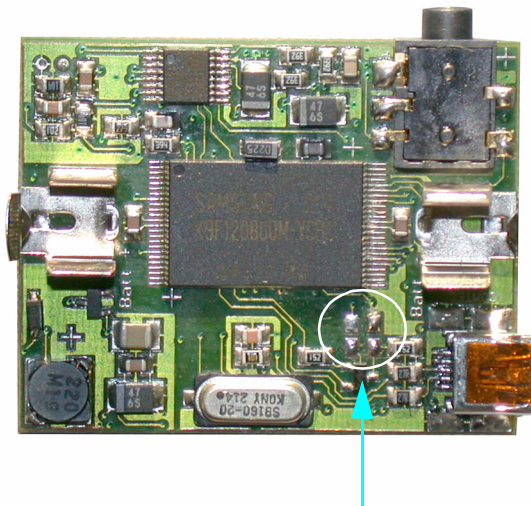
When this mode is validated by pressing Play/Pause button, all LEDs are OFF during the erasing and reformatting of the full on-board mass storage system. LED n°4 will be ON when this operation is performed.

# In-System Programming (ISP)

### 4.1 Using Hardware Conditions

Two solder points or short-cuts have to be physically set up on the board in order to enter this mode. This mode must be used when the initial software has been corrupted and when the ISP cannot be activated by the keyboard.

**Figure 4-1.** ISP Hardware Condition



Solder two SMD 0 $\Omega$  resistors here (horizontally).  
To activate the USB transfer and  
To put hardware ISP conditions on the microcontroller.

### 4.2 Using Software Condition

When connected to a PC using a USB cable, the player can be accessed by Flexible In-System Programming (FLIP) software. To enter by software in the ISP bootloader of the player, press the Function button while the USB cable is plugged into the PC (the ISP software condition is checked only during power ON Reset).

A driver has to be installed the first time (See FLIP installation note). This driver is delivered with Atmel FLIP software available on the Atmel Web site.

When connected, a new device will appear in the hardware window of the PC under the "User interface peripheral" section, named USB\_DFU\_SND1. See FLIP User's guide for information about FLIP execution.



## Atmel Corporation

2325 Orchard Parkway  
San Jose, CA 95131, USA  
Tel: 1(408) 441-0311  
Fax: 1(408) 487-2600

## Regional Headquarters

### Europe

Atmel Sarl  
Route des Arsenalux 41  
Case Postale 80  
CH-1705 Fribourg  
Switzerland  
Tel: (41) 26-426-5555  
Fax: (41) 26-426-5500

### Asia

Room 1219  
Chinachem Golden Plaza  
77 Mody Road Tsimshatsui  
East Kowloon  
Hong Kong  
Tel: (852) 2721-9778  
Fax: (852) 2722-1369

### Japan

9F, Tonetsu Shinkawa Bldg.  
1-24-8 Shinkawa  
Chuo-ku, Tokyo 104-0033  
Japan  
Tel: (81) 3-3523-3551  
Fax: (81) 3-3523-7581

## Atmel Operations

### Memory

2325 Orchard Parkway  
San Jose, CA 95131, USA  
Tel: 1(408) 441-0311  
Fax: 1(408) 436-4314

### Microcontrollers

2325 Orchard Parkway  
San Jose, CA 95131, USA  
Tel: 1(408) 441-0311  
Fax: 1(408) 436-4314

La Chantrerie  
BP 70602  
44306 Nantes Cedex 3, France  
Tel: (33) 2-40-18-18-18  
Fax: (33) 2-40-18-19-60

### ASIC/ASSP/Smart Cards

Zone Industrielle  
13106 Rousset Cedex, France  
Tel: (33) 4-42-53-60-00  
Fax: (33) 4-42-53-60-01

1150 East Cheyenne Mtn. Blvd.  
Colorado Springs, CO 80906, USA  
Tel: 1(719) 576-3300  
Fax: 1(719) 540-1759

Scottish Enterprise Technology Park  
Maxwell Building  
East Kilbride G75 0QR, Scotland  
Tel: (44) 1355-803-000  
Fax: (44) 1355-242-743

### RF/Automotive

Theresienstrasse 2  
Postfach 3535  
74025 Heilbronn, Germany  
Tel: (49) 71-31-67-0  
Fax: (49) 71-31-67-2340

1150 East Cheyenne Mtn. Blvd.  
Colorado Springs, CO 80906, USA  
Tel: 1(719) 576-3300  
Fax: 1(719) 540-1759

### Biometrics/Imaging/Hi-Rel MPU/ High Speed Converters/RF Datacom

Avenue de Rochepleine  
BP 123  
38521 Saint-Egreve Cedex, France  
Tel: (33) 4-76-58-30-00  
Fax: (33) 4-76-58-34-80

---

### Literature Requests

[www.atmel.com/literature](http://www.atmel.com/literature)

**Disclaimer:** The information in this document is provided in connection with Atmel products. No license, express or implied, by estoppel or otherwise, to any intellectual property right is granted by this document or in connection with the sale of Atmel products. **EXCEPT AS SET FORTH IN ATMEL'S TERMS AND CONDITIONS OF SALE LOCATED ON ATMEL'S WEB SITE, ATMEL ASSUMES NO LIABILITY WHATSOEVER AND DISCLAIMS ANY EXPRESS, IMPLIED OR STATUTORY WARRANTY RELATING TO ITS PRODUCTS INCLUDING, BUT NOT LIMITED TO, THE IMPLIED WARRANTY OF MERCHANTABILITY, FITNESS FOR A PARTICULAR PURPOSE, OR NON-INFRINGEMENT. IN NO EVENT SHALL ATMEL BE LIABLE FOR ANY DIRECT, INDIRECT, CONSEQUENTIAL, PUNITIVE, SPECIAL OR INCIDENTAL DAMAGES (INCLUDING, WITHOUT LIMITATION, DAMAGES FOR LOSS OF PROFITS, BUSINESS INTERRUPTION, OR LOSS OF INFORMATION) ARISING OUT OF THE USE OR INABILITY TO USE THIS DOCUMENT, EVEN IF ATMEL HAS BEEN ADVISED OF THE POSSIBILITY OF SUCH DAMAGES.** Atmel makes no representations or warranties with respect to the accuracy or completeness of the contents of this document and reserves the right to make changes to specifications and product descriptions at any time without notice. Atmel does not make any commitment to update the information contained herein. Unless specifically provided otherwise, Atmel products are not suitable for, and shall not be used in, automotive applications. Atmel's products are not intended, authorized, or warranted for use as components in applications intended to support or sustain life.

©2007 Atmel Corporation. All rights reserved. Atmel®, logo and combinations thereof, and Everywhere You Are® are the trademarks or registered trademarks, of Atmel Corporation or its subsidiaries. Other terms and product names may be trademarks of others.



Printed on recycled paper.

## Free Manuals Download Website

<http://myh66.com>

<http://usermanuals.us>

<http://www.somanuals.com>

<http://www.4manuals.cc>

<http://www.manual-lib.com>

<http://www.404manual.com>

<http://www.luxmanual.com>

<http://aubethermostatmanual.com>

Golf course search by state

<http://golfingnear.com>

Email search by domain

<http://emailbydomain.com>

Auto manuals search

<http://auto.somanuals.com>

TV manuals search

<http://tv.somanuals.com>