

# attwood®

## Low Profile Marine Horn

11473, 11474, 11475

### Installation Instructions

Attwood marine hardware, navigational lighting, bilge pumps, and other marine accessories are specified more than any other brand by America's best-known boat manufacturers as original equipment. Look to Attwood for quality replacement parts and marine accessories.

#### SAVE THESE INSTRUCTIONS

Form Number 69309 Rev. B

03-10

#### REQUIRED FOR INSTALLATION

- Drill with  $\frac{1}{8}$ " (3mm) and  $\frac{1}{4}$ " (6mm) dia. bits.
- Screwdriver and two #10 x  $\frac{3}{4}$ " (19mm) long pan head stainless screws.
- Suitable marine sealant.
- 2-conductor, 14-gauge wire for connection to switch and power supply.
- Fuse holder with 3.0-amp (maximum) fuse.
- Push-button switch (Attwood Part No. 14396).

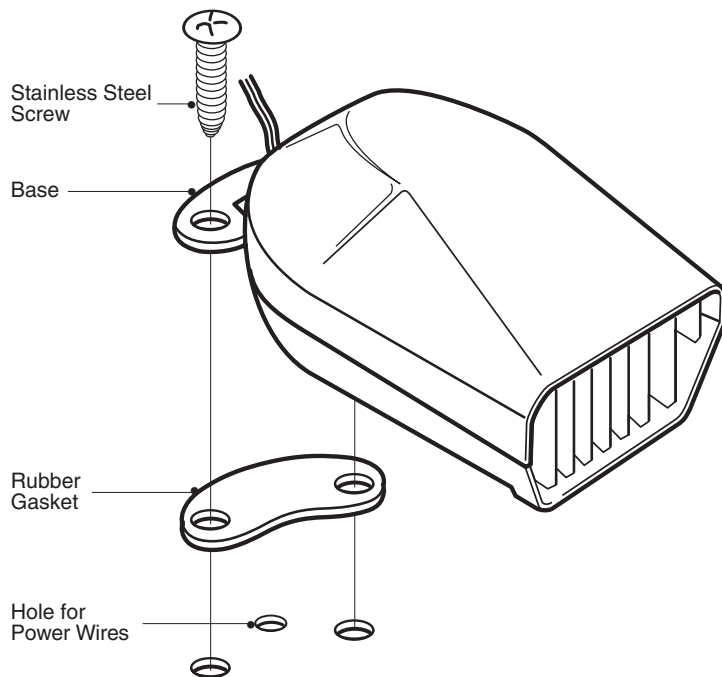
#### LOCATION

Mount horn above deck in an area not directly exposed to wave action.

#### MOUNTING INSTRUCTIONS

1. Place horn in desired location. Use base to mark pilot holes for mounting screws.
2. Drill two  $\frac{1}{8}$ " (3mm) pilot holes. If necessary drill a third  $\frac{1}{4}$ " (6mm) diameter hole for routing power wires. (See Figure 1.)
3. Attach power wires to suitable switch, 3.0-amp fuse, and power source.

Figure 1



4. Insert mounting screws through base and the supplied rubber gasket. Use #10 stainless screws to fasten horn to deck. Apply marine sealant to horn base and wire hole.

© 2003 Attwood Corporation  
1016 N. Monroe Street, Lowell, MI 49331-0260 [www.attwoodmarine.com](http://www.attwoodmarine.com)

## Free Manuals Download Website

<http://myh66.com>

<http://usermanuals.us>

<http://www.somanuals.com>

<http://www.4manuals.cc>

<http://www.manual-lib.com>

<http://www.404manual.com>

<http://www.luxmanual.com>

<http://aubethermostatmanual.com>

Golf course search by state

<http://golfingnear.com>

Email search by domain

<http://emailbydomain.com>

Auto manuals search

<http://auto.somanuals.com>

TV manuals search

<http://tv.somanuals.com>