

ATWOOD ELECTRIC WATER HEATER LIMITED WARRANTY

Atwood Mobile Products warrants to the original owner and subject to the below mentioned conditions, that this product will be free of defects in material or workmanship for a period of two years from the original date of purchase.

Atwood's liability hereunder is limited to the replacement of the product, repair of the product, or replacement of the product with a reconditioned product at the discretion of the manufacturer. This warranty is void if the product has been damaged by accident, unreasonable use, neglect, tampering or other causes not arising from defects in material workmanship. This warranty extends to the original owner of the product only and is subject to the following conditions:

- For a period of two years from the date of purchase, Atwood will replace the complete water heater if the inner tank leaks due to corrosion. This warranty includes reasonable labor charges required to replace the complete water heater.
- For two years from the date of purchase, Atwood will repair or replace any part defective in material or workmanship. This warranty includes reasonable labor charges, required to remove and replace the part. Service calls to customer's location are not considered part of these charges and are, therefore, the responsibility of the owner.
- This warranty does not cover the following items classified as normal maintenance:
 - adjustment of pressure-temperature relief valve
- In the event of a warranty claim, the owner must contact, in advance, either an authorized Atwood Service Center or the Atwood Service Department. Warranty claim service must be performed at an authorized Atwood Service Center (a list will be provided at no charge) or as approved by the Consumer Service Department, Atwood Mobile Products, 1120 North Main St., Elkhart, IN 46514 USA. Phone: (574-264-2131).**

- Return parts (or water heater) must be shipped to Atwood "Prepaid". Credit for shipping costs will be included with the warranty claim. The defective parts (or water heater) become the property of Atwood Mobile Products and must be returned to the Consumer Service Department, Atwood Mobile Products, 6320 Kelly Willis Road, Greenbrier, TN 37073 USA.
- This warranty applies only if the unit is installed according to the in-stallation instructions provided and complies with local and state codes.
- The warranty period on replacement parts (or water heater) is the unused portion of the original warranty period or ninety (90) days, whichever is greater.
- Damage or failure resulting from misuse (including failure to seek proper repair service), misapplication, alterations, water damage, or freezing are the owner's responsibility.
- Atwood does not assume responsibility for any loss of use of vehicle, loss of time, inconvenience, expense for gasoline, telephone, travel, lodging, loss or damage to personal property or revenues. Some states do not allow the exclusion or limitation of incidental or consequential damages, so the above limitations or exclusions may not apply to you.
- Any implied warranties are limited to two (2) years. Some states do not allow limitations on how long an implied warranty lasts, so the above limitation may not apply to you. This warranty gives you specific legal rights and you may also have other rights which vary from state to state.
- Replacement parts (components or tanks) purchased outside of the original water heater warranty carry a 90 day warranty. This includes the part at no charge and reasonable labor charges to replace it.

This Atwood heater is designed for use in recreational vehicles for the purpose of heating water as stated in the "data plate" attached to the water heater. Any other use, unless authorized in writing by the Atwood Engineering Department, voids this warranty.

GARANTIE LIMITÉE POUR CHAUFFE-EAU ÉLECTRIQUE ATWOOD

Atwood Mobile Products garantit ce produit à l'acheteur initial, suivant les termes stipulés ci-dessous, contre tout défaut de matériel ou de fabrication, pendant une période de deux ans à compter de la date d'achat.

La responsabilité d'Atwood décrite ci-dessous se limite au remplacement, à la réparation ou au remplacement du produit par un produit reconditionné, à la discrétion du fabricant. La présente garantie est annulée si le produit est endommagé du fait d'un accident, d'une utilisation non raisonnable, d'une négligence, d'une modification du produit ou de toute autre cause non liée au matériau ou à un vice de fabrication. La présente garantie ne s'applique qu'à l'acheteur initial et elle est soumise aux conditions suivantes :

- Pendant une période de deux ans, à compter de la date d'achat, Atwood remplacera tout le chauffe-eau si le réservoir interne fuit pour des raisons de corrosion. La présente garantie couvre les frais raisonnables de main-d'œuvre nécessaires au remplacement du chauffe-eau.
- Pendant deux ans, à compter de la date d'achat, Atwood réparera ou remplacera toute pièce trouvée défectueuse en raison du matériau ou d'un vice de fabrication. La présente garantie couvre les frais raisonnables de main-d'œuvre nécessaires au retrait et au remplacement de la pièce. Les visites pour l'entretien chez le client ne sont pas prises en charge et restent donc la responsabilité du client.
- La présente garantie ne couvre pas les articles suivants, qui sont considérés comme faisant partie de l'entretien régulier :
 - réglage de la soupape de décharge de type pression-température
- Dans l'éventualité d'une réclamation de garantie, l'acheteur doit contacter, à l'avance, soit un centre de service Atwood agréé, soit le Service à la clientèle Atwood. La réclamation de garantie doit être exécutée dans un centre de service Atwood agréé (une liste vous sera fournie gratuitement) ou selon les procédures reconnues par le Service clientèle Atwood (Consumer Service Department) Atwood Mobile Products, 1120 North Main St., Elkhart IN 46514 États-Unis. Téléphone : (574-264-2131).
- Les pièces retournées (ou le chauffe-eau) doivent être expédiées à Atwood, tout port payé. Un avoir pour les frais d'expédition sera compris avec la réclamation de garantie. Les pièces défectueuses (ou le chauffe-eau) deviennent la propriété

d'Atwood Mobile Products et doivent être retournées à Consumer Service Department, Atwood Mobile Products, 6320 Kelly Willis Road, Greenbrier, TN 37073 États-Unis.

- La présente garantie est valide uniquement si l'unité est installée selon les consignes d'installation fournies, en conformité avec les codes locaux et nationaux.
- La période de garantie pour les pièces de remplacement (ou le chauffe-eau) est la période inutilisée de la période de garantie initiale ou quatre-vingt dix (90) jours, selon ce qui est le plus long.
- Tout dommage ou toute déficience résultant d'une mauvaise utilisation (y compris le manquement à faire effectuer les réparations nécessaires), d'une mauvaise mise en application, de modifications, de dommages causés par l'eau ou par le gel relèvent de la responsabilité de l'acheteur.
- Atwood n'est aucunement responsable de l'impossibilité d'utiliser le véhicule, de toute perte de temps, de tout dérangement et de tous frais d'essence, de téléphone, de déplacement, de logement, de perte ou de dommages aux biens personnels ou de perte de revenus. Certains États ne permettent pas l'exclusion ou la limitation des dommages accessoires ou indirects ; il est donc possible que les limitations ou exclusions ci-dessus ne s'appliquent pas à votre cas.
- Toute garantie implicite est limitée à une période de deux (2) ans. Certains États ne permettent pas de limiter la période d'une garantie implicite, donc il est possible que la limite ci-dessus ne vous concerne pas. La présente garantie vous accorde des droits légaux particuliers mais il est également possible que vous ayiez certains droits supplémentaires, selon les États.
- Les pièces de remplacement (composantes ou réservoirs) achetées en dehors de la garantie initiale du chauffe-eau sont couvertes par une garantie de 90 jours ; ceci comprend la pièce sans frais et les frais raisonnables de main-d'œuvre découlant du remplacement.

Ce chauffe-eau Atwood est conçu pour utilisation en véhicule de plaisance et dans le but de chauffer l'eau, comme le stipule la plaque signalétique fixée au chauffe-eau. Toute autre utilisation, à moins d'une autorisation écrite du Service technique Atwood, annule la présente garantie.



1120 North Main Street • Elkhart, IN 46514

PHONE: 574•264•2131 FAX: 574•206•9713

INTERNET: <http://www.atwoodmobile.com>

ENGLISH, FRANÇAIS (CANADA)

LITERATURE NUMBER MPD 93757

MARINE WATER HEATER

ALL ELECTRIC

•Installation •Operation •Maintenance

Effective 11/19/07

SAFETY INFORMATION

FOR YOUR SAFETY

READ ALL INSTRUCTIONS BEFORE OPERATING APPLIANCE
REFER TO THE RATING PLATE FOR MODEL NUMBER

SAFETY ALERT SYMBOLS

Safety Symbols alerting you to potential personal safety hazards. Obey all safety messages following these symbols.



WARNING

avoid possible injury or death



CAUTION

avoid possible injury and/or property damage

Installer: Provide these instructions to the consumer.
Consumer: Keep documents for future reference.



**WARNING
FIRE**

- Do not smoke or have any flame near an open faucet.

If you have not used this water heater for more than two weeks, hydrogen gas may result. Under these conditions to reduce the risk of injury, open the hot water faucet for several minutes at the kitchen sink before you use any electrical appliance connected to hot water system.

If hydrogen is present, you will probably hear sounds like air escaping through the pipe as water begins to flow. Allow the water to flow until these sounds disappear.

INSTALLATION

- Position water heater on plywood floor (5/8" minimum). Locate at or below engine level.
- MODELS EHM4 & EHM6:** Secure to flooring with eight No. 12 x 3/4" wood screws through the front and rear hold-down bracket. See FIG 1-C.
MODELS EHP10, EHM11, E20, & EH20: Secure to flooring with eight 12-24 UNC nuts and bolts and eight No. 12 type A washers (not included). See FIG 1-C.
- Connect both 1/2" NPT water lines (FIG 1-A hot water outlet female and FIG 1-B cold water inlet female). Always use pipe lubricant on threads when connecting hot and cold water couplings. It is recommended that a suitable plastic fitting be used.
- Fill water heater tank and check all connections for water leaks (FIG 1-A & B).
- Connect 5/8" diameter SAE 20R3 or equivalent coolant hose to heat exchange tubes at rear or front of water heater (FIG 3-D). Use a SAE J536a type E hose clamp or equivalent.

FOR COOLANT LINE CIRCUIT:

Push hose end (with clamp attached) onto tube as far as possible. Spread hose clamp, slide it past annular groove and release (FIG 3 A,B,C,D).

EHP-10 MODEL WATER HEATER INSTALLATION: FIG 4

Install the normally closed vacuum valve (4-A) and vacuum-operated water valve (4-B) as shown in. Install these controls as close to the vacuum source as possible. Connect electric operated vacuum valve to the temperature control system (provided).



**WARNING
SCALDING INJURY**

- Install only the specified temperature control system.

- Bleed air from the entire coolant system for proper operation of both engine and water heater.
- Connect electric supply at junction box (FIG 1-D) with armored cable or conduit with capacity of 1400 watts or greater (wiring FIG 5-6).
NOTE: For marine installation, use conductors as specified by sub chapter S, part 183.425, table 5 of chapter 1 - Coast Guard Department of Transportation Code of Federal Regulations Title 33.
- To ground water heater, connect grounding wire from electrical service to the green wire.



WARNING

EXPLOSION

MARINE INSTALLATION ONLY

- Locate switch in an area where ignition protection is not required.

- EHM6, EHM11, EHP-10, E20 AND EH20:** Use UL LISTED ON/OFF switch rated for 15 amps/125V AC.
EHM6-220, EHM11-220, E20-220 and EH20-220: Use UL LISTED ON/OFF switch rated for 10 amps/220-240V AC.
- Fill the heater with water. Open the hot water faucet connected to the heater until all air is gone.
- EHM6, EHM11, EHP-10, E20 and EH20:** Connect to 110-120V AC supply (see wiring FIG 5).
EHM6-220, EHM11-220, E20-220 and EH20-220: Connect to a 220-240V AC supply (see wiring FIG 6).
- Thermostat is factory set and is not adjustable.
- Replace cover.



CAUTION

PRODUCT DAMAGE

- Do not operate without water in tank

- Turn remote switch to ON. Your water heater is now operating.
NOTE: This water heater is equipped with temperature & pressure relief valve that complies with the standard for Relief Valves & Automatic Gas Shutoff Devices for Hot Water Systems, ANSI Z21.22. (FIG 2).
NOTE: Allow for complete drainage of both valve and discharge line.



WARNING

SCALDING

- Pressure temperature relief valve is not serviceable, it must be replaced.
- Tampering with valve will result in scalding injury.
- Tampering with valve will void warranty.



WARNING

EXPLOSION

- Do not place a valve, plug or reducing coupling on outlet port of pressure temperature relief valve or block the discharge opening.
- If you use a discharge line, do not use a reducing coupling or other restriction that is smaller than the outlet of the relief valve.
- Install temperature and pressure equipment, required by local codes, to protect against excessive pressures and temperatures.
- The Combination Temperature and Pressure relief valve must be installed into the water heater coupling provided and marked.
- Orient the valve or provide tubing so that any discharge from the valve will exit only within 6 inches above, or at any distance below the structural floor and cannot contact any live electrical part.

**⚠ WARNING
EXPLOSION**

FOR REPLACEMENT PARTS:

- Do not install anything less than a combination temperature-pressure relief valve certified by a nationally recognized testing lab that maintains periodic inspection of product of listed equipment or materials, as meeting the requirements for Relief Valves and Automatic Gas Shutoff Devices for Hot Water Supply Systems, ANSI Z21.22. This valve must have a maximum set pressure not to exceed 150 psi.
- Installation must conform with local codes or in the absence of local codes, American National Standard for Recreational Vehicles, ANSI A119.2/NFPA 501C.
- If you use an external electrical source, ground this unit in accordance with National Electrical Code ANSI/NFPA70. All wiring must comply with the applicable electrical codes.
- Use electrical metallic tubing, flexible metal conduit, metal clad cable, or nonmetallic-sheathed cable with grounding conductor. Wire must have a capacity of 1400 watts or greater. The wiring method must conform to the applicable sections of article 551 of the National Electrical Code ANSI/NFPA 70.

**⚠ CAUTION
PRODUCT DAMAGE**

- Label all wires before disconnecting when servicing controls.
- Verify proper operation after servicing.
- When using Romex® with a bare earth ground, take care to position ground wire so it does not contact the heating element terminals.

OPERATION

1. Check to be sure water completely fills the water heater tank.
2. Locate remote water heater operation switch. (see vehicle owners manual for location of switch).
3. Turn remote switch to ON.

**⚠ CAUTION
PRODUCT FAILURE**

- Inspect for leaks.

A leak in the heat exchanger or its connecting line could cause loss of coolant and subsequent engine failure.

We recommend install provide a means for by-passing the engine coolant heat exchanger located on water heater. Frequently inspect connecting lines and heater to insure that a leak has not developed.

**⚠ WARNING
SCALDING INJURY**

- Engine coolant circulating through the heat exchanger for more than two hours will create excessively hot water.

NOTE: The EHP-10 is equipped with a thermostatically controlled high efficiency heat exchange system which will prevent the water from becoming excessively hot.

4. This water heater is equipped with a manual reset high-temperature limit switch. If it should need to reset:
 - a. Turn the remote switch to the OFF position.
 - b. Remove the access cover. (see FIG 1-D)
 - c. Depress button on the high-temperature limit switch.
 - d. Replace access cover. Be sure you also replace insulation in cover.
 - e. If it malfunctions again, contact an authorized Atwood Service Center or 574-264-2131.

MAINTENANCE

1. Inspect all lines to and from the heat exchanger at regular intervals.

**⚠ WARNING
SCALDING INJURY**

- Turn off water heater and wait for storage water to cool before opening the drain plug to flush the tank.

WINTERIZING (FLUSHING) INSTRUCTIONS

To insure the best performance of your water heater and add to the life of the tank, periodically drain and flush the water heater tank. Before long term storage or freezing weather drain and flush the tank.

1. Turn off main water supply (the pump or water supply (the pump or water hook up source).
 2. Drain Water Heater Tank by removing the drain plug. If the water flows sporadically or trickles instead of a steady stream of water, we recommend the following action; first open the Pressure Temperature Relief Valve to allow air into the tank and secondly, take a small gauge wire or coat hanger and poke through the drain opening to eliminate any obstructions.
 3. After draining the tank, because of the placement of the Drain Plug, approximately two quarts of water will remain in the tank. This water contains most of the harmful corrosive particles. To remove these harmful corrosive particles flush the tank with either air or water. Whether using air or water pressure, it may be applied through the inlet or outlet on the rear of the tank or the Pressure Temperature Relief Valve. (If using the Pressure Temperature Relief Valve the Support Flange must be removed). The pressure will force out the remaining water and the corrosive particles.
- If you use water pressure, pump fresh water into the tank with the assistance of the on-board pump or use external water for 90 seconds to allow the fresh water to agitate the stagnant water on the bottom of the tank and force deposits through the drain opening. Continue repeating adding water and draining until the particles have been cleared from the water remaining in the tank.
4. Replace the Drain Plug and close the Pressure Temperature Relieve Valve. the approximately two quarts of water remaining in the tank after draining will not cause damage to the tank should freezing occur.

PRESSURE-TEMPERATURE RELIEF VALVE

**⚠ WARNING
EXPLOSION**

- Do not place a valve, plug or reducing coupling on outlet part of pressure-temperature relief valve.

A Pressure Temperature Relief Valve, dripping while the water heater is running, DOES NOT mean it is defective. During normal expansion of water, as it is heated in the closed water system of a recreation vehicle, the Pressure Temperature Relief Valve will sometimes drip. The Atwood water heater tank is designed with an internal air gap at the top of the tank to reduce the possibility of dripping. In time, the expanding water will absorb this air and it must be restored.

**⚠ WARNING
SCALDING INJURY**

- Turn off water heater before opening pressure-temperature relief valve to establish air space. Storage water must be cool.

TO REPLACE THE AIR GAP FOLLOW THESE STEPS:

1. Turn off main water supply (the pump or water hook up source).
2. Let water cool or let run until cool.
3. Open the hot water faucet closest to the water heater.
4. Pull handle of pressure temperature relief valve straight out and allow water to flow until it stops.
5. Allow pressure temperature relief valve to snap shut; close faucet; turn on water supply.
6. Turn on water heater and test.

- At least once a year manually operate pressure-temperature relief valve (FIG 10).
- When pressure-temperature relief valve discharges again, repeat above procedure. For a permanent solution, we recommend one of the following:
- Install a pressure relief valve in cold water inlet line to water heater and attach a drain line from valve to outside of coach. Set to relieve at 100-125 PSI.
 - Install a diaphragm-type expansion tank in cold water inlet line. Tank should be sized to allow for expansion of approximately 15 oz. of water and pre-charged to a pressure equal to water supply pressure. These devices can be obtained from a plumbing contractor or service center.

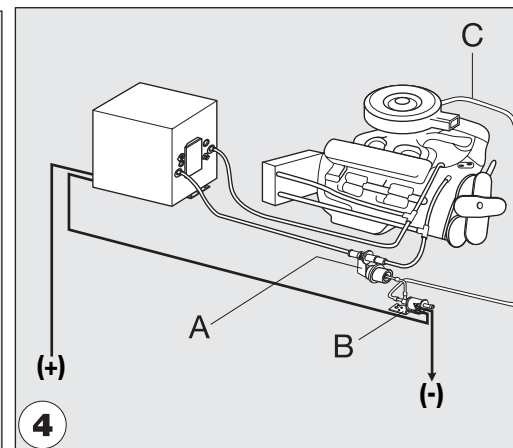
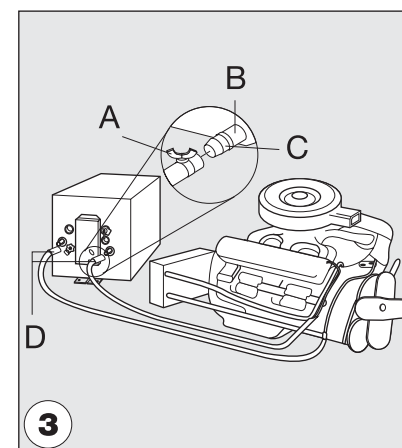
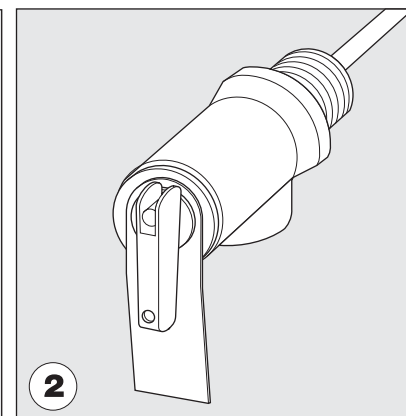
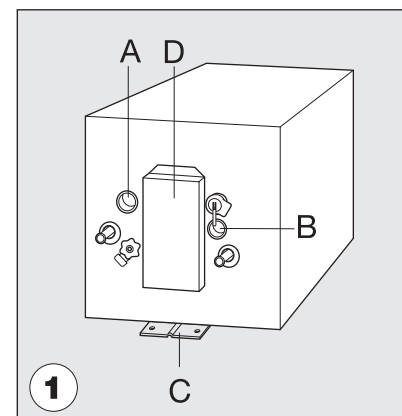


Schéma de câblage pour unités de 110 VCA

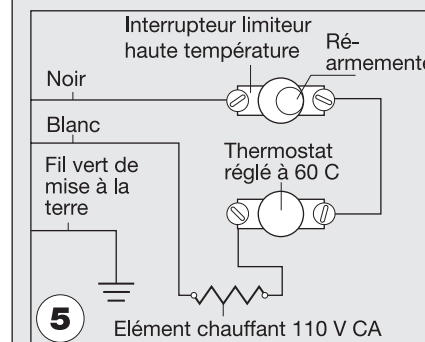
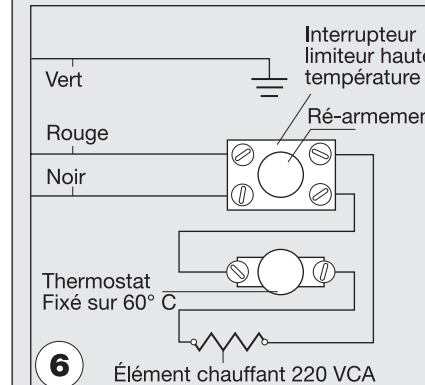


Schéma de câblage pour unités de 220 VCA



RINCER POUR ÉLIMINER LES MAUVAISES ODEURS

Une odeur d'œuf pourri (sulfure d'hydrogène) pourra se dégager du fait de l'action électrolytique du matériau de gainage qui dégage de l'hydrogène de l'eau. En cas de présence de soufre dans l'alimentation en eau, l'eau et le soufre se mélangent pour donner une odeur désagréable.

1. Couper l'alimentation principale en eau. Évacuer l'eau du réservoir du chauffe-eau et réinstaller le bouchon de vidange. Retirer la soupape de décharge de type pression-température. Préparer une solution de 4 parts de vinaigre blanc pour 2 parts d'eau. Au moyen d'un entonnoir, verser la solution à l'intérieur du réservoir, avec précaution.
2. Effectuer 4 à 5 cycles du chauffe-eau avec la solution indiquée ci-dessus en laissant fonctionner normalement.
3. Retirer le bouchon de vidange et évacuer toute l'eau du réservoir. Rincer le chauffe-eau pour en éliminer tout sédiment. Il est possible de rincer le réservoir avec de l'air sous pression ou avec de l'eau fraîche. Appliquer la pression soit sur les clapets d'arrivée ou de sortie à l'arrière du réservoir, soit au raccord de la soupape de décharge de type pression-température se trouvant à l'avant de l'unité.

POUR RINCER LE RÉSERVOIR AVEC DE L'AIR SOUS PRESSION :

L'air sous pression devra passer par le raccord de la soupape de décharge de type pression-température. Le robinet de vidange ouvert, l'air sous pression forcera l'eau restante à s'écouler de l'unité.

POUR RINCER LE RÉSERVOIR AVEC DE L'EAU SOUS PRESSION :

Il faudra pomper de l'eau fraîche dans le réservoir, soit avec la pompe transportée à bord, soit avec de l'eau sous pression externe. Continuer le processus de rinçage pendant environ 5 minutes ; ceci permet à l'eau fraîche de remuer l'eau stagnante du fond du réservoir et de pousser les dépôts par l'orifice d'évacuation.

4. Replacer le bouchon de vidange et la soupape de décharge de type pression-température.
5. Remplir le réservoir avec de l'eau fraîche ne contenant pas de soufre. Le chauffe-eau Atwood est conçu pour être utilisé dans les véhicules de plaisance. Si vous utilisez votre véhicule fréquemment ou pour des périodes prolongées, rincer le chauffe-eau plusieurs fois par an permettra de prolonger la vie du réservoir d'alimentation.

1. Couper l'alimentation principale en eau (la pompe ou la source d'apport en eau).
2. Laisser l'eau refroidir ou la laisser couler jusqu'à ce qu'elle soit froide.
3. Ouvrir le robinet d'eau chaude le plus proche du chauffe-eau.
4. Tirer la poignée de la soupape de décharge de type pression-température vers soi et laisser l'eau couler, jusqu'à ce qu'elle s'arrête.
5. Laisser la soupape de décharge de type pression-température revenir brusquement en position fermée ; fermer le robinet ; ouvrir l'alimentation en eau.
6. Allumer le chauffe-eau et le tester.

- Faire fonctionner manuellement la soupape de décharge de type pression-température au moins une fois par an (FIG 10).
- Lorsque la soupape de décharge de type pression-température s'écoule à nouveau, répéter la procédure ci-dessus. Pour une solution permanente, nous vous conseillons l'une des choses suivantes :
- Installer une soupape de décharge de type pression-température dans la conduite d'arrivée d'eau froide du chauffe-eau et fixer une conduite d'évacuation sur la vanne extérieure du véhicule. Régler la limite sur 680 à 850 kPa.
 - Installer un réservoir d'expansion de type membrane dans la conduite d'arrivée d'eau froide. Le réservoir devrait permettre une dilatation d'environ 426 ml d'eau et une mise sous pression égale à la pression de l'alimentation en eau. Ces dispositifs sont disponibles chez un plombier ou dans un centre de service.

AVERTISSEMENT EXPLOSION

- Ne pas placer de valve, de bouchon, ni de raccord de réduction sur l'orifice de sortie de la soupape de décharge de type pression-température et ne pas bloquer l'ouverture d'évacuation.
- En cas d'utilisation d'un tuyau de vidange, ne pas utiliser de raccord de réduction ou tout autre dispositif plus petit que la sortie de la soupape de décharge.
- Installer l'équipement de température et de pression requis par les codes locaux, pour protéger l'unité des excès de pression et de température.
- La soupape de décharge combinée de type pression-température doit être installée sur le raccord du chauffe-eau prévu et marqué à cet effet.
- Orienter la soupape ou fournir suffisamment de tuyauterie pour que toute évacuation de la soupape s'effectue à moins de 15 cm du haut, ou à n'importe quelle distance sous le plancher de structure, de façon à ne pas entrer en contact avec les pièces électriques sous tension.

PIÈCES DE REMPLACEMENT :

- Installer au minimum une soupape de décharge combinée de type température-pression, homologuée par un laboratoire de test reconnu au niveau national, qui inspecte régulièrement les produits d'équipement ou de matériaux concernés, selon les normes pour les soupapes de décharge et les mécanismes de coupure automatique de l'alimentation en gaz pour systèmes à eau chaude ANSI Z21.22. Le réglage de la pression de la soupape ne doit pas dépasser 1034 kPa.
- L'installation doit être conforme aux codes locaux ou, faute de codes locaux, à la norme américaine nationale pour véhicules de plaisance ANSI A119.2/NFPA 501C.
- En cas de source électrique externe, mettre cette unité à la terre selon le National Electrical Code (Code électrique national américain) ANSI/NFPA70. Tout le câblage doit se conformer aux codes électriques en vigueur.
- Utiliser un tubage métallique électrique, une conduite métallique souple, un câble blindé ou un câble gainé non métallique accompagné d'un conducteur de mise à la terre. Le câblage doit avoir une capacité de 1 400 watts au minimum. La méthode de câblage doit se conformer aux sections en vigueur de l'article 551 du National Electrical Code (code électrique américain) ANSI/NFPA 70.

AVERTISSEMENT ENDOMMAGEMENTS DU PRODUIT

- Lors de la réparation des commandes, étiqueter tous les fils avant de les déconnecter.
- Vérifier le bon fonctionnement après réparation.
- Lorsqu'on utilise Romex® avec une mise à la terre nue, faire attention de placer le fil de mise à la terre de manière à ce qu'il n'entre pas en contact avec les bornes de l'élément de chauffe.

FONCTIONNEMENT

1. S'assurer que l'eau remplisse complètement le réservoir du chauffe-eau.
2. Localiser l'interrupteur de fonctionnement à distance du chauffe-eau (Cf Manuel du propriétaire de véhicule pour l'emplacement de l'interrupteur).
3. ALLUMER l'interrupteur à distance.

ATTENTION PANNE DU PRODUIT

- Vérifier qu'il n'y a pas de fuites.

Une fuite dans l'échangeur de chaleur ou la ligne de connexion pourrait entraîner la perte de réfrigérant et ultérieurement une panne de moteur.

Il est recommandé que l'installateur fournisse un moyen de contourner l'échangeur de chaleur de réfrigérant de moteur situé sur le chauffe-eau. Il est également recommandé d'inspecter fréquemment les lignes de connexion et le chauffe-eau pour s'assurer qu'aucune fuite ne s'est créée.

ATTENTION BRÛLURES

- Lorsque le réfrigérant de moteur circule dans l'échangeur de chaleur pendant plus de deux heures, l'eau est excessivement chaude.

REMARQUE : le modèle EHP-10 est muni d'un système d'échange de chaleur de très haute efficacité, contrôlé par un thermostat, qui évite que la température de l'eau ne devienne excessive.

4. Ce chauffe-eau est muni d'un interrupteur limiteur de haute température à réarmement manuel. S'il est nécessaire de ré-armer :
 - a. Mettre l'interrupteur à distance en position ÉTEINTE (OFF).
 - b. Retirer le couvercle d'accès (Cf FIG 1-D).
 - c. Appuyer sur le bouton de l'interrupteur limiteur de haute température.
 - d. Replacer le couvercle d'accès. S'assurer également de remettre l'isolant dans le couvercle.

e. Si cette défaillance se répète, contacter un centre de service agréé Atwood ou composer le 574-264-2131.

ENTRETIEN

1. Inspecter régulièrement toutes les conduites allant et provenant de l'échangeur de chaleur.

ATTENTION BRÛLURES

- Fermer le chauffe-eau et attendre que l'eau emmagasinée soit refroidie avant d'ouvrir le robinet de drainage et de vider le réservoir.

INSTRUCTIONS POUR L'HIVERNAGE (RINÇAGE)

Pour assurer le meilleur rendement de votre chauffe-eau et prolonger la vie du réservoir, évacuer et rincer régulièrement le réservoir du chauffe-eau. Avant le rangement à long terme ou avant l'arrivée du gel, évacuer et rincer le réservoir.

1. Couper l'alimentation principale en eau (la pompe ou la source d'apport en eau).
2. Évacuer l'eau du réservoir du chauffe-eau en retirant le bouchon de vidange. Si l'eau coule de façon irrégulière ou goutte au lieu de couler à jet normal, nous vous conseillons tout d'abord d'ouvrir la soupape de décharge de type pression-température, pour permettre à l'air d'entrer dans le réservoir. Ensuite, à l'aide d'un fil de fer de petit diamètre ou d'un porte-manteau, piquer à l'intérieur de l'orifice d'évacuation, de façon à éliminer toute obstruction.
3. Une fois le réservoir vide, étant donné l'emplacement du bouchon de vidange, il restera environ 2 litres d'eau dans le réservoir. Cette eau contient la plus grande partie des particules corrosives dangereuses. Pour retirer ces particules corrosives dangereuses, rincer le réservoir soit avec de l'air, soit avec de l'eau. Que vous utilisiez de l'air ou de l'eau sous pression, l'application peut se faire soit par l'entrée, soit par la sortie située à l'arrière du réservoir ou de la soupape de décharge de type pression-température. (En cas d'utilisation de la soupape de décharge de type pression-température, il faudra d'abord retirer le rebord de sécurité). La pression force l'eau et les particules corrosives restantes à s'évacuer.

En cas d'utilisation d'eau sous pression, pomper de l'eau fraîche dans le réservoir à l'aide d'une pompe transportée ou utiliser de l'eau externe pendant 90 secondes, de façon à permettre à l'eau fraîche de remuer l'eau stagnante se trouvant au fond du réservoir et de propulser les dépôts par l'orifice d'évacuation. Continuer à rajouter de l'eau et à évacuer, jusqu'à ce que l'eau restant dans le réservoir ne comporte plus aucune particule.

4. Replacer le bouchon de vidange et fermer la soupape de décharge de type pression-température. La quantité d'eau (environ 2 litres) restant au fond du réservoir suite à la vidange ne causera pas de dommage au réservoir en cas de gel.

SOUPAPE DE DÉCHARGE DE TYPE PRESSION-TEMPÉRATURE

AVERTISSEMENT EXPLOSION

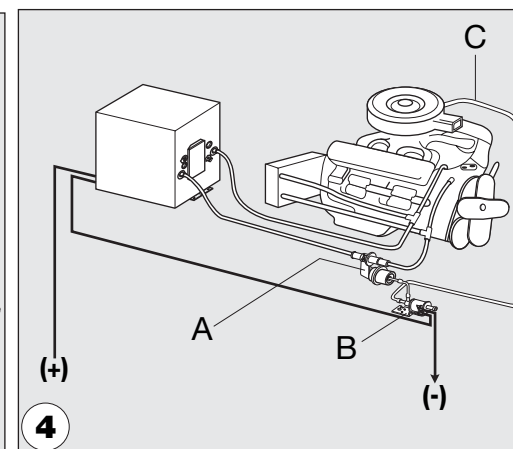
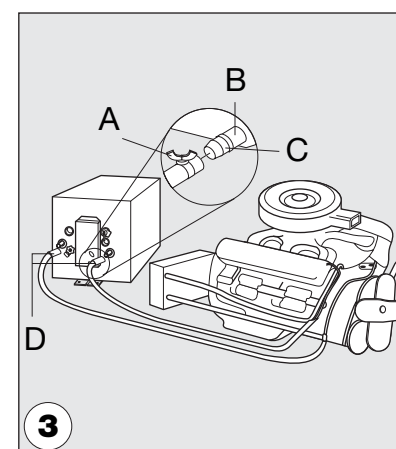
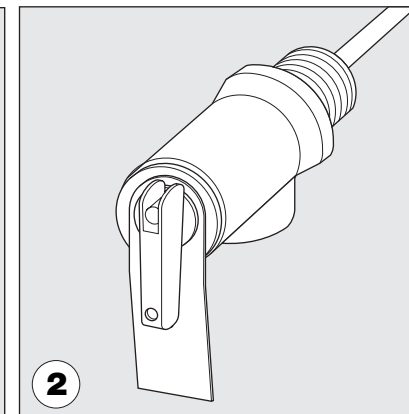
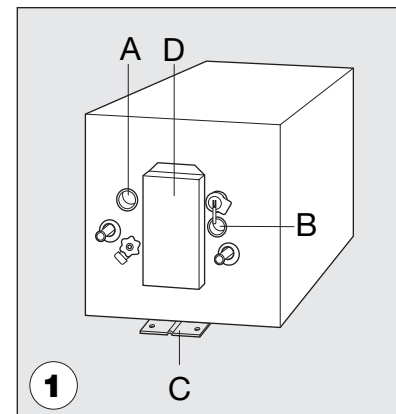
- Ne pas placer de robinet, de bouchon ou de raccord de réduction sur la sortie de la soupape de décharge de type pression-température.

Lorsqu'une soupape de décharge de type pression-température goutte pendant le fonctionnement du chauffe-eau, cela NE SIGNIFIE PAS qu'elle est défectueuse. La soupape de décharge goutte parfois du fait d'une expansion naturelle de l'eau, lorsque celle-ci est chauffée à l'intérieur du réseau d'alimentation en eau d'un véhicule de plaisance. Le réservoir du chauffe-eau Atwood comporte un intervalle d'air interne en haut du réservoir, permettant de réduire les risques d'égouttement. Au fil du temps, l'expansion de l'eau absorbe cet air et l'intervalle doit être rétabli.

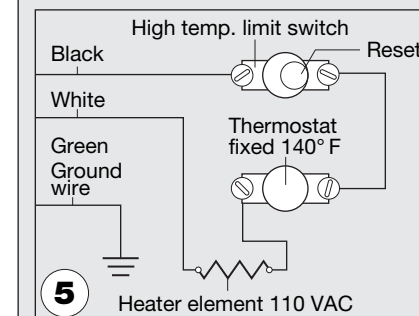
AVERTISSEMENT BRÛLURES

- Couper le chauffe-eau avant d'ouvrir la soupape de décharge de type pression-température et de rétablir l'intervalle d'air. L'eau contenue dans le réservoir doit être froide.

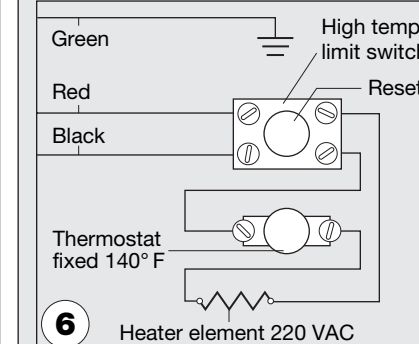
POUR RÉTABLIR L'INTERVALLE D'AIR, SUIVRE LES ÉTAPES SUIVANTES :



Wiring Diagram for 110V AC Units



Wiring Diagram for 220V AC Units



FLUSHING TO REMOVE UNPLEASANT ODOR

A rotten egg odor (hydrogen sulfide) may be produced when the electro galvanic action of the cladding material releases hydrogen from the anode. If sulfur is present in the water supply the two will combine and produce an unpleasant smell.

1. Turn off main water supply. Drain the water heater tank and reinstall drain plug. Remove the pressure-temperature relief valve. Mix solution of 4 parts white vinegar to two parts water. With a funnel, carefully pour solution into tank.
2. Cycle water heater with the above solution, letting it run under normal operation 4-5 times.
3. Remove the drain plug and thoroughly drain all water from the tank. Flush the water heater to remove any sediment. You may flush the tank with air pressure or fresh water. Pressure may be applied through either the inlet or outlet valves on the rear of the tank or through the pressure-temperature relief valve coupling located on the front of the unit.

TO FLUSH TANK WITH AIR PRESSURE:

Insert your air pressure through the pressure-temperature relief valve coupling. With the drain valve open, the air pressure will force the remaining water out of the unit.

TO FLUSH TANK WITH WATER PRESSURE:

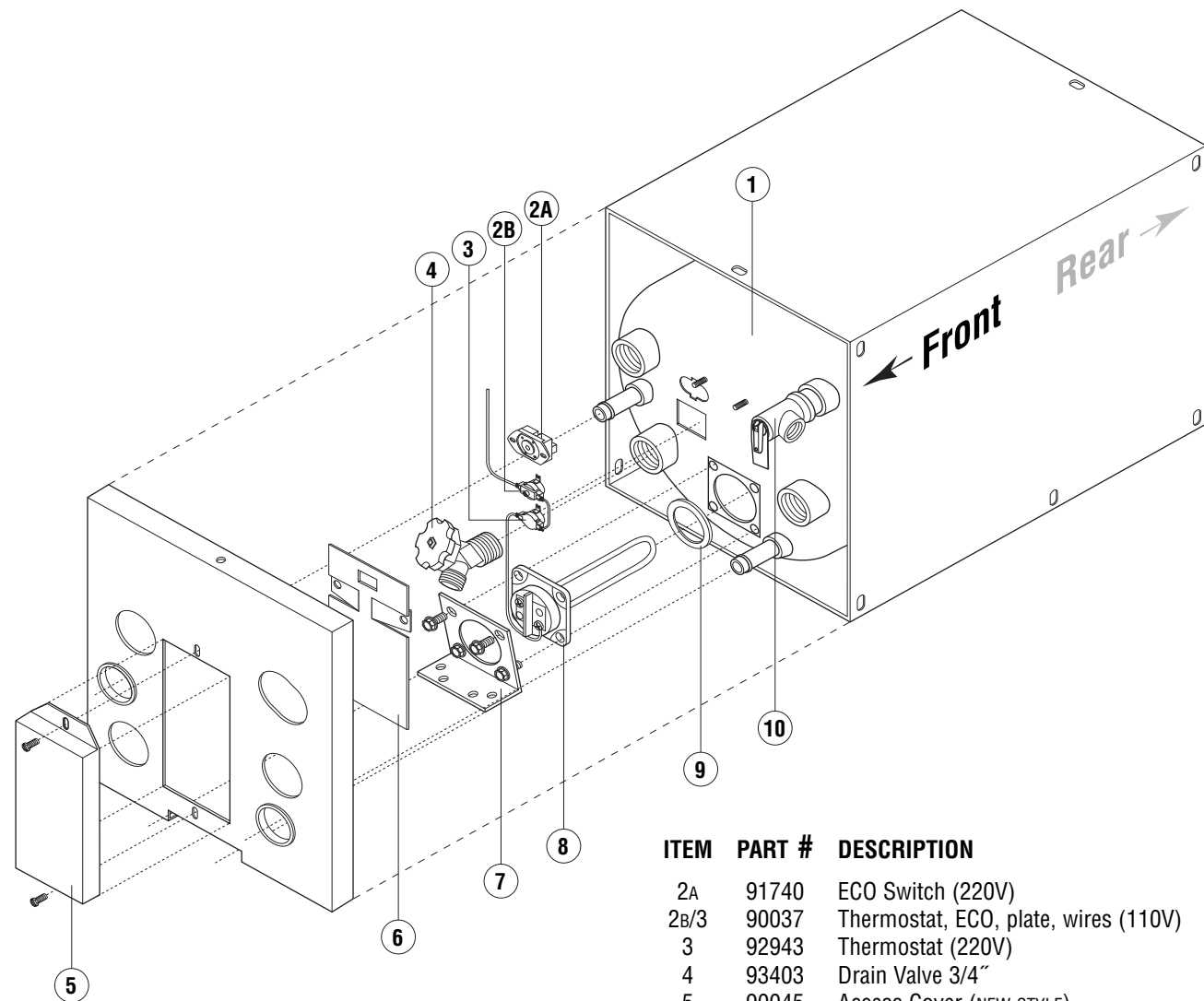
Fresh water should be pumped into the tank with either the onboard pump or external water pressure. Continue this flushing process for approximately 5 minutes, allowing the fresh water to agitate the stagnant water on the bottom of the tank and forcing the deposits through the drain opening.

4. Replace drain plug and pressure-temperature relief valve.
 5. Refill tank with fresh water that contains no sulphur.
- The Atwood water heater is designed for use in a recreation vehicle. If you use your vehicle frequently or for long periods of time, flushing the water heater several times a year will prolong the life of the storage tank.

EHM 4-SM
EHM 6-SM
EHM 11-SM
EHM 20

ELECTRIC WATER HEATER

ALL MARINE WATER HEATER CAPACITIES



ITEM	PART #	DESCRIPTION
2A	91740	ECO Switch (220V)
2B/3	90037	Thermostat, ECO, plate, wires (110V)
3	92943	Thermostat (220V)
4	93403	Drain Valve 3/4"
5	90045	Access Cover (NEW STYLE)
6	92236	Insulator
7	91479	Front & Rear Hold Down Bracket (4 & 6 gal)
	91489	Front & Rear Hold Down Bracket (11 & 20 gal)
8	91580	Heating Element (110V) and gasket
	91851	Heating Element (220V) and gasket
9	92679	Gasket Heating Element (110V)
	91098	Gasket Heating Element (220V)
10	91604	Relief Valve (150 psi)
	92655	Relief Valve (75 psi)
N/S	91459	Thermostat for Solenoid Valve (EHP10)
N/S	91782	Solenoid Valve (EHP10)
N/S	91781	Water Valves (EHP10)



1120 North Main Street • Elkhart, IN 46514
PHONE: 574•264•2131 FAX: 574•206•9713
INTERNET: <http://www.atwoodmobile.com>

ENGLISH, FRANÇAIS (CANADA)

NUMÉRO DE BROCHURE MPD 93757

CHAUFFE-EAU POUR BATEAUX

UNIQUEMENT ÉLECTRIQUE

•Installation •Fonctionnement •Maintenance

En vigueur à partir du 29/7/04

INFORMATIONS SUR LA SÉCURITÉ

- POUR VOTRE SÉCURITÉ, LIRE TOUTES LES DIRECTIVES AVANT DE FAIRE FONCTIONNER L'APPAREIL.
- CONSULTER LA PLAQUE SIGNALÉTIQUE POUR CONNAÎTRE LE NUMÉRO DU MODÈLE.

SYMBOLES DE SÉCURITÉ

Ces symboles de sécurité vous signalent les risques potentiels de blessures. Respectez toutes les consignes de sécurité qui suivent ces symboles.



AVERTISSEMENT
évitte les blessures ou les accidents mortels



ATTENTION
évitte les blessures et/ou les dommages matériels

Installateur : fournir ces directives au consommateur.

Consommateur : conserver ces documents pour référence future.



AVERTISSEMENT INCENDIE
• Ne pas fumer ni tenir de flamme près d'un robinet ouvert. Le gaz hydrogène est extrêmement inflammable.

S'il y a plus de deux semaines que vous avez utilisé le chauffe-eau, il se peut que de l'hydrogène se soit formé. Dans ces conditions, avant d'utiliser tout appareil électrique branché sur le système d'eau chaude, faire couler l'eau du robinet d'eau chaude de l'évier de la cuisine pendant plusieurs minutes pour réduire le risque de blessures. En cas de présence d'hydrogène, vous entendrez probablement l'air s'échapper du tuyau, lorsque l'eau commence à couler. Laisser l'eau couler, jusqu'à ce qu'il n'y ait plus de bruit d'air sortant.

INSTALLATION

1. Positionner le chauffe-eau sur un plancher de bois (0,25 cm au minimum). Le placer au niveau du moteur ou plus bas.
2. **MODÈLES EHM4 & EHM6:**
Fixer au plancher à l'aide de huit vis à bois No. 12 x 0,30 cm sur l'avant et l'arrière du support de maintien; Cf FIG 1-C.
MODÈLES EHP10, EHM11, E20, & EH20:
Fixer au plancher à l'aide de huit écrous et boulons 12-24 UNC et de huit rondelles de type A No. 12 (non incluses); Cf FIG 1-C
3. Brancher les deux conduites d'eau de 1,27 cm NPT (FIG 1-A, sortie femelle d'eau chaude et FIG 1-B entrée femelle d'eau froide). Toujours utiliser de la graisse pour tuyau sur les filets lors de la connexion des raccords d'eau chaude et d'eau froide. L'utilisation d'un raccord en plastique convenable est recommandée.
4. Remplir le réservoir du chauffe-eau et s'assurer qu'il n'y a pas de fuite d'eau dans les différents raccords (FIG 1-A & B).
5. Connecter un tuyau de réfrigérant SAE (Society of Automotive Engineers - Société des ingénieurs en automobile) 20R3 de 0,25 cm de diamètre ou un tuyau équivalent, aux tubes d'échange de chaleur de l'avant ou de l'arrière du chauffe-eau (FIG 3-D). Utiliser un collier de tuyau E de type SAE J536a ou l'équivalent.

CIRCUIT DE RÉFRIGÉRANT :

Pousser l'extrémité du tuyau (muni du collier) aussi loin que possible sur le tube. Ouvrir le collier de tuyau, le faire glisser au-delà de la rainure annulaire, puis relâcher (FIG 3-A, B, C, D).

INSTALLATION MODÈLE DE CHAUFFE-EAU EHP-10 : FIG 4

Installer la soupape à vide normalement fermée (4-A) et le robinet de prise d'eau à commande sous vide (4-B) comme le montre l'illustration. Installer ces commandes le plus près possible de la source à vide. Connecter la soupape à vide à commande électrique au système de commande de température (fourni).



AVERTISSEMENT BRÛLURES

CHAUFFE-EAU MODÈLE EHP-10 :

- Installer uniquement le système de commande de température spécifié.

6. Purger l'air de tout le système réfrigérant pour un fonctionnement adéquat du moteur et du chauffe-eau.
7. Connecter l'alimentation électrique à la boîte de jonction (FIG 1-D), à l'aide d'un câble ou d'un conduit armé, d'une capacité de 1400 watts au minimum (câblage FIG 5-6).
REMARQUE: dans le cas d'une installation sur bateau, utiliser des conducteurs, ainsi qu'il est spécifié dans le sous-chapitre S, section 183.425, tableau 5 du chapitre 1 - Coast Guard Department of Transportation Code of Federal Regulations (Code des règlements fédéraux, Département des transports de garde-côte), Titre 33.
8. Pour la mise à la terre du chauffe-eau, connecter le câble de mise à la terre du coffret de branchement au fil vert.



AVERTISSEMENT EXPLOSION

INSTALLATION MARITIME UNIQUEMENT

- Mettre l'interrupteur dans un endroit où la protection contre l'allumage n'est pas nécessaire.

9. **EHM6, EHM11, EHP-10, E20 ET EH20 :**
Utiliser l'interrupteur marche/arrêt (ON/OFF) normalisé UL et d'une capacité nominale de 15 ampères/125 VCA.
EHM6-220, EHM11-220, E20-220 et EH20-220 :
Utiliser l'interrupteur marche/arrêt (ON/OFF) normalisé UL et d'une capacité nominale de 10 ampères/220-240V CA.
10. Remplir d'eau le chauffe-eau. Laisser couler le robinet d'eau chaude connecté au chauffe-eau jusqu'à ce que tout l'air soit évacué.
11. **EHM6, EHM11, EHP-10, E20 et EH20 :**
Connecter à l'alimentation 110-120 VCA (Cf câblage FIG 5).
EHM6-220, EHM11-220, E20-220 et EH20-220 :
Connecter à l'alimentation 220-240 VCA (Cf câblage FIG 6).
12. Le thermostat est réglé en usine et n'est pas ajustable.
13. Remettre le couvercle.



ATTENTION ENDOMMAGEMENT DU PRODUIT

- Ne pas faire fonctionner le chauffe-eau sans eau.

14. Mettre l'interrupteur à distance en position ALLUMÉE (ON). Votre chauffe-eau est maintenant en marche.
REMARQUE : ce chauffe-eau est muni d'une soupape de décharge de type pression-température, conforme à la norme sur les soupapes de décharge et les mécanismes de coupure automatique de l'alimentation en gaz pour systèmes à eau chaude ANSI Z21.22 (FIG 2).
REMARQUE : bien laisser l'écoulement de la soupape et du tuyau de vidange se terminer.



AVERTISSEMENT BRÛLURES

- La soupape de décharge de type pression-température ne se prête pas aux réparations, elle devra être remplacée.
- Toucher à la soupape risque de provoquer des brûlures.
- Toucher à la soupape annulera la garantie.

Free Manuals Download Website

<http://myh66.com>

<http://usermanuals.us>

<http://www.somanuals.com>

<http://www.4manuals.cc>

<http://www.manual-lib.com>

<http://www.404manual.com>

<http://www.luxmanual.com>

<http://aubethermostatmanual.com>

Golf course search by state

<http://golfingnear.com>

Email search by domain

<http://emailbydomain.com>

Auto manuals search

<http://auto.somanuals.com>

TV manuals search

<http://tv.somanuals.com>