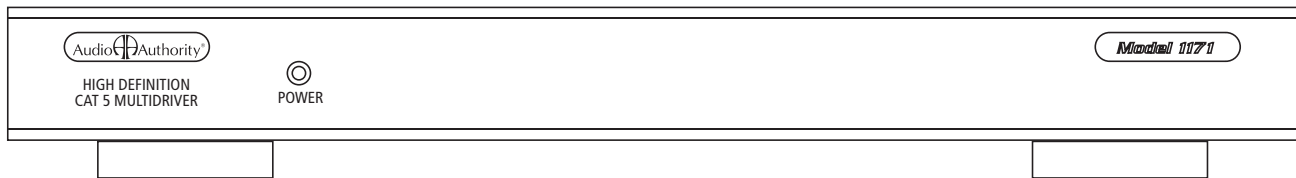


Installation and Operation



Model 1171 High Definition Cat 5 MultiDriver™

Audio  Authority®

Installation and Operation Manual

Model 1171 High Definition Cat 5 MultiDriver™

Cwfkq"Cwvjqtqv{"cpf"vjg"Fqwdng/C"U{ o dqn"ctg"tgi kuvgtgf"vtc fgo ctmu"qh"Cwfkq"Cwvjqtqv{"Eqtr0"
CwvqUgnge"ku"c"vtc fgo ctm"qh"Cwfkq"Cwvjqtqv{0"Eqr {tki jv"Pqxdg o dgt."4228."cmn"tki jvu"tgugtxgf0

Cwfkq"Cwvjqtqv{"Eqtrqtevkqp
Ngzkipi vqp."Mgpvwem{

Table of Contents

Yctkpiu	5
Igwkpi"Uvctvgf	6
I gpgtcn"Kphat o cvkap	6
Ectvap"Eapvzvpu	6
Qvjgt"Ocvgtkenu" [qw"Oc{"Pggf	6
Rcpgn" Fguetkrvkqpu	7
Kpucnncvkap	8
Vtqwdngu jqqvki	:
Qrgtcvkqp	:
UrgekEecvkqpu	:
Jqqmwr" Fkic to	32
Ycttcpr{"Uvcvg o gpv	33

Warnings

Vq"tgfweg"vjg"tkum"qh"Etg"qt"gngevtke"ujqem."fq"pqv"gzrqug"vjku"wpkv"vq"tckp"qt" o qkuvwtg()



Vjg"gzenc o cvkqp"rqkpv"u{ o dqncngtvu"wugtu"vq"ko rqtvcpr"qrgtcvkpi"cpf" o ckpvpgcpeg"kpvtwevkqpu
kp"viku" o cpwcn()

- Tgcf"vjgug"kpvtwevkqpu"dghqtg"kpucnncpi"qt"wukpi"vjku"rtqfwev()
- Fq"pqv"cr rn{"rqygt"vq"vjku"u{uvgo"wpvkn"cn"ecdngu"jcxg"dggp"vguvgf"cpf"eqppgevkqpu"xgtkE'gf()
- Vjku"rtqfwev" o wuv"dg"kpucnngf"d{"swenkE'gf"rgtuqppgn()
- Fq"pqv"qrgp"vjg"eqxgt ô vjgtg"ctg"pq"wugt/ugtxkegcdng"rctvu"kpukfg()
- Fq"pqv"gzrqug"vjku"wpkv"vq"gzeguukxg"jgcvt()
- Kpucnncppn{"kp"ft{"kpfqqt"nqecvkqpu()
- Engcp"vjg"wpkv"qpn{"ykvj"c"ft{"qt"unki jvn{"fc o rpgpf"uqhv"enqvj()

Getting Started

- Tgcf"vi gus"kpvtwvkapu0
- Wprcem"vjg"rtqfwev"cpf"kvu"ceeguqtkgu0
- Eqppgev"cuuqekcvgf"gs wkr o gpv"*fgvckngf"kpvtwvkapu"ctg"hqwpf"kp"vjg"Kpucvncvkap"Ugevkqp+
- Eqppgev"vjg"rtqfwev"vq"u wkvcdng"rqygt"qwnvng"wkupi"qpn{"vjg"rqygt"uwr rn{"rtqxfkgf0

General Information

Vjg"Oqfgn"3393."y jgp"eq o dkgpf"y kvj"Oqfgn"; :9:"Ecv"7"J FVX"Eqppgevkap"Rncvgu"*Ycnnrncvgu+."gpcdngu J FVX"uk i pnu"vq"dg"fkvtdwvfg"vq"o wvkrng"nqecvkapu"htq o "c"ukp ing"uqwtg0"Eq o r qpgpv"xfkgq"* [RdRt+."cpcnq i uvgtgq"cwfkq."cpf"eqczkcn"fk i kvcn"cwfkq"ecp"dg"kpenwfgf"kp"gcej"v y q/ecdng"Ecv"7"rcvj y c{0"D{"eqppgevki"KT tg o qvg"eqpvtqn"tgegkxgtu"vq"vjg"; :9:"Ycnnrncvgu"cpf"cp"kphtctgf"fkvtdwvkap"u{uvg o "vq"vjg"Oqfgn"3393."wugtu ecp"gcukn{"eqpvtqn"uqwtg"gs wkr o gpv"htq o "qvjgt"tg o qvg"nqecvkapu0

Kp"eqplwpevkqp"y kvj"Oqfgn"; :9:"Ycnnrncvgu."vjg"Oqfgn"3393"rtqxfkgu"fkvtdwvkap"qh"cwfkq."xkfgq"cpf"KT eqpvtqn"uk i pnu"qp"Ecv"7"ecdng"twpu"qh"wr"vq"3.222"hggt0"Vjg"dwhhgtgf"Ecv"7"dwu"qwwr wvu"qp"vjg"Oqfgn"3393 ftkxg"htq o "qpg"vq"ukz"; :9:"Ycnnrncvgu0"Vq"gzrcpf"vjg"Ycnnrncvgecrcekv{"qh"vjg"u{uvg o."wr"vq"ukz"Oqfgn"3392u o c{"dg"uvcemgf"y kvj"qpg"Oqfgn"3393."hqt"vqvcn"ecrcekv{"qh"64"Ycnnrncvgu0"Ycnnrncvgu"ctg"rqygtgf"d{"vjg Oqfgn"3393"qt"3392"vq"y jkej"vjg{"ctg"eqppgevfg0

Vjg"Oqfgn"3393"ku"y gnn"uwkvf"vq"tgukfgpvkcn"wug"cu"y gnn"cu"rtqhgukqpcn"cr rnkecvkapu"uwej"cu"tgvcn"uvqtgu. enwdu"cpf"eiwteigul

Vq"o cmg"ceq o rngvg"cwfkqkfgq"fkvtdwvkap"u{uvg o."{qw"o c{"pggf"vq"cff"qpg"qt"o qtg"Oqfgn"3392u."c pw o dgt"qh"Oqfgn"; :9:u."kphtctgf"tg o qvg"eqpvtqn"cpf"KT"fkvtdwvkap"gs wkr o gpv0

Carton Contents

- Oqfgn"3393"Jki j"FGŁpkvkqp"Ecv"7"OwvkvFtkxgt I
- 3:/xqnv"Rqygt"Uwr rn{"
- Wugt"Ocpwcn

Other Materials You May Need

- Ecvgiqt{"7g"qt"8"ecdng"cpf"rnwiu"*Kpucvncvkap"Vkr<"wug"c"fkhhgtgpv"eqnqt"ecdng"lcemgv"hqt"C"cpf"D"ecdngu+
- Wpkxgtucn"kphtctgf"tg o avg"eapvtanu"hat"Oafgn"; :9:u
- Kphtctgf"tg o qvg"eqpvtqn"tgegkxgtu"htq"Oqfgn"; :9:."uwej"cu"Zcpvgej I"4;3/22"*ugg"0Wukpi"Eq o rcvkdng"Kphtc/ tgf"Rtqfwev"0"cv"vjg"gpf"qh"vjku"o cpwcn+
- Kphtctgf"o kwet"hat"uawteg

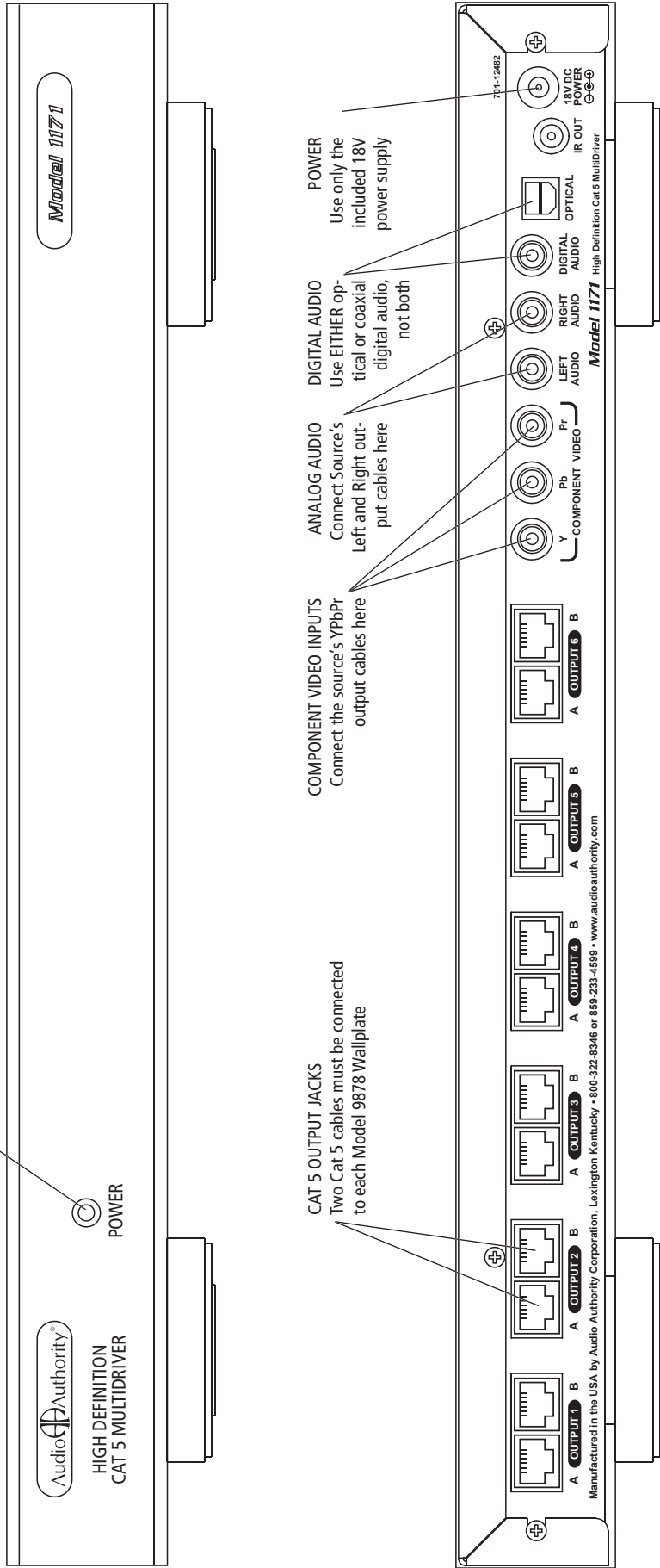
Suggested Accessories

- Oqfgn"3392"Jki j"FGŁpkvkqp"Ecv"7"OwvkvFtkxgt I"Gzrcpfgtu
- Oqfgn"; :9:"Ecv"7"J FVX"Eqppgevkap"Rncvgu"*Ycnnrncvgu+
- Oqfgn"33;3"TCem"Oqwpvki"Cfcrvgtu"ugewtg"vjgug"o qfgnu"kp"3;/kpej"tcemu
- Oqfgn":24/789"6/rtv"dwu"ecdng ô hqt"wr"vq"5"gzrcpfgtu
- Oqfgn":24/78:"9/rtv"dwu"ecdng ô hqt"wr"vq"8"gzrcpfgtu

Panel Descriptions

U i a v p " d g m a v " c t g " v i g " h t a p v " c p f " d c e m " x i g v u " a h " v i g " 3 3 9 3 0

POWER INDICATOR
A green LED indicates the presence of power.



Installation

Vjku"rtqfwew"ujqwnf"dg"kpucvncngf"d{"c"swcnkŁgf"ewuvq o "gngevtqpkeu"kpucvncngf

- Stacking.** "Hqnnqy"vjgug"uvgru"kh" {qw"ctg"kpucvncngf"vjku"rtqfwew"kp"uvcem"ykvj"qpg"qt" oqtg"Oqfgn3392u0
cu Nc{"vjg"Oqfgn"3393"wrufg"fqyp"qp"rtqfvevkvxg"uwthceg."uwej"cu"vgtt{enqvj"vqygn0
d Tgoqxg"vjg"hwqwt"hggn"cpf"vjg"dwu"rtqv"eqxgt"cpf"ucxg"vjg o "cpf"vjgkt"cwcejkpi"uetgyu"htnccvgt"wu0
e Rnwi"qpg"gpf"qh"vjg"dwu"ecdng"*rwtejcugf"ugrctcvgn{"+kpqv"vjg"eqppgevqt"xlukdng"vtqwi j"vjg dwu"rtqv ô cr rn{"gpqwi j"rtguwtg"ykvj"y"yqqfgp"qt"rncvke"vqqn"vq"cuuwtg"vjcv"vjg"rnwi"ku eq o r n g v g n {"ugcvgf0"C"egpvgt"rqntk|kpi"mg{"ku"nqecvgt"qp"vjg"vqr"qh"gej"dwu"rnwi0"Pqvg"vjcv vjgtg"ku"ctki j"gpf"cpf"y"tqi"gpf"vq"vjg"dwu"ecdng0
f Vwtp"vjg"Oqfgn"3392"vq"dg"uvcemgf"wrufg"fqyp."vtgcf"vjg"dwu"ecdng"vtqwi j"kvu"dwu"rtqv. cpf"gpici g"kvu"hwqwt"vtgcfgf"uvwfu"ykvj"vjg"hwqwt"vtgcfgf"jqngu"kp"vjg"Oqfgn"3393"htogtn{ qeewrkf" d {"vjg"hggn0
g Vki jvgp"vjg"jgz"jgcf"uetgyu"kp"vjg"dqvvq o "qh"vjg"uvcemkpi"rtqfwew"kp"ugswgpeg"chgy"vwtpu gcej."wpvkn"vjg{"ctg"cnm"nkijvn{"upwi0
h Rnwi"vjg"pgzv"rnwi"qh"vjg"dwu"ecdng"kpqv"vjg"eqppgevqt"cu"kp"30e0
i Eqpvkpwg"vjku"uvcemkpi"rtqefwtg"wpvkn"cnm"wpkvu"jcxg"dgpp"uvcemgf0" Cnyc{u"rnwi"vjg"ncuv eqppgevqt"qh"vjg"dwu"kpqv"vjg"dqvvq o "wpkv."rwujkpi"cp{"gzegu"ecdng"kpqv"vjg"g o rv{"urceg kpukfg"vjg"wpkv0"Xlgy"vjg"dwu"vtqwi j"vjg"dwu"rtqv"vq"dg"uwtg"cnm"rnwi"u"ctg"hwgn{"ugcvgf0
j Kpucvncngf"vjg"dwu"rtqv"eqxgt"cpf"hggn{"qw"tgoqxg"htq o "Oqfgn"3393"qp"vjg"dqvvq o "Oqfgn"3392 cpf"vwtv"vjg"uvcem"tkijv"ukfg"wr
- Rack Mount Adapters.** "Fq"vjgug"uvgru"kh" {qw"ctg"kpucvncngf"vjku"rtqfwew"qt"uvcem"qh"rtqfwewu"kp" c 3;/kpej"gswrkogpv"tcm0
cu  Tgoqxg"vjg"eqxgt"uetgyu"cfcegpv"vq"vjg"htqpv"rcpgn"qh"gej"rtqfwew"cpf"wug"vjg o "vq" o qwpv Oqfgn"33;3"tcm"cfcrvgtu0"Dg"uwtg"vq"rnceg"ce{"nkpftkcn"ogvcn"urcegt"wpfgt"vjg"cfcrvgtu"cv gxgt{"uetgy"nqecvkqp0
d Wug"cu"vctki jvgfi g"vq"nkpg"wr"tcm"cfcrvgtu"qp"uvcem"qh"rtqfwew0

CAUTION
be da
used

- Placement.** "Rnceg"vjg"Oqfgn"3393"qt"uvcem"qp"kvu"ujgnh"qt"kp"vjg"tcm0"kh"tcm" o qwpvki."ugewtg"vjg 3393"qt"uvcem"vq"vjg"tcknu"ykvj"vjg"uetgyu"uwrnkfg"ykvj"vjg"tcm"cfcrvgt"mkvu0
- Source Hookup.** "Eqppgev"vjg"uqwtg"kp"vjgug"uvgru0
cu Eqppgev"vjg"uqwtg"wpkv"vq"vjg"TEC"kprrwv"lcemu0"Wug"iqqf"swcnk{"ecdng"cpf"mggr"vjg"twpu wpfgt"8"hggn"kh"rquukdng."gurgecnn{"ht"Eq o r qpgpv"Xkfgq"eqppgevkvpu0

d) Eqppgev"cm"vjg"uki pcnu"cxckncdng"htq o "vjg"uqwteg"wpkv<"Eq o rqpgev"Xkfgq."Fki kvcn"Cwfkq"cpf Cpcnqi "Cwfkq0"Wug"gvjgt."dww" PQV"QVJ "Qrvkecn"cpf"Eqczkn" Fki kvcn"Cwfkq0

5. Wallplate Hookup. Caution! Do not connect A and B cables incorrectly. Do not apply system power until cables are tested and A and B connections are verified.

c) Rwnn"vyq"ngpi vju"qh" iqqf"swcnkv{" Ecvgi qt{"7g"qt"8"WVR"ecdng"htq o "vjg" o ckp"u{ uvgo "vq gcej" Ycnnrncvg"nqecvkqp0"Ectghwnn{" o ctm"ecdngu"qh"gej" rckt"C"cpf"D="kh"vjg{" ctg"eqppgevgf kpeqttgevn{" fc o c i g"vq"vjg" Ycnnrncvg" o c {" tguwnv0"Kv"ku"dguv"vq" wug" c" fkhhtgtpv"ecdng"lcemgv"eqnqt. qt"ncdgn"gej"gpf"htq"C"cpf"D"vq"gpwutg" rtrrgt"eqppgevkqp0

d) kpuvcnn"cp"TL/67"rnwi"qp"gej"gpf."wukpi"GKC/78:D"rcktkpi *rkpu"3/4."5/8."6/7."9/: +0"Ejgem"gej"ecdng" ykvj" c" rthguukqpcn pgvy qtm"ecdng"vguygt"dghqtg"rnwi i kpi"kv"kpqv"vjg"3322"Ugtkgu u{ uvgo 0 **Continuity testing is not adequate!** Vjg"vy kuvgf" rcktu o wuv"dg" rtrrgtn {" o cvejgf"htq"dcncpegf"nkpg"vtcpu o kuukqp0

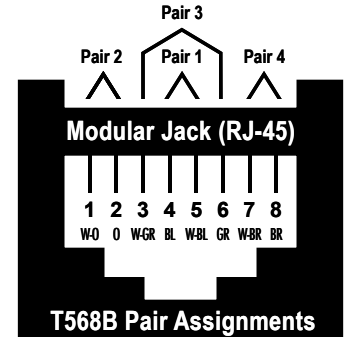


e) Rnwi"vjg"rcktu"qh"ecdngu"kpqv"vjg"qwwrww"lcemu"qp"vjg"Oqfgn Oqfgn"3392u0"Dg"uwtg"vq"rnwi"ecdngu"C"cpf"D"kpqv"vjgkt tgurgevkg"lcemu"C"cpf"D0

f) Rnwi" c" rckt"qh"ecdngu"kpqv"gej" Oqfgn"; :9: "Ycnnrncvg0"Dg"uwtg vq"rnwi"ecdng"C"kpqv"lcem"C"cpf"ecdng"D"kpqv"lcem"D0" Fq"pqv o qwpv"vjg" Ycnnrncvgu"rgt o cpgpv{" { gv0

g) Cfluwv"vjg" Ecdng"Ngpi vj"Eq o rgpucvkqp"eqpvtqn"qp"gej" Ycnnrncvg"ceeqt fki"vq"vjg"fkuvpeg ah"vi cv"wpkv"hta o "vi e" i gcf"gvf0"Uev"vi e" fkn"va"vi e"nctg"uov"ow o det"ah" i wdf tefu"ah"hg"ev"ah"ecdng fkuvpeg0"Chvgt"u{ uvgo "rqygt"wr"*ugg"8."dgnqy+"wug"cp" J F"uqwteg"cpf" fku rnc {"vq"Łpg"vwp gcej"ecdng"ngpi vj"eq o rgpucvkqp"ugvki0

f. NOTE: Mount Wallplates after initial testing.



6. Initial Testing. Rnwi"vjg"rqygt"uwr rn{" hwtpkujgf" ykvj"gej"3322"Ugtkgu" rtfwev"kpqv"kvu"tgurgevkg wpkv."cpf"rnwi"vjg"rqygt"uwr rnkgu"kpqv" c" ycnm"qwnvgv"qt"rnwi"uvtkr0

c) Ejgem"vjcv"vjg"rqygt"kp fkecvqtu"qp"vjg"Oqfgn"3393."cnn"Oqfgn"3392u"cpf"cnm" Ycnnrncvgu"ctg knnw o kpcvgo f0" Y jgp"3392u"ctg" r tguv. "cnnqy"wr"vq"3" o kpwwg"qp"kpvkcn"rqygt/wr"htq"vjg"3393 u{ uvgo "vq"Łpkuj"ugnh/cff tguukpi" dghqtg"uvctvki"cp {"vguvu0"Vjg"Oqfgn"3393"rqygt"nc o r"dnkpmu unqyn {" y jkng"cff tguukpi"ku"vcmkpi" rnceg0

d) Cr rn {"rqygt"vq"vjg"uqwteg"gswkr o gpv0

e) Ejgem"htq"engct"xfkgq"cpf"cwfkq"cv"gej" Ycnnrncvg"wukpi"cp" J F" fku rnc {"0"Oqwpv"vjg" Ycnnrncvgu0

7. Infrared Hookup. Eqppgev"cpf"ejgem"KT"u{ uvgo "eq o rqpgev"kp"vjku"uvgr0

c) Rnwi"cp"kphtctgf"Eqpvtqn" Tgegkxgt"kpqv"vjg"507 o o "lcem"qp"gej" Ycnnrncvg"vjcv"ku"vq"jcxg uawteg"eapvtan0

d) Kphtctgf" eq o o c p f u" tgvwtpgf"htq o "c" Ycnnrncvg"vq"Oqfgn"3393"ctg" tgrgcvgf"vj tqwi j"vjg"KT Qwwrww"lcem"qp"vjg"Oqfgn"33930"Rcej"vjg"KT"Qwwrww"lcem"vq"cp"kprrwv"qh"vjg"KT"eqpvtqn"u{ uvgo 0

e) KT"eq o o c p f u" tgvwtpgf"htq o "c" Ycnnrncvg"vq"Oqfgn"3393"ctg"qpn {" tgrgcvgf"vj tqwi j"vjg"KT Qwwrww"lcem"cpf" r g t h q t o " p q" h w p e v k q p" y k v j k p" v j g" u y k v e j k p i" u { u v g o 0

8. In Case of Difficulty. Kh"cv"cp {"vk o g"vjg"3393"u{ uvgo "hcknu"vq"tgurqp"cu"gzrgevfg."wug"vjg"qwnkpg"qp rci g": "vq"Łpf"vjg"ecwug"qt"pcttqy"vjg"rquukdknkvgu0

Troubleshooting Guide

Symptom Possible Cause(s)

Rkevtg"jcu"ctvkhcevu"qt"cr rgctu"urctmn{	Gzeguukxg"ecdng"ngpi vj"eq o rgpucvkqp
Fkikvcn"cwfkq"kpqr gtcvkxg	Pgkvjgt"qt"dqvj"qr vkecn"cpf"eqczkc"ecdngu"eqppgevgf"vq"uqwteg
Fqgu"pqv"tgrgcv"cp"KT"eq o o cpf	Uq o g"tg o qvgu"ecppqv"dg"rtqeguugf"d{"vjku"u{vgo = KT"Qwvrvw"pqv"eqppgevgf"vq"KT"u{uvgo
Qpg"Ycnnrncvg"kpqr gtcvkxg	Ecdngu"uy cr rgf"qt"rnwiu"kpeqttgevn{"rkppgf"qww
Ycnnrncvgu"kpqr gtcvkxg"qp"qpg Oafgn"3393"at"3392	Dwu"ecdng"nqqug"qt"rqygt"uwrrn{"wprnwi igf

Operation

Vjg"Oqfgn"3393"cpf"kvu"eq o rcpkqp"Oqfgn"3392u."kh"rtgugpv."rtqxfkg"y kfgdcpf"fkuvtkdwwkqp"qh"xkfgq"cpf
cwfkq"ukipcnu"vq"o wnvkrng"tqq o u"qt"nqecvkqpu"kp"cj q o g"qt"eq o o gtekn"dwknfkpi0"Vjg"kphtctgf"rcvjyc{"o wuv"dg
eqppgevgf"vq"ctgegkxgt"qp"vjg"Ycnnrncvg"gpf."cpf"ceq o rcvkdng"g o kvvgt"u{uvgo"qp"vjg"3393"gpf0

Kh"uq"gswwkr rgf."c"wpkxgtucn"kphtctgf"tg o qvg"oc{"dg"wugf"vq"eqpvtqn"vjg"uqwteg"gswwkrogp0"Cum" {qwt
kpuvcnngt"ht"urgekE"kpvtwevkqpu0

Model 1171 Specifications

Uwdlgev"vq"ejcpig"ykvjqwv"pqvkegl

Video Parameters

Signal Type	Component (YPbPr)
Video Formats	480i/p, 576i/p 720p, 1080i/p*
Input Impedance	75 ohms
Input Ground Isolation	No
Gain	1
Gain Accuracy	2%
3dB Bandwidth	100MHz
Input Coupling	AC
S/N Ratio	60dB
Max Gain/Equalization	1

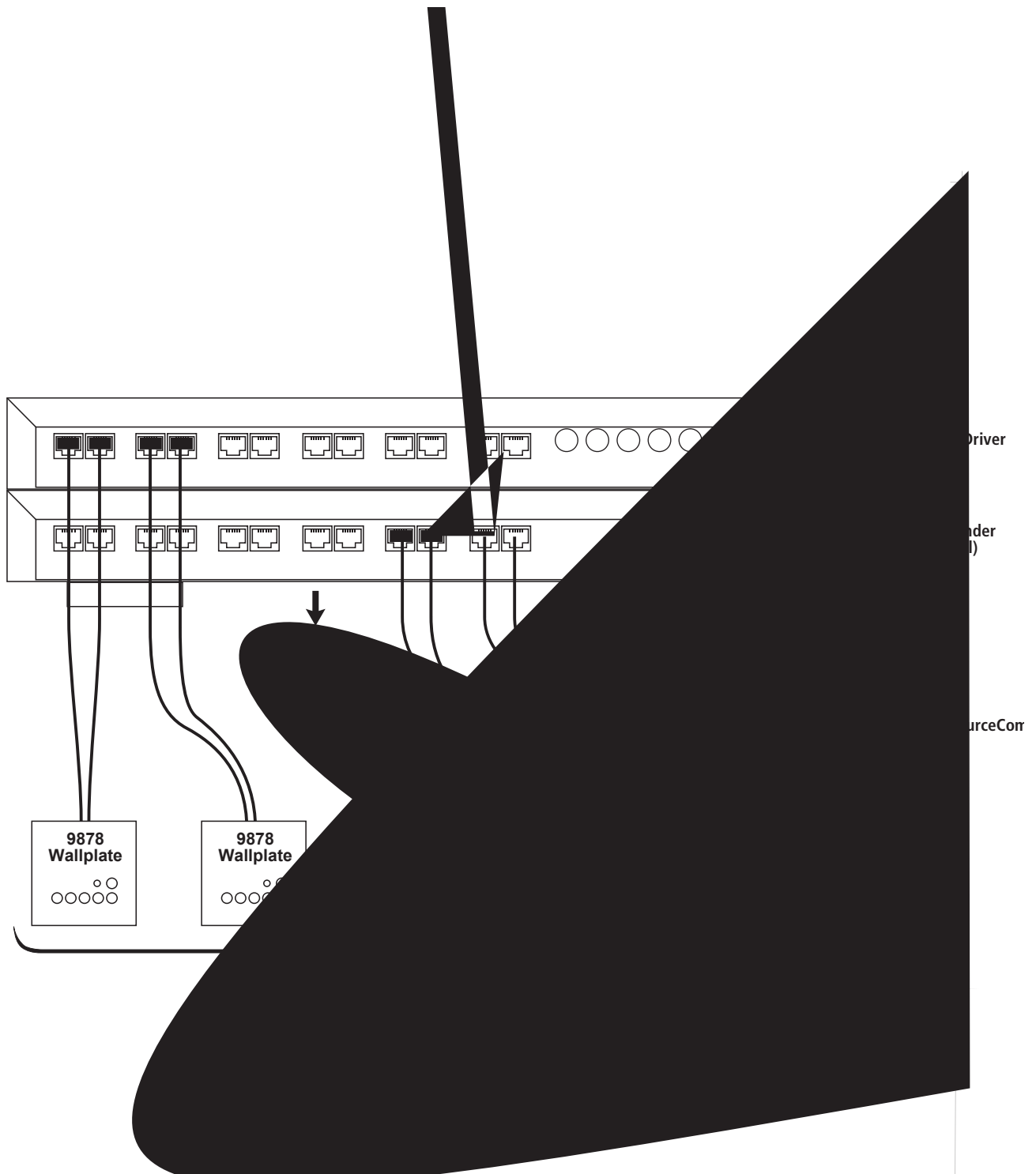
Audio Parameters

Format	Digital/Analog
Digital Audio Input Type	Coaxial/Optical
Input Impedance	75 ohms/50K ohms
Min Load Impedance	75 ohms/10K ohms
Multi-channel Digital	Yes
Frequency Response	10-50KHz
S/N Ratio	75dB
THD+Noise	.07%
Crosstalk	75dB
DC Input Connector	5.5 X 2.1mm Center +
DC Input	18 volts, 1.3 amps

* Model 1171 is compatible with most any video format (including most types of computer video) as long as the video format does not exceed the maximum bandwidth of the 1171.

1171 and 1170 Combination

Oqfgn"3393"Ecv"7"OwvkvFtkxgt"rtqxfkgu"kprrvv"eqppgevqpu"hqt"cp"JFVX"uqwtg"uwej"cu"ucvgnkv"dqz"qt
FXF"rnc{gt."cpf"wr"vq"ukz"Ycnnrncvg"qwwrwwu0"Vq"gzrcpf"vjg"pwodgt"qh"qwwrwwu."wr"vq"ukz"3392"OwvkvFtkxgt
Gzrcpfgtu"ecp"dg"cf"fgf"hqt"cvqvcn"qh"64"qwwrwwu0"Eqppgev"uvgtgq"cpncqi"cwfkq."cpf"qpg"v{rg"qh"fk"kvcn"cwfkq.
gkvjgt"qrkvcn"qt"eqczkcn0"Ugg"öWukpi"Eqo"rcvkdng"KT"Rtqfwewuö"qp"vjg"pgzv"rcig"qh"kphtctgf"eqpvtqn"rcvjyc{
hwpevkqpcnk{0

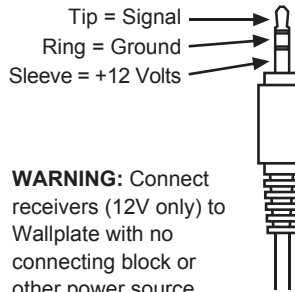


Using Compatible IR Products

Receivers are powered by 12 volts on the sleeve contact of the 9878 Wallplate IR jack. **do not use IR receivers that provide their own power or damage could result.**

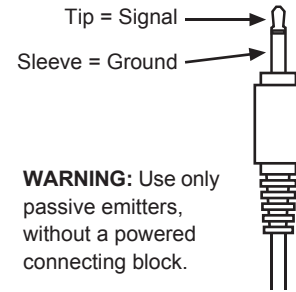
Warning: Connect receivers (12V only) to Wallplate with no connecting block or other power source.

Receiver Pinout
Receivers are powered by 12 volts on the sleeve contact of the 9878 Wallplate IR jack.



WARNING: Connect receivers (12V only) to Wallplate with no connecting block or other power source.

Emitter Pinout
A passive emitter usually has a two-conductor plug.



WARNING: Use only passive emitters, without a powered connecting block.

Limited Warranty

The warranty covers the original purchaser of the product. It is limited to the original purchaser and is not transferable. The warranty is void if the product has been used in any manner not intended by the manufacturer. The warranty is void if the product has been modified, altered, or repaired by anyone other than the manufacturer. The warranty is void if the product has been used in any environment not intended by the manufacturer. The warranty is void if the product has been used in any manner that is not in accordance with the instructions provided by the manufacturer. The warranty is void if the product has been used in any manner that is not in accordance with the safety instructions provided by the manufacturer. The warranty is void if the product has been used in any manner that is not in accordance with the legal requirements of the country of origin.

The warranty is limited to the repair or replacement of the product, at the discretion of the manufacturer. The manufacturer is not responsible for any consequential or incidental damages. The manufacturer is not responsible for any damages caused by the use of the product in any manner not intended by the manufacturer. The manufacturer is not responsible for any damages caused by the use of the product in any environment not intended by the manufacturer. The manufacturer is not responsible for any damages caused by the use of the product in any manner that is not in accordance with the instructions provided by the manufacturer. The manufacturer is not responsible for any damages caused by the use of the product in any manner that is not in accordance with the safety instructions provided by the manufacturer. The manufacturer is not responsible for any damages caused by the use of the product in any manner that is not in accordance with the legal requirements of the country of origin.

The warranty is limited to the repair or replacement of the product, at the discretion of the manufacturer. The manufacturer is not responsible for any consequential or incidental damages. The manufacturer is not responsible for any damages caused by the use of the product in any manner not intended by the manufacturer. The manufacturer is not responsible for any damages caused by the use of the product in any environment not intended by the manufacturer. The manufacturer is not responsible for any damages caused by the use of the product in any manner that is not in accordance with the instructions provided by the manufacturer. The manufacturer is not responsible for any damages caused by the use of the product in any manner that is not in accordance with the safety instructions provided by the manufacturer. The manufacturer is not responsible for any damages caused by the use of the product in any manner that is not in accordance with the legal requirements of the country of origin.



Free Manuals Download Website

<http://myh66.com>

<http://usermanuals.us>

<http://www.somanuals.com>

<http://www.4manuals.cc>

<http://www.manual-lib.com>

<http://www.404manual.com>

<http://www.luxmanual.com>

<http://aubethermostatmanual.com>

Golf course search by state

<http://golfingnear.com>

Email search by domain

<http://emailbydomain.com>

Auto manuals search

<http://auto.somanuals.com>

TV manuals search

<http://tv.somanuals.com>