



## AS-GMDLT03

## INSTALLATION GUIDE FOR THE: GM Data Bus Door Trigger Interface With Door Locking

The AS-GMDLT03 Interface module connects to the Class II Data Bus wire, (OBD2), of the vehicle and detects the vehicle's door condition (open or close), provide door lock/unlock information as well as arm/disarm for those vehicles with factory alarm systems. This device is used on Chevrolet/GMC & Cadillac, Seirra, Yukon, Denali, Light and Medium Duty Pickups, Suburbn, Tahoe, CK Series, Escalade, Avalanche and Hummer H2.

These vehicles use the on board data bus instead of a common door trigger wire. T typical installation would include the removal of door panels to connect the latch wires of each door.

The AS-GMDLT03 allows you to pick up the door open close status of the vehicle as well as provide door lock unlock signals when required. Simply connect to the alarms negative door trigger input wire, negative door lock unlock wires, connect + 12 volts, ground, and one wire to the vehicle's data bus and your done. No additional labor is required to remove panels or run trigger wires throughout the vehicle for door locks and door triggers. This module when receiving RF commands from Audiovox alarm will provide door lock/arm , door unlock drivers & disarm & or door unlock all disarm.

### Wiring The Module:

**NOTE: All wires must be verified prior to connection. If you are uncertain of a wire's function found in the DLC, (Data Link Connector), consult the shop manual or call Audiovox Technical Service (1-800-225-6074).**

#### One Side Of Interface

**Red/White:** + 12 Volts

Connect this wire to the + 12 volt constant wire found in the DLC. Typical vehicle color is Orange.

**Black:** Chassis Ground

Connect this wire to a clean unpainted metal surface in the vehicle or a pre-existing chassis ground wire. Typical vehicle color found in the DLC is Black, or Black/White.

**Purple:** Data Bus Input

Connect this wire to the data wire in the DLC connector. Typical vehicle color is Purple.

#### Other Side Of Interface

**Brown:** Negative Trigger Output

Connect this wire to the Brown negative door trigger input wire of your Audiovox alarm system.

**Red:** Lock

Connect this wire to the negative door lock wire from the Audiovox Alarm System.

**Green:** Unlock 1 Drivers Door

Connect this wire to the Green unlock 1 wire of the Audiovox Alarm System

**Red/Black:** Unlock 2 All Doors Unlock

Connect this wire to the Red/Black unlock 2 wire of the Audiovox Alarm System.

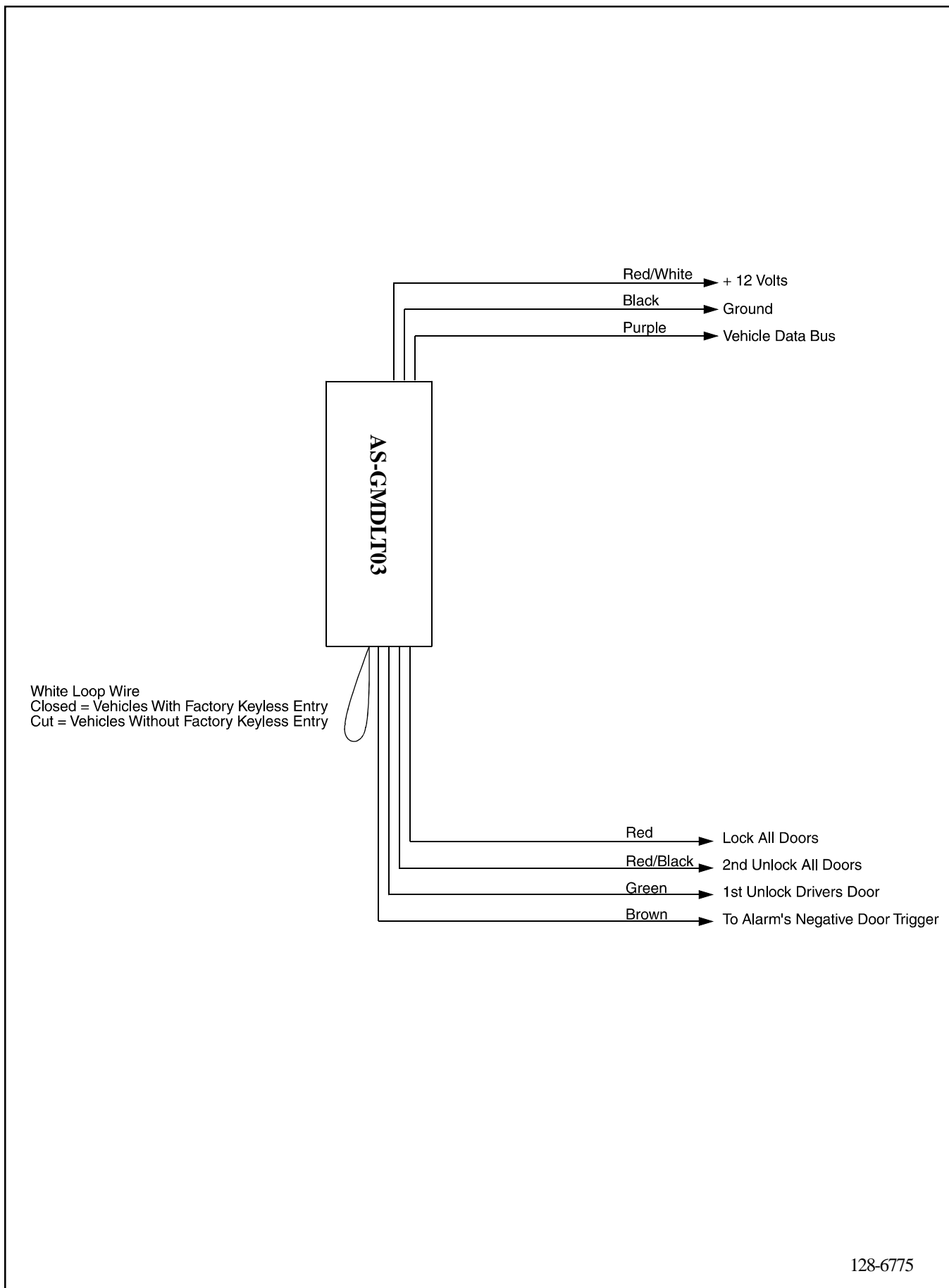
**White Loop Wire:** Keyless/Non Keyless Select

If the vehicle you are installing this interface into does have Factory Keyless Entry, then the white loop wire remains intact, (Closed)

If the vehicle you are installing this interface into does not have Factory Keyless Entry then this loop must be cut, (Open)

**NOTE:** If the vehicle does not offer separate drivers door/all door unlock feature or if the customer does not want sperate control of driver/all doors, connect the Red/Black of the interface to the green door unlock 1 wire of the Audiovox Alarm. If the Audiovox Alarm you are using does not have 3 pin door lock/unlock connector then the feature is not available and you must wire the Red/Black of the interface to the Green - door unlock wire of the Audiovox Alarm System.

**Once all wires have been connected, turn ignition on then off before testing to ensure proper initialization of the interface module.**



White Loop Wire  
Closed = Vehicles With Factory Keyless Entry  
Cut = Vehicles Without Factory Keyless Entry

## Free Manuals Download Website

<http://myh66.com>

<http://usermanuals.us>

<http://www.somanuals.com>

<http://www.4manuals.cc>

<http://www.manual-lib.com>

<http://www.404manual.com>

<http://www.luxmanual.com>

<http://aubethermostatmanual.com>

Golf course search by state

<http://golfingnear.com>

Email search by domain

<http://emailbydomain.com>

Auto manuals search

<http://auto.somanuals.com>

TV manuals search

<http://tv.somanuals.com>