



# INSTALLATION/ OWNERS MANUAL

MOBILE THEATER  
SERIES WITH  
SWIVEL MOUNT  
MIDRANGE AND  
TWEETER

6" x 9" TWO-WAY  
AND THREE-WAY  
SPEAKERS



For Customer Service  
Visit Our Website At  
[www.audiovox.com](http://www.audiovox.com)  
Product Information, Photos,  
FAQ's, Owner's Manuals

**SPECIFICATIONS**

| MODEL                | PST-692   | PST-693   |
|----------------------|-----------|-----------|
| Nominal Diameter     | 6 x 9"    | 6 x 9"    |
| Description          | 2-Way     | 3-Way     |
| Impedance            | 4 Ohms    | 4 Ohms    |
| Freq. Response (Hz)  | 40-20,000 | 40-20,000 |
| Sensitivity (dB)     | 91        | 91        |
| Input Power Handling | 175 Watts | 200 Watts |
| Magnet Weight        | 25 oz.    | 25 oz.    |
| Tweeter Size         | 25 mm     | 19 mm     |
| Mid Range Size       | N/A       | 25 mm     |
| Installation         |           |           |
| Mounting Depth       | 3 1/2"    | 3 1/2"    |

## ***PRE-INSTALLATION TIPS***

Before beginning your installation, read the following tips on proper placement of speakers and how to obtain the best sound from the speakers you have selected.

### ***No. 1:***

Always try to have the speakers aimed at the listener. Never install speakers in a manner that would direct sound toward the floor of the car. The only exception to not aiming a speaker would be the rear deck (package shelf behind rear seat). The natural curve of the rear window, combined with the wide-dispersion tendency of bass sounds, allows woofers to perform exceptionally well in this location. This is not true for high-frequency sounds which will be absorbed by the roof liner long before they reach your ears.

### ***No. 2:***

High and mid-frequency sounds are very directional (the higher the frequency, the more directional it is). This simply means that a tweeter or mid-range speaker pointing toward the floor (or roof) will only be clearly heard in the direction at which it is pointed. For this reason, it is critical that tweeters and mid-range speakers always be installed so they aim in toward the passenger area and as high in the car as possible (on top of dash or high up in door panels). Never install tweeters low in the car.

### ***No. 3:***

Select **solid** mounting panels! Always make certain the selected panel is solid and securely attached to the car. Clipped-in plastic

or fire panels make poor mounting surfaces and tend to vibrate when used. This is far more critical when installing large power producing woofers. **Mount your speakers securely!** If the speaker has four mounting holes, use all of them.

### ***No. 4:***

Woofers need “breathing” room! For a speaker to perform efficiently, it must move large amounts of air. If you restrict this airflow (try to fit a large speaker in a small space or if you undercut the recommended mounting hole size), you won’t have an efficient speaker. Conversely, the enclosure you mount them in should be somewhat sealed. In other words, if you mount speakers in door panels, don’t cut any extra holes in the door.

### ***No. 5:***

Tweeters can go in places other speakers can’t. They don’t need “breathing” room or reinforced mounting panels. All they require is directional placement. (See tip No. 2.)

### ***No. 6:***

Never let any part of the speaker (except the mounting flange) touch any part of the car. You’ll be amazed what noises a speaker (and your car) can produce when one touches the other.

### ***No. 7:***

Don’t skimp on the quality of the speaker wiring. All Audiovox speakers include wiring rated to properly transmit the normal power load the speaker is designed for.

## INSTALLATION INSTRUCTIONS

**CAUTION:** Do not mount the speakers in the following locations:

- Where the door window glass comes in contact with the speaker.
- Where the speaker comes in contact with the window crank handles or gear assemblies when rotated.
- Where the speakers come in contact with the trunk springs, shock towers, or trunk lid.
- Where the speakers come in contact with gas tanks or fuel lines.
- Where the speakers come in contact with the rear window glass, car wall, etc.

We strongly recommend that you read these instructions first before you commence speaker installation. If the instructions appear to be too difficult, or if you lack any of the equipment necessary to finish the job, perhaps it would be more prudent to refer the installation to a qualified, car stereo professional.

**Ease of Installation** - The car manufacturer provides at least two, and possibly four, pre-cut openings in all cars. When only two are provided, one is usually in the rear deck and the other is in the front dash. Provisions for four speakers usually include two rear deck openings and two door or dash openings. A car manufacturer picks speaker locations that simplify installation and fit available spaces. They are not always the best places for sound reproduction.

**Using Factory Openings** - The one advantage to using the factory openings is you avoid having cut sheet metal, as the holes are pre-punched. You normally have only to cut away thin plastic or fiber panels that conceal the openings. Openings near the floor should be avoided if at all possible.

**Be Innovative** - If you're mechanically inclined, remove door panels, dash, side panels, etc., and really get into the basic construction of the car. You'll be amazed at the vast amount of good-to-excellent speaker locations a car can conceal.

**If You Don't Wish to Cut Holes** - Consider the hang-on or surface-mount type of speakers. Just pick a reasonably flat panel, drill a few holes, fasten a few screws, and you're listening to stereo.

### INSTALLING OVAL SPEAKERS IN REAR DECKS OR FLAT SURFACES

Most cars are factory-equipped with speaker openings in the rear deck (package shelf). By examining the underside of this panel, using trunk access, you will probably find at least one (usually two) oval-shaped holes in the steel underliner of the rear deck.

The size of these holes vary with the make of car, but the most common openings are for 6"x9", 5"x7", and 4"x10" speakers. Occasionally, you'll find a 5" or 5-1/4" round hole.

### Selecting the Speaker Location

Use the following guidelines to select the speaker location:

1. Examine the deck panel thoroughly. Observe movement of the trunk springs, trunk lid, support hinges, power antenna, etc. Obviously, you don't want to install a speaker where the arc of a moving trunk support would interfere with the speaker grille. Avoid all areas that might cause interference with the normal functions of the trunk lid and/or antenna assembly.

**CAUTION:** Even professional installers have mounted a speaker and then found out it interfered with some moving part.

2. Check the speakers you have purchased against the existing holes in the steel sub-liner by placing the speaker against the

bottom of the opening and check that the speaker matches the shape of the existing cut-out. Also check that the four speaker mounting holes align with the four existing holes in the steel sub-liner.

### **Cutting Speaker Opening**

Prepare the speaker opening as follows:

**NOTE:** This procedure can also be used for any flat panel install (Wagons, Vans, etc.) that have sufficient space behind the panel for recessing the speaker. (The panel must be removable or accessible from behind.)

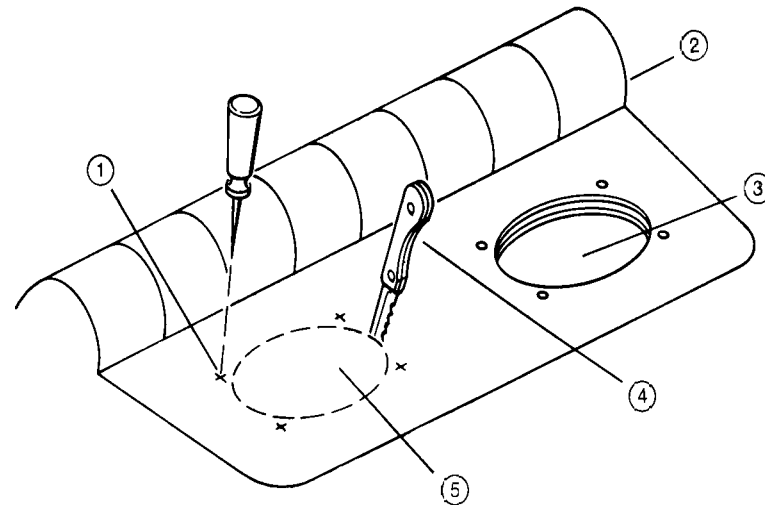
1. Provided that all holes align, place speaker aside and proceed to cut out the oval opening in the fiber panel that covers the existing hole in the steel sub-liner.

**NOTE:** It is easier to cut the opening if you use a sharp serrated steak knife in a sawing motion. Use care not to over-cut the hole size by periodically checking the speaker grille.

2. Once the speaker openings have been cut, pierce the four speaker mounting holes and enlarge them to a diameter of 3/16".

### **Grille Installation**

Inspect the grille included with the speaker. If the grille contains existing threaded studs projecting from it, skip this section. If the grille contains four threaded holes in it, locate the threaded rods included with the speaker and screw them firmly into the holes in the grille. The third grille type contains four holes for use with four screws. Proceed with grille installation as follows:

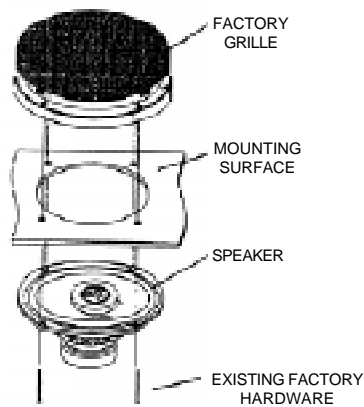


**Speaker Cutting Detail**

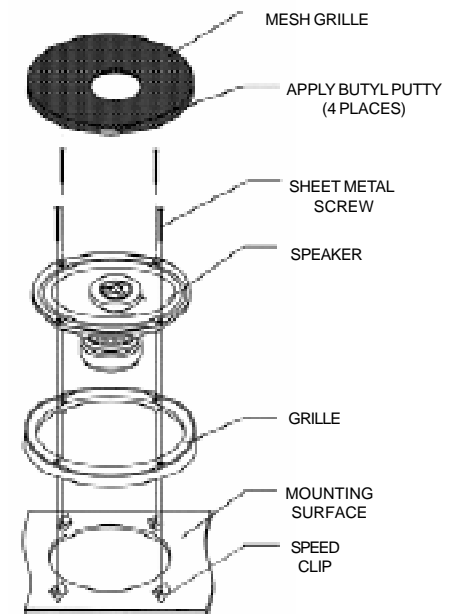
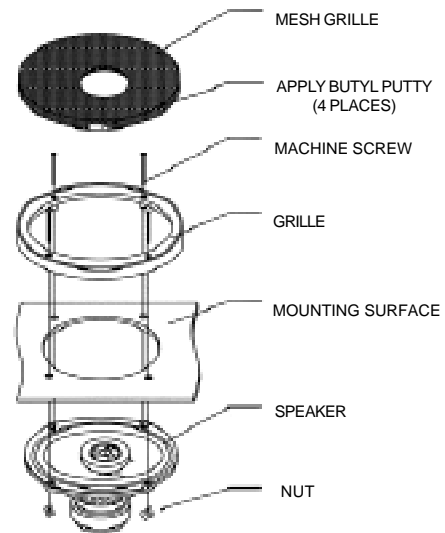
1. Place grille on top of package shelf, allowing the studs to protrude through the holes you previously punched.
2. Place the speaker below the shelf and align it over the four studs of the grille. Secure the speaker using four speed clips included. If the grille requires screws and nuts, insert the screws from the top of the rear deck, and through the grille and speaker; secure grille and speaker with hex nuts.
3. Repeat entire procedure for remaining speaker.
4. Wire speakers per instructions for your stereo system.

### Speaker Mounting Details

The following illustrations define the requirements for mounting the speaker on the near and far sides of the mounting surface or independent mounting board.



FACTORY SPEAKER REPLACEMENT



TYPICAL SPEAKER INSTALLATION



AUDIOVOX CORPORATION (the Company) warrants to the original retail purchaser of this product that should this product or any part thereof, under normal use and conditions, be proven defective in material or workmanship within 12 months from the date of original purchase, such defect(s) will be repaired or replaced with new or reconditioned product (at the Company's option) without charge for parts and repair labor.

To obtain repair or replacement within the terms of this Warranty, the product is to be delivered with proof of warranty coverage (e.g. dated bill of sale), specification of defect(s), transportation prepaid, to the warranty center at the address shown below.

This Warranty does not extend to the elimination of car static or motor noise, to correction of antenna problems, to costs incurred for installation, removal, or reinstallation of the product, or damage to tapes, compact discs, accessories, or vehicle electrical systems.

This Warranty does not apply to any product or part thereof which, in the opinion of the Company, has suffered or been damaged through alteration, improper installation, mishandling, misuse, neglect, accident, or by removal or defacement of the factory serial number/bar code label(s) or markings. THE EXTENT OF THE COMPANY'S LIABILITY UNDER THIS WARRANTY IS LIMITED TO THE REPAIR OR REPLACEMENT PROVIDED ABOVE AND, IN NO EVENT, SHALL THE COMPANY'S LIABILITY EXCEED THE PURCHASE PRICE PAID BY PURCHASER FOR THE PRODUCT.

This Warranty is in lieu of all other express warranties or liabilities. ANY IMPLIED WARRANTIES, INCLUDING ANY IMPLIED WARRANTY OF MERCHANTABILITY, SHALL BE LIMITED TO THE DURATION OF THIS WRITTEN WARRANTY. ANY ACTION FOR BREACH OF ANY WARRANTY HEREUNDER INCLUDING ANY IMPLIED WARRANTY OF MERCHANTABILITY MUST BE BROUGHT WITHIN A PERIOD OF 30 MONTHS FROM DATE OF ORIGINAL PURCHASE. IN NO CASE SHALL THE COMPANY BE LIABLE FOR ANY CONSEQUENTIAL OR INCIDENTAL DAMAGES FOR BREACH OF THIS OR ANY OTHER WARRANTY, EXPRESS OR IMPLIED, WHATSOEVER. No person or representative is authorized to assume for the Company any liability other than expressed herein in connection with the sale of this product.

Some states do not allow limitations on how long an implied warranty lasts or the exclusion or limitation of incidental or consequential damage so the above limitations or exclusions may not apply to you. This Warranty gives you specific legal rights and you may also have other rights which vary from state to state.

**U.S.A. :** AUDIOVOX CORPORATION, 150 MARCUS BLVD., HAUPPAUGE, NY 11788 ● 1-800-645-4994

**CANADA :** CALL 1-800-645-4994 FOR LOCATION OF WARRANTY STATION SERVING YOUR AREA

Form No. 128-4502B

© 2001 Audiovox Electronics Corp., Hauppauge, NY 11788



## Free Manuals Download Website

<http://myh66.com>

<http://usermanuals.us>

<http://www.somanuals.com>

<http://www.4manuals.cc>

<http://www.manual-lib.com>

<http://www.404manual.com>

<http://www.luxmanual.com>

<http://aubethermostatmanual.com>

Golf course search by state

<http://golfingnear.com>

Email search by domain

<http://emailbydomain.com>

Auto manuals search

<http://auto.somanuals.com>

TV manuals search

<http://tv.somanuals.com>