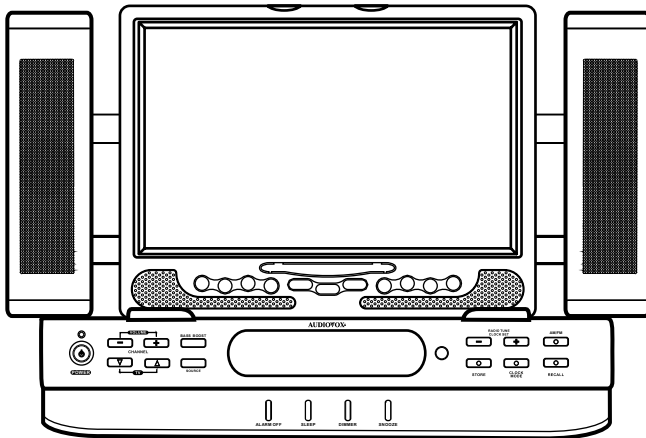




# DTT7810FM

## DESK TOP DOCKING STATION

For DT102, DT85, and DT7



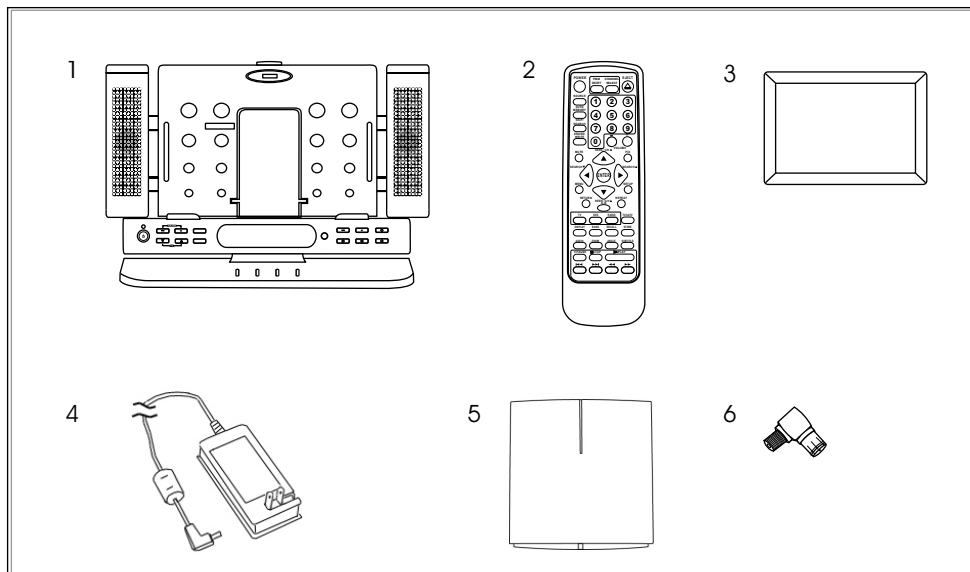
## Operation Manual

128-7349



## Materials Included In This Package

- 1) Tabletop Docking Station for DT102, DT85 & DT7 (P/N: 136-3958) ~ 1pc
- 2) Remote Control (P/N: 136-3956) ~ 1pc
- 3) Picture Frame (P/N: 102-4126) ~ 1pc
- 4) Adaptor AC to DC 100V/240V DC 12V 2.5A (P/N: 112-3542) ~ 1pc
- 5) AM/FM Antenna (P/N: AMFM+BP) ~1pc
- 6) Antenna Adaptor (P/N: 154-1130) ~ 2pc



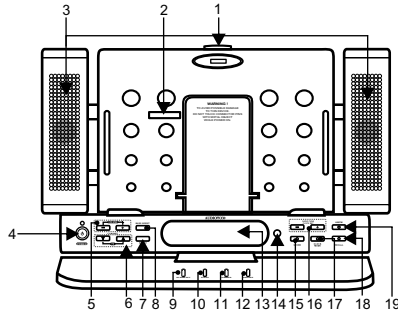
## **Main Features**

---

- **Desk Top Docking Station.**
- **125 Channel Cable Ready TV tuner.**
- **AM/FM Radio.**
- **Alarm Clock.**
- **AV Input**
- **Bass Boost**
- **10 FM and 5 AM Presets**

# Main Features

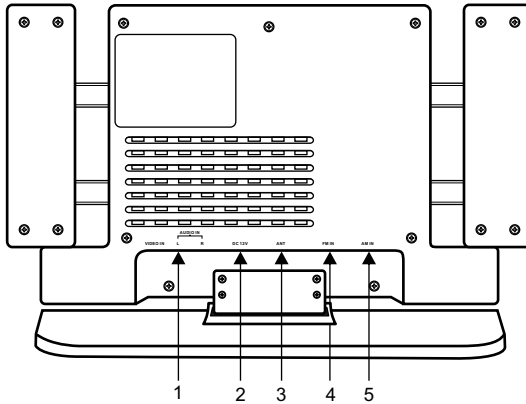
## Front Panel Controls



1. **Release Button** – Press this button to release the shuttle unit.
2. **24 pin Shuttle Interface Connector** – Used to connect the shuttle to the DTT7810FM.
3. **Speakers for Shuttle Models DT102, DT85 and Dt7.**
4. **Power Button** – To turn the DTT7810 FM (ON/OFF)
5. **Volume Up / Down Button** – Used to increase and decrease the volume level.
6. **Channel Up / Down Button** – Used to go to the next channel Up or Down.
7. **Source Button** – Select from the four (4) available sources. DVD > TV > AV > RADIO
8. **Bass Boost Button** – Used to increase the low frequency (bass) response.
9. **Alarm Off Button** – Used to turn off the alarm. The alarm will automatically turn off after one minute
10. **Sleep Button** – Used to set the DTT7810 sleep mode. The unit will turn OFF in 15, 30, 45, 60, 90, or 120 minutes.
11. **Dimmer** – Used to control the brightness of the LCD display.
12. **Snooze** – Used to reset the alarm function for 9 minutes.
13. **LCD Display Window** – The LCD display is used to show the Time, Source selected, and Radio Station.
14. **IR Receiver** – Allows remote control of the DTT7810 and the installed shuttle (DT102, Dt85 or DT7).
15. **Store Button** – Used to set the AM/FM presets into memory.
16. **Radio Tune /**
  - Clock Set** – In Standby mode these buttons are used for setting hours, minutes, and to select from 12 and 24 hour mode.
  - In operation mode these buttons are used for radio tuning Up and Down.
17. **Clock Mode Button** – Used to select the clock or alarm item to be set.
18. **Recall Button** – Used to recall the radio display and select preset stations.
19. **AM / FM Button** – Radio Band selector. (FM1, FM2 and AM)

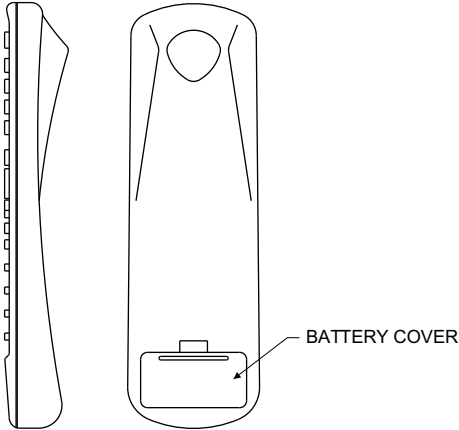
# Main Features

## Back Panel Connections



1. **AV IN** – The shuttle will accept an AV input through the AV jacks located on the rear of the unit. The video device could be a video game system, video camera, or other input device.
  - **VIDEO IN** – Yellow
  - **AUDIO IN (L )** – White
  - **AUDIO IN (R)** – Red
2. **DC 12V** – Connect the supplied AC to DC adapter to this jack. The shuttle is designed for negative ground 12V DC operation.
3. **ANT** – Connect the coaxial cable from an antenna or cable TV system to this jack.
4. **FM IN** – Connect the FM radio antenna to this jack.
5. **AM IN** – Connect the AM radio antenna to this jack.

# Remote Control Operation



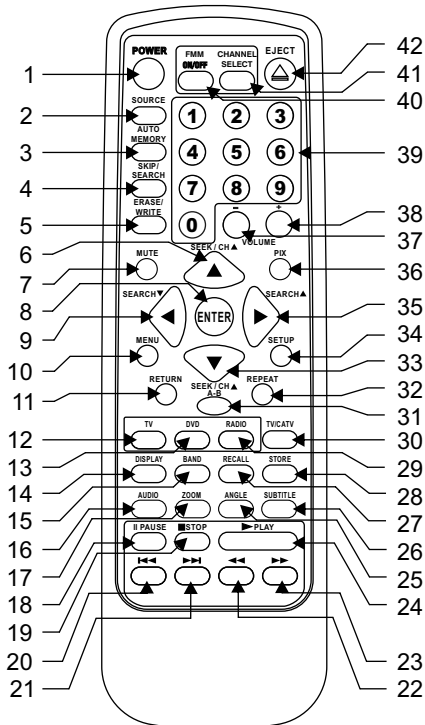
## Battery Installation

Before attempting to operate your Remote Control, install the batteries as described below.

- 1) Turn the Remote Control face down. Using a fingernail, lift the battery cover off.
- 2) Install two "AAA" batteries. Make sure that proper polarity (+ or -) is observed.
- 3) Align the cover tabs with the remote control and press down until the cover clicks.

The remote control will operate the VDS102T and Audiovox shuttle models (DT102, DT85 or DT7) It is not a universal remote control and will not control equipment from other

# Remote Control Function Descriptions



\* Function control is available on the unit and the remote control.

\*\* Used only when Shuttle (DT102, DT85 or DT7) is installed.

**1. POWER Button\***

Press this button to turn the DTT7810FM ON.

Press the button again to turn the DTT7810FM OFF.

**2. SOURCE Button\***

Use to select one of the four sources (DVD, TV, AV, and Radio)

**3. AUTO MEMORY Button  
(AUTO PROGRAM Button)\*\***

When the AUTO MEMORY button is pressed, all channels are searched and channels that are detected with signals of sufficient levels are automatically stored in memory.

**4. SKIP / SEARCH Button\*\***

This button selects between SKIP ON and SKIP OFF mode. In "SKIP mode" the TV tuner will only stop on channels that are programmed into memory. In SKIP OFF mode the TV will stop on all active channels.

**5. ERASE / WRITE Button\*\***

While tuned to a channel, pressing this button will store or erase the channel from memory.

The word "ADD" and the stored channel numbers are displayed in "GREEN". The word "ERASE" and the erased channel numbers are displayed in "RED".

**6. SEEK / CHANNEL UP (▲) Button\*\***

Use this button to increase the TV channel number or radio station to the desired channel and to scroll upward in menu options.

**7. MUTE Button**

Press this button to mute the audio.

Pressing the button again restores the sound to the previously set level.

**8. ENTER Button\*\***

Used to implement a selected setting or menu option.

**9. LEFT (◀) Button\*\***

Allows the user to shift left in the menu options.

-Or-

**SEARCH(▼) Button\*\***

When this button is pressed radio stations are searched in descending order and the tuner will stop on the next active channel

**10. MENU Button\*\***

Allows the user to access the DVD root.

**11. RETURN Button\*\***

Not used in this model.

**12. TV Mode Select Button\*\***

Switches certain function keys on the remote control to TV functions.

**13. DVD Mode Select button\*\***

Switches certain function keys on the remote control to DVD functions.

**14. DISPLAY Button\*\***

Press to display the current DVD disc information.  
or radio station



**15. BAND Button\*\***

Used to select the desired radio band (FM1/FM2/AM)

**16. AUDIO Button\*\***

Press this button to display and select the desired AUDIO language. Each time the button is pressed, the language or track changes.

**NOTE:** The languages & tracks you can select vary from disc to disc.

**17. ZOOM Button \*\***

Press this button to enlarge the picture.

**18. PAUSE( || )Button\*\***

Allows the user to pause the playback. Pressing the pause button again will put the DVD player in step ( || ▶ ) mode allowing frame by frame playback. Press PLAY to return to normal playback

**19. STOP( ■ )Button\*\***

Disc playback will be stopped.

**20. PREVIOUS(⏮)Button\*\***

Allows the user to return to the previous chapter or track.

**21. NEXT(⏭)Button\*\***

Allows the user to skip to the next chapter or track.

**22. REV(⏪)Button\*\***

Allows the user to search in a backward direction at 2, 4, 8, and 20 times the normal speed.

**23. FWD ( ⏩ ) Button\*\***

Allows the user to search in a forward direction at 2, 4,8, and 20 times the normal speed.

**24. PLAY ( ▶ )Button\*\***

Press this button to activate the play mode when a disc is loaded into the disc compartment.

**25. ANGLE Button\*\***

Press this button to display and select the available camera angles. Each time the button is pressed the angle will change.

**NOTE:** The number of angles vary from disc to disc.

**26. SUBTITLE Button\*\***

Press this button to display and select the available subtitle language in DVD mode. Each time the button is pressed, the subtitle language changes.

**NOTE:** The type & number of languages for subtitles vary from disc to disc.

**27. RECALL Button\*\***

Used to recall the radio display and select preset stations.

**28. STORE Button**

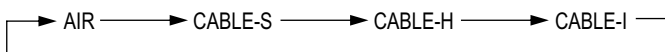
Used to store radio presets into memory.

**29. RADIO Button**

Switches certain function keys on the remote to radio functions..

**30. TV/CATV Button**

Use this button to select regular (AIR) 69-channel broadcast TV or 125-channel cable TV (standard Cable, HRC cable, or IRC cable). As the button is pressed, the on-screen display will cycle as follows:



**31. A-B Button**

Allow the user to repeat playback of a DVD or CD from point A to point B.

**32. REPEAT Button\*\***

Allows the user to repeat a chapter, title, track, or all of a DVD, CD or MP3.

**33. SEEK / CHANNEL DOWN (▼) Button**

Use this button to decrease the TV channel number or radio station to the desired channel and to scroll downward in the menu options.

**34. SETUP Button\*\***

Allows the user to access the DVD setup menu and select various playback options (Display, OSD Language, Defaults, Parental Control, Password, Exit Setup).

**35. RIGHT (▶) Button\*\***

Allows the user to shift to the right in the menu options.

-Or-

**SEARCH(▲) Button\*\***When this button is pressed radio stations are searched in ascending order and the tuner will stop on the next active channel.

**36. PIX Button (PICTURE SELECT)\*\***

Each time this button is pressed, the OSD will display the "adjustment bars" for BRIGHTNESS, CONTRAST, COLOR or TINT. Once the desired adjustment bar is displayed, use the VOLUME UP/DOWN buttons to adjust the setting. The display will automatically turn off if no adjustments are made within 6 seconds, or if any other button is pressed.

**37. VOLUME (-) Button**

Press this button to decrease the volume level.

**38. VOLUME (+) Button**

Press this button to increase the volume level.

**39. NUMERIC KEYPAD**

Allows the user to directly access specific TV channels, enter a parental control password and select a specific track or chapter.

**40. FMM ON/OFF**

*Not Used On This Model*

**41. CHANNEL SELECT Button\*\***

*Not Used On This Model*

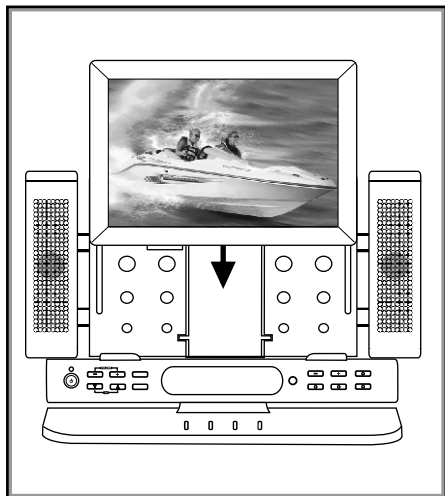
**42. EJECT (▲) Button\*\***

Used to eject the disc.

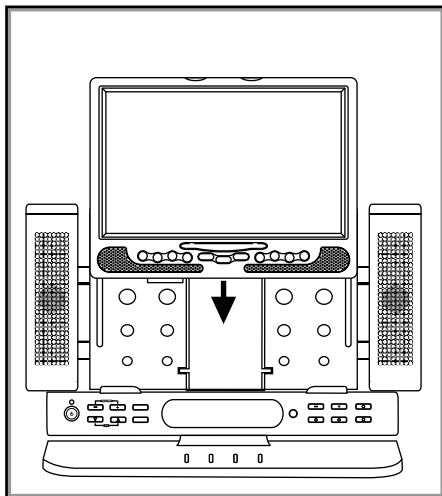
## TV / Radio Desk Top Docking Stereo System

The Ideal Shuttle companion. This Docking System has been designed exclusively for the Shuttle models (DT102, DT85, DT7) with built-in TV Tuner, AM/FM Radio, Clock, and Alarm. The DTT7810FM can be placed anywhere in your home or office.

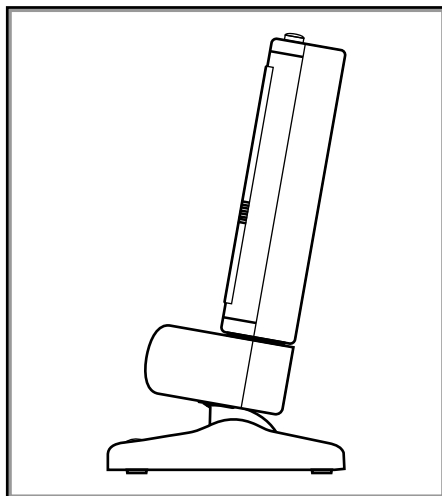
### ***As a Picture Frame***



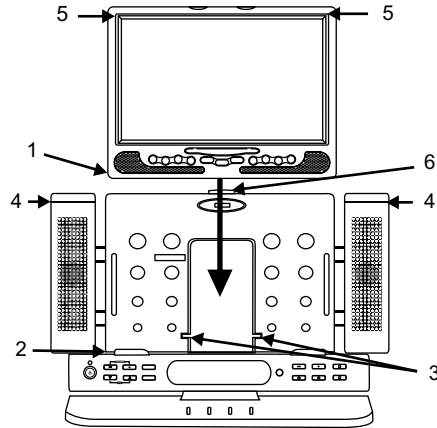
### ***Docking With Shuttle Models***



### ***Side View***



## Installing the shuttle (DT102, DT85 and DT7) into the DTT7810FM



**NOTE:** Be sure to turn the DTT7810FM OFF before installing the shuttle.

- 1.) Insert the bottom part of the shuttle (#1) into the lower part of the docking station (#2).
- 2.) Center the shuttle in the docking station. There are two tabs on the rear of the shuttle that will line up with the two recessed areas on the docking station (#3).
- 3.) Place your fingers behind the top of the DTT7810FM speakers (#4) and press the upper corners of the shuttle (#5) with your thumbs until the shuttle locks into the docking station and a click is heard.

## Removing the shuttle from the DTT7810FM

**NOTE:** Be sure to turn the DTT7810FM OFF before removing the shuttle.

- 1.) Press the release button (#6) located on the top of the DTT7810FM. The top portion of the shuttle will move slightly forward.
- 2.) With both hands tilt the top portion of the shuttle forward while lifting the shuttle out of the docking station.

# System Panel Controls

## DTT7810 Operation

### SETTING THE CLOCK:

NOTE: All settings are preformed in standby mode.

#### **1. Selecting 12 or 24 hour display mode:**

- a.) Press the "clock mode" button once. The 12H/24H and AM/PM indicator will flash.
- b.) Press the "radio tune/clock set" (-) or (+) button to toggle between 12 or 24 hour modes.

#### **2. Setting the time:**

- a.) Press the "clock mode" button twice. The hours and minutes will flash.
- b.) Press the "radio tune/clock set"(-) button to set the hour. This will also set AM/PM.
- c.) Press the "radio tune/clock set"(+) button to set the minutes.

#### **3. Selecting the alarm type:**

- a.) Press the "clock mode" button three times. The alarm indicator will flash.
- b.) Press the "radio tune/clock set" (-) or (+) button to toggle between the three alarm options (Alarm/Radio and OFF). A musical note will appear to indicate the radio has been selected. A bell will appear to indicate the alarm tone has been selected. If the alarm OFF mode is selected there will be no indicator displayed

#### **4. Setting the alarm time:**

- a.) Press the "clock mode" button four times. The alarm indicator will be displayed and the hours and minutes will flash.
- b.) Press the "radio tune/clock set" (-) button to set the hour. This will also set AM/PM.
- c.) Press the "radio tune/clock set" (+) button to set the minutes.

**Note:** *During any of the setting procedures if no buttons are pressed for four (4) seconds the DTT7810FM will go back to standby mode.*

### OPERATION SELECTION:

**Note:** *The DTT7810 default source is the DVD shuttle. When power is turned OFF the DTT7810FM will default to the DVD shuttle.*

### **SOURCE SELECTION:**

- 1. DVD mode** – When power is turned ON the DTT7810FM will be in DVD mode. When one of the DVD shuttles is installed it will power ON a moment after the DTT7810FM is turned ON.
- 2. TV mode** – Press the "Source" button once.  
– The DTT7810FM will be in TV tuner mode.
- 3. AV mode** – Press the "Source" button twice.  
– The DTT7810FM will be in AV mode. Any A/V source connected to the AV inputs on the rear of the unit will be displayed.
- 4. Radio mode** – Press the "Source" button three times.  
– The DTT7810FM will be in Radio mode. The unit will be in the last band that was selected (FM1, FM2, or AM)

# Screen And System Panel Controls

## RADIO MODE:

**AM / FM** – Press the source button until “Radio” appears on the display.  
Press the “Radio Band” button to select the following: ( AM, FM1 and FM2)

**Tune Radio Channel** – Press the “Radio Tune” button either Up (+) or Down (-) to manually tune through the frequencies. “-” Button to decrease the radio frequency and the “+” button to increase the radio frequency.

## Storing a Radio station in memory

- 1.) Press the “Recall” button. (The station number will be displayed on the LCD display) Press the “Recall” button again and “preset 1” will be displayed.
- 2.) Press the “Radio Tune” button to select the desired radio station
- 3.) Press the “Store” button to enter the station into memory.  
“Memo” will be displayed on the LCD display to indicate the channel has been stored in memory.  
–To store the next radio station in memory follow steps 1-3 above. Press the “Recall” Button until the desired preset number is displayed.  
A maximum of 5 presets are available for each radio band (AM,FM1 and FM2).

**Seek Tuning** – Press and hold the Radio Tuner Up (+) or Down (-) button for 2 seconds to start seek tuning . The DTT7810FM will search for and stop on the next active station.

**Accessing Preset Stations** – Pressing the “Recall” button repeatedly to access the available presets.

**Manual Tuning** – Press the Radio Tune Up (+) or Down (-) button repeatedly to manually tune to the desired station.

**NOTE:** Consult the owners manual supplied with your shuttle (DT102, DT85, DT7) product for complete DVD operating instructions.

## Troubleshooting

PROBLEM	SOLUTION
The DVD Player will not play	<ul style="list-style-type: none"> <li>● Make sure the AV IN/OUT switch on the side of the player is in the OUT position for standard play.</li> <li>● Check the type of disc. This DVD Player only plays DVD's, Audio CDs and MP3s.</li> <li>● Make sure that the shuttle is installed correctly.</li> <li>● Make sure the correct source (DVD) has been selected.</li> </ul>
There is no sound from the Speakers	<ul style="list-style-type: none"> <li>● Make sure the system settings are correct.</li> <li>● Make sure the volume is turned UP.</li> <li>● Make sure the sound setup of the DVD is correct.</li> <li>● Is the disc dirty or warped? Clean or replace disc.</li> <li>● Make sure no headphones are plugged into the headphone jack.</li> </ul>
There is no picture	<ul style="list-style-type: none"> <li>● Make sure the system is turned ON and in the correct video mode.</li> <li>● Make sure your system connections are correct.</li> </ul>
Poor AV performance	<ul style="list-style-type: none"> <li>● Is your disc dirty or warped? Clean or replace disc.</li> </ul>
There is no sound when using wireless headphones	<ul style="list-style-type: none"> <li>● Make sure the IRT switch is set to ON.</li> <li>● Make sure the batteries of the headphones are fresh.</li> </ul>
The remote control does not work	<ul style="list-style-type: none"> <li>● Make sure there aren't any obstructions between the remote control and the DVD Player.</li> <li>● Make sure the you are pointing the remote control at the DVD Player.</li> <li>● Make sure the batteries are inserted correctly (check polarity).</li> <li>● Replace weak batteries.</li> </ul>
The words "Invalid Key" appear on screen	<p>The feature or action cannot be completed at this time because:</p> <ul style="list-style-type: none"> <li>● The disc's software restricts it.</li> <li>● The disc's software doesn't support the feature (e.g., angles)</li> <li>● The feature is not available at the moment.</li> <li>● You've requested a title or chapter number that is out of range.</li> </ul>

## Replacement Parts

---

Remote Control

136-3956





**AUDIOVOX<sup>®</sup>**  
ELECTRONICS CORP.

## **90 DAY LIMITED WARRANTY**

Applies to Audiovox Video Products

AUDIOVOX ELECTRONICS CORP. (the Company) warrants to the original retail purchaser of this product that should this product or any part thereof, under normal use and conditions, be proven defective in material or workmanship within ninety (90) days from the date of original purchase, such defect(s) will be repaired or replaced with reconditioned product (at the Company's option) without charge for parts and repair labor. A game controller, if supplied, is similarly warranted for ninety (90) days.

To obtain repair or replacement within the terms of this Warranty, the product is to be delivered with proof of warranty coverage (e.g. dated bill of sale), specification of defect(s), transportation prepaid, to the Company at the address shown below.

This Warranty does not extend to the elimination of externally generated static or noise, to correction of antenna problems, to costs incurred for installation, removal or reinstallation of the product, or to damage to digital memory cards, discs, speakers, accessories, or electrical systems.

This Warranty does not apply to any product or part thereof which, in the opinion of the Company, has suffered or been damaged through alteration, improper installation, mishandling, misuse, neglect, accident, or by removal or defacement of the factory serial number/bar code label(s). THE EXTENT OF THE COMPANY'S LIABILITY UNDER THIS WARRANTY IS LIMITED TO THE REPAIR OR REPLACEMENT PROVIDED ABOVE AND, IN NO EVENT, SHALL THE COMPANY'S LIABILITY EXCEED THE PURCHASE PRICE PAID BY PURCHASER FOR THE PRODUCT.

This Warranty is in lieu of all other express warranties or liabilities. ANY IMPLIED WARRANTIES, INCLUDING ANY IMPLIED WARRANTY OF MERCHANTABILITY, SHALL BE LIMITED TO THE DURATION OF THIS WRITTEN WARRANTY. ANY ACTION FOR BREACH OF ANY WARRANTY HEREUNDER INCLUDING ANY IMPLIED WARRANTY OF MERCHANTABILITY MUST BE BROUGHT WITHIN A PERIOD OF 24 MONTHS FROM DATE OF ORIGINAL PURCHASE. IN NO CASE SHALL THE COMPANY BE LIABLE FOR ANY CONSEQUENTIAL OR INCIDENTAL DAMAGES FOR BREACH OF THIS OR ANY OTHER WARRANTY, EXPRESS OR IMPLIED, WHATSOEVER. No person or representative is authorized to assume for the Company any liability other than expressed herein in connection with the sale of this product.

Some states do not allow limitations on how long an implied warranty lasts or the exclusion or limitation of incidental or consequential damage so the above limitations or exclusions may not apply to you. This Warranty gives you specific legal rights and you may also have other rights which vary from state to state.

**U.S.A. :** AUDIOVOX Electronics CORPORATION, 150 MARCUS BLVD., HAUPPAUGE, NEW YORK 11788  
● 1-800-645-4994

**CANADA :** CALL 1-800-645-4994 FOR LOCATION OF WARRANTY STATION SERVING YOUR AREA

© 2005 Audiovox Electronics Corporation

128-5556E



## Free Manuals Download Website

<http://myh66.com>

<http://usermanuals.us>

<http://www.somanuals.com>

<http://www.4manuals.cc>

<http://www.manual-lib.com>

<http://www.404manual.com>

<http://www.luxmanual.com>

<http://aubethermostatmanual.com>

Golf course search by state

<http://golfingnear.com>

Email search by domain

<http://emailbydomain.com>

Auto manuals search

<http://auto.somanuals.com>

TV manuals search

<http://tv.somanuals.com>